

US00D660313S

(12) **United States Design Patent**
Williams et al.

(10) **Patent No.:** **US D660,313 S**
(45) **Date of Patent:** **** May 22, 2012**

(54) **DISPLAY SCREEN PORTION WITH USER INTERFACE**

(75) Inventors: **Matthew T. Williams**, Seattle, WA (US);
Iain A. Kennedy, Seattle, WA (US);
James Joel Massey, Issaquah, WA (US);
Isaac W. Oates, Brooklyn, NY (US)

(73) Assignee: **Amazon Technologies, Inc.**, Reno, NV (US)

(**) Term: **14 Years**

(21) Appl. No.: **29/346,042**

(22) Filed: **Oct. 26, 2009**

(51) **LOC (9) Cl.** **32-00**

(52) **U.S. Cl.** **D14/487**

(58) **Field of Classification Search** D14/485-488;
715/700-867

See application file for complete search history.

(56) **References Cited**

U.S. PATENT DOCUMENTS

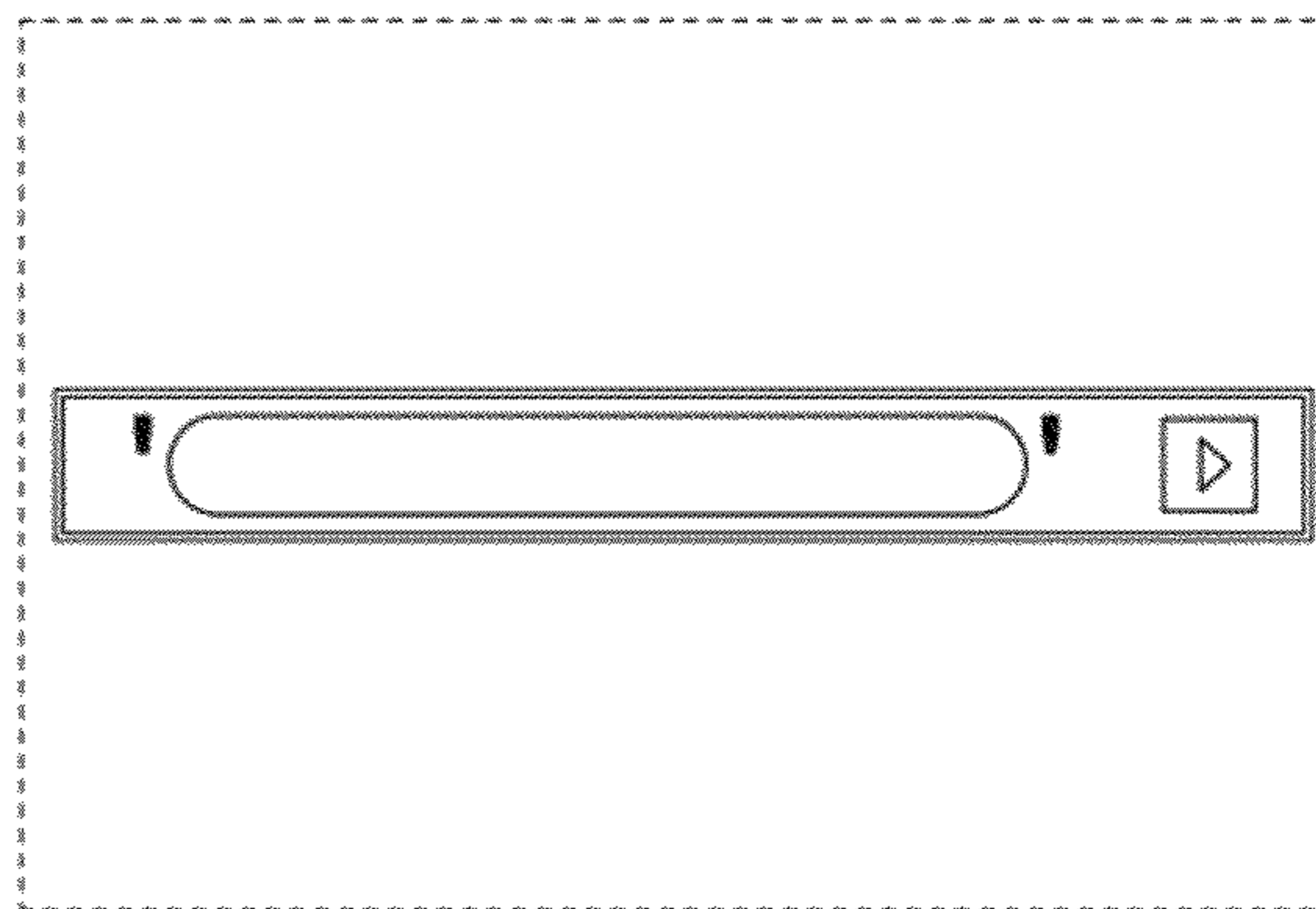
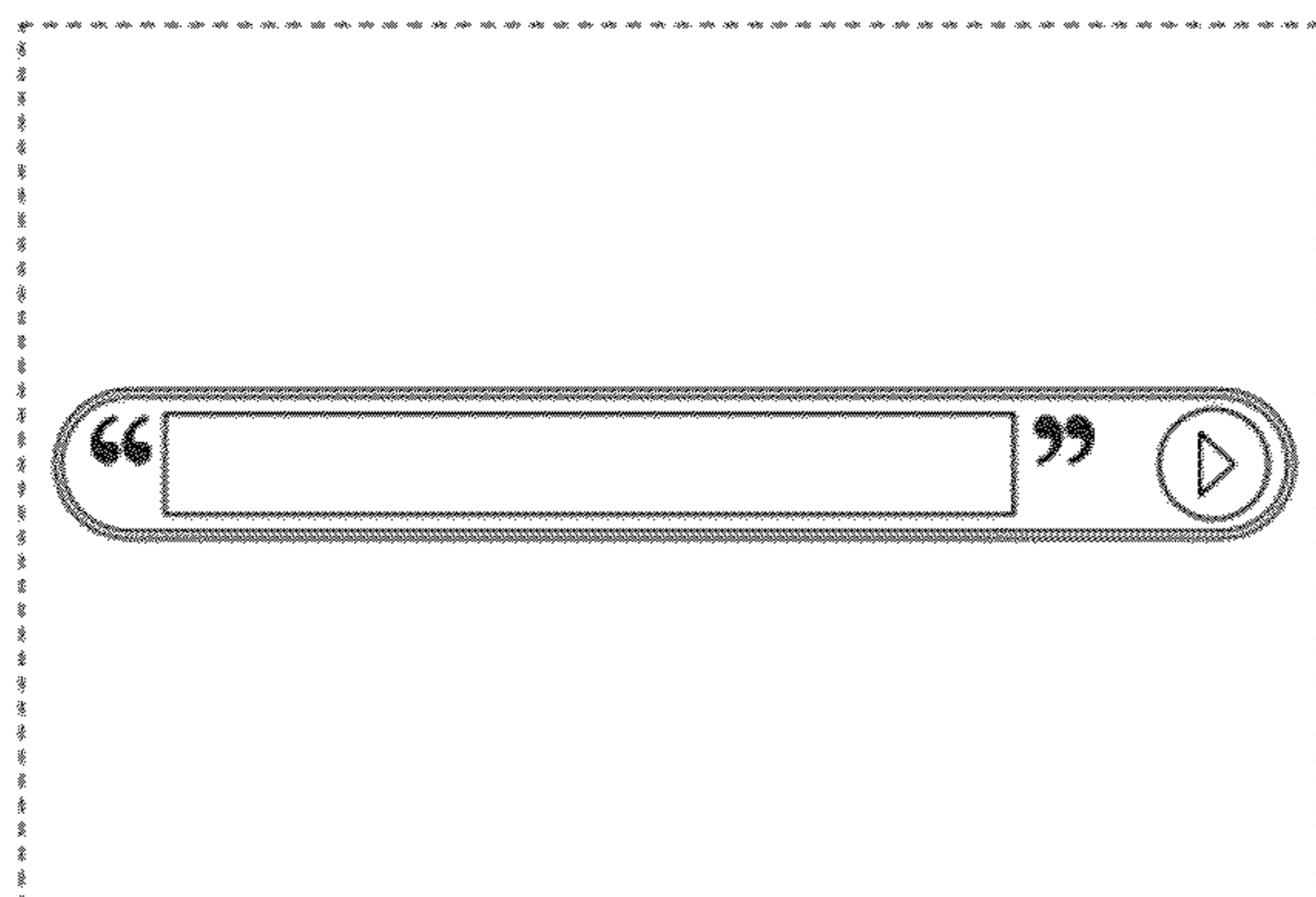
D392,267	S *	3/1998	Mason et al.	D14/491
D392,268	S *	3/1998	Mason et al.	D14/491
D392,269	S *	3/1998	Mason et al.	D14/491
D424,036	S *	5/2000	Arora et al.	D14/487
D425,497	S *	5/2000	Eisenberg et al.	D14/487
D435,561	S *	12/2000	Pettigrew et al.	D14/487
D438,873	S *	3/2001	Wang et al.	D14/486
D439,584	S *	3/2001	Wang et al.	D14/486
D446,790	S *	8/2001	Wang et al.	D14/486
D459,361	S *	6/2002	Inagaki	D14/486
6,538,665	B2 *	3/2003	Crow et al.	715/723
D491,956	S *	6/2004	Ombao et al.	D14/487
D499,740	S *	12/2004	Ombao et al.	D14/487
D501,214	S *	1/2005	Melander et al.	D14/487
D503,720	S *	4/2005	Wasko et al.	D14/487
D508,248	S *	8/2005	Ording	D14/487
D523,871	S *	6/2006	Hally et al.	D14/487
D528,124	S *	9/2006	Hally et al.	D14/487
D528,559	S *	9/2006	Hally et al.	D14/487
D543,991	S *	6/2007	Vigesaa	D14/487
D543,992	S *	6/2007	Vigesaa	D14/487
D544,495	S *	6/2007	Evans et al.	D14/488
7,236,576	B2 *	6/2007	Schnarel et al.	379/142.01

D545,832	S *	7/2007	Armendariz	D14/487
D545,833	S *	7/2007	Armendariz	D14/487
D550,689	S *	9/2007	Vigesaa	D14/487
D576,173	S *	9/2008	Oshiro et al.	D14/486
D578,134	S *	10/2008	Jasinski	D14/486
D582,426	S *	12/2008	Chen et al.	D14/488
D585,453	S *	1/2009	Chen et al.	D14/485
D586,362	S *	2/2009	Horowitz et al.	D14/486
7,490,295	B2 *	2/2009	Chaudhri et al.	715/764
D588,148	S *	3/2009	Stone et al.	D14/485
D588,150	S *	3/2009	Stone et al.	D14/486
D593,110	S *	5/2009	Danton	D14/485
D593,120	S *	5/2009	Bouchard et al.	D14/489
7,546,543	B2 *	6/2009	Louch et al.	715/762
7,571,014	B1 *	8/2009	Lambourne et al.	700/94
D599,373	S *	9/2009	Kobayashi et al.	D14/486
D604,740	S *	11/2009	Matheny et al.	D14/486
D605,657	S *	12/2009	Danton	D14/487
D611,949	S *	3/2010	Fletcher et al.	D14/488
D612,392	S *	3/2010	Bouchard et al.	D14/487
D614,197	S *	4/2010	Casagrande	D14/487
D614,637	S *	4/2010	Mizulo	D14/486
7,747,968	B2 *	6/2010	Brodersen et al.	715/821
D621,844	S *	8/2010	Van Os	D14/485
D621,847	S *	8/2010	Stallings et al.	D14/487
D622,285	S *	8/2010	Stallings et al.	D14/487
D624,928	S *	10/2010	Agnetta et al.	D14/487
D624,929	S *	10/2010	Agnetta et al.	D14/487
D624,930	S *	10/2010	Agnetta et al.	D14/487
D624,931	S *	10/2010	Agnetta et al.	D14/487
D625,316	S *	10/2010	Jewitt et al.	D14/485
D625,322	S *	10/2010	Guntaur et al.	D14/486
D631,889	S *	2/2011	Vance et al.	D14/486
D631,890	S *	2/2011	Vance et al.	D14/487
D631,891	S *	2/2011	Vance et al.	D14/487
7,882,448	B2 *	2/2011	Haug	715/779
D638,026	S *	5/2011	Rechin et al.	D14/487
D649,973	S *	12/2011	Matas	D14/486
2002/0109710	A1 *	8/2002	Holtz et al.	345/723
2004/0100479	A1 *	5/2004	Nakano et al.	345/700
2005/0091272	A1 *	4/2005	Smith et al.	707/104.1
2005/0246654	A1 *	11/2005	Hally et al.	715/779
2007/0033540	A1 *	2/2007	Bridges et al.	715/769
2007/0067738	A1 *	3/2007	Flynt et al.	715/810
2008/0059570	A1 *	3/2008	Bill	709/203
2009/0040875	A1 *	2/2009	Buzescu et al.	368/29
2009/0164923	A1 *	6/2009	Ovi	715/764
2009/0327853	A1 *	12/2009	Dean et al.	715/221

* cited by examiner

Primary Examiner — Deanna Fluegeman

(74) *Attorney, Agent, or Firm* — Thomas, Kayden, Horstemeyer & Risley, LLP



(57)

CLAIM

The ornamental design for a display screen portion with user interface, as shown and described.

DESCRIPTION

A portion of the disclosure of this patent document contains material to which a claim for copyright is made. The copyright owner has no objection to the facsimile reproduction by anyone of the patent document or the patent disclosure, as it appears in the Patent and Trademark Office patent file or records, but reserves all other copyright rights whatsoever.

FIG. 1 is a front view of a first embodiment of a display screen portion with user interface showing our new design.

FIG. 2 is a front view of a second embodiment of a display screen portion with user interface showing our new design.

FIG. 3 is a front view of a third embodiment of a display screen portion with user interface showing our new design.

FIG. 4 is a front view of a fourth embodiment of a display screen portion with user interface showing our new design.

FIG. 5 is a front view of a fifth embodiment of a display screen portion with user interface showing our new design.

FIG. 6 is a front view of a sixth embodiment of a display screen portion with user interface showing our new design.

FIG. 7 is a front view of a seventh embodiment of a display screen portion with user interface showing our new design.

FIG. 8 is a front view of an eighth embodiment of a display screen portion with user interface showing our new design.

FIG. 9 is a front view of a ninth embodiment of a display screen portion with user interface showing our new design.

FIG. 10 is a front view of a tenth embodiment of a display screen portion with user interface showing our new design.

FIG. 11 is a front view of an eleventh embodiment of a display screen portion with user interface showing our new design.

FIG. 12 is a front view of a twelfth embodiment of a display screen portion with user interface showing our new design.

FIG. 13 is a front view of a thirteenth embodiment of a display screen portion with user interface showing our new design.

FIG. 14 is a front view of a fourteenth embodiment of a display screen portion with user interface showing our new design.

FIG. 15 is a front view of a fifteenth embodiment of a display screen portion with user interface showing our new design.

FIG. 16 is a front view of a sixteenth embodiment of a display screen portion with user interface showing our new design.

FIG. 17 is a front view of a seventeenth embodiment of a display screen portion with user interface showing our new design.

FIG. 18 is a front view of an eighteenth embodiment of a display screen portion with user interface showing our new design.

FIG. 19 is a front view of a nineteenth embodiment of a display screen portion with user interface showing our new design.

FIG. 20 is a front view of a twentieth embodiment of a display screen portion with user interface showing our new design.

FIG. 21 is a front view of a twenty-first embodiment of a display screen portion with user interface showing our new design.

FIG. 22 is a front view of a twenty-second embodiment of a display screen portion with user interface showing our new design.

FIG. 23 is a front view of a twenty-third embodiment of a display screen portion with user interface showing our new design.

FIG. 24 is a front view of a twenty-fourth embodiment of a display screen portion with user interface showing our new design.

FIG. 25 is a front view of a twenty-fifth embodiment of a display screen portion with user interface showing our new design.

FIG. 26 is a front view of a twenty-sixth embodiment of a display screen portion with user interface showing our new design.

FIG. 27 is a front view of a twenty-seventh embodiment of a display screen portion with user interface showing our new design.

FIG. 28 is a front view of a twenty-eighth embodiment of a display screen portion with user interface showing our new design.

FIG. 29 is a front view of a twenty-ninth embodiment of a display screen portion with user interface showing our new design.

FIG. 30 is a front view of a thirtieth embodiment of a display screen portion with user interface showing our new design.

FIG. 31 is a front view of a thirty-first embodiment of a display screen portion with user interface showing our new design.

FIG. 32 is a front view of a thirty-second embodiment of a display screen portion with user interface showing our new design.

FIG. 33 is a front view of a thirty-third embodiment of a display screen portion with user interface showing our new design.

FIG. 34 is a front view of a thirty-fourth embodiment of a display screen portion with user interface showing our new design.

FIG. 35 is a front view of a thirty-fifth embodiment of a display screen portion with user interface showing our new design.

FIG. 36 is a front view of a thirty-sixth embodiment of a display screen portion with user interface showing our new design.

FIG. 37 is a front view of a thirty-seventh embodiment of a display screen portion with user interface showing our new design.

FIG. 38 is a front view of a thirty-eighth embodiment of a display screen portion with user interface showing our new design.

FIG. 39 is a front view of a thirty-ninth embodiment of a display screen portion with user interface showing our new design.

FIG. 40 is a front view of a fortieth embodiment of a display screen portion with user interface showing our new design.

FIG. 41 is a front view of a forty-first embodiment of a display screen portion with user interface showing our new design.

FIG. 42 is a front view of a forty-second embodiment of a display screen portion with user interface showing our new design.

FIG. 43 is a front view of a forty-third embodiment of a display screen portion with user interface showing our new design.

FIG. 44 is a front view of a forty-fourth embodiment of a display screen portion with user interface showing our new design.

FIG. 45 is a front view of a forty-fifth embodiment of a display screen portion with user interface showing our new design.

FIG. **46** is a front view of a forty-sixth embodiment of a display screen portion with user interface showing our new design.

FIG. **47** is a front view of a forty-seventh embodiment of a display screen portion with user interface showing our new design; and,

FIG. **48** is a front view of a forty-eighth embodiment of a display screen portion with user interface showing our new design.

The broken lines in the drawings illustrate the unclaimed display screen and unclaimed portions of the user interface and form no part of the claimed design.

1 Claim, 12 Drawing Sheets

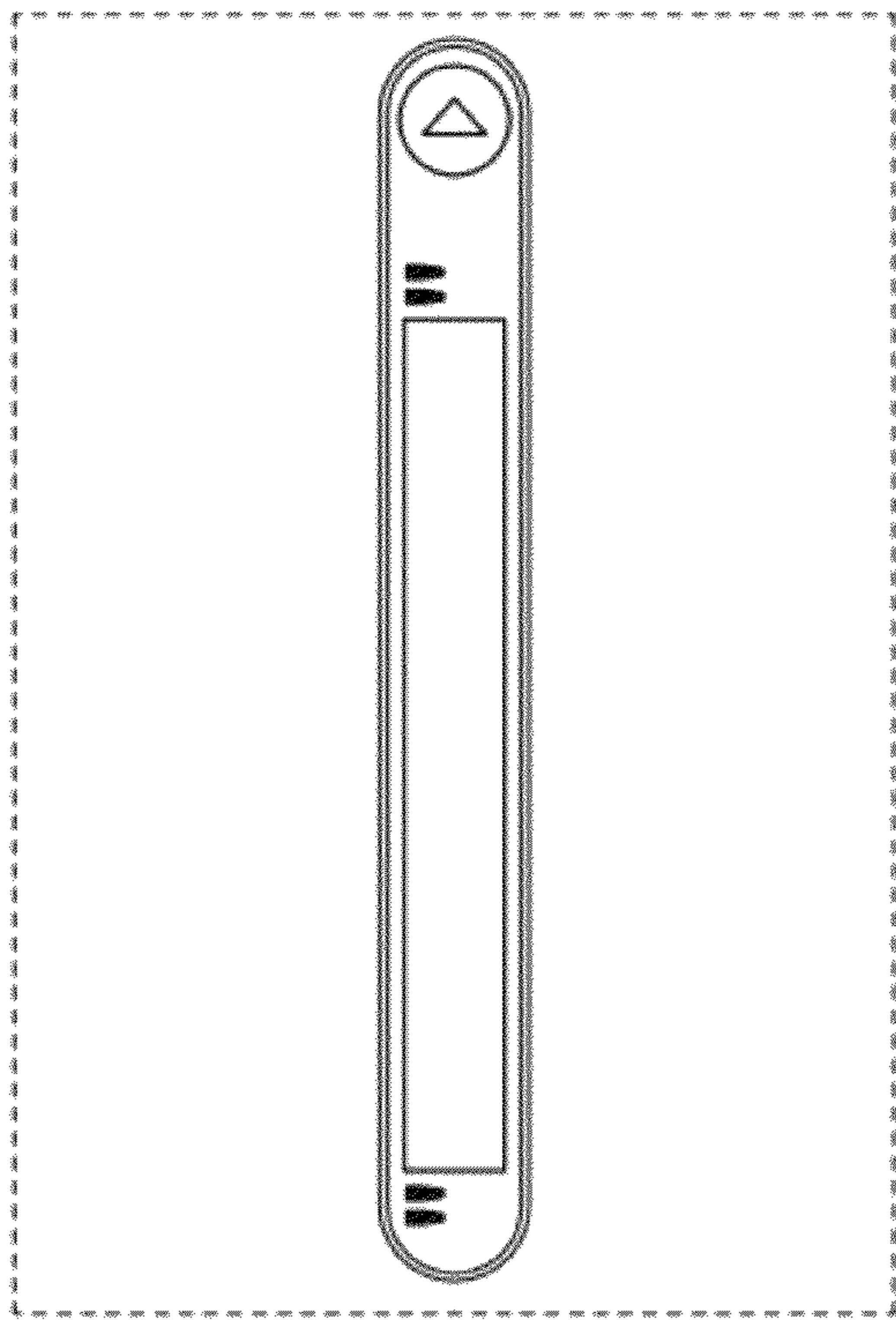


Fig. 2

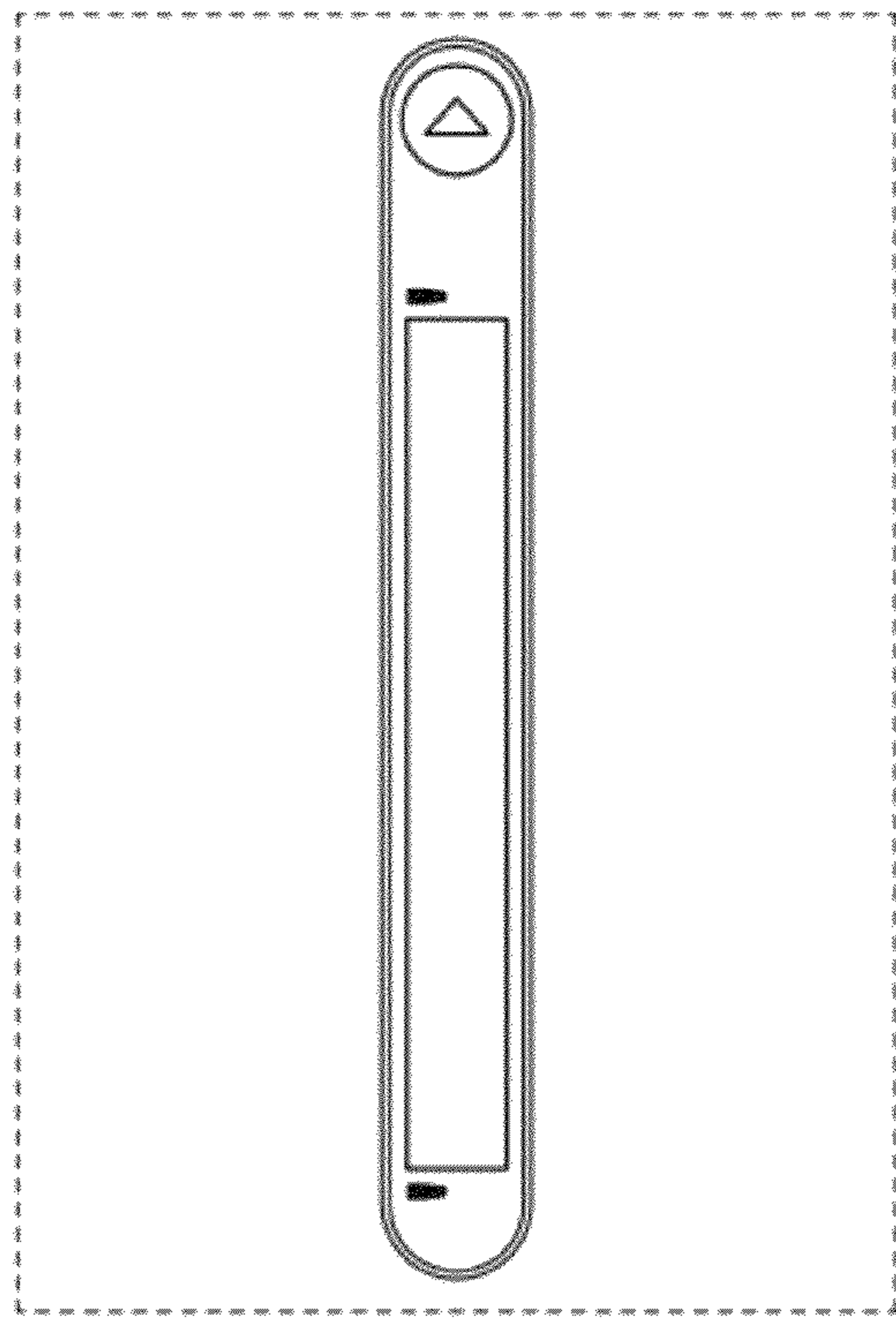


Fig. 4

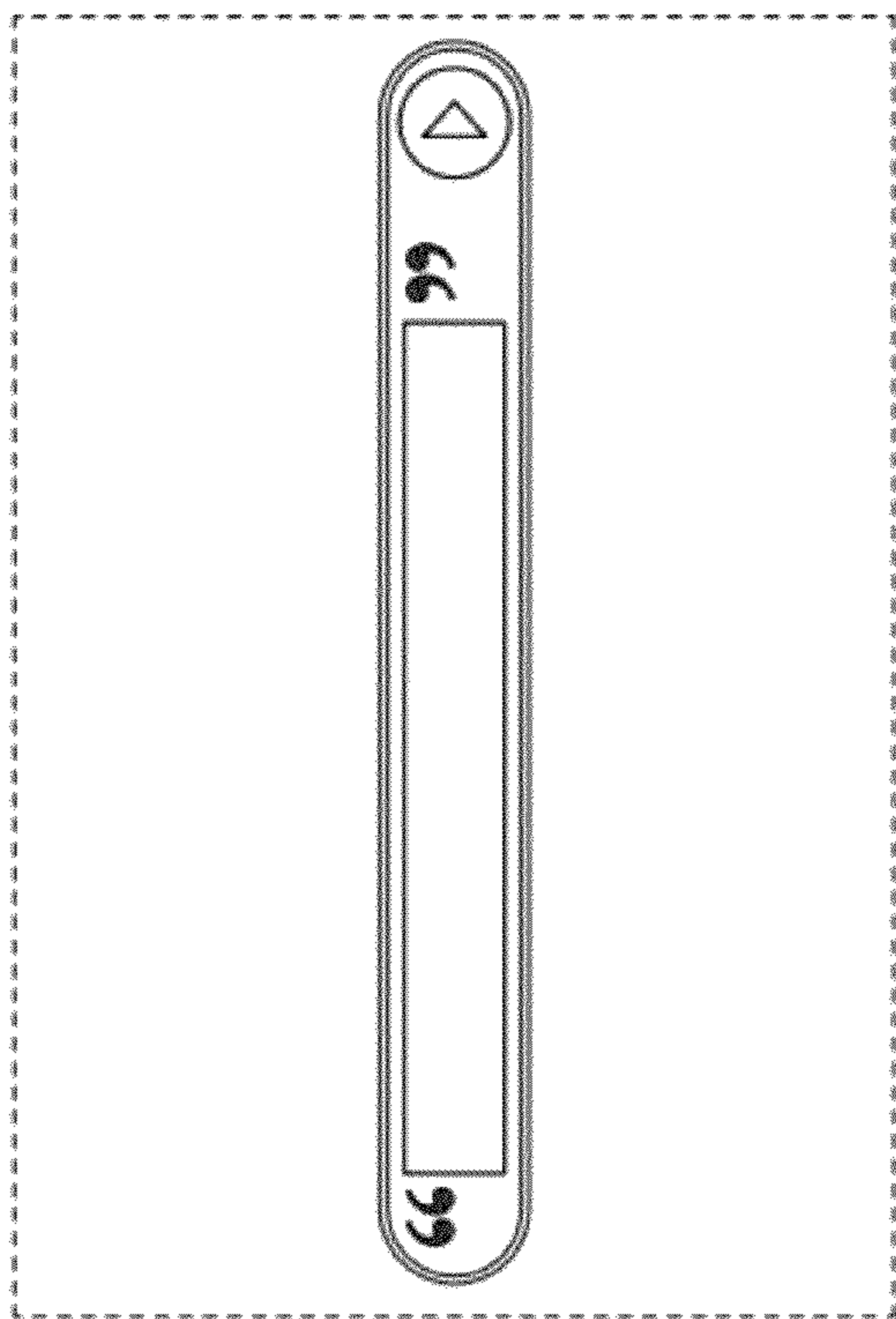


Fig. 1

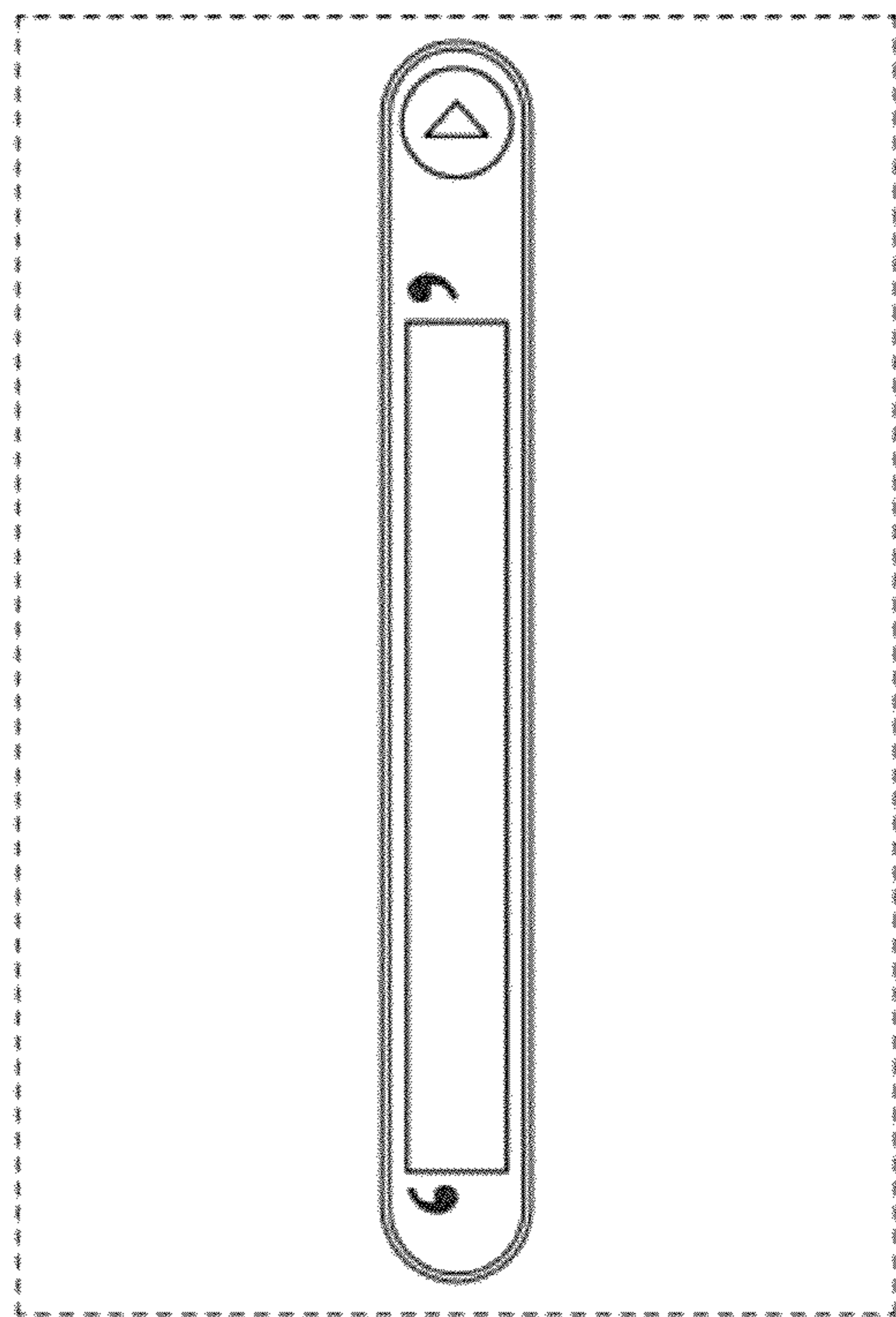


Fig. 3

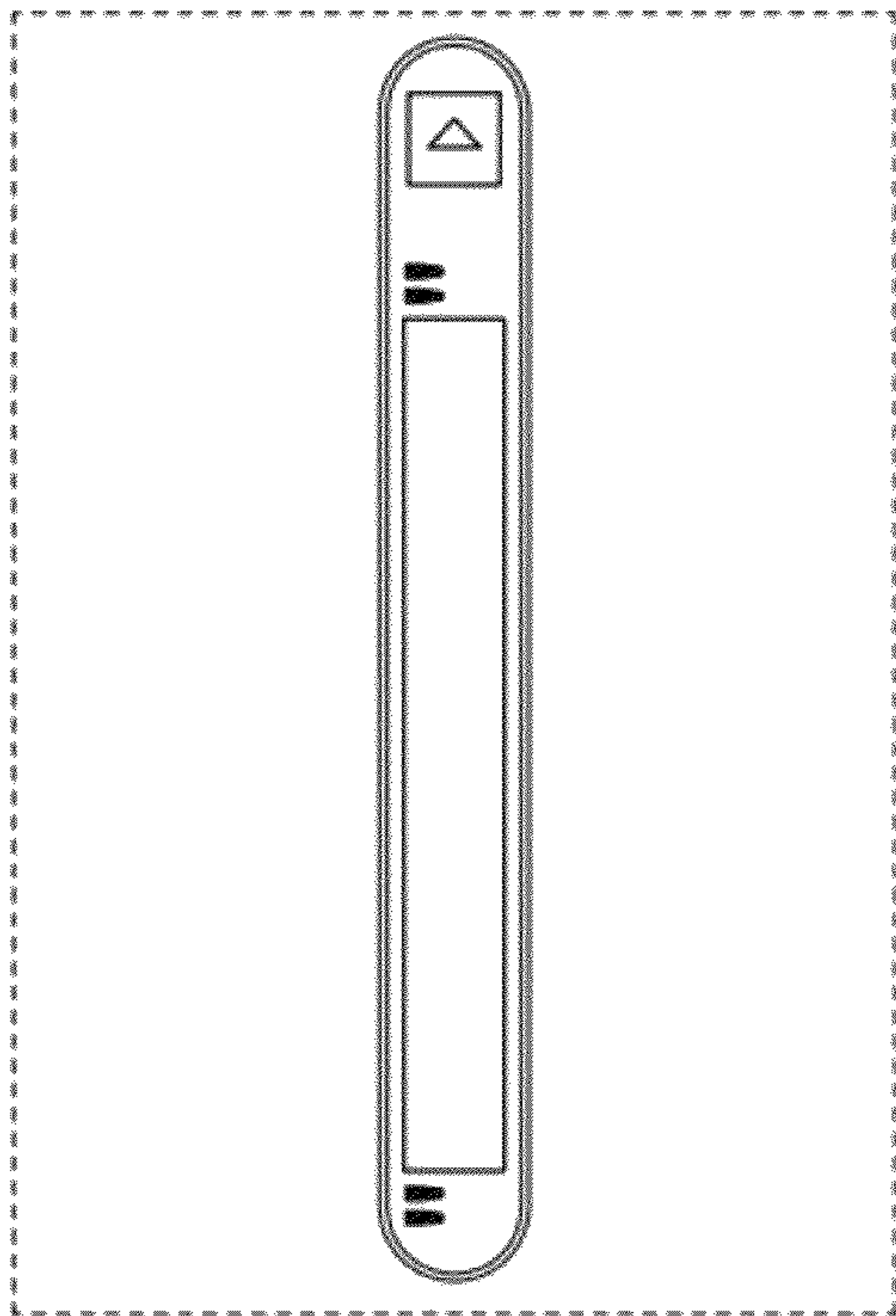


Fig. 6

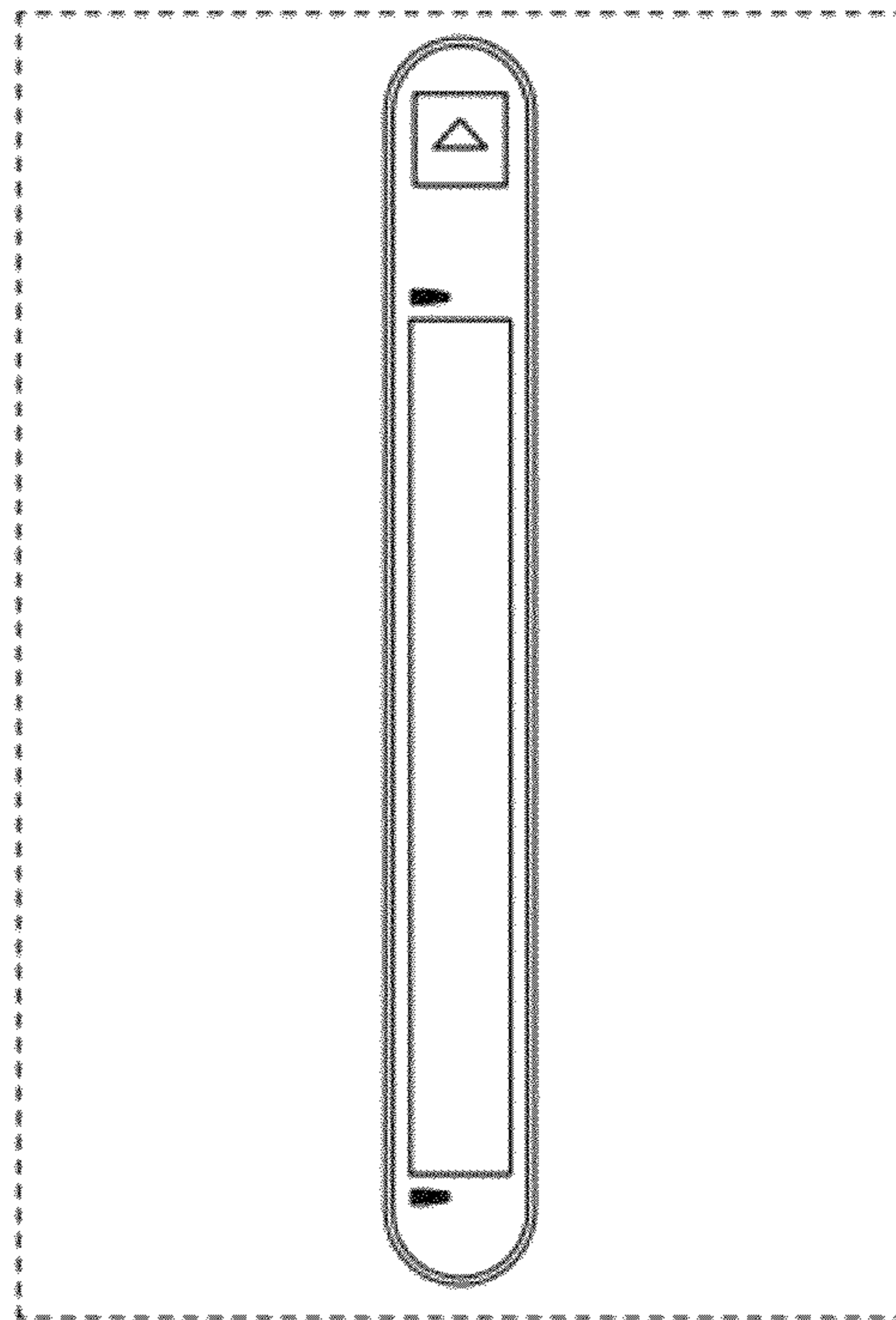


Fig. 8

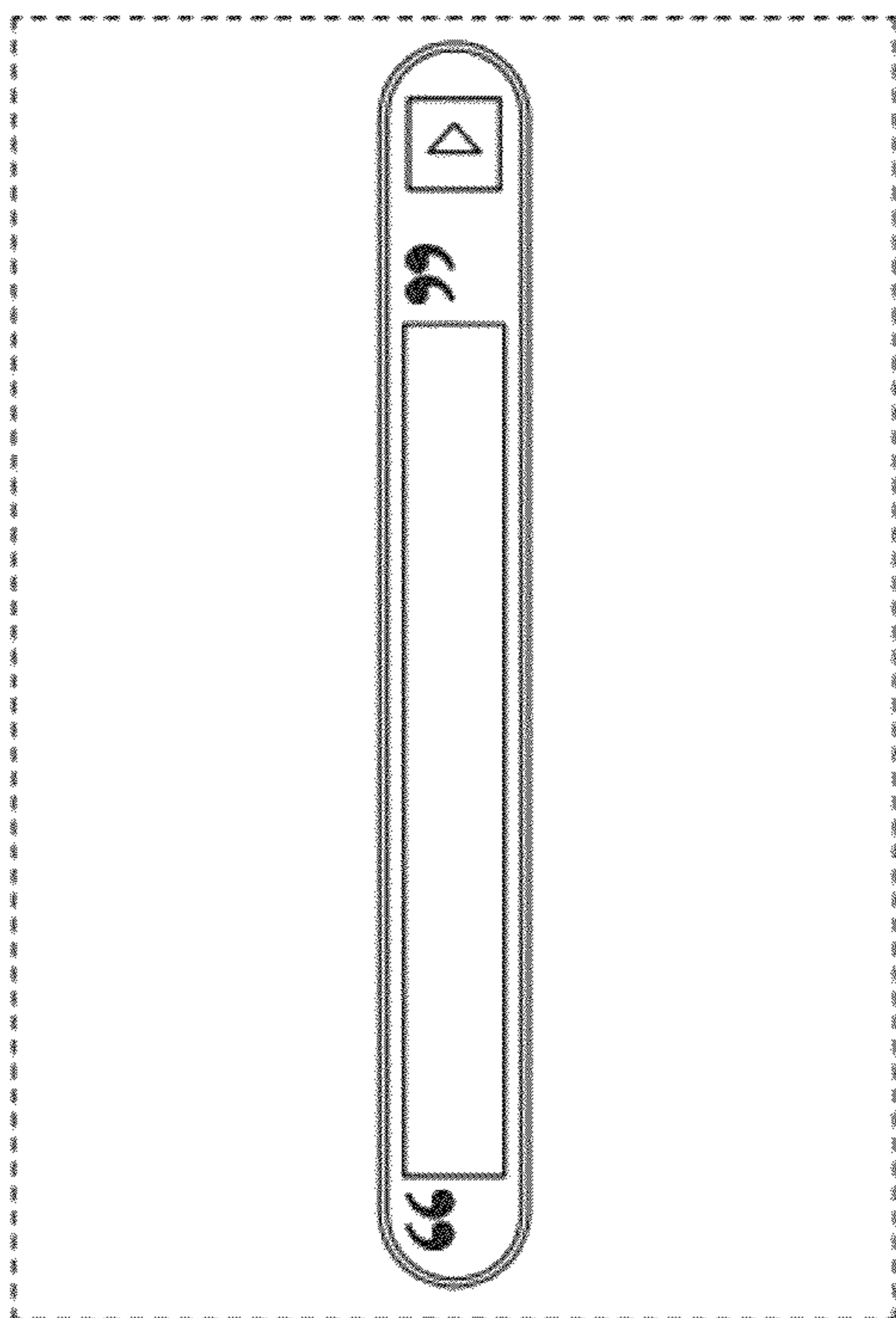


Fig. 5

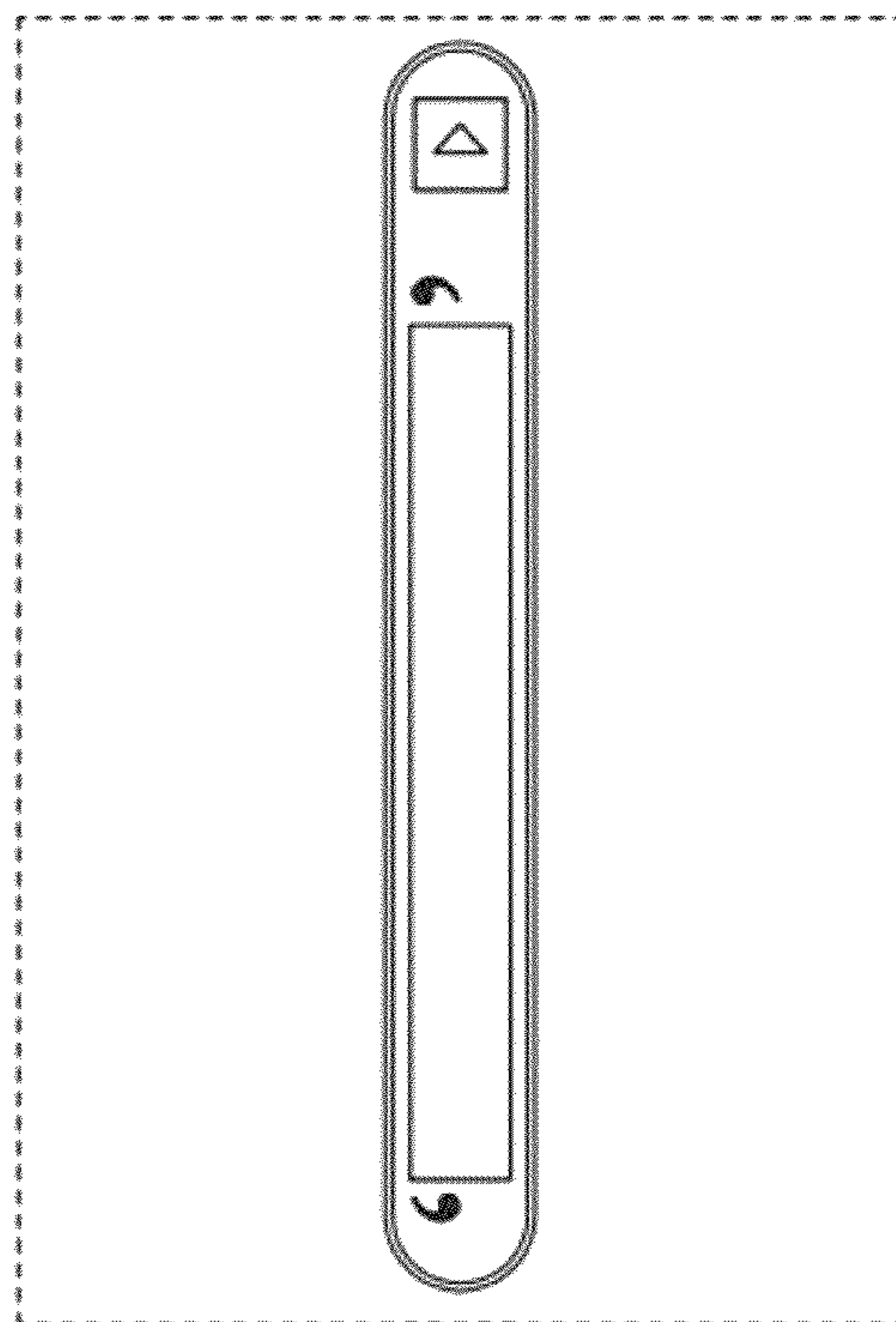


Fig. 7

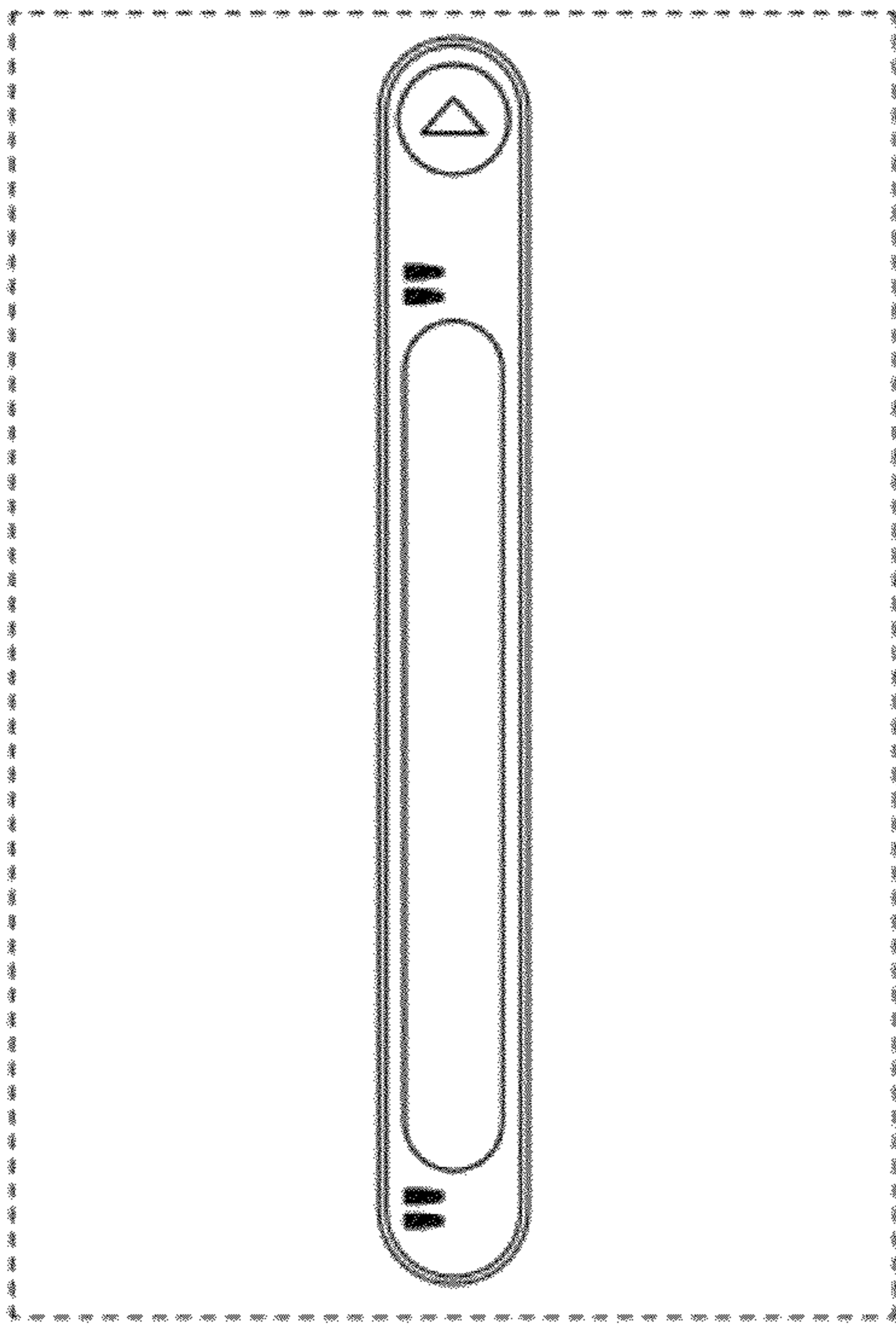


Fig. 9

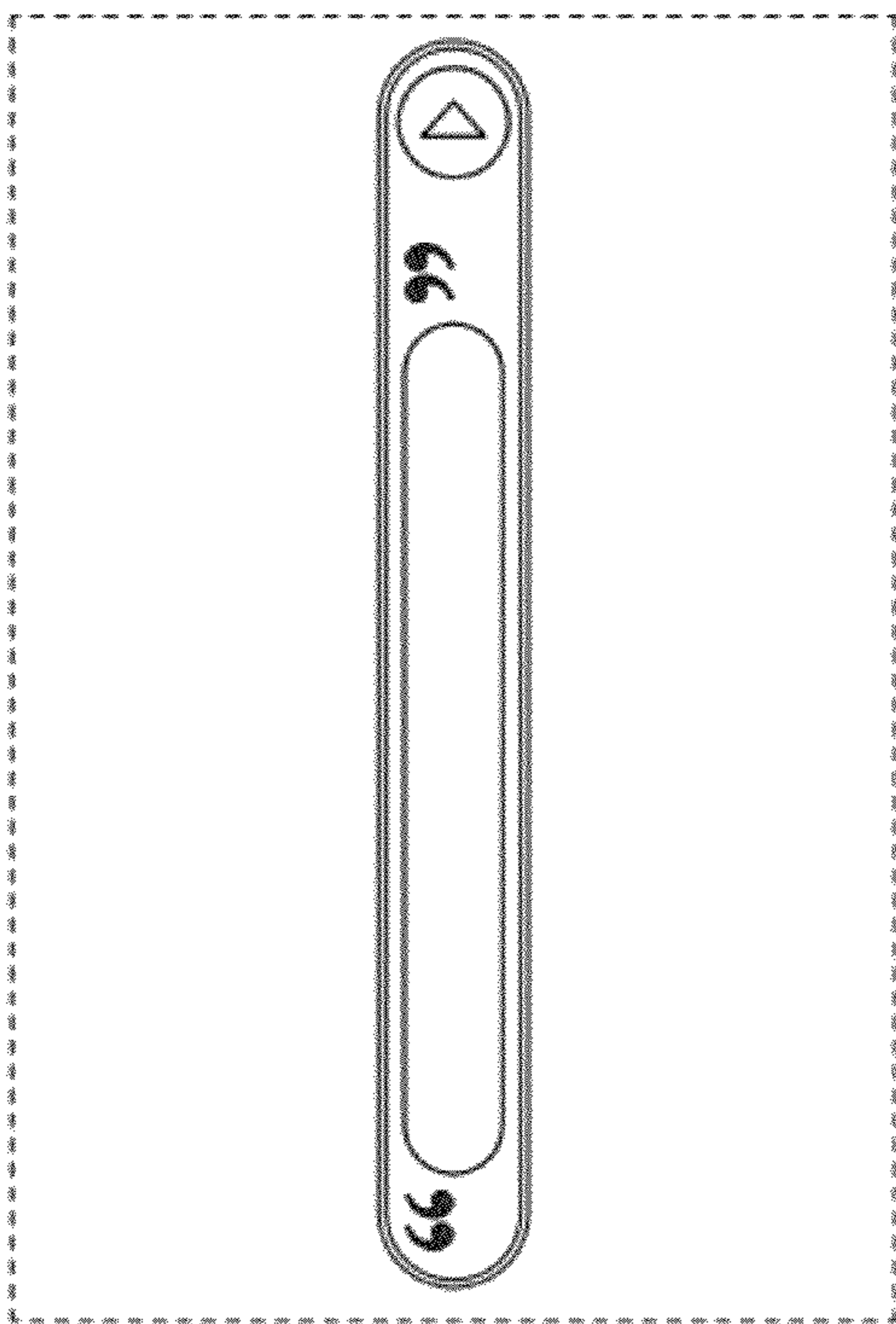


Fig. 10

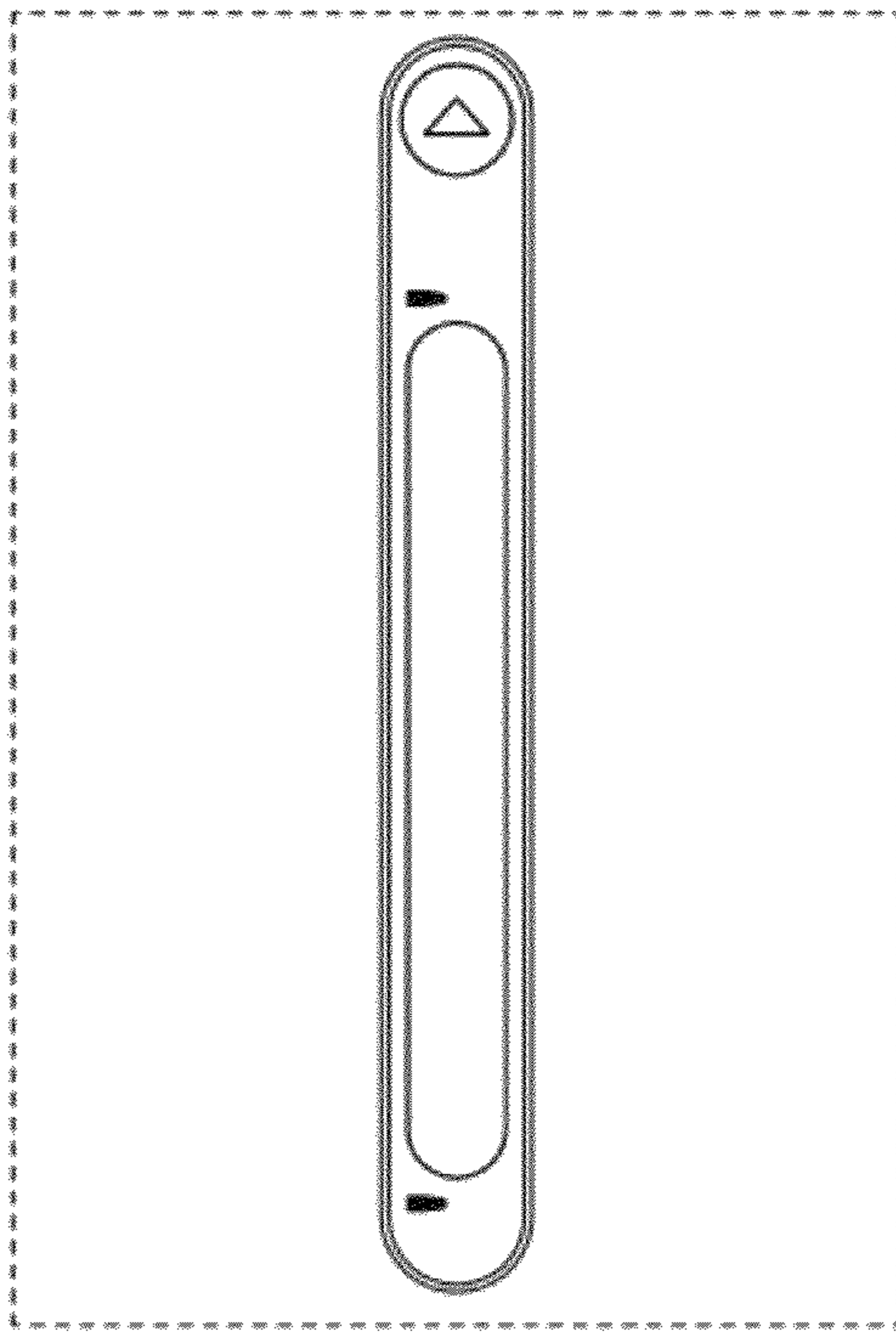


Fig. 11

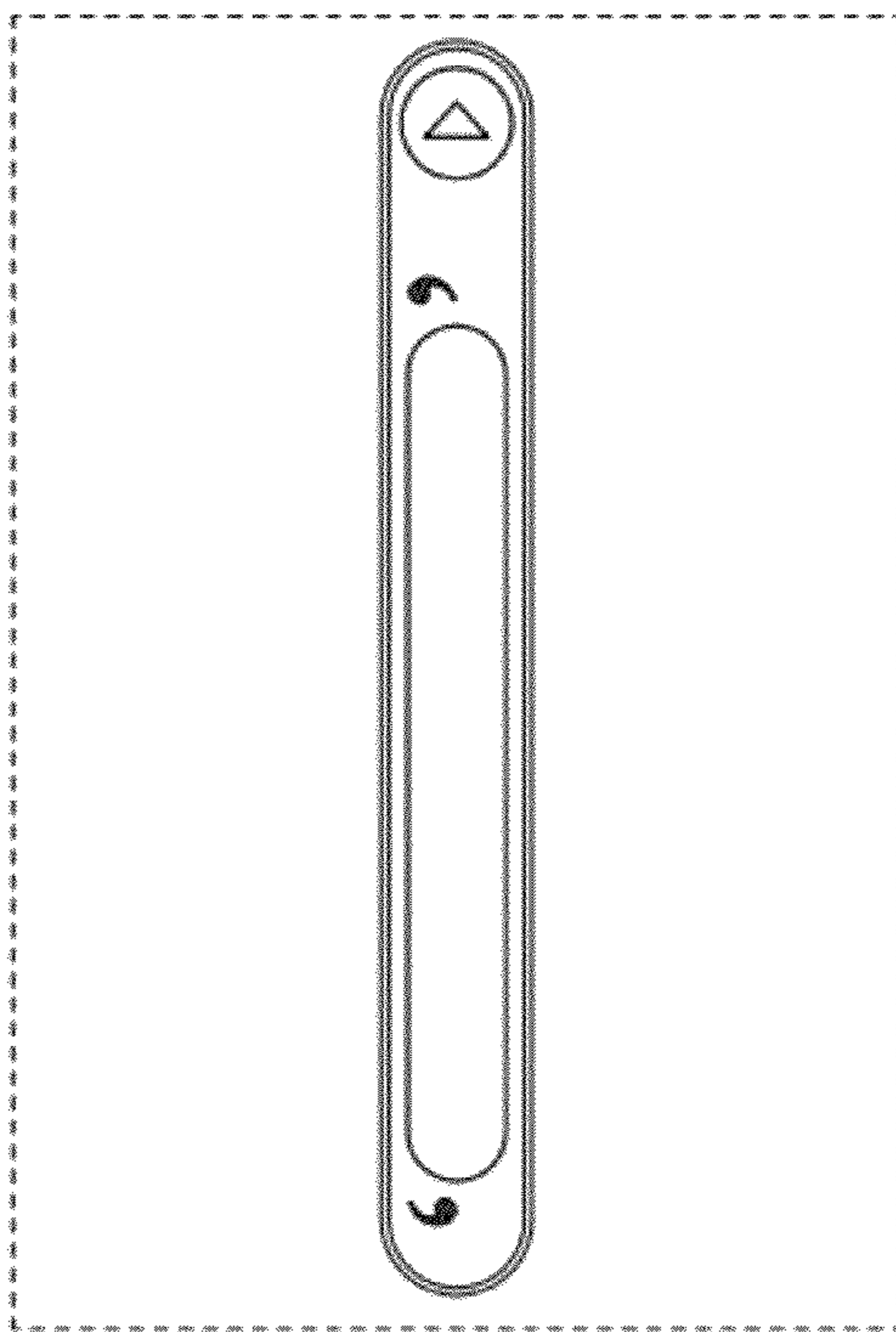


Fig. 12

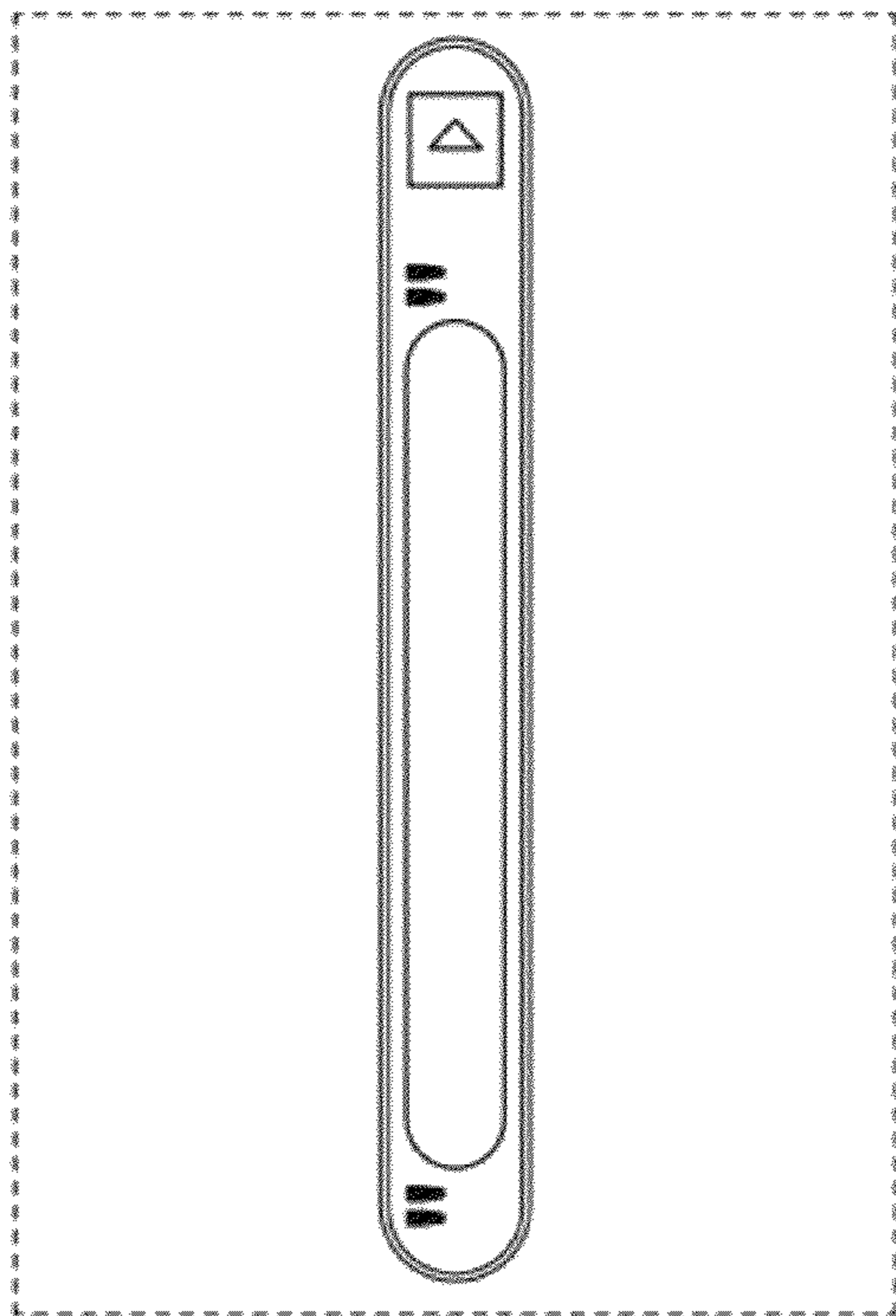


Fig. 14

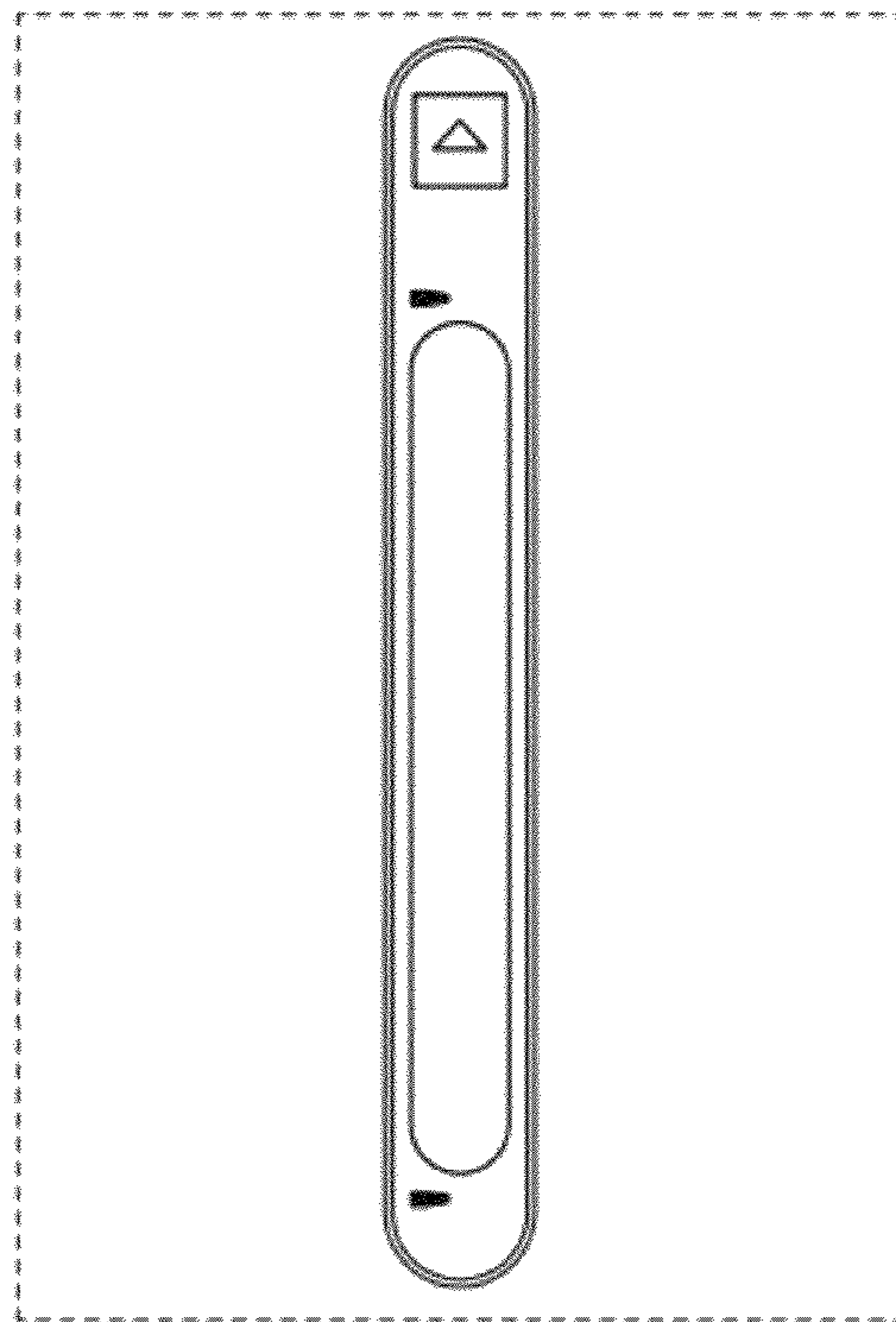


Fig. 16

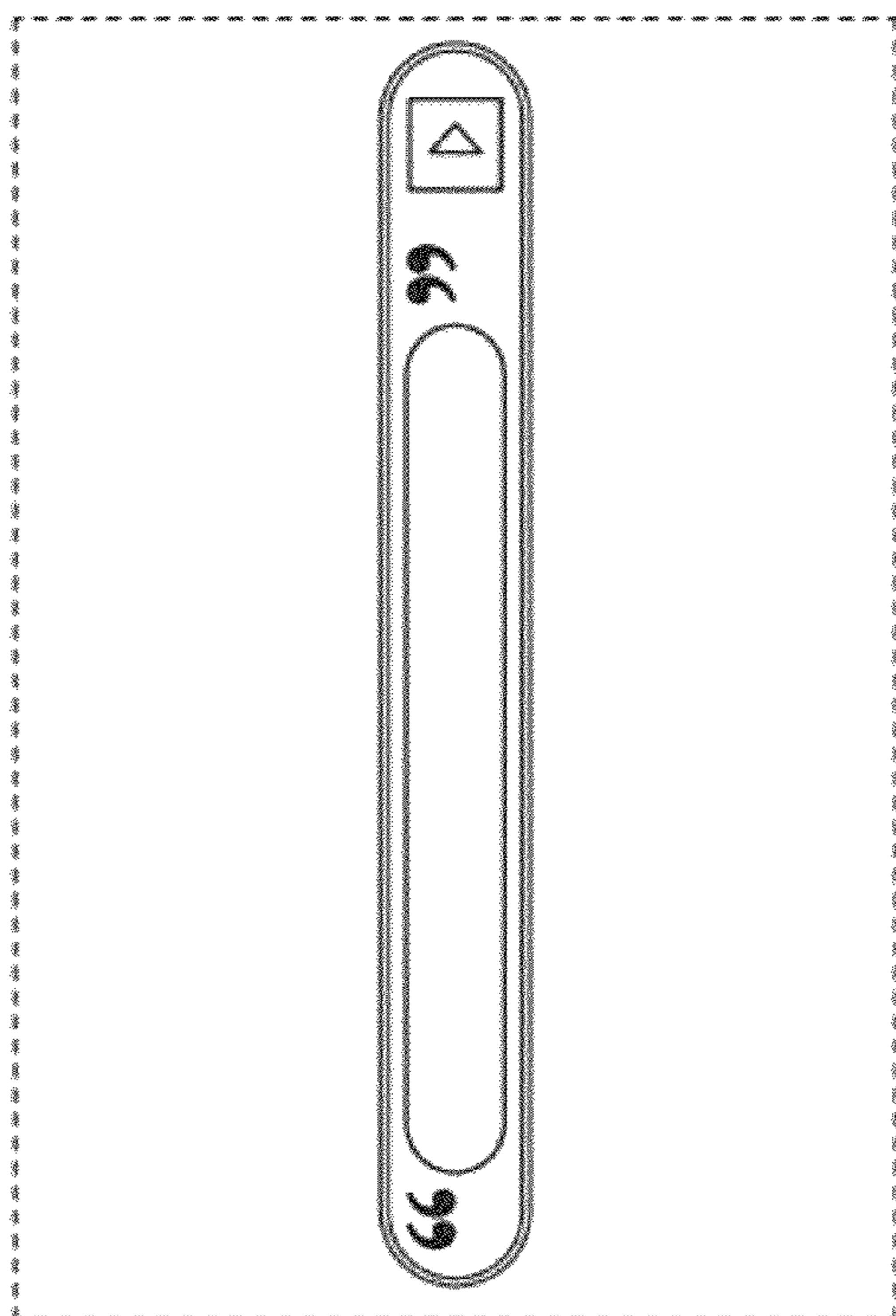


Fig. 13

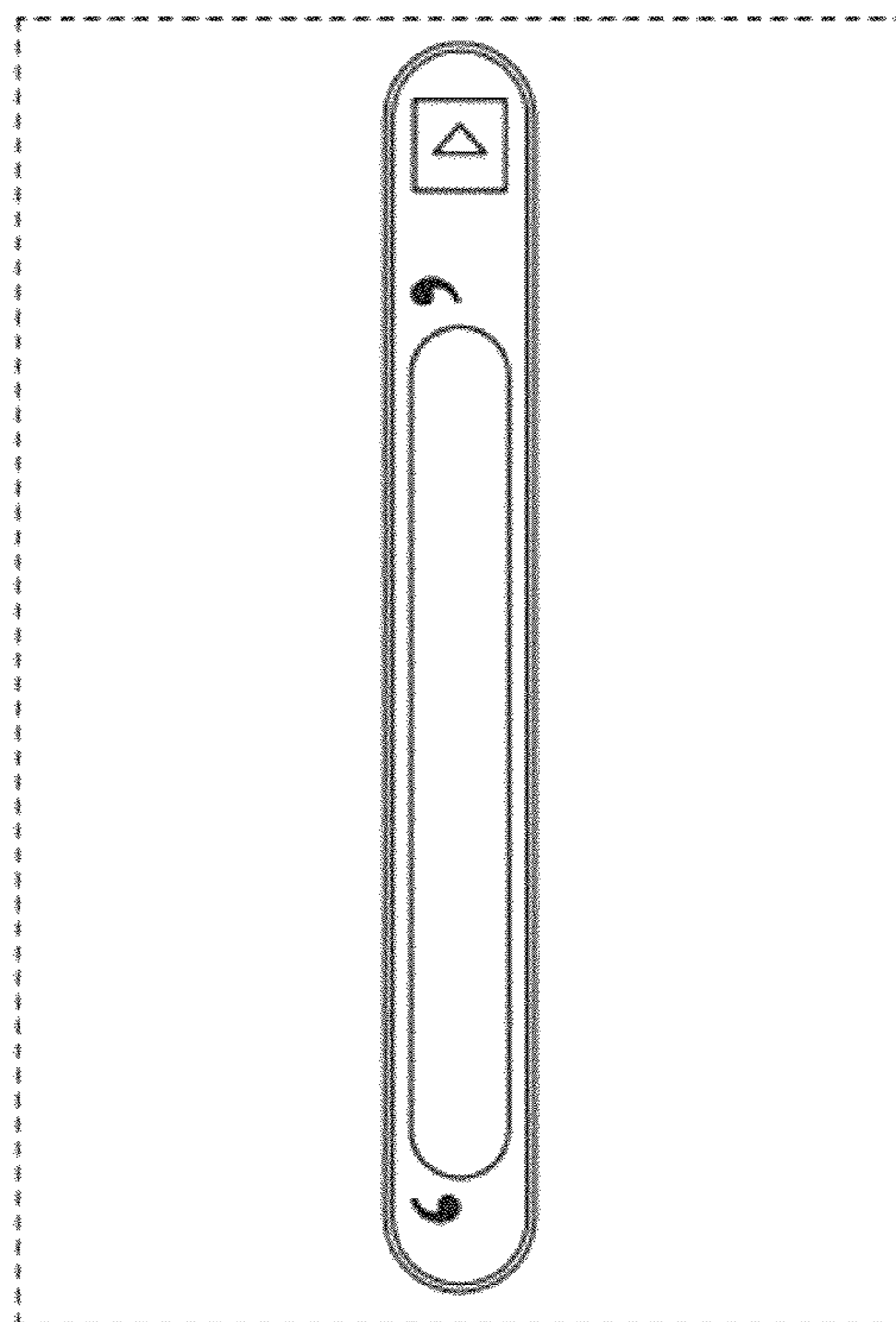


Fig. 15

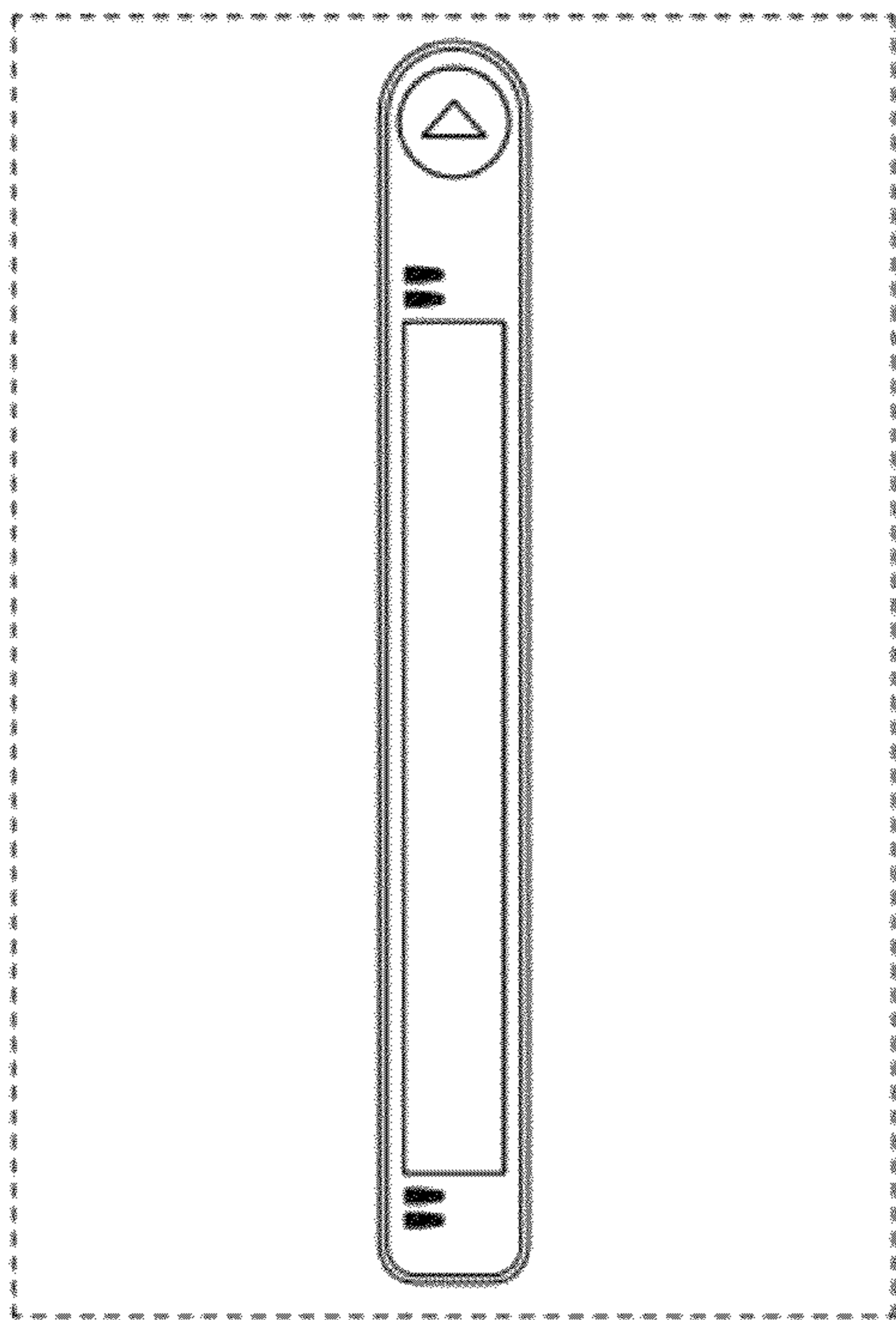


Fig. 18

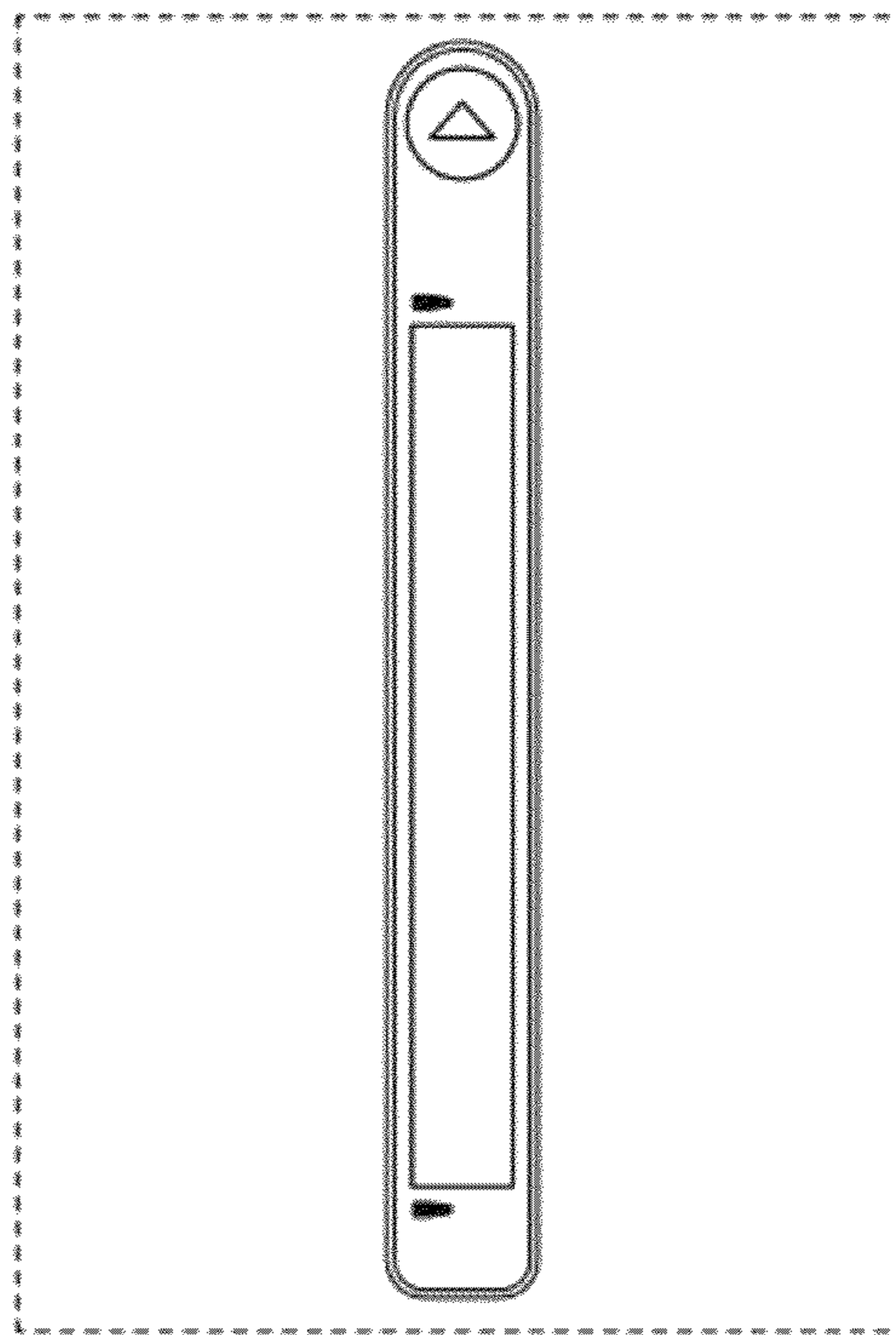


Fig. 20

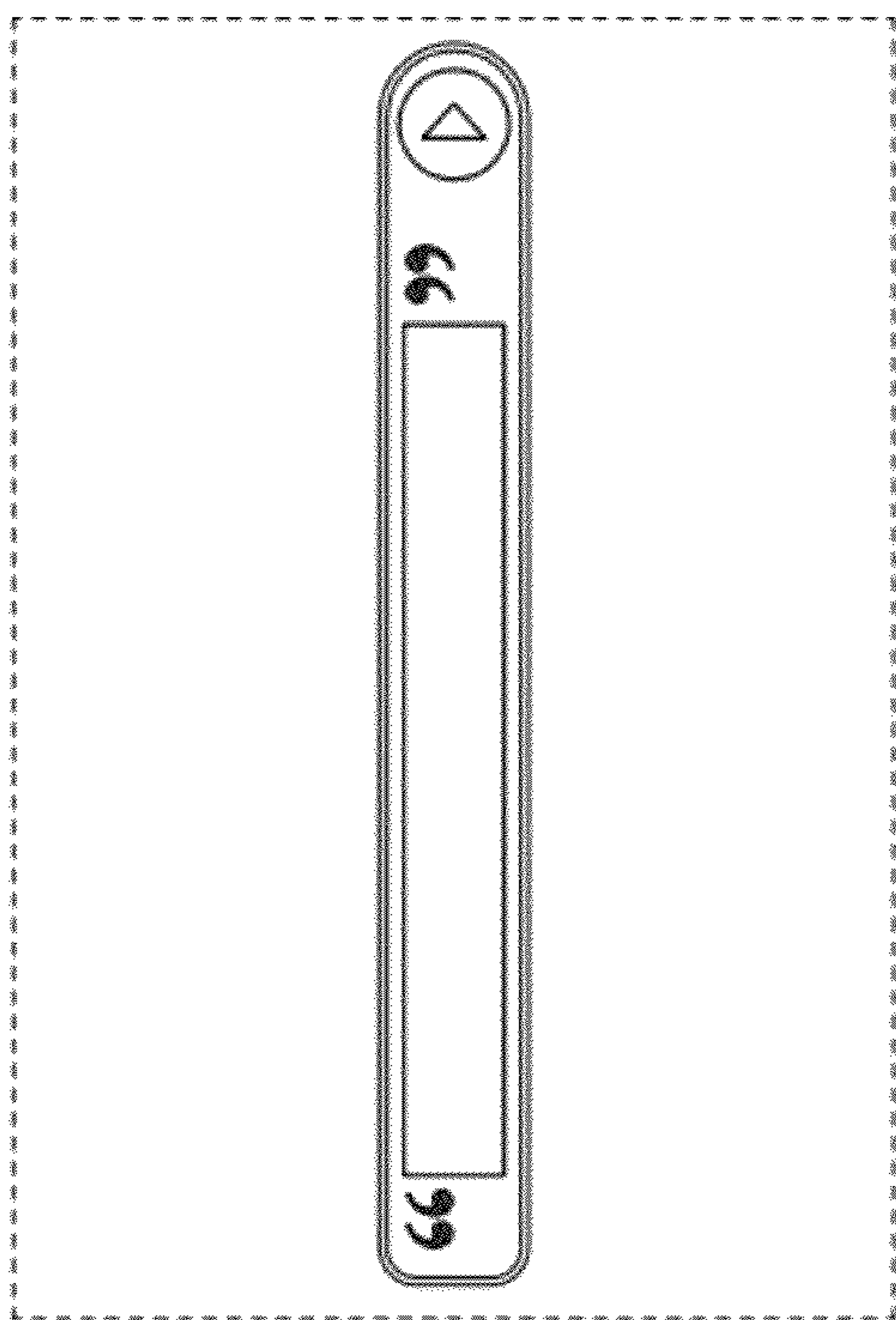


Fig. 17

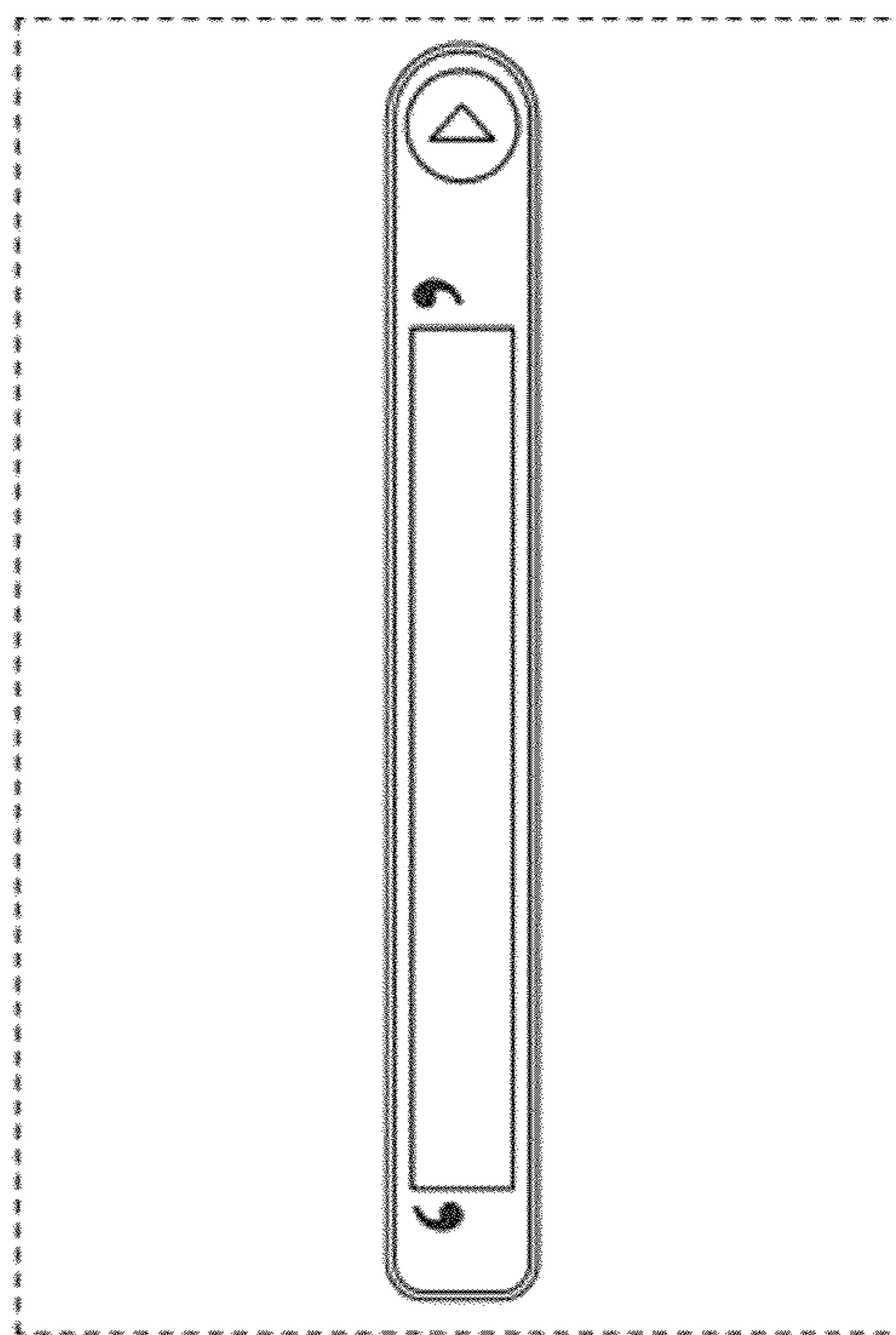


Fig. 19

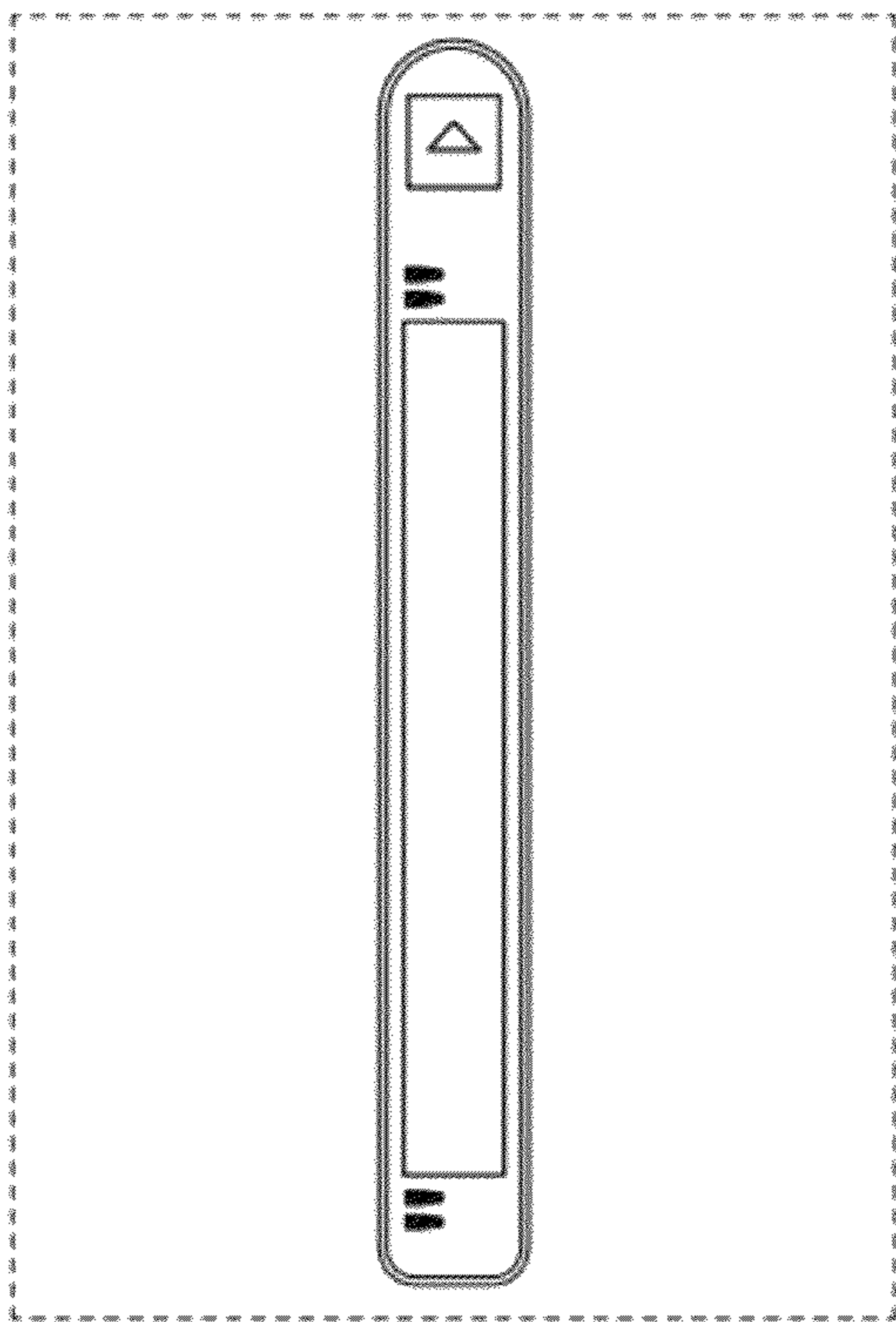


Fig. 22

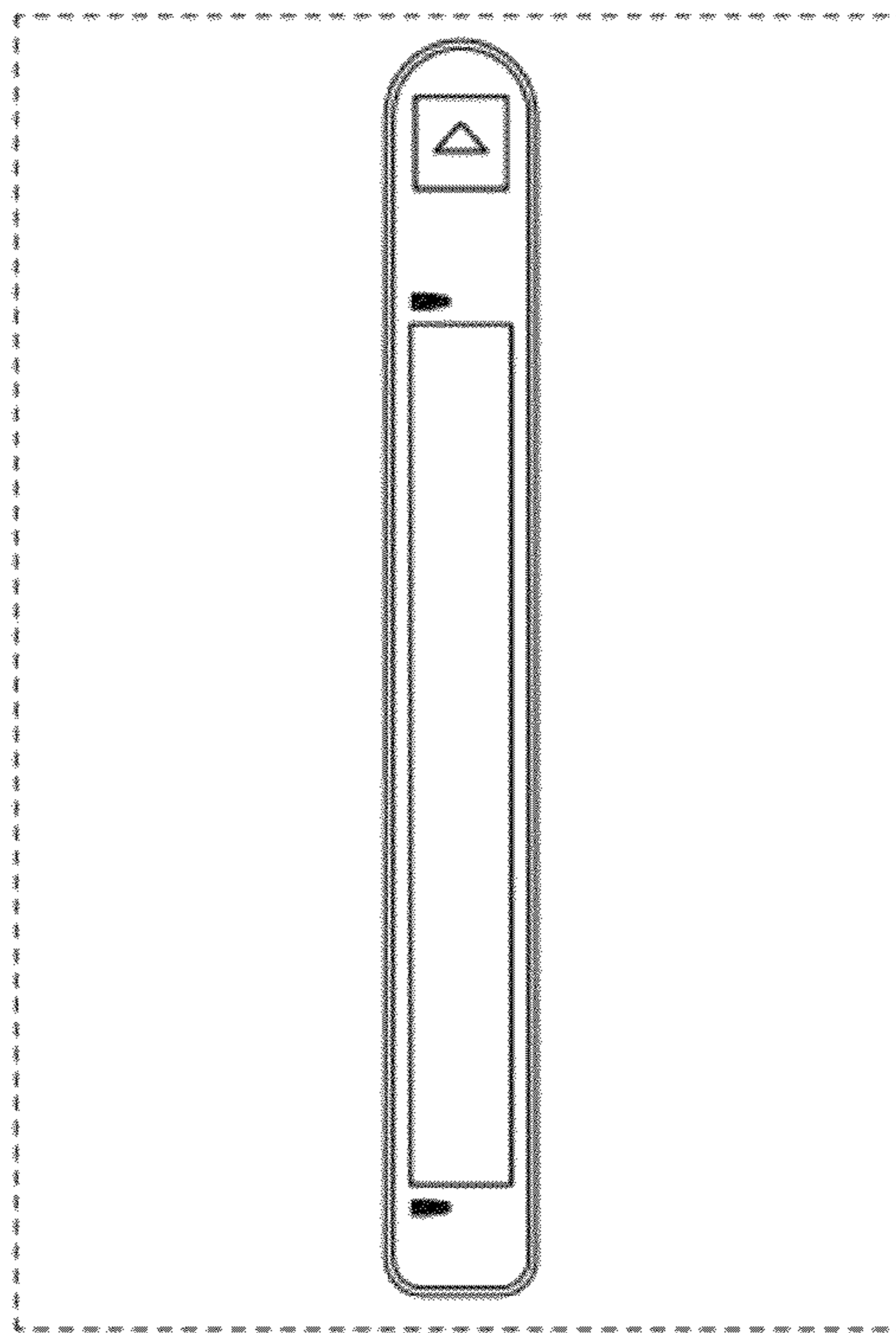


Fig. 24

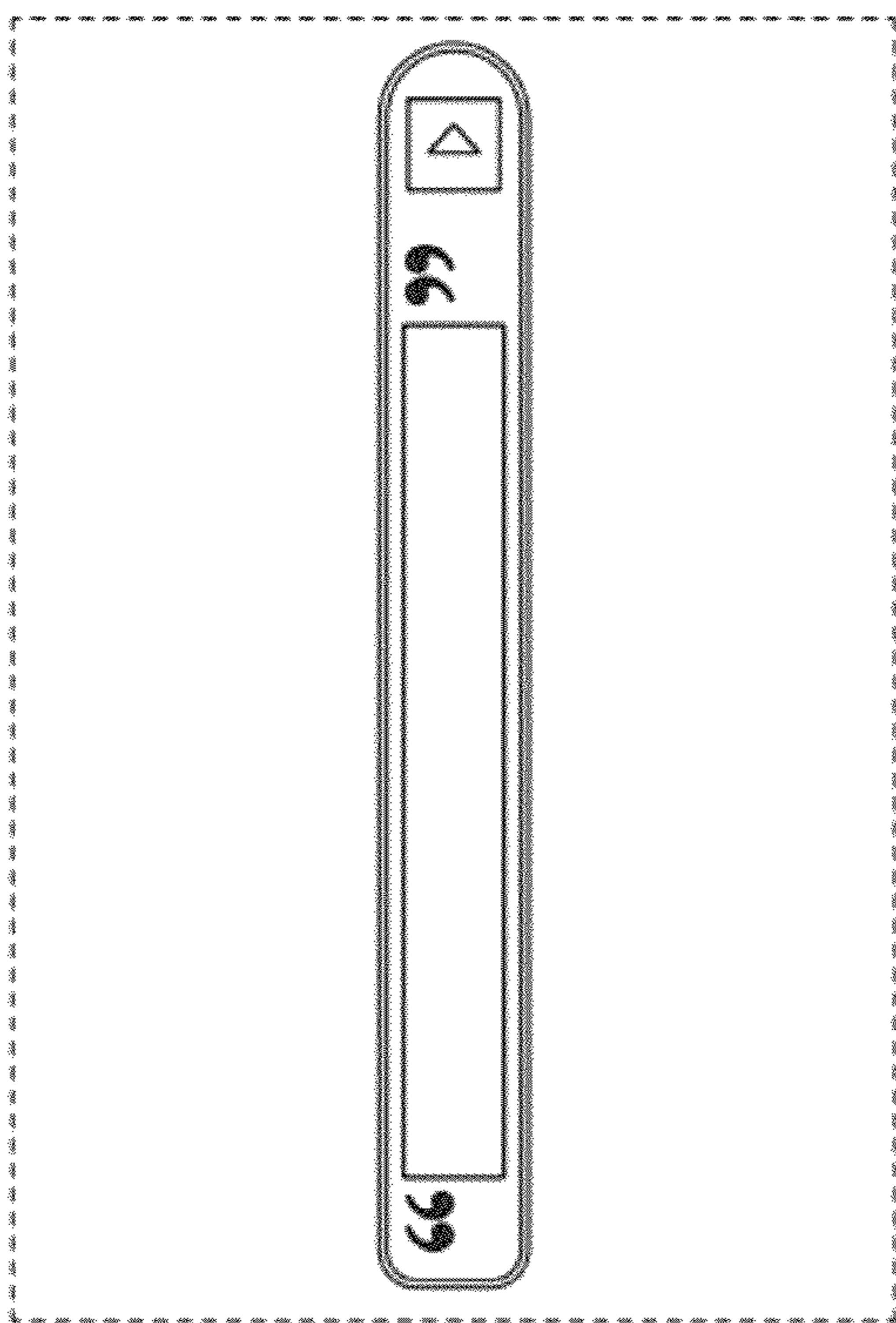


Fig. 21

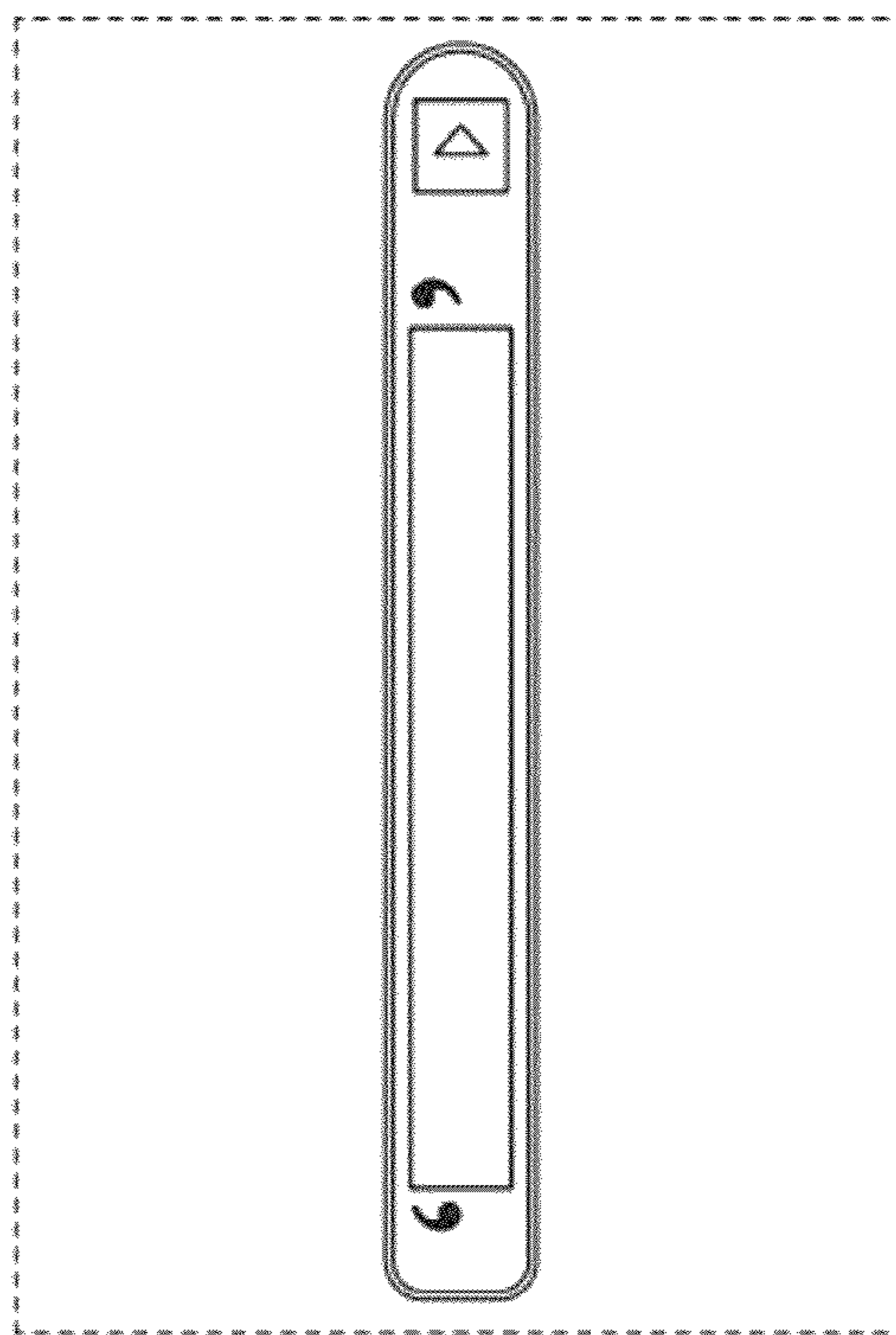


Fig. 23

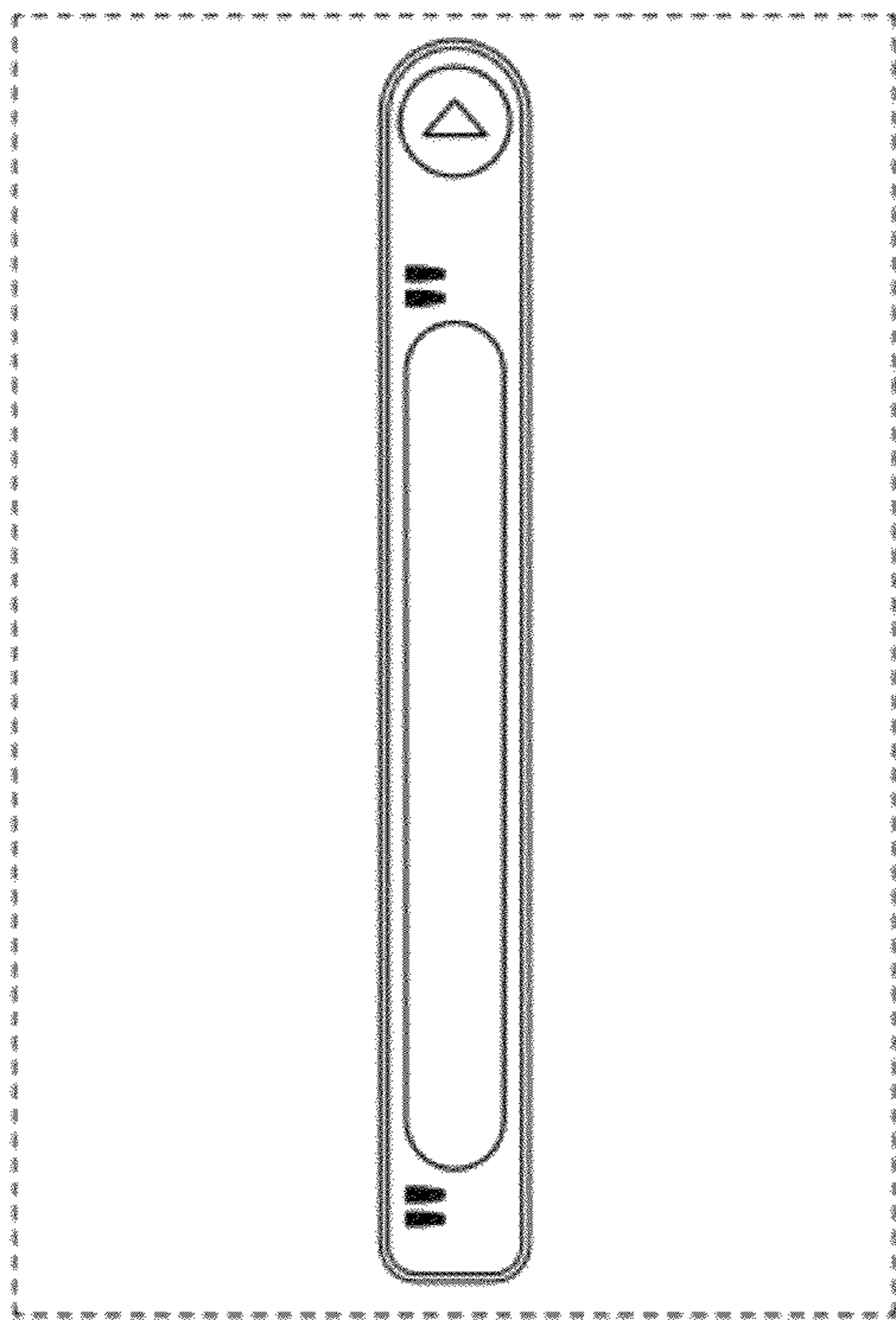


Fig. 26

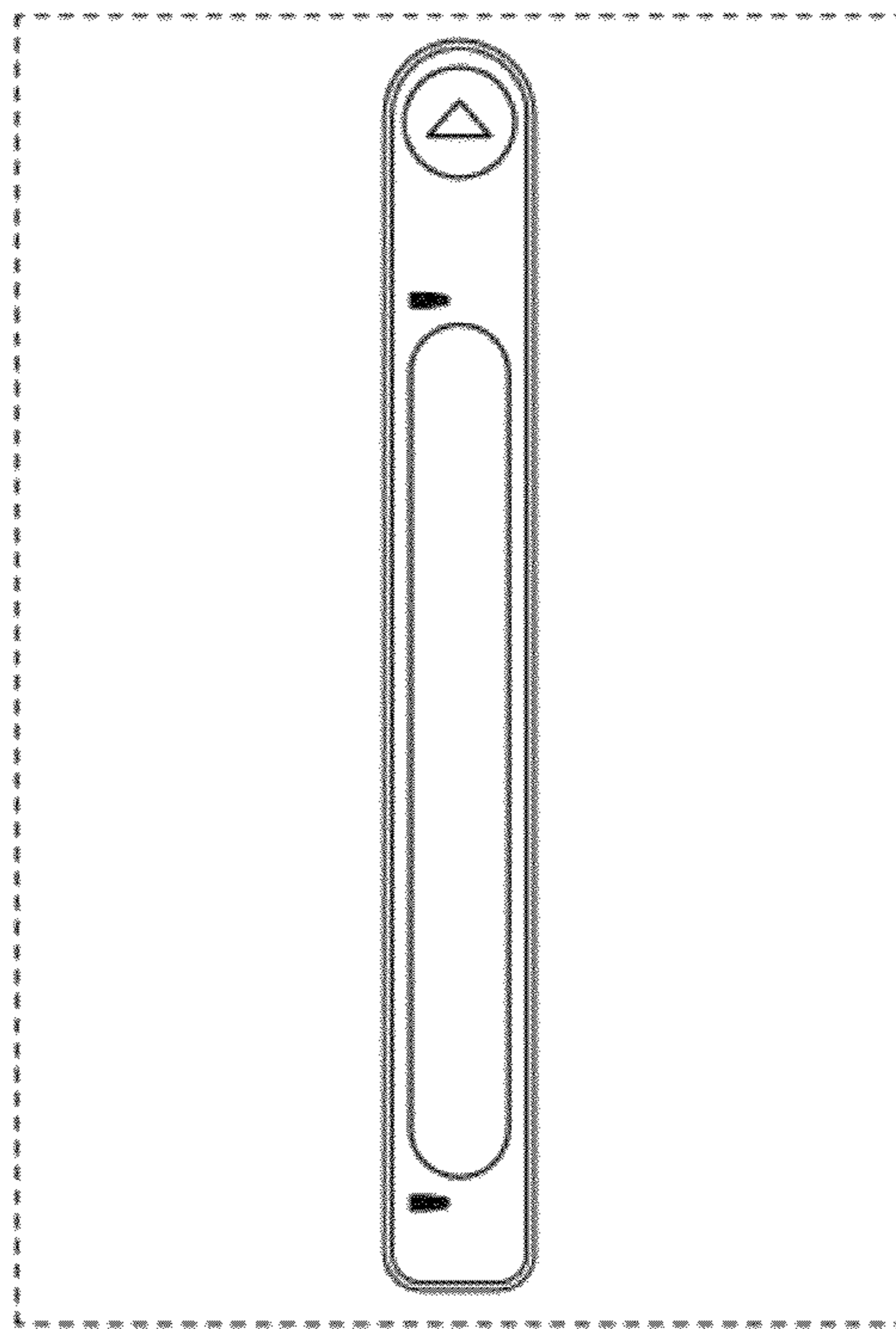


Fig. 28

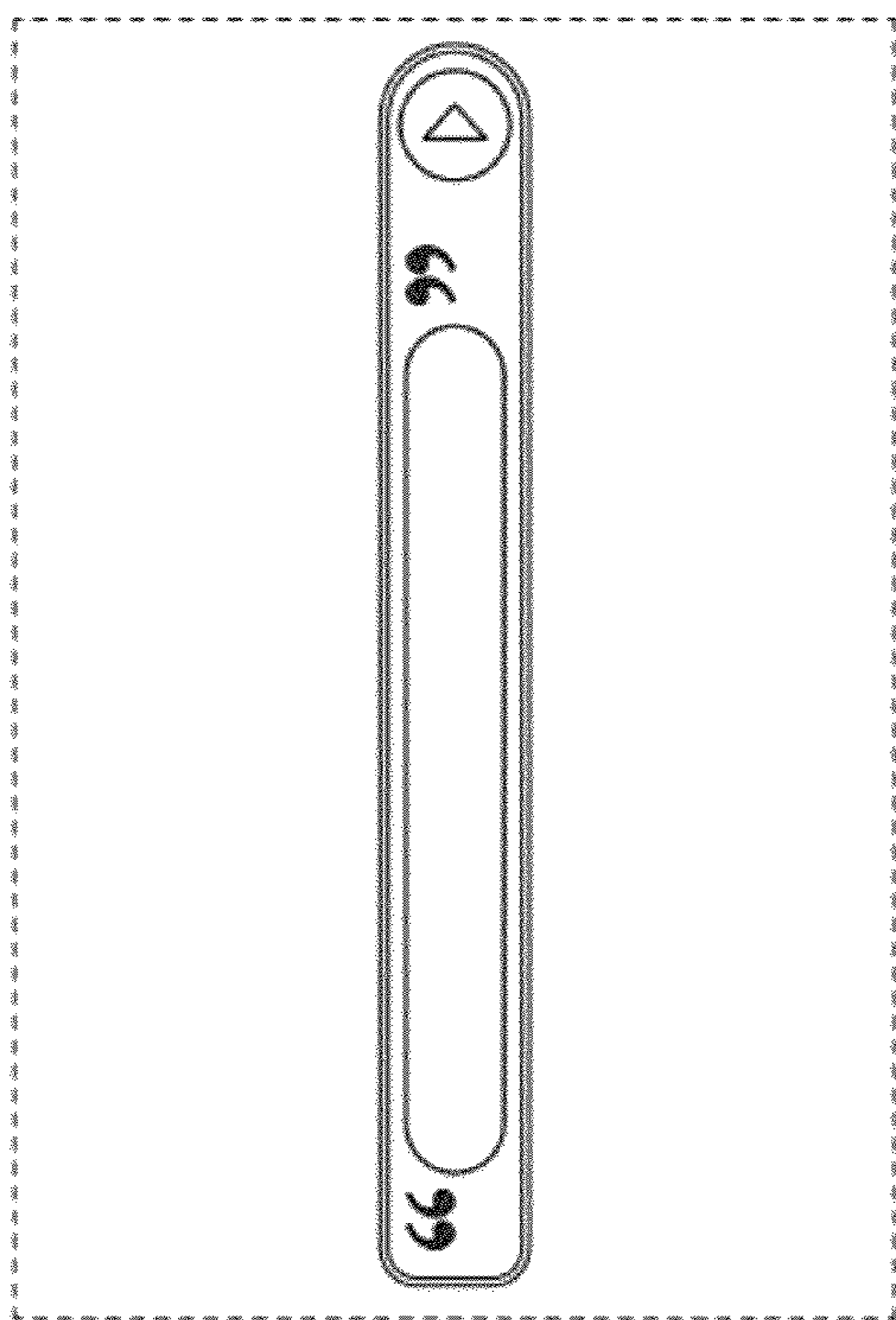


Fig. 25

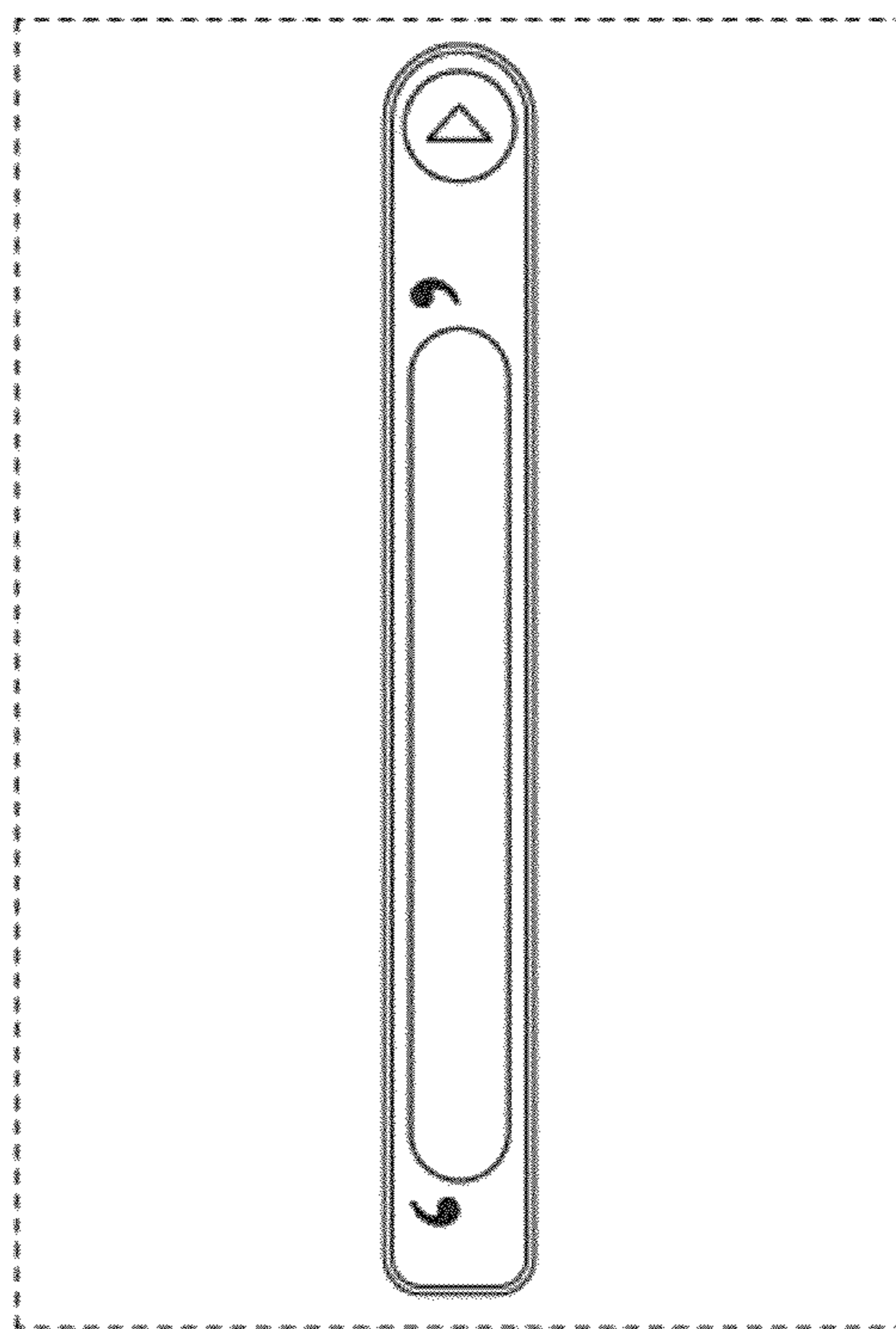


Fig. 27

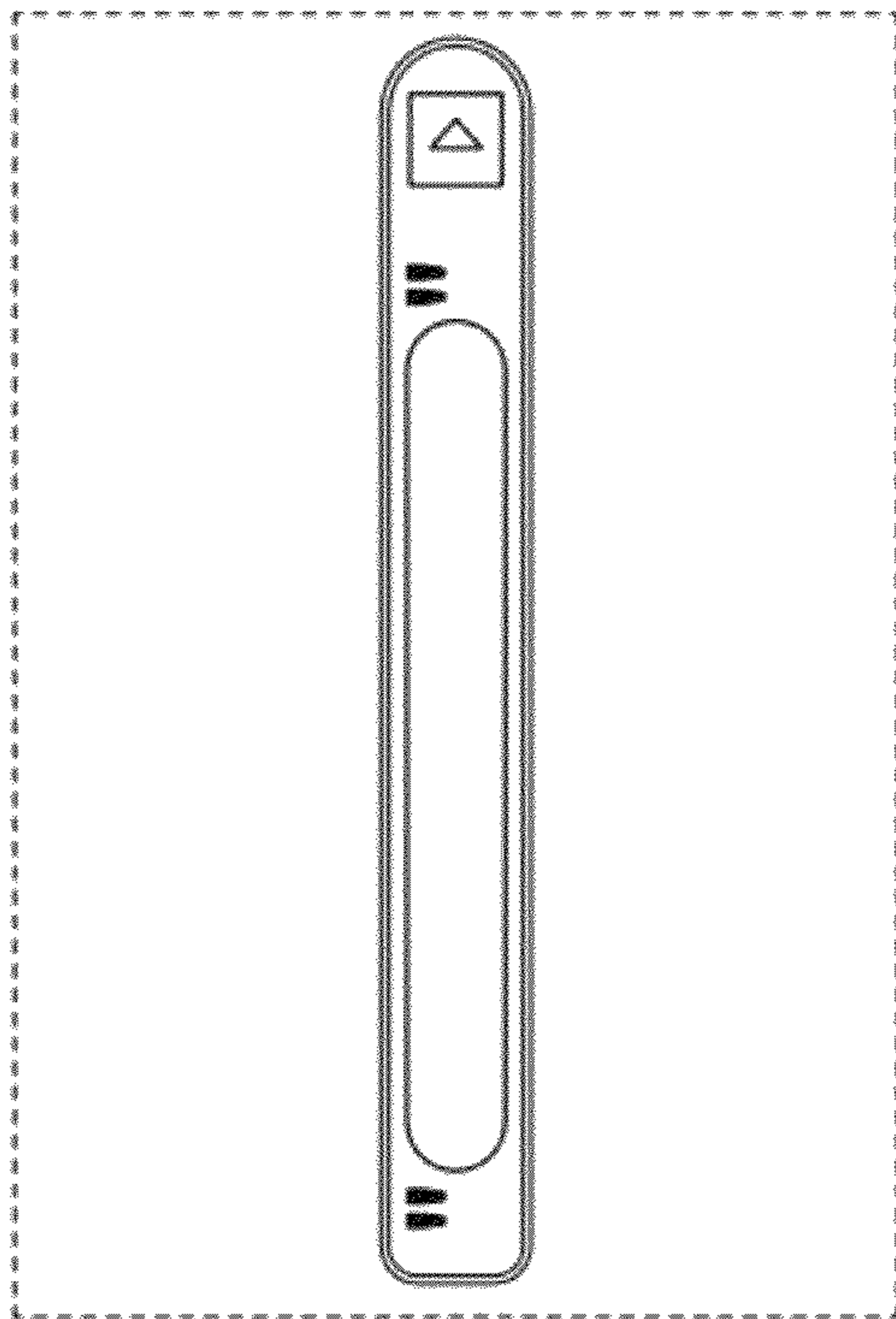


Fig. 30

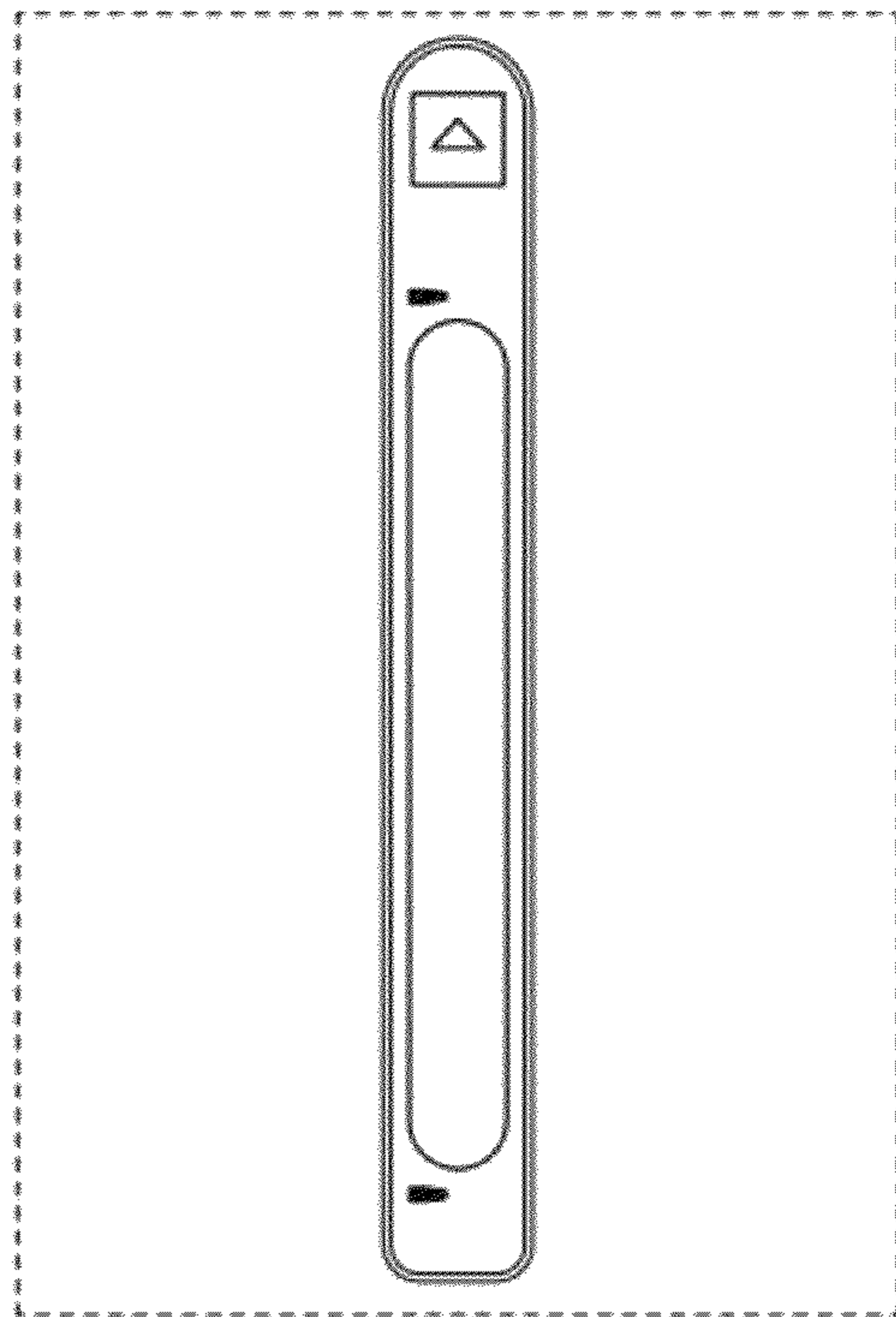


Fig. 32

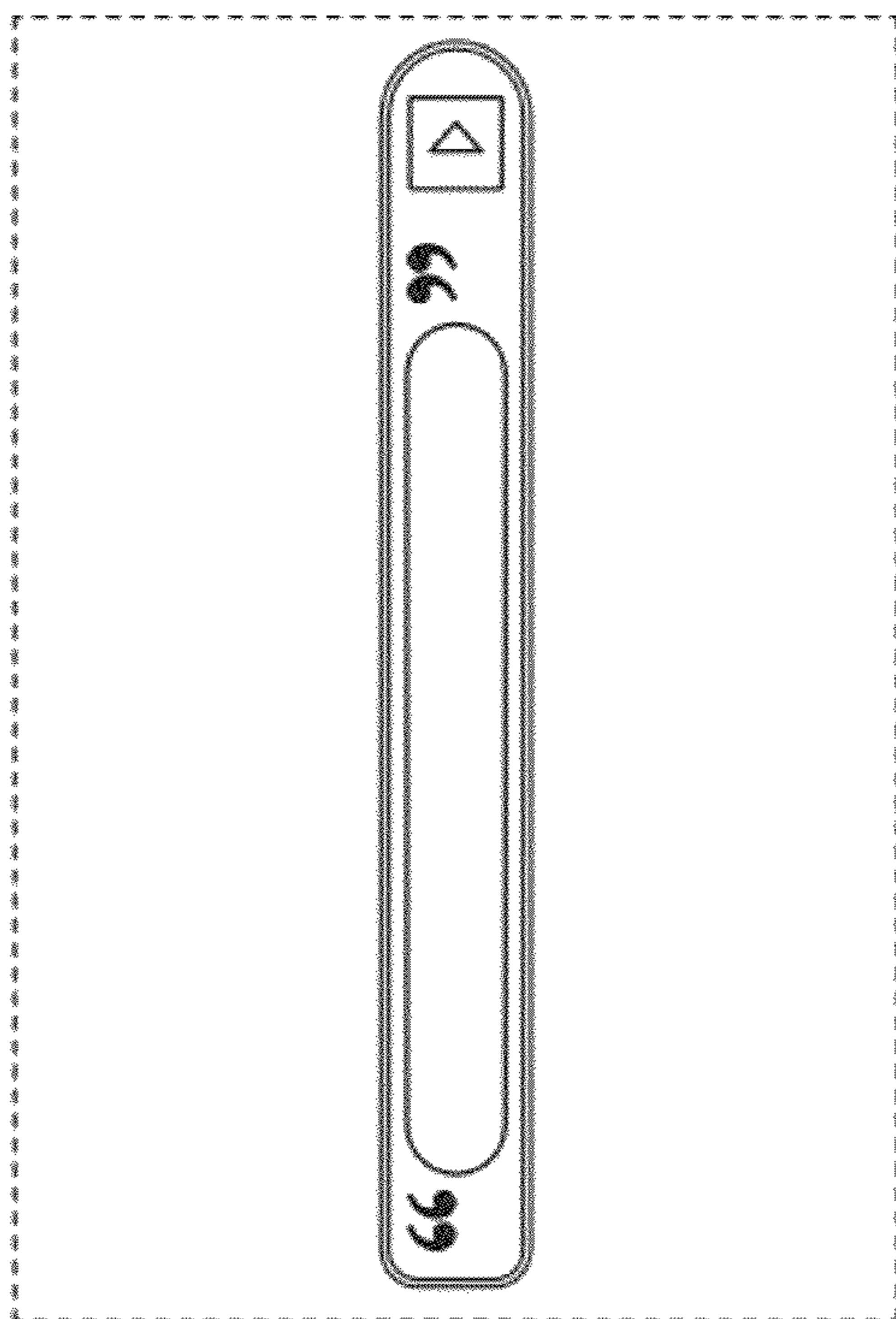


Fig. 29

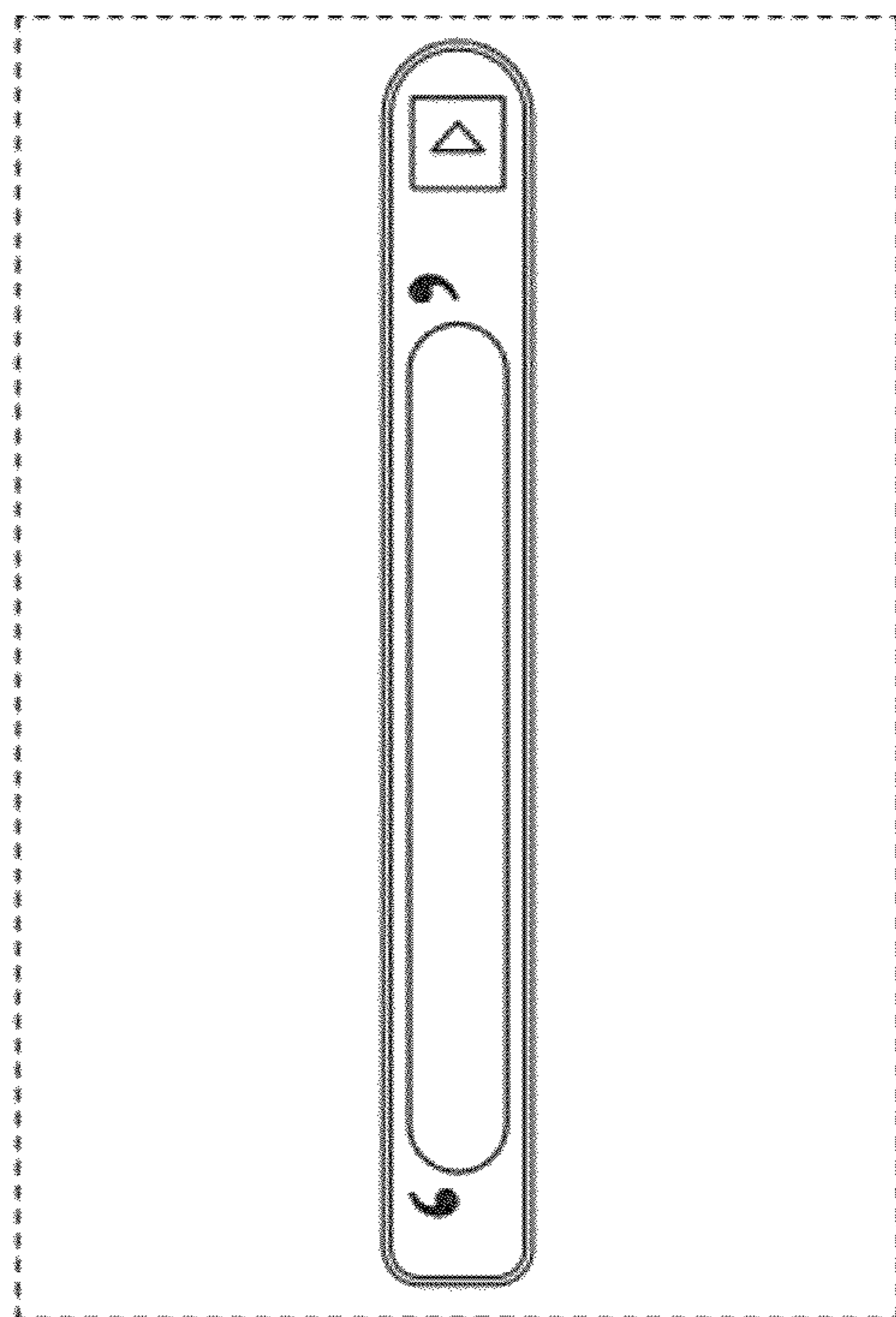


Fig. 31

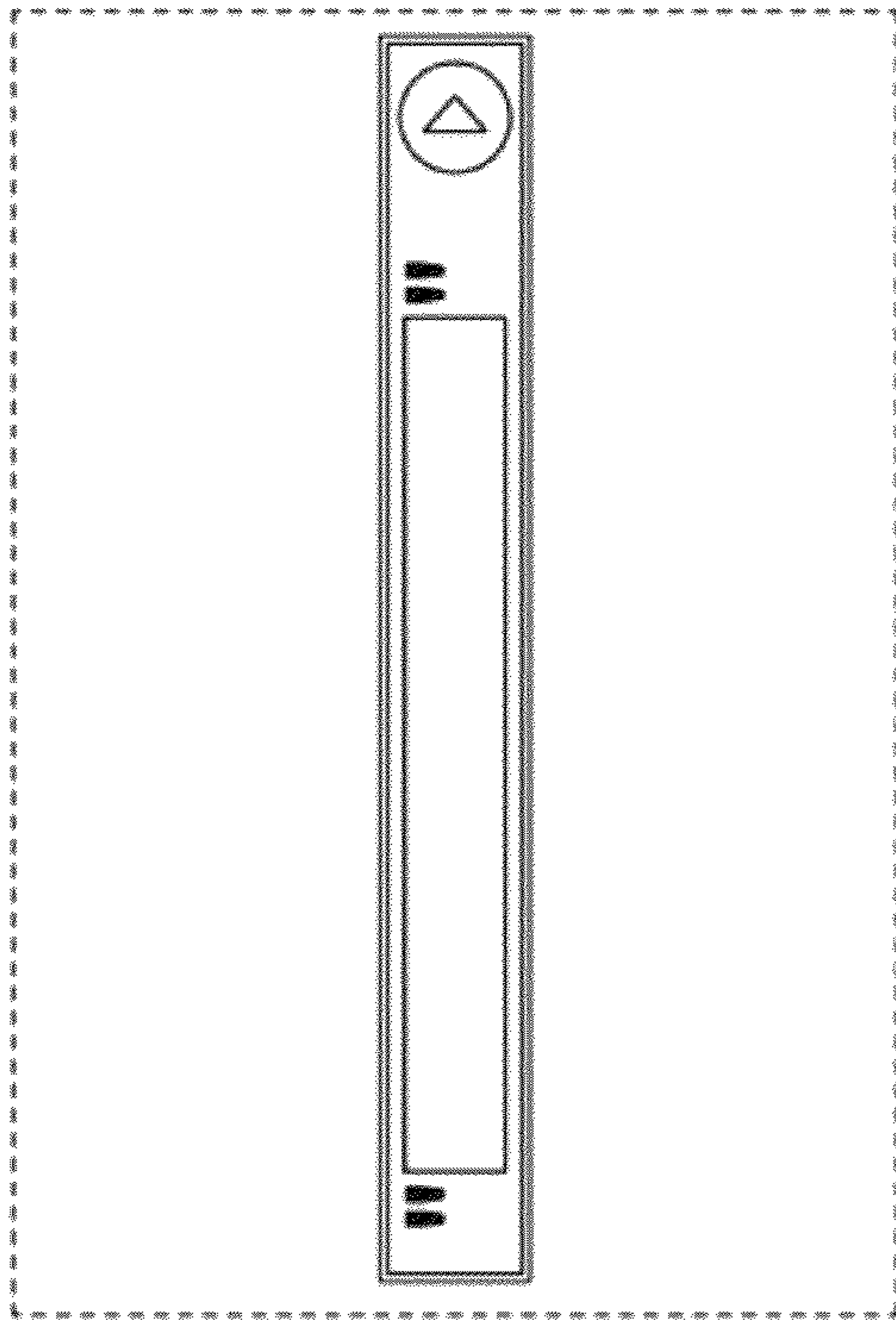


Fig. 34

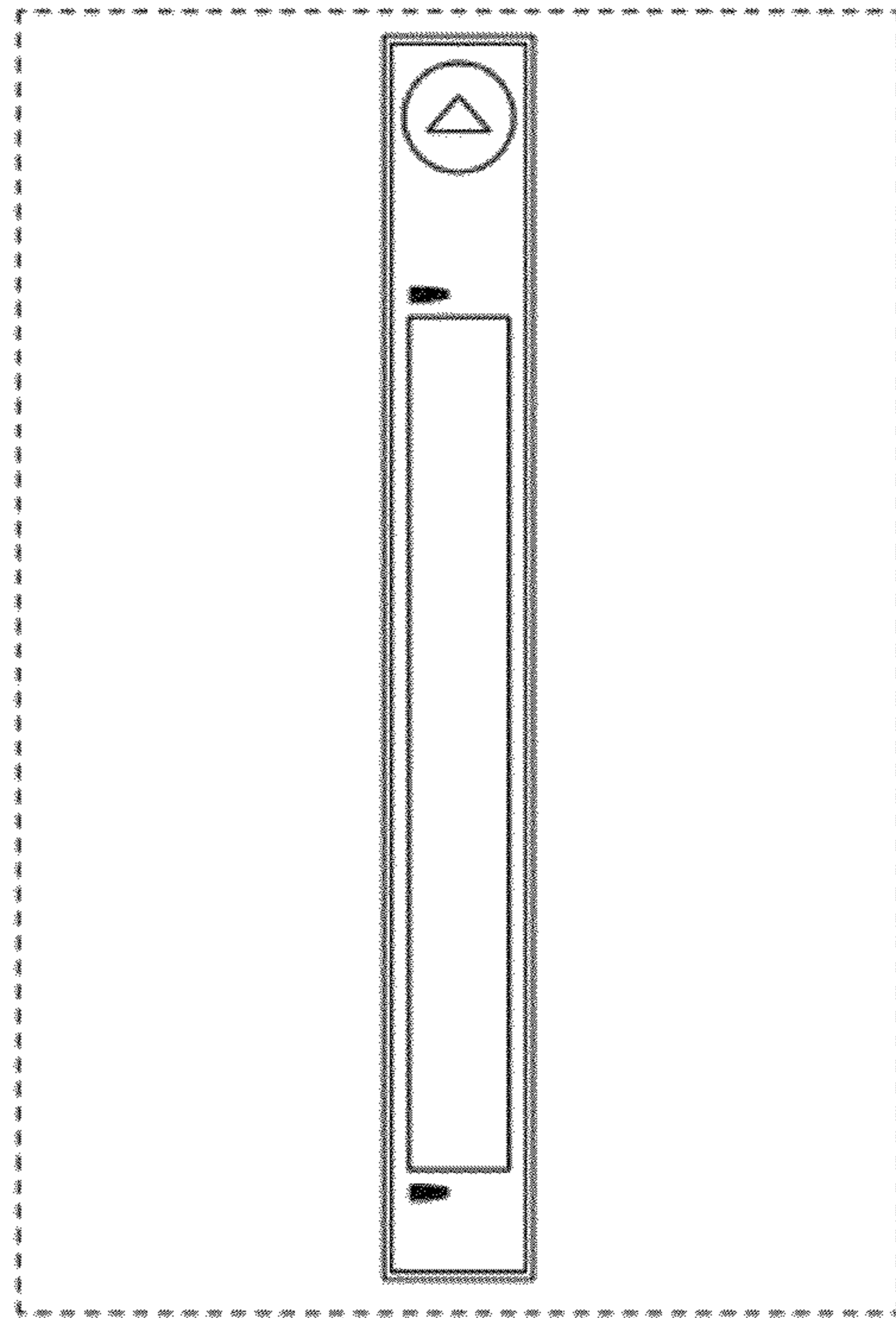


Fig. 36

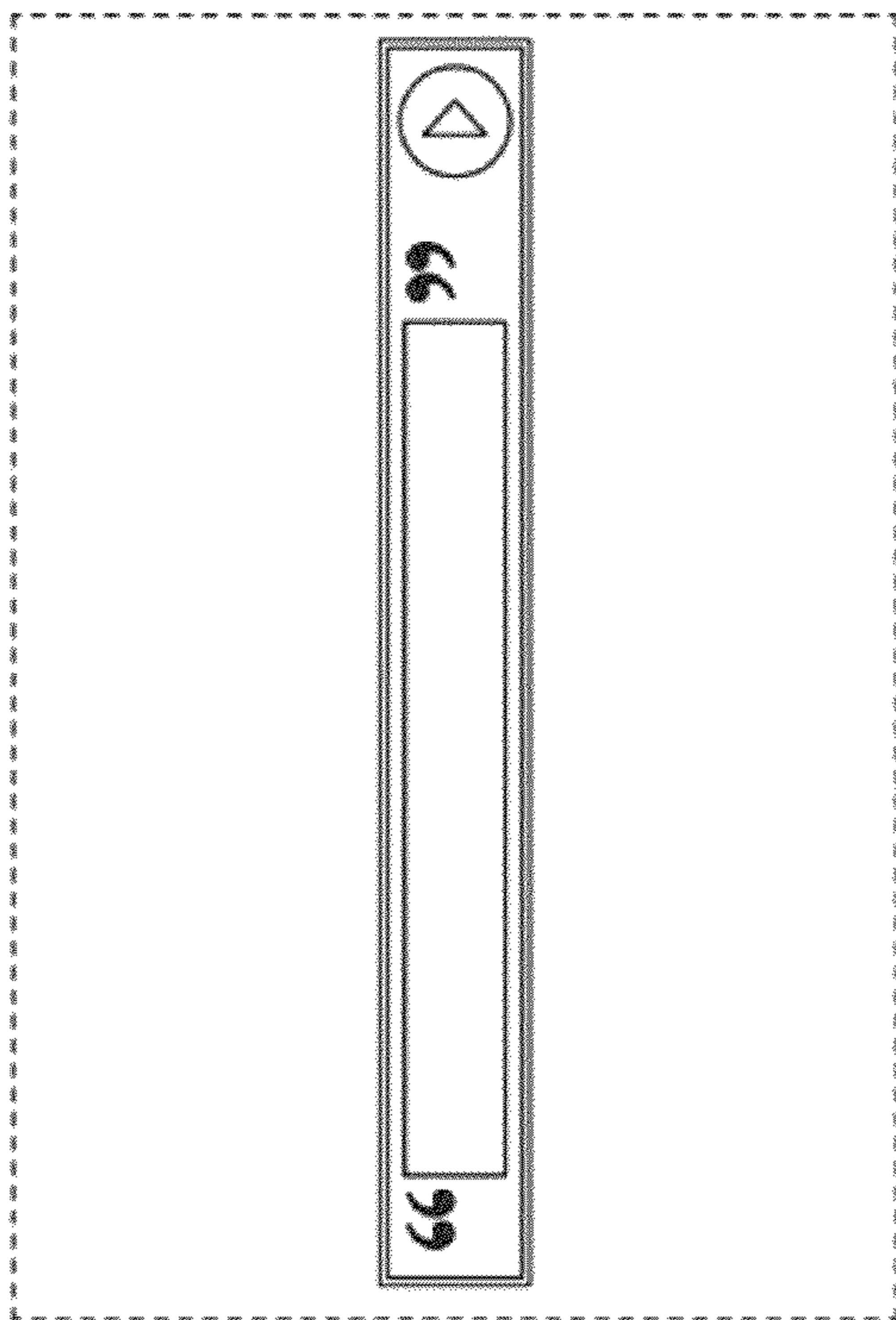


Fig. 33

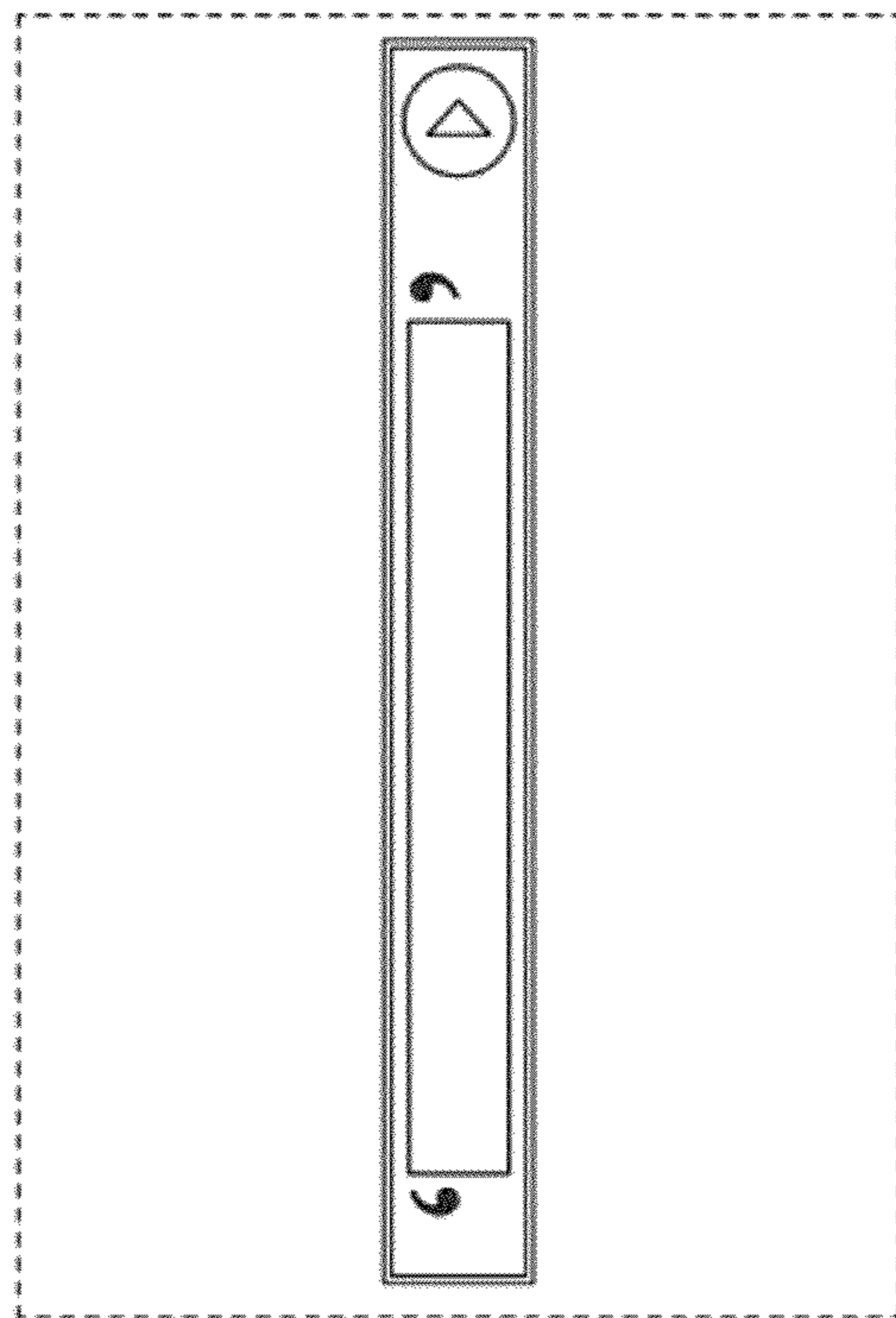


Fig. 35

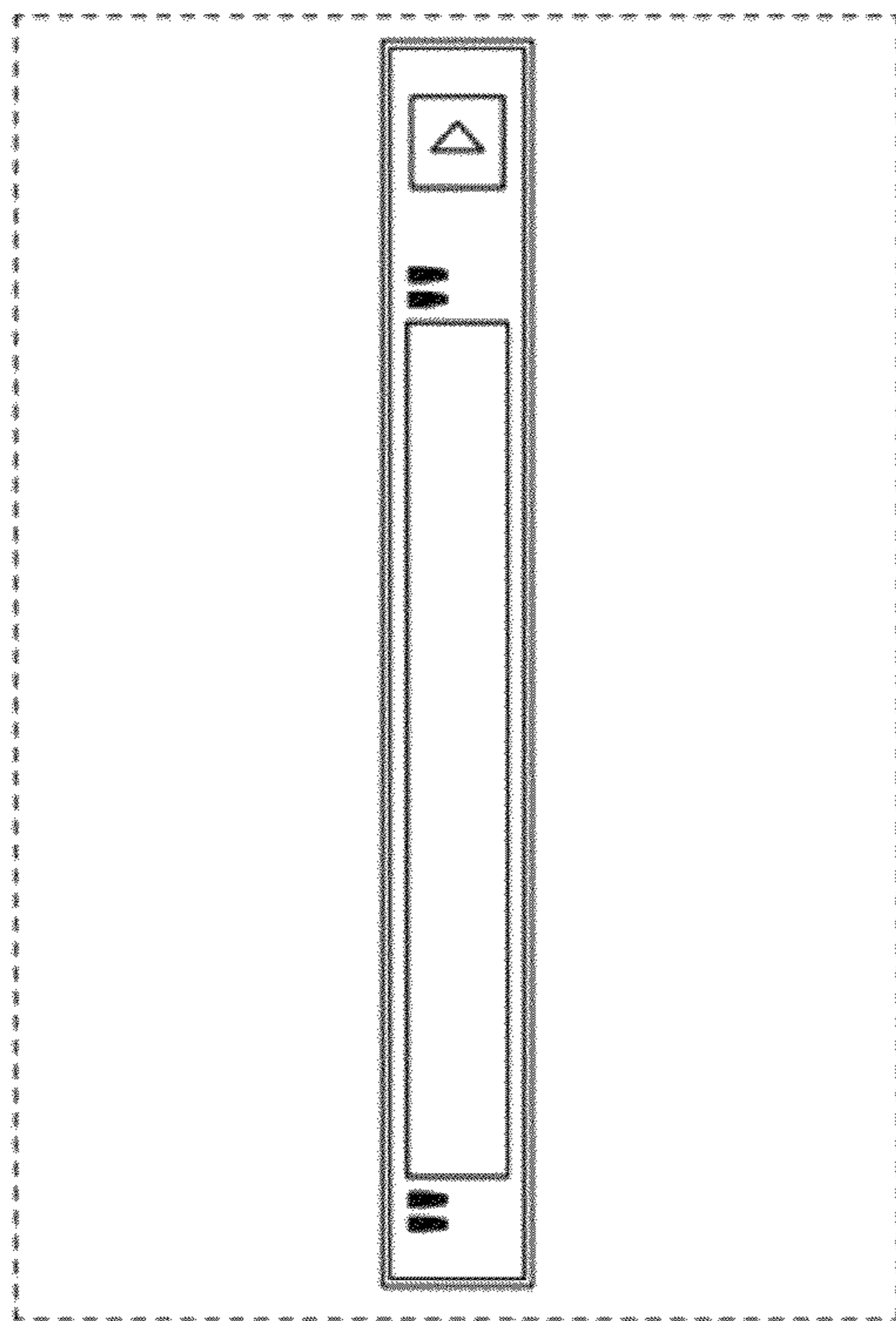


Fig. 38

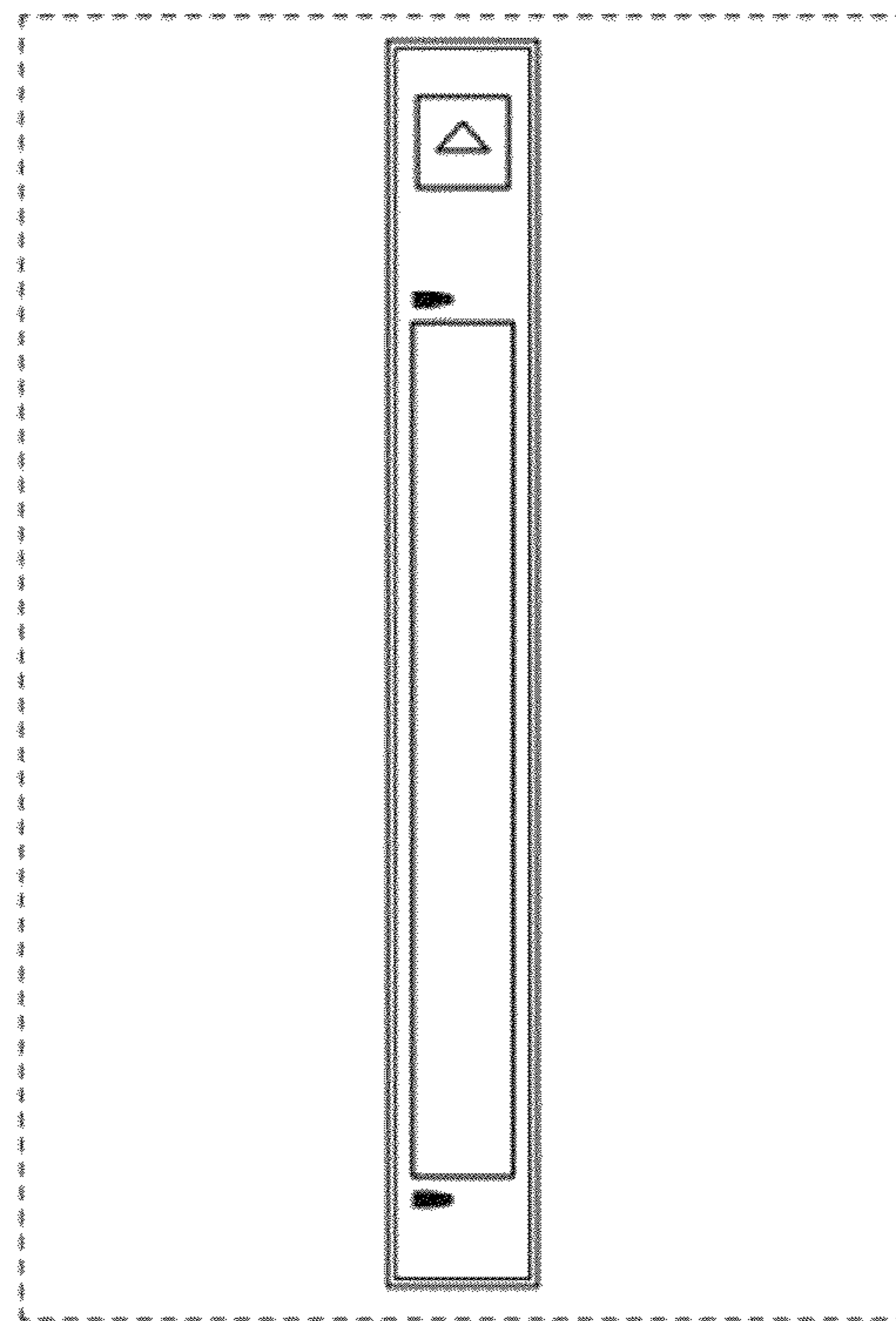


Fig. 40

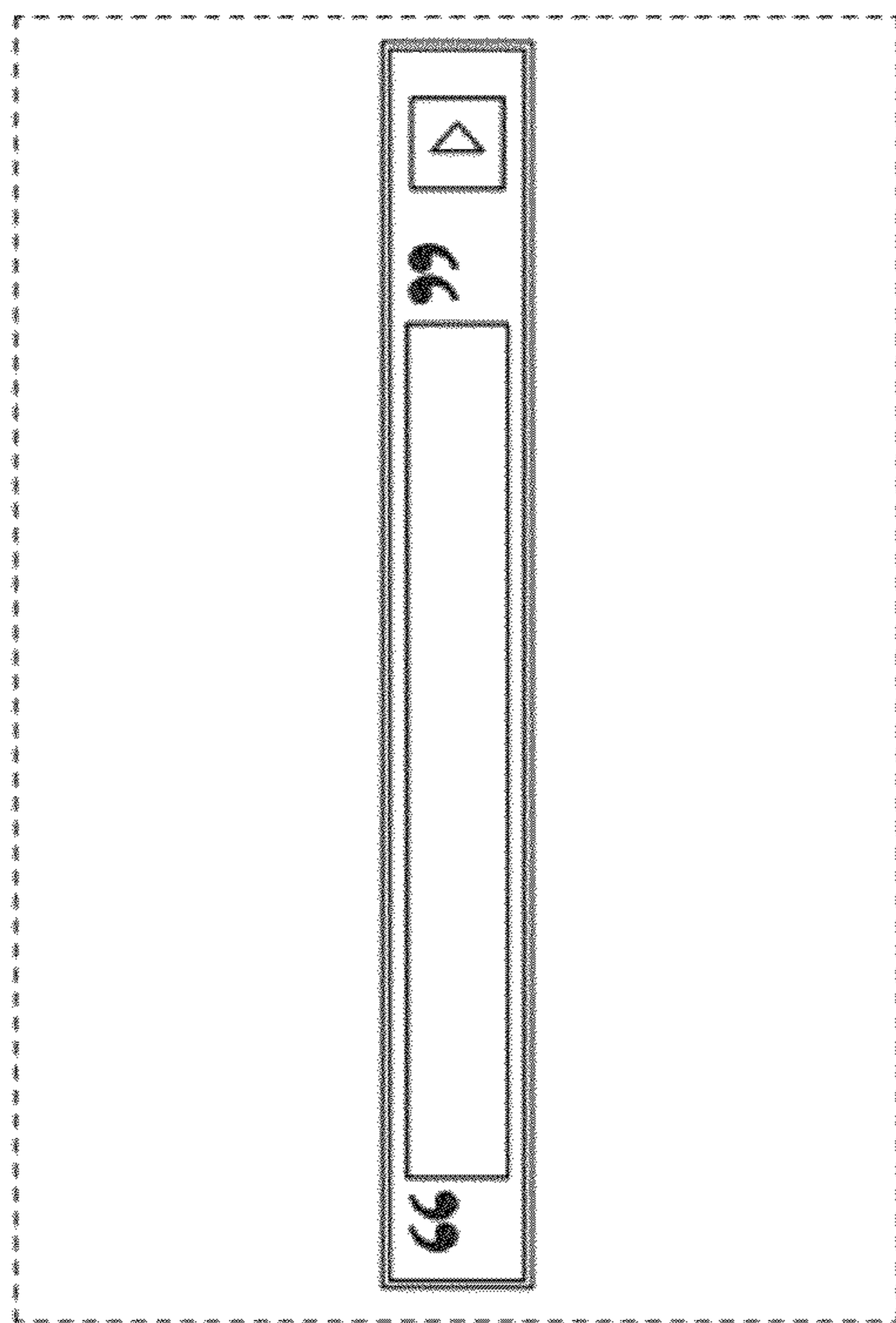


Fig. 37

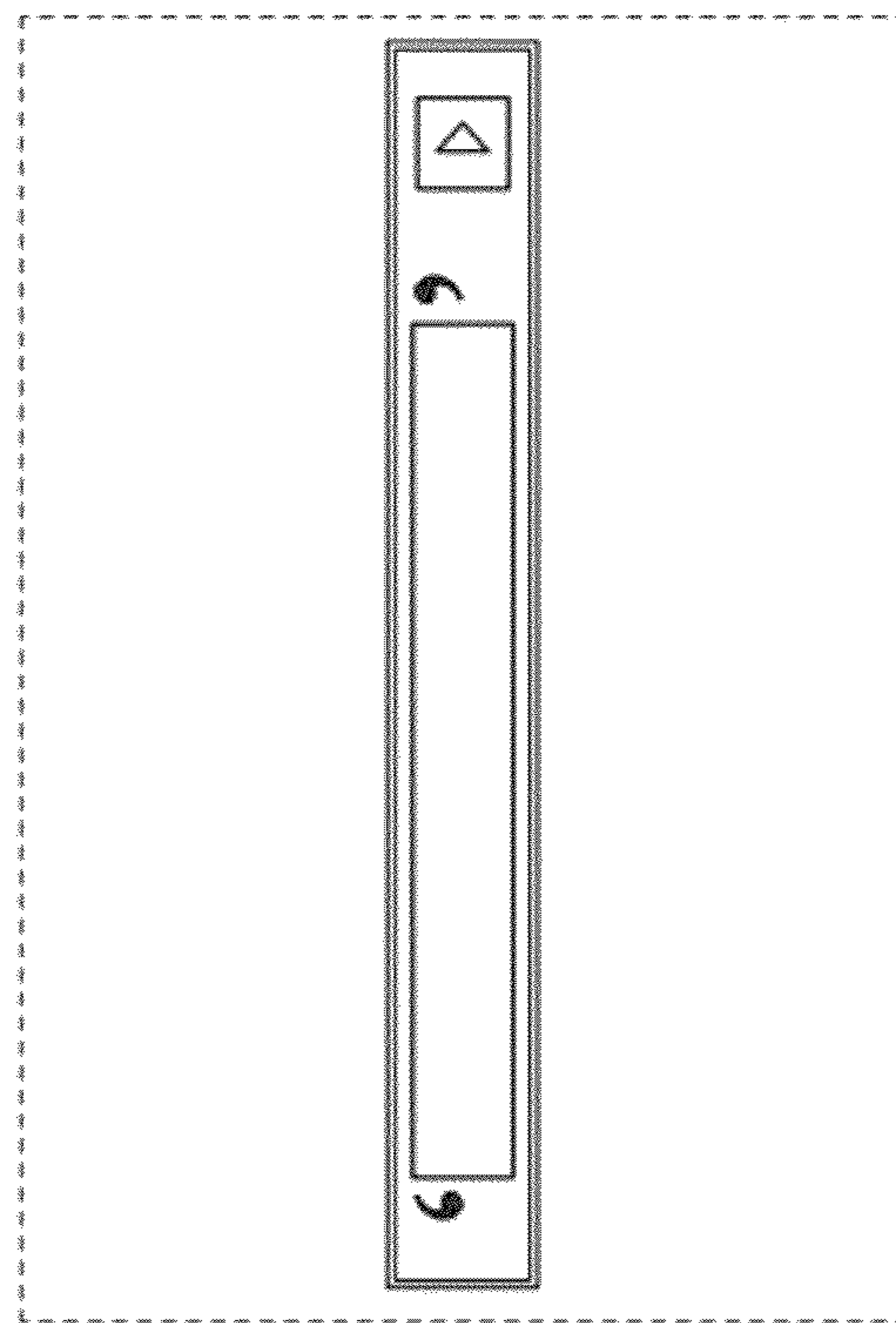


Fig. 39

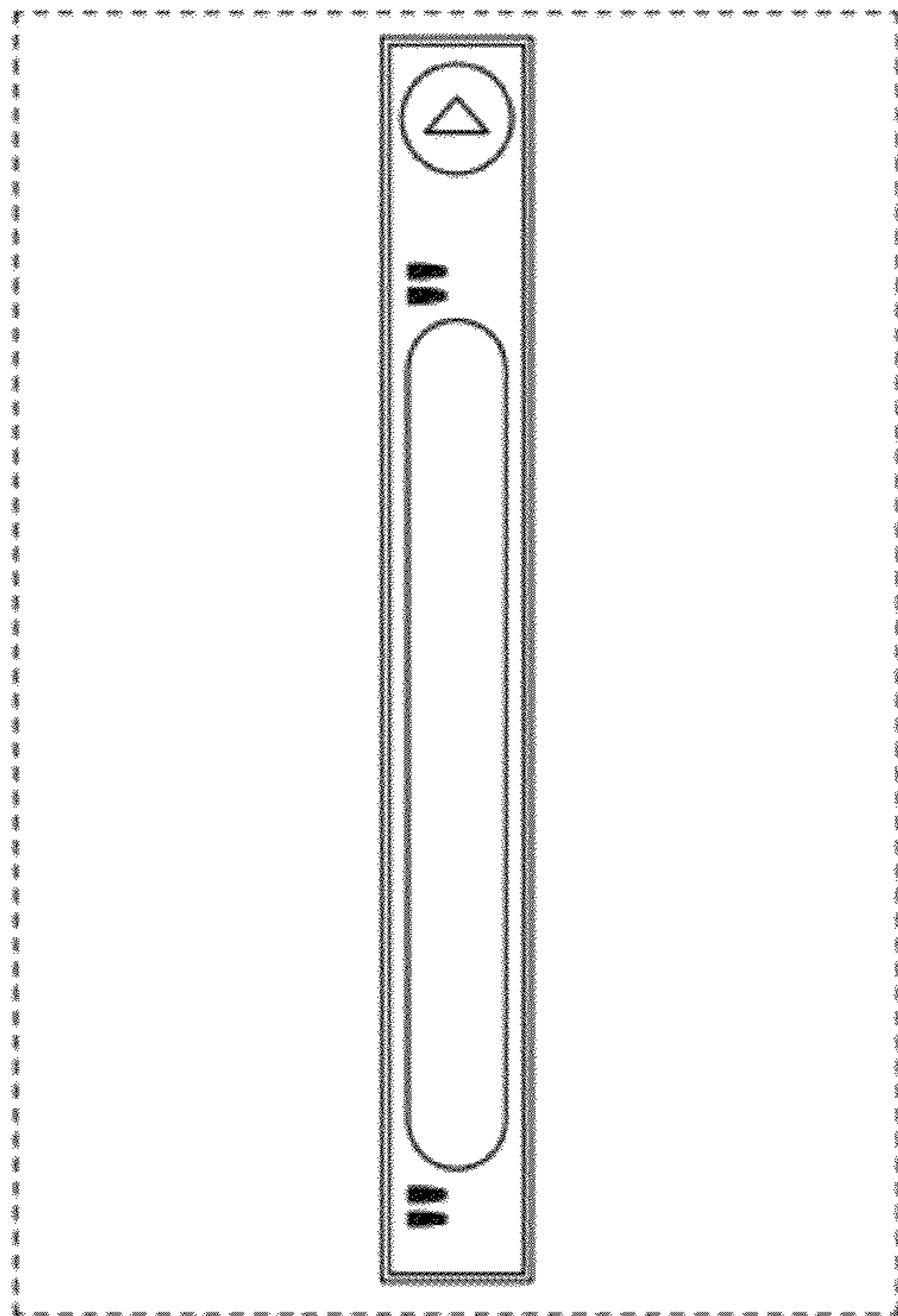


Fig. 42

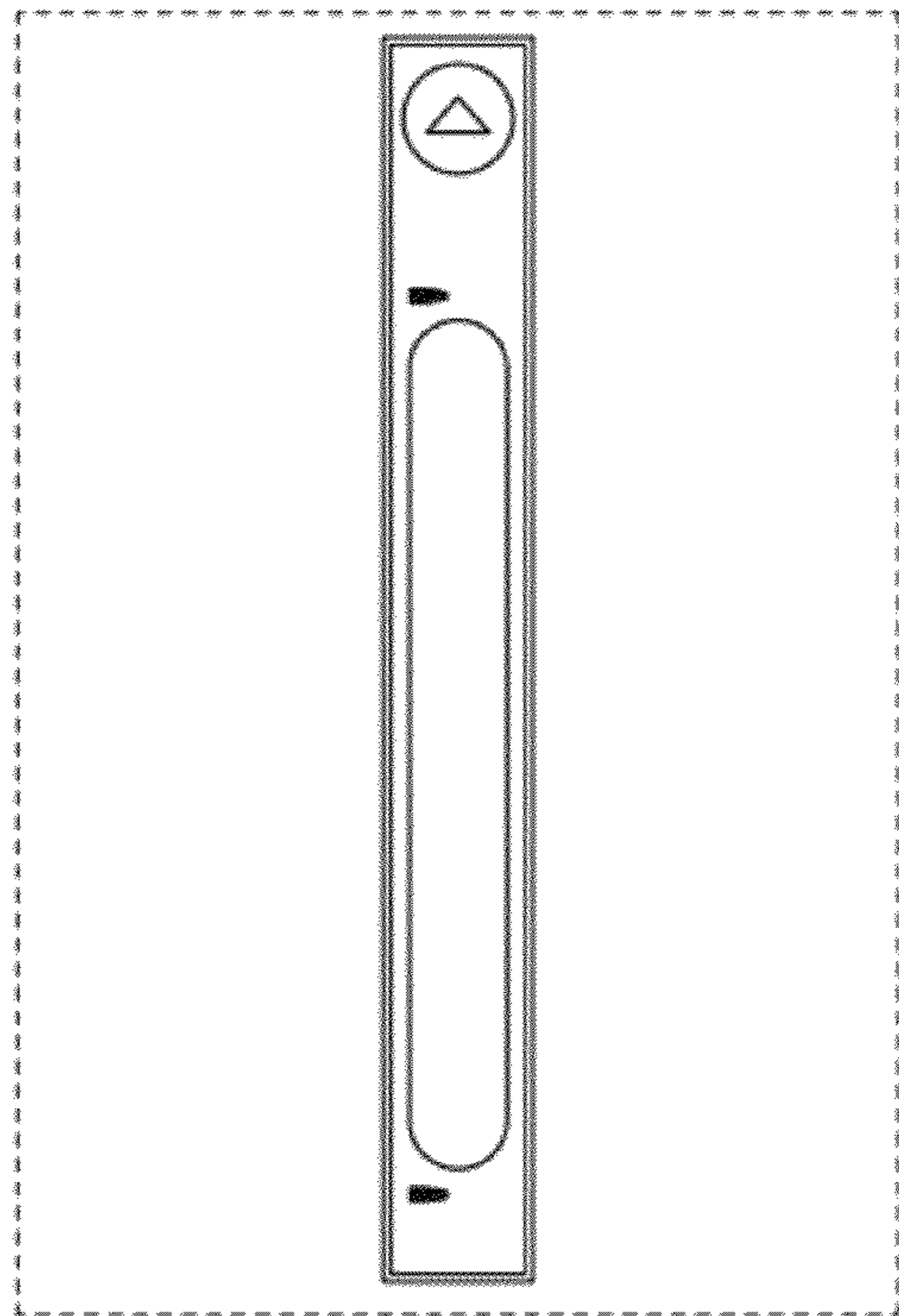


Fig. 44

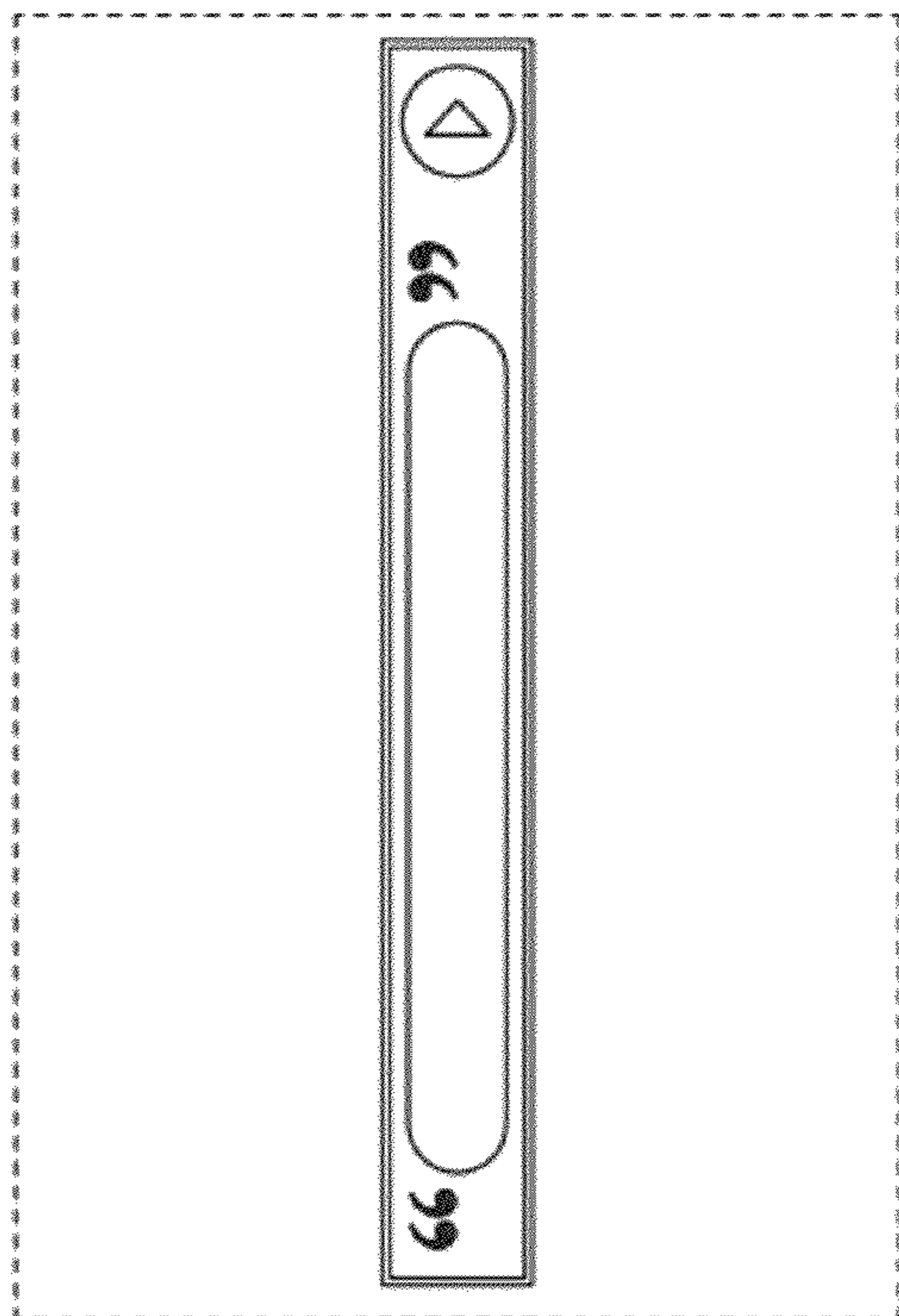


Fig. 41

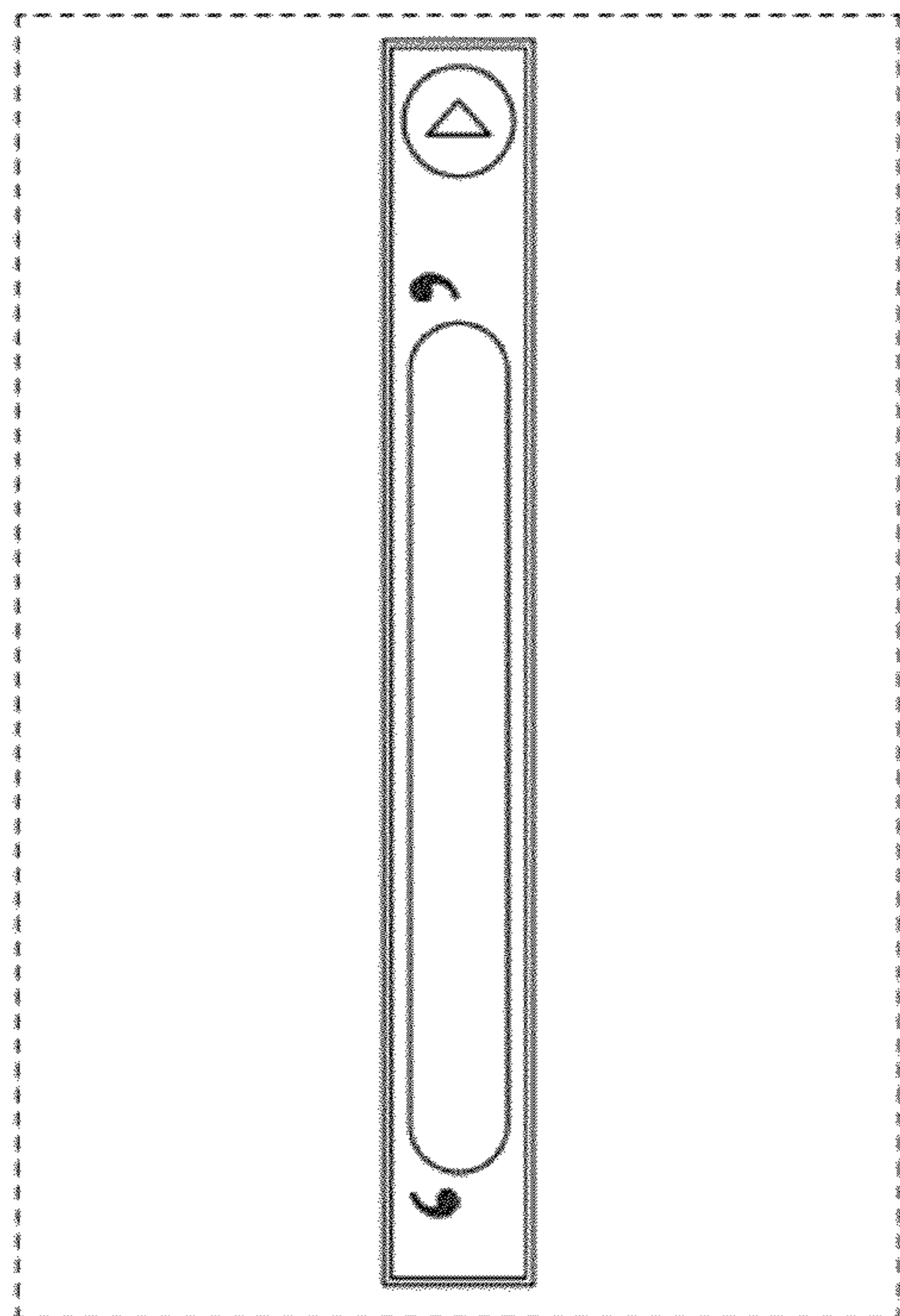


Fig. 43

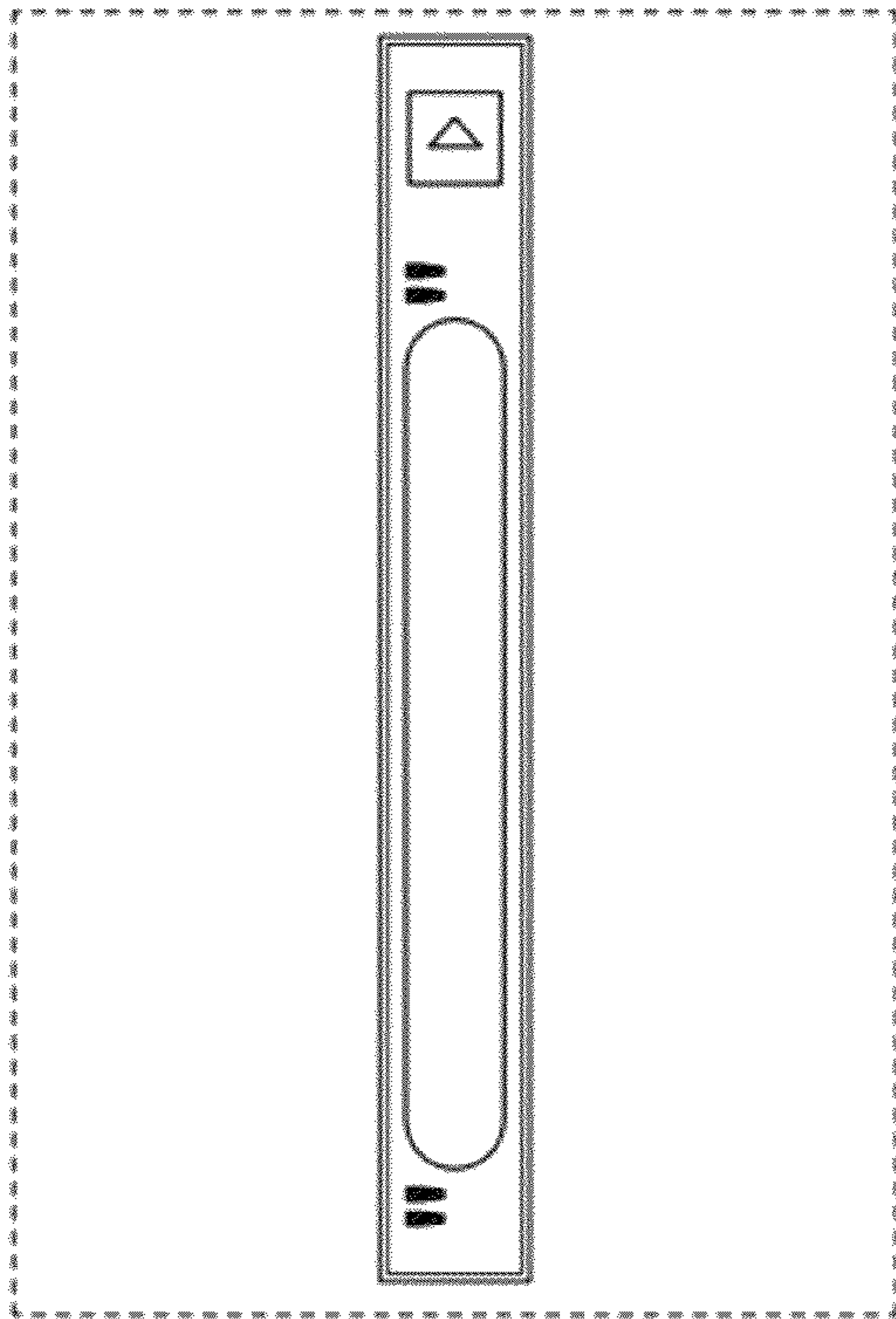


Fig. 46

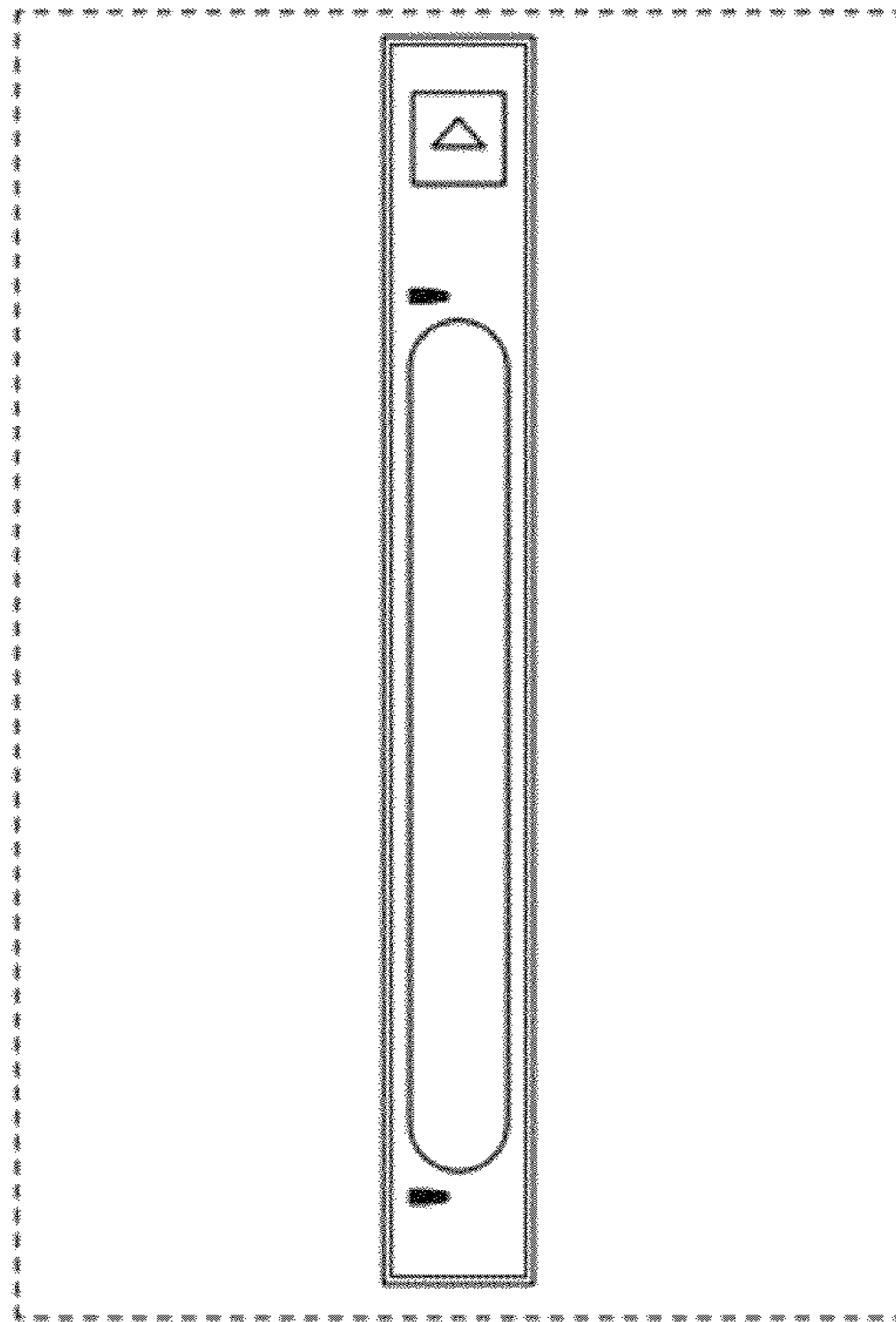


Fig. 48

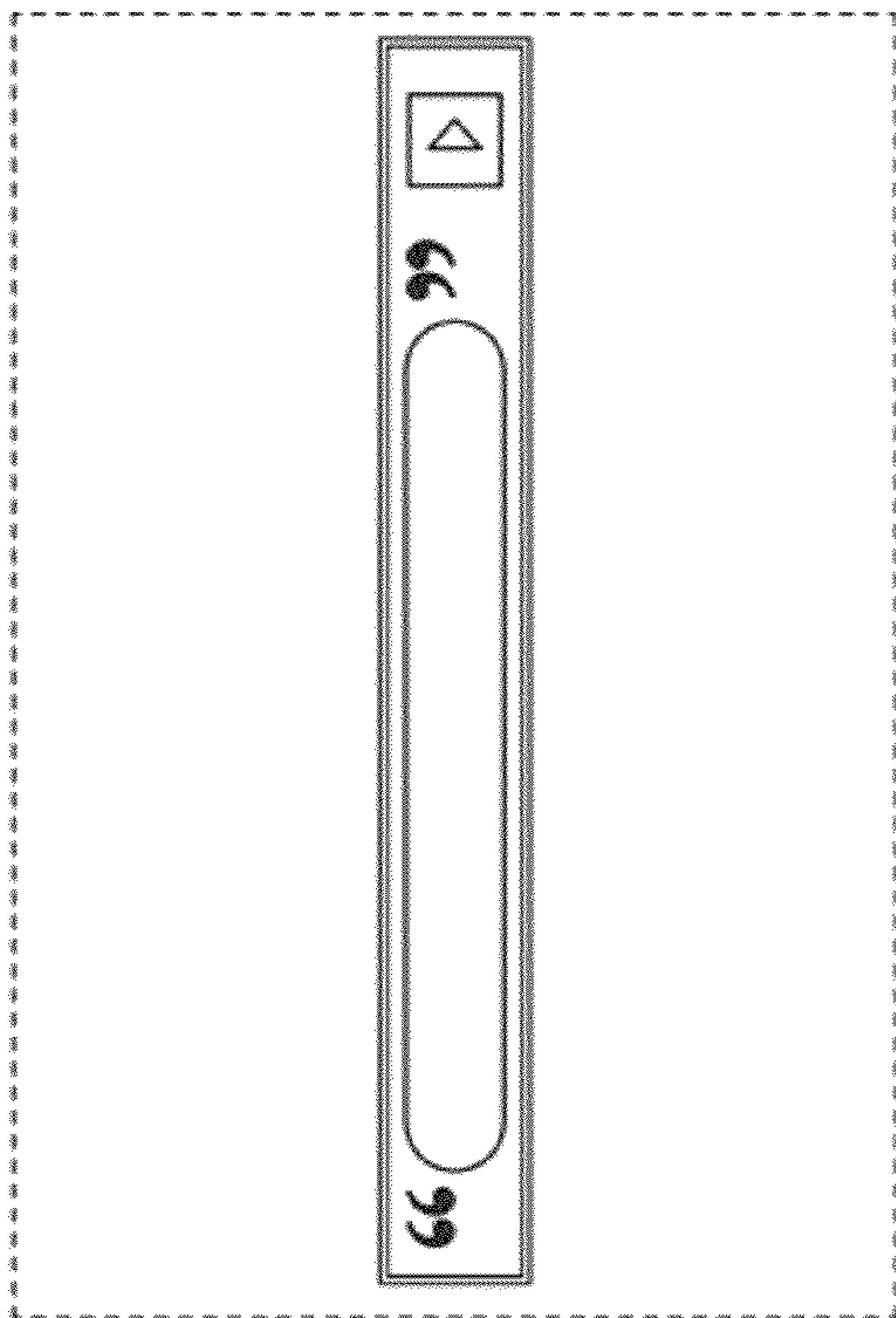


Fig. 45

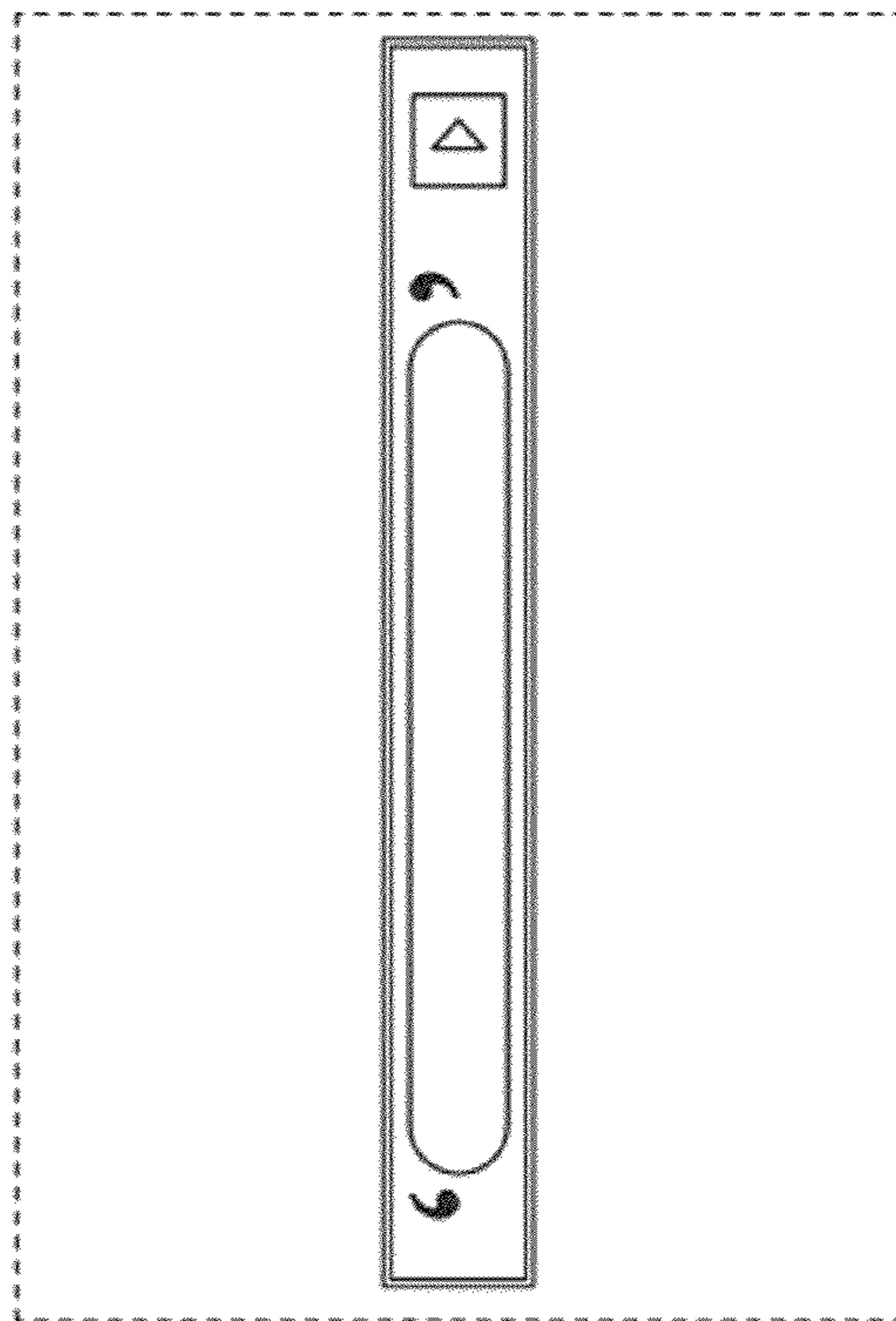


Fig. 47