



US00D660308S

(12) **United States Design Patent**
Huang

(10) **Patent No.:** **US D660,308 S**

(45) **Date of Patent:** **** May 22, 2012**

(54) **MULTIPLE MONITOR STANDS**

(76) Inventor: **Ming-Hsien Huang**, New Taipei (TW)

(**) Term: **14 Years**

(21) Appl. No.: **29/402,232**

(22) Filed: **Sep. 22, 2011**

(51) **LOC (9) Cl.** **14-02**

(52) **U.S. Cl.** **D14/452**

(58) **Field of Classification Search** D14/448,
D14/451, 452, 457, 460, 461, 432, 439, 447,
D14/127, 239, 373, 374, 377; D8/349, 354,
D8/363, 373, 376, 380; 248/519, 534, 541,
248/58, 125.8, 127, 131, 133, 139, 176.1,
248/176.3, 188.5, 279.1, 333, 917, 918, 919,
248/920, 921, 922, 923, 924; 361/679.02,
361/679.04, 679.05, 679.06, 679.07, 679.09,
361/679.21, 679.22, 679.26, 679.3; 379/454,
379/455; 312/223.3; 348/825

See application file for complete search history.

(56) **References Cited**

U.S. PATENT DOCUMENTS

RE36,978 E * 12/2000 Moscovitch 248/122.1
7,331,551 B2 * 2/2008 Oddsen, Jr. 248/279.1
7,369,401 B1 * 5/2008 Floersch et al. 361/679.27
7,529,083 B2 * 5/2009 Jeong 361/679.04

7,607,620 B2 * 10/2009 Ozolins et al. 248/122.1
D629,808 S * 12/2010 Sapper D14/452
D634,745 S * 3/2011 Park et al. D14/373
D649,552 S * 11/2011 Huang D14/452
2003/0015632 A1 * 1/2003 Dunn et al. 248/122.1
2006/0065795 A1 * 3/2006 Blackburn 248/122.1
2007/0205340 A1 * 9/2007 Jung 248/125.9
2009/0134285 A1 * 5/2009 Huang 248/124.1
2011/0075345 A1 * 3/2011 Moscovitch 361/679.22

* cited by examiner

Primary Examiner — Angela J Lee

(74) *Attorney, Agent, or Firm* — Leong C. Lei

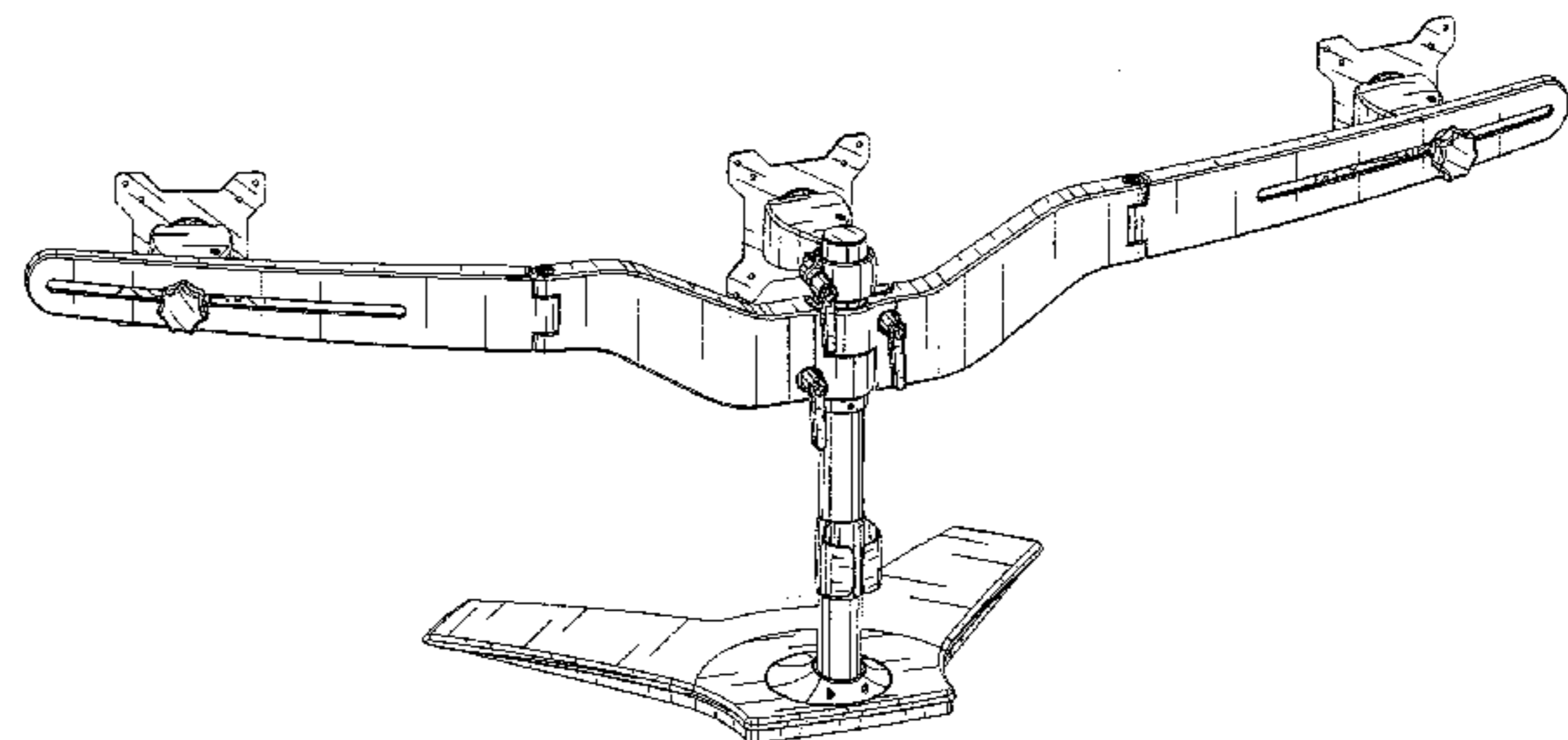
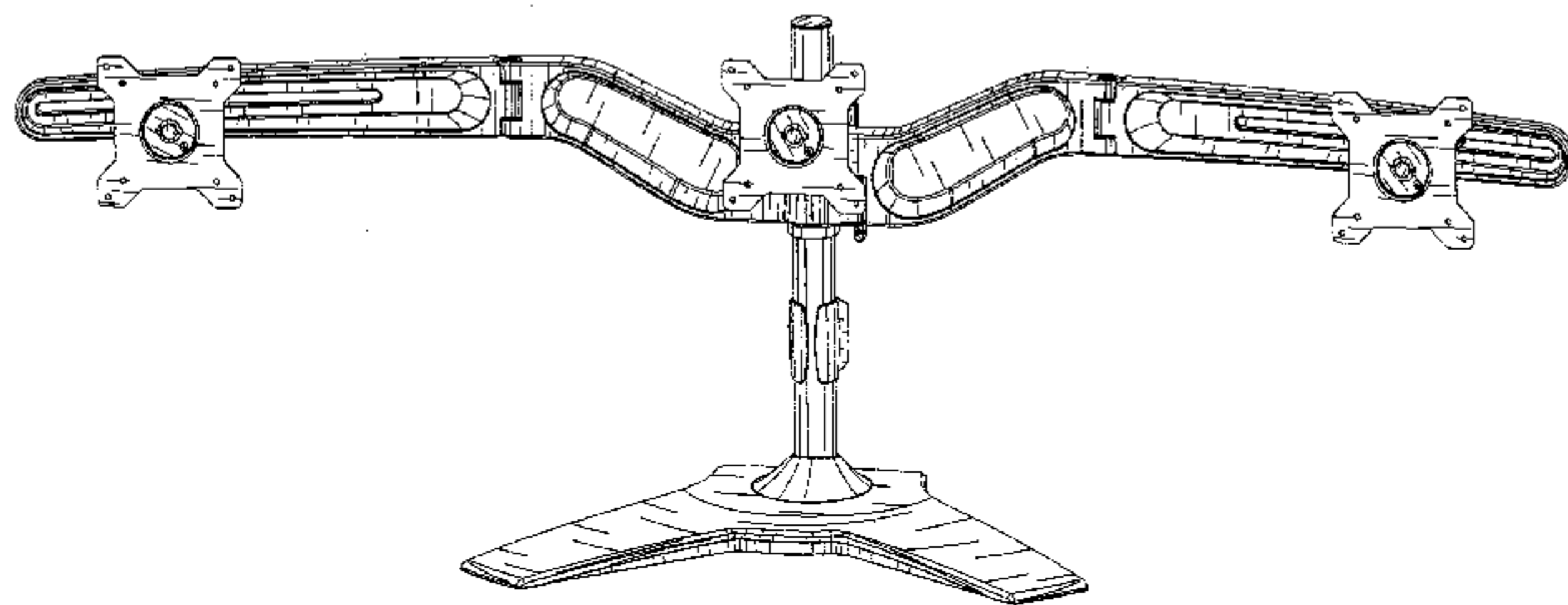
(57) **CLAIM**

The ornamental design for a multiple monitor stands, as shown and described.

DESCRIPTION

FIG. 1 is a front perspective view of a multiple monitor stands showing my new design;
FIG. 2 is a front elevational view thereof;
FIG. 3 is a rear elevational view thereof;
FIG. 4 is a left elevational view thereof;
FIG. 5 is a right elevational view thereof;
FIG. 6 is a top plan view thereof;
FIG. 7 is a rear perspective view thereof; and,
FIG. 8 is another rear perspective view thereof, showing the arms being adjusted apart.

1 Claim, 7 Drawing Sheets



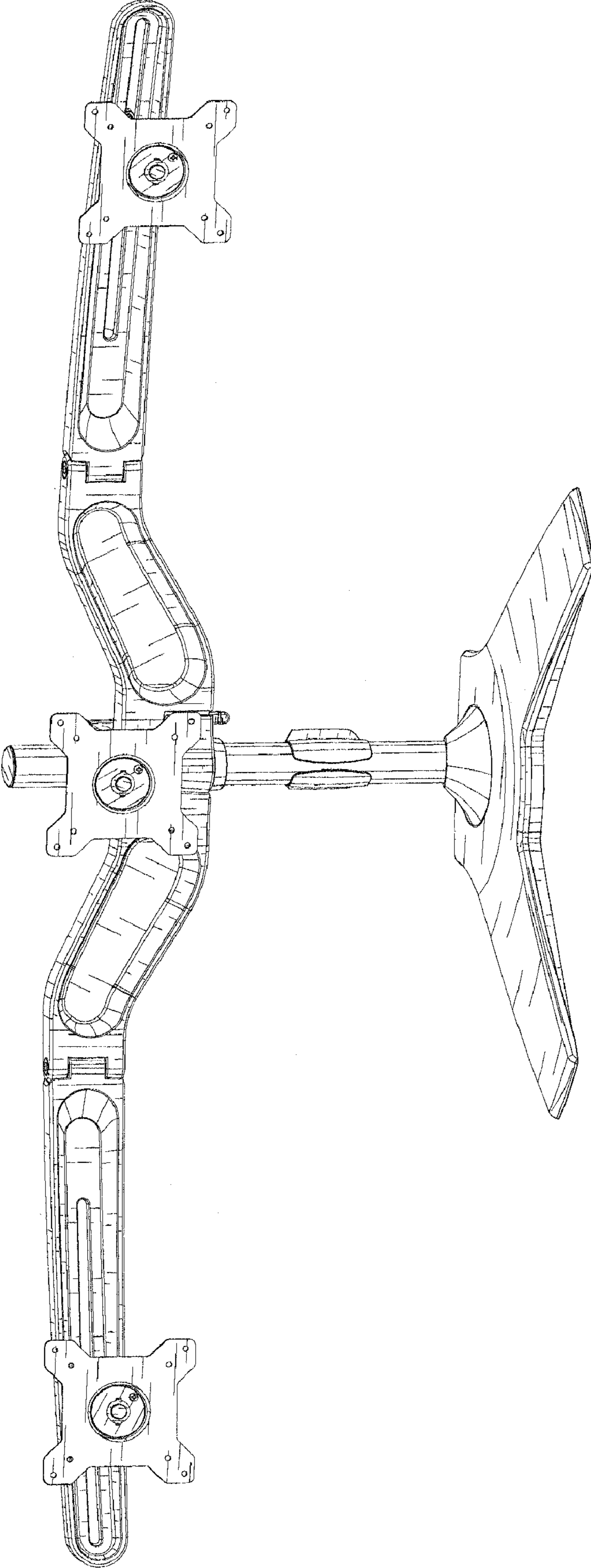


FIG. 1

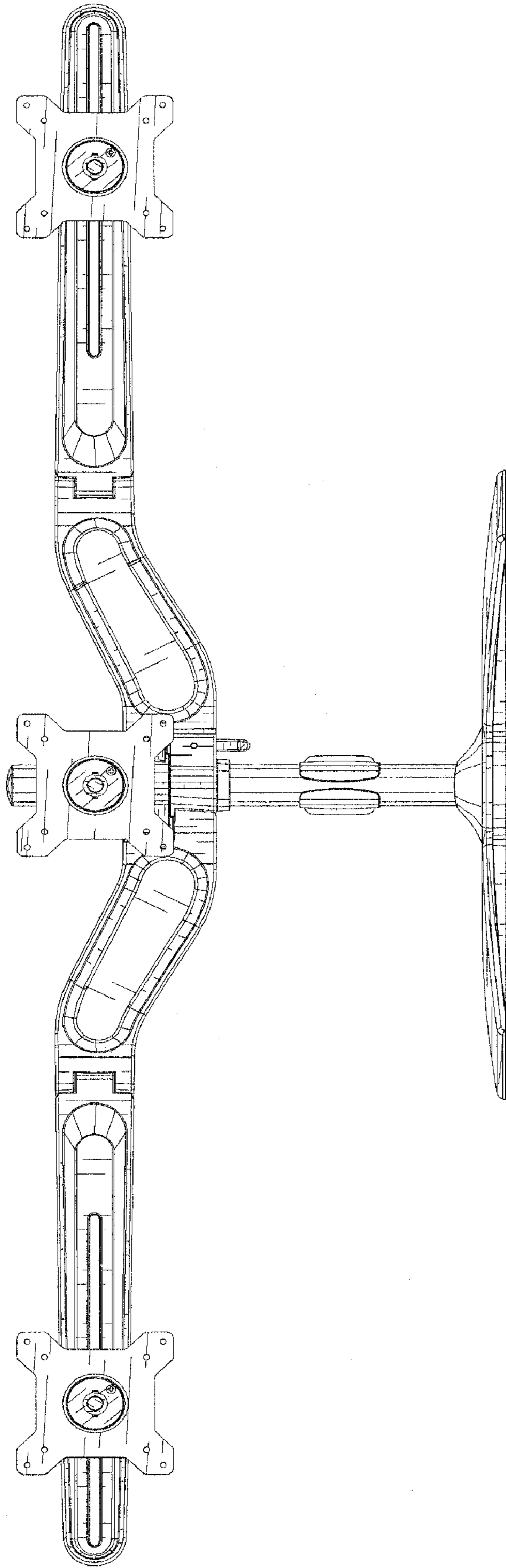


FIG. 2

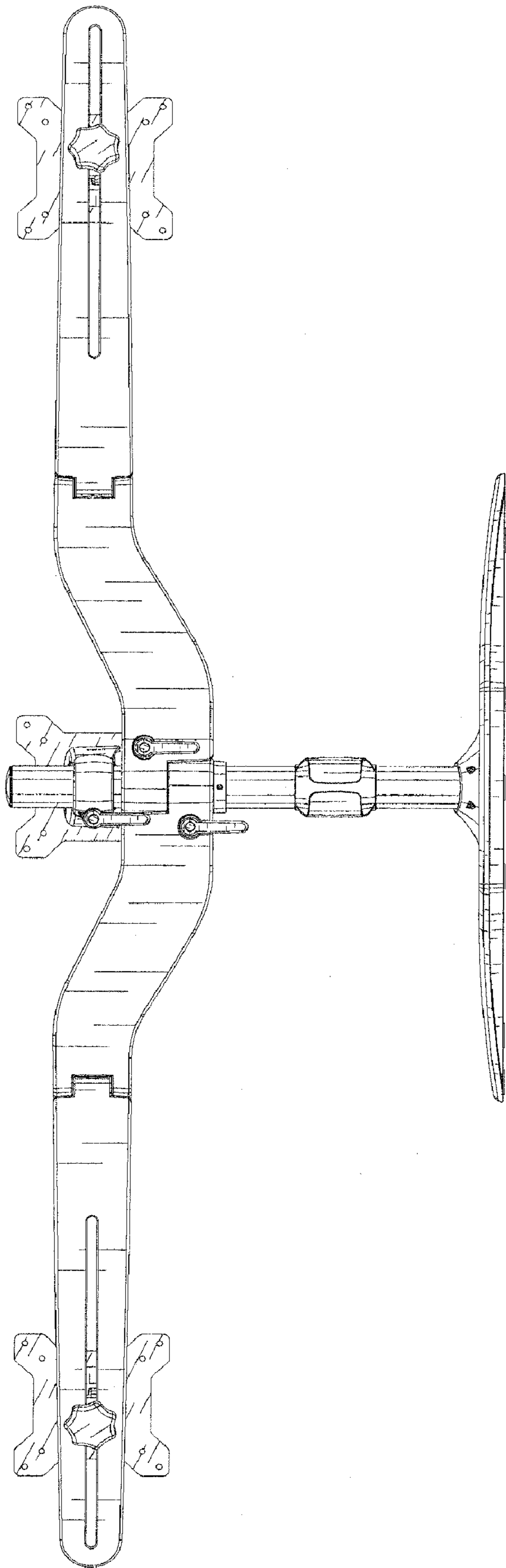


FIG. 3

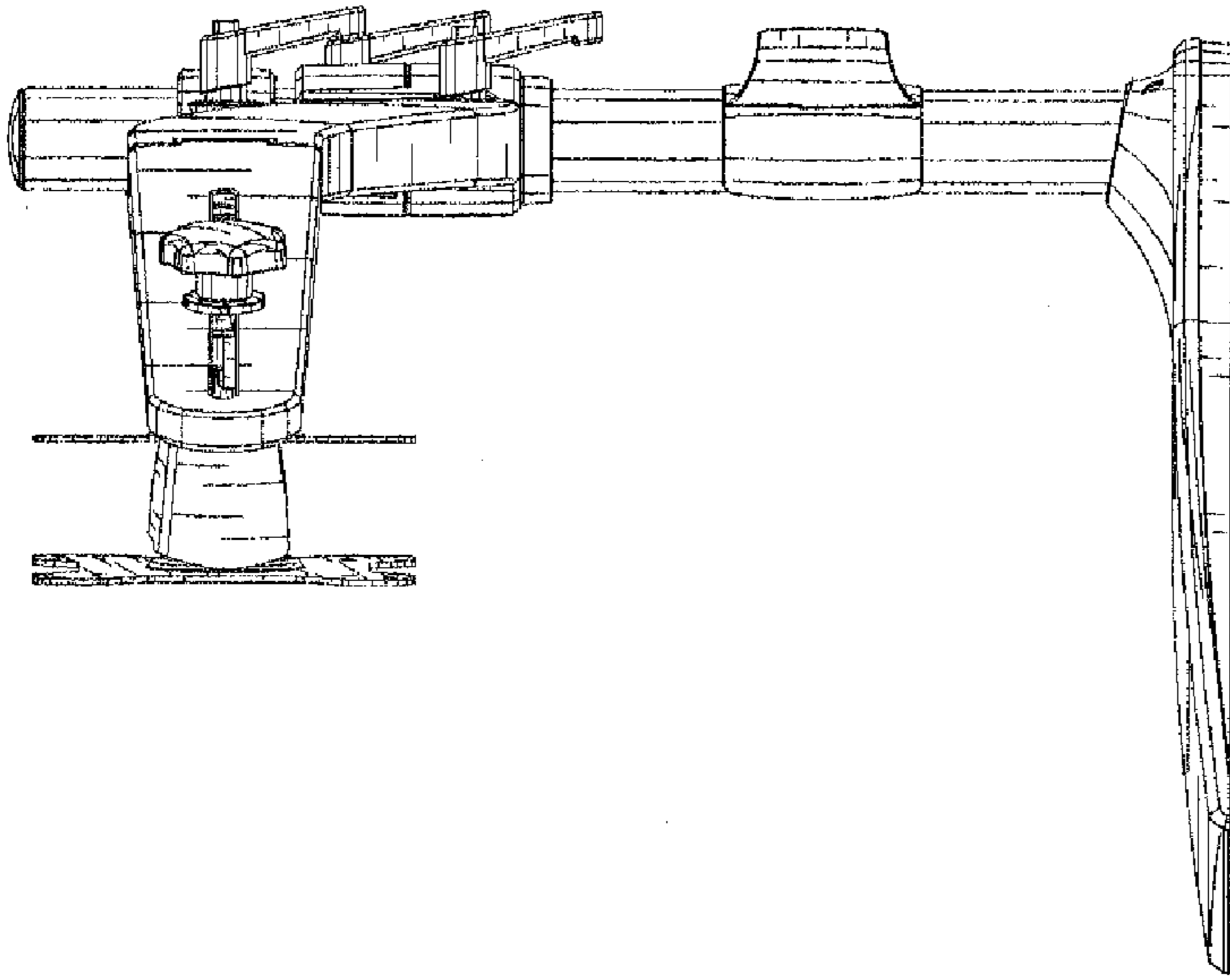


FIG. 5

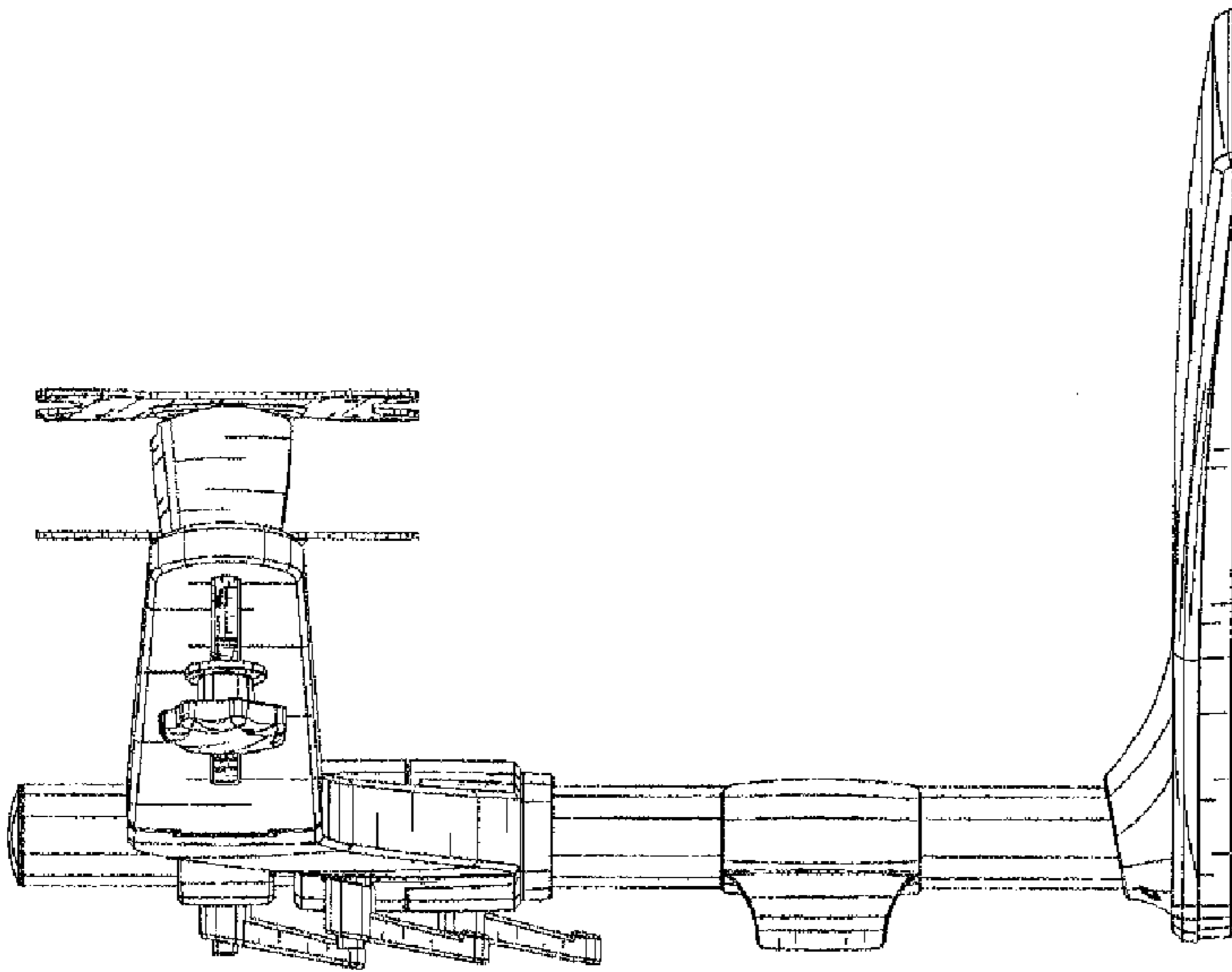


FIG. 4

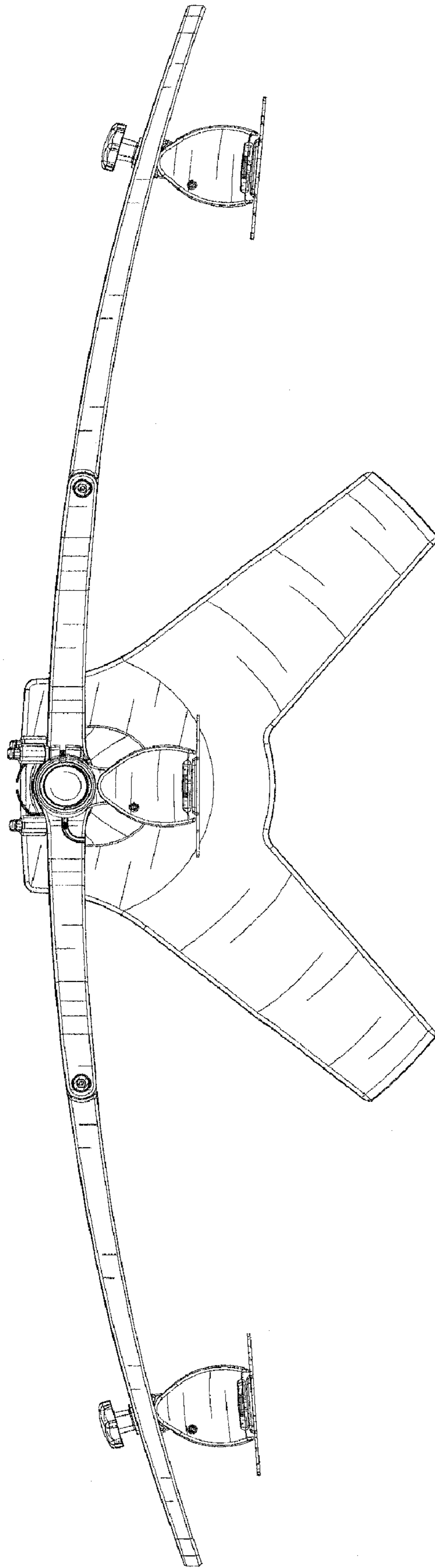


FIG. 6

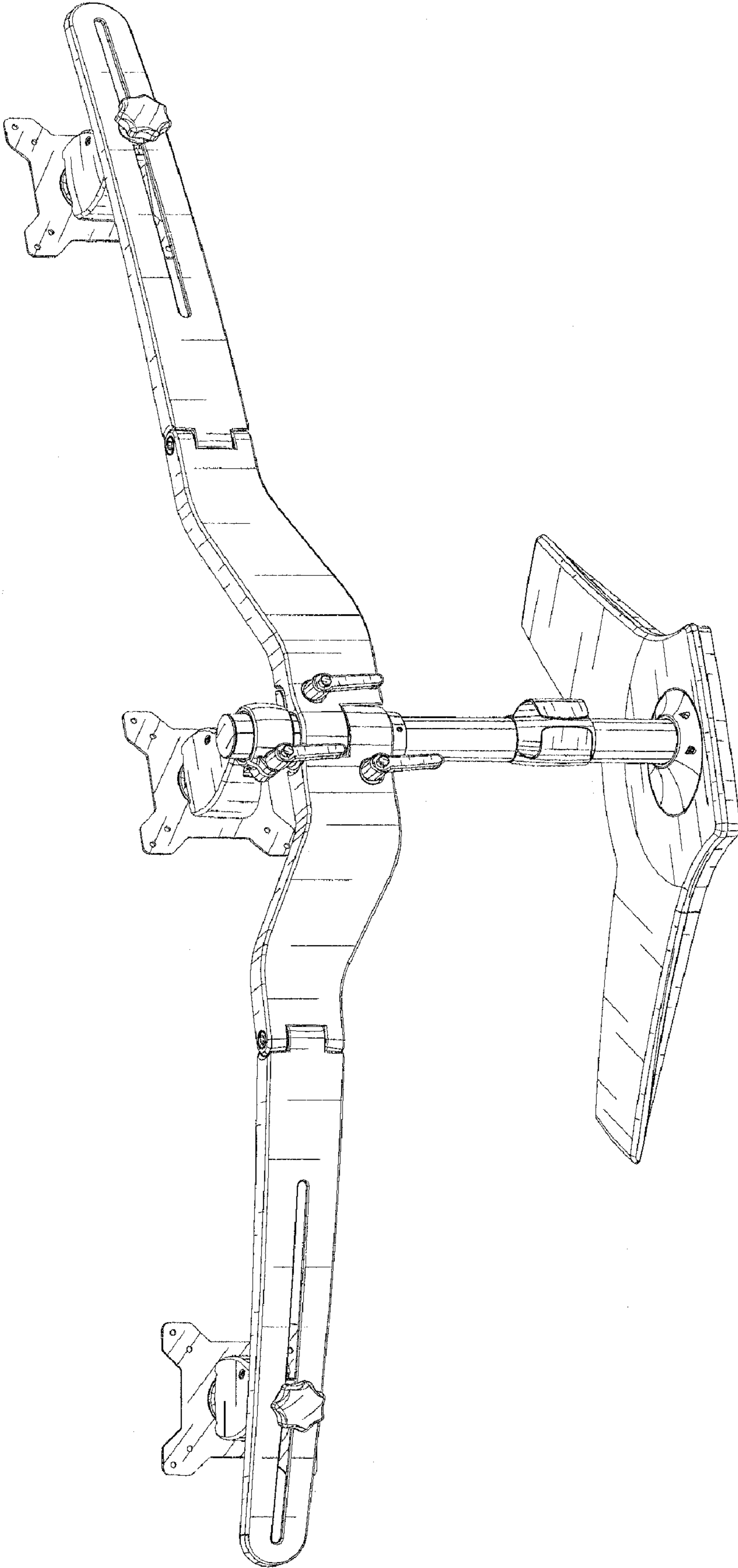


FIG. 7

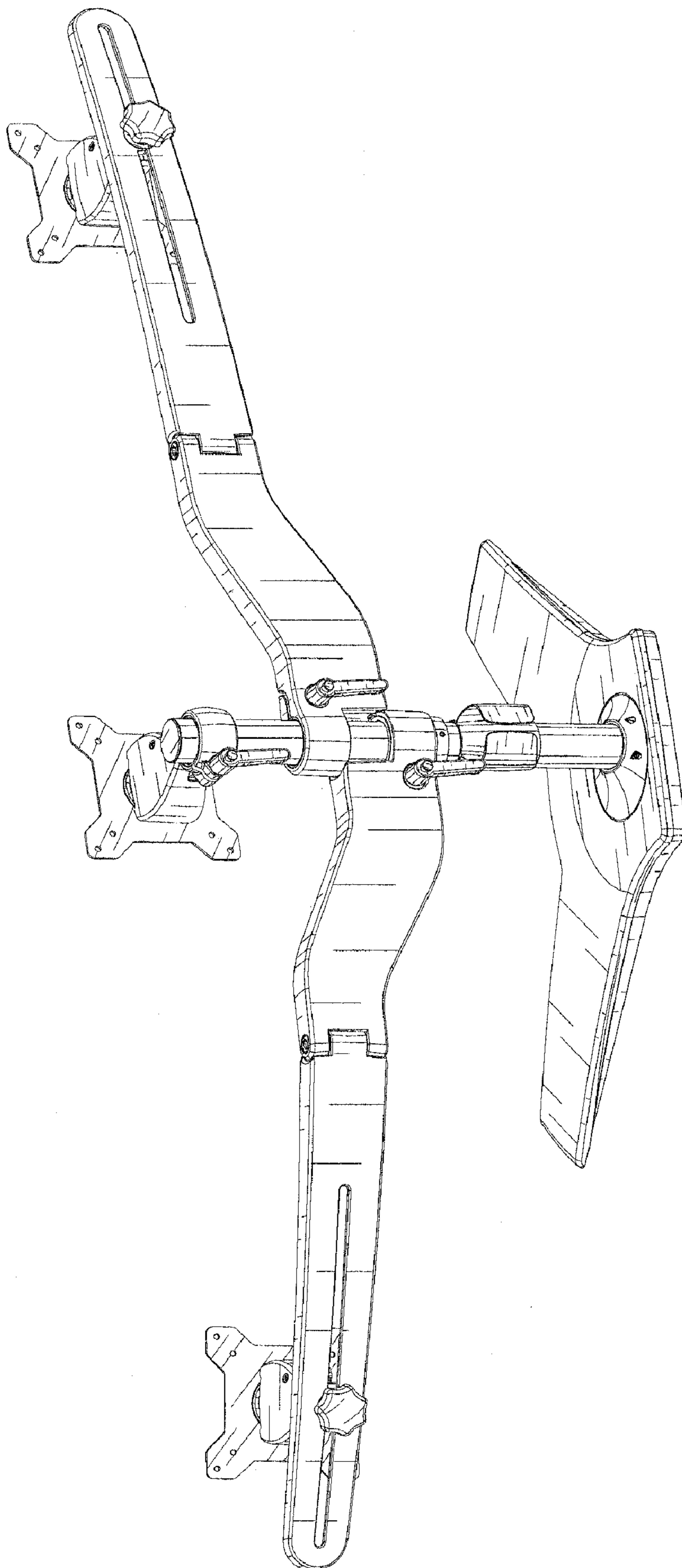


FIG. 8