



US00D660307S

(12) **United States Design Patent**
Huang

(10) **Patent No.:** **US D660,307 S**
(45) **Date of Patent:** **** May 22, 2012**

(54) **DISPLAY WALL MOUNT**

(76) Inventor: **Ming-Hsien Huang**, New Taipei (TW)

(**) Term: **14 Years**

(21) Appl. No.: **29/388,378**

(22) Filed: **Mar. 29, 2011**

(51) **LOC (9) Cl.** **14-02**

(52) **U.S. Cl.** **D14/452**

(58) **Field of Classification Search** D14/452,
D14/451, 448, 447, 239, 253; D8/349, 363,
D8/373, 380; 248/917-924, 122.1, 124.1,
248/125.8, 371, 393, 157, 425, 176.1, 186.1;
361/679.02, 679.04, 679.05, 679.06, 679.07,
361/679.21, 679.22

See application file for complete search history.

(56) **References Cited**

U.S. PATENT DOCUMENTS

D520,017 S *	5/2006	van Kuijk et al.	D14/452
D558,564 S *	1/2008	Ciungan	D8/363
7,395,996 B2 *	7/2008	Dittmer	248/291.1
D580,742 S *	11/2008	Short	D8/363
D580,743 S *	11/2008	Short	D8/363
D603,852 S *	11/2009	Le	D14/239
D605,185 S *	12/2009	Russell et al.	D14/239

D606,522 S *	12/2009	Le	D14/239
D611,479 S *	3/2010	Hau et al.	D14/452
D631,876 S *	2/2011	Molter et al.	D14/239
D634,328 S *	3/2011	Grey et al.	D14/452
D642,583 S *	8/2011	Dittmer et al.	D14/452

* cited by examiner

Primary Examiner — Angela J Lee

(74) *Attorney, Agent, or Firm* — Leong C. Lei

(57) **CLAIM**

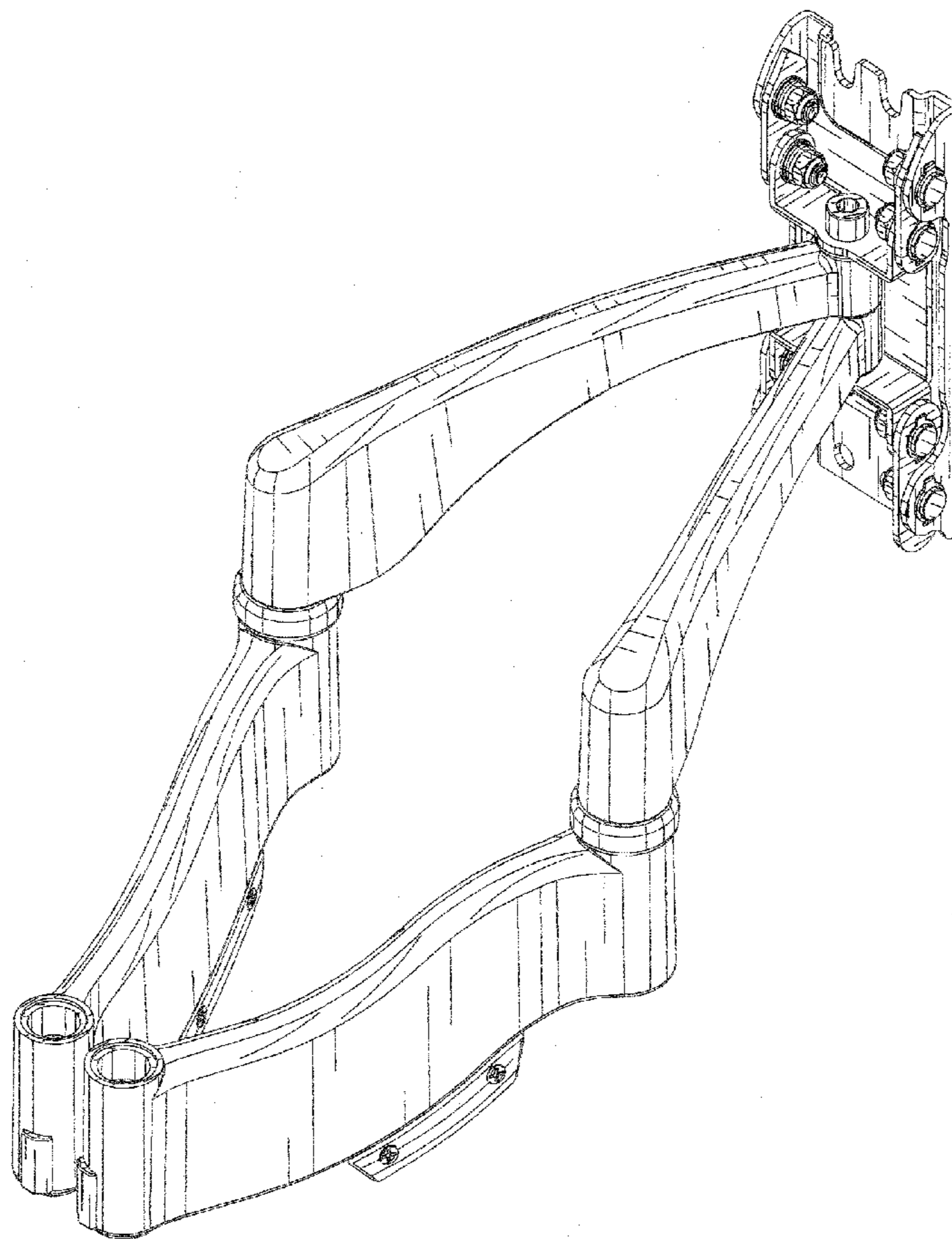
The ornamental design for a display wall mount, as shown and described.

DESCRIPTION

FIG. 1 is a front perspective view of a display wall mount showing my new design; FIG. 2 is a front elevational view thereof; FIG. 3 is a rear elevational view thereof; FIG. 4 is a left elevational view thereof; FIG. 5 is a right elevational view thereof; FIG. 6 is a top plan view thereof; and, FIG. 7 is a bottom plan view thereof.

The broken lines shown in the drawings illustrate portions of the article and form no part of the claimed design.

1 Claim, 5 Drawing Sheets



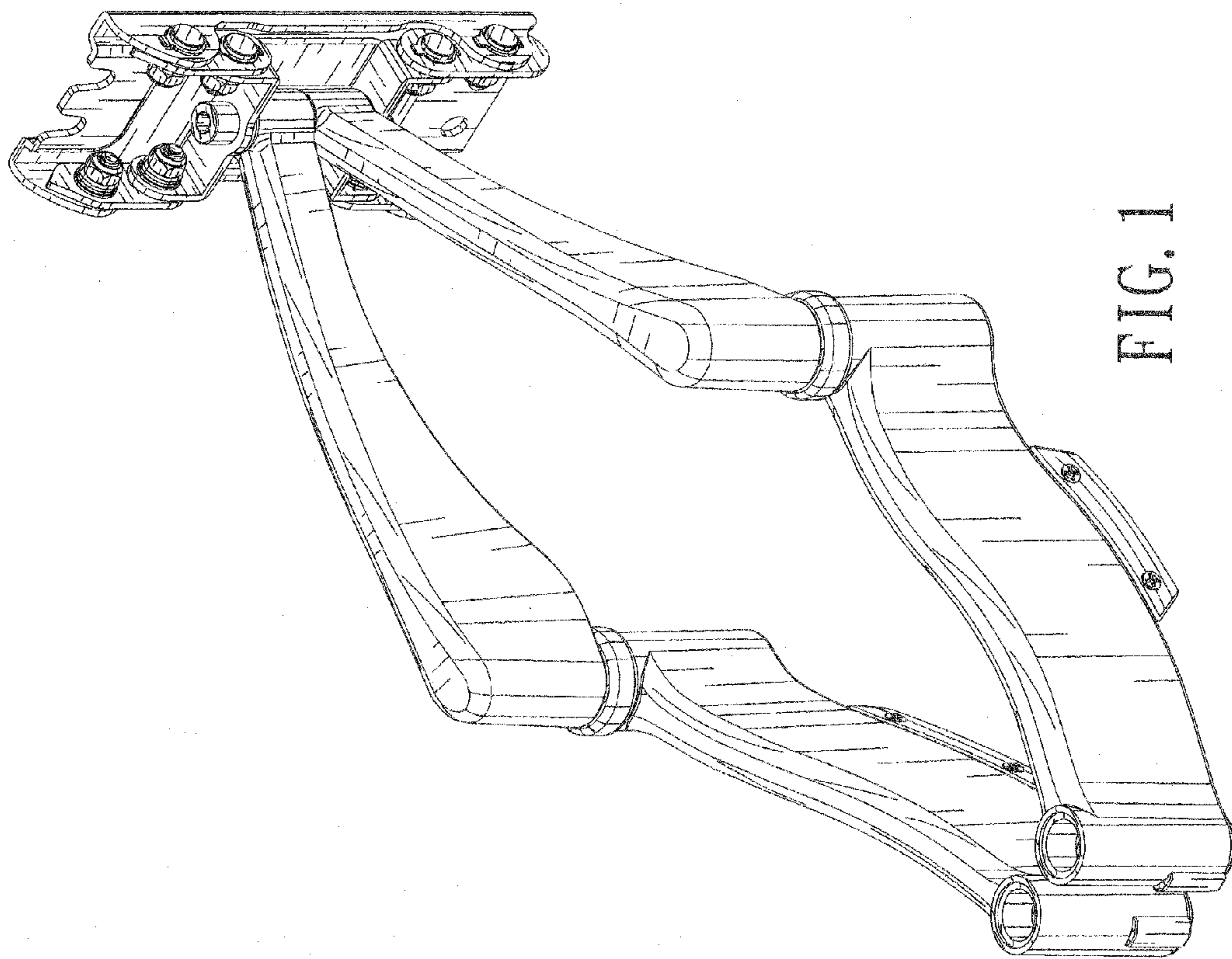


FIG. 1

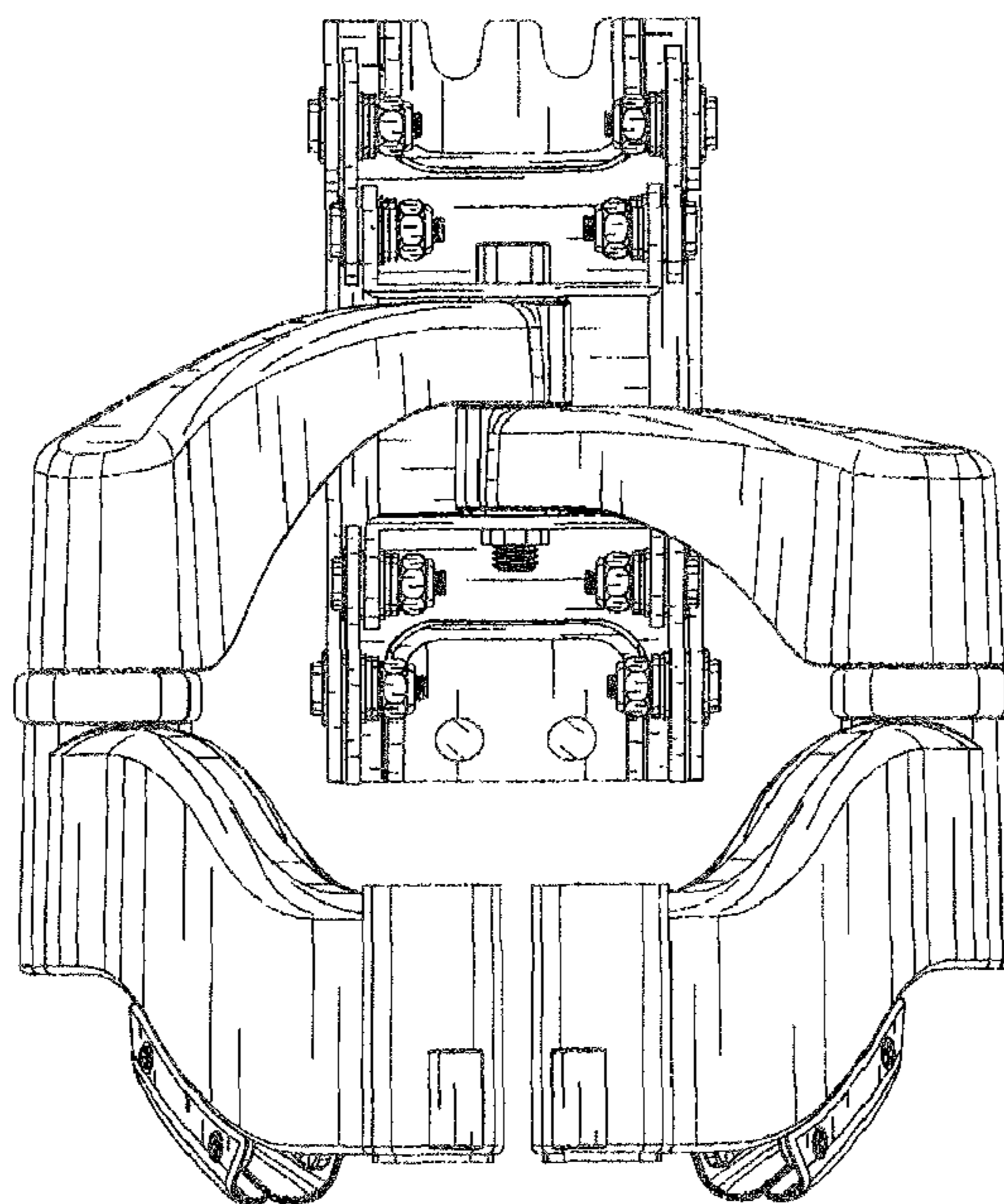


FIG. 2

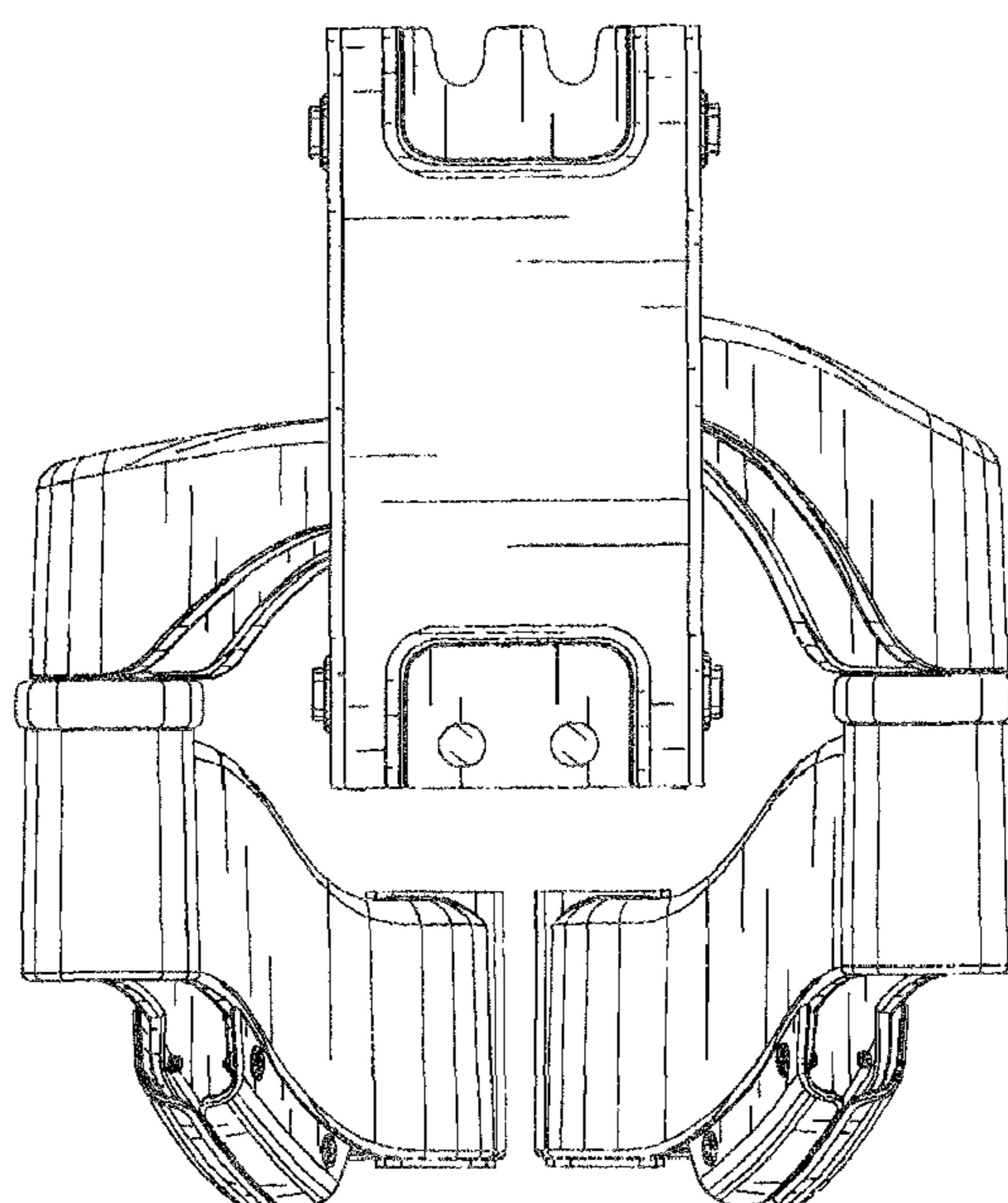


FIG. 3

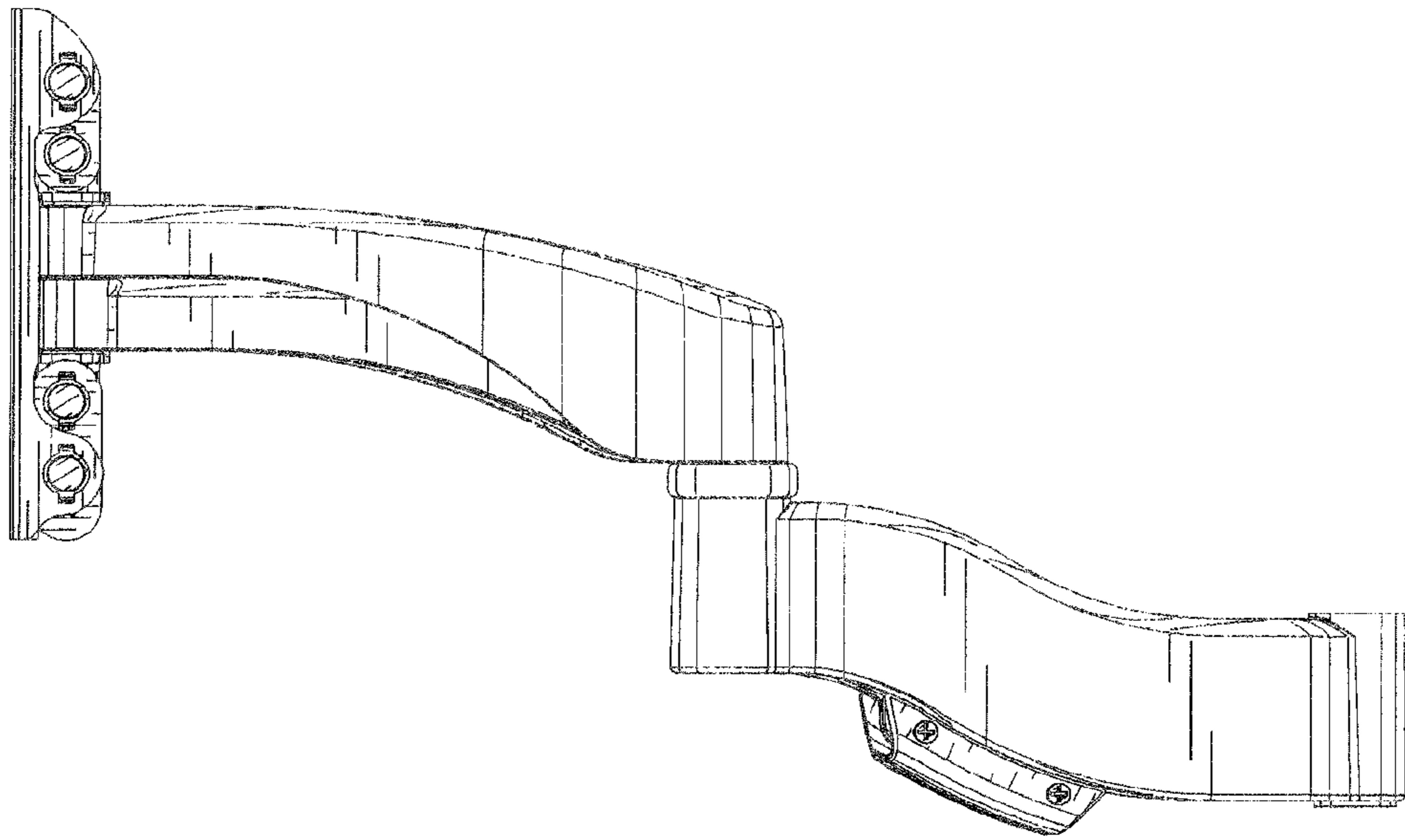


FIG. 4

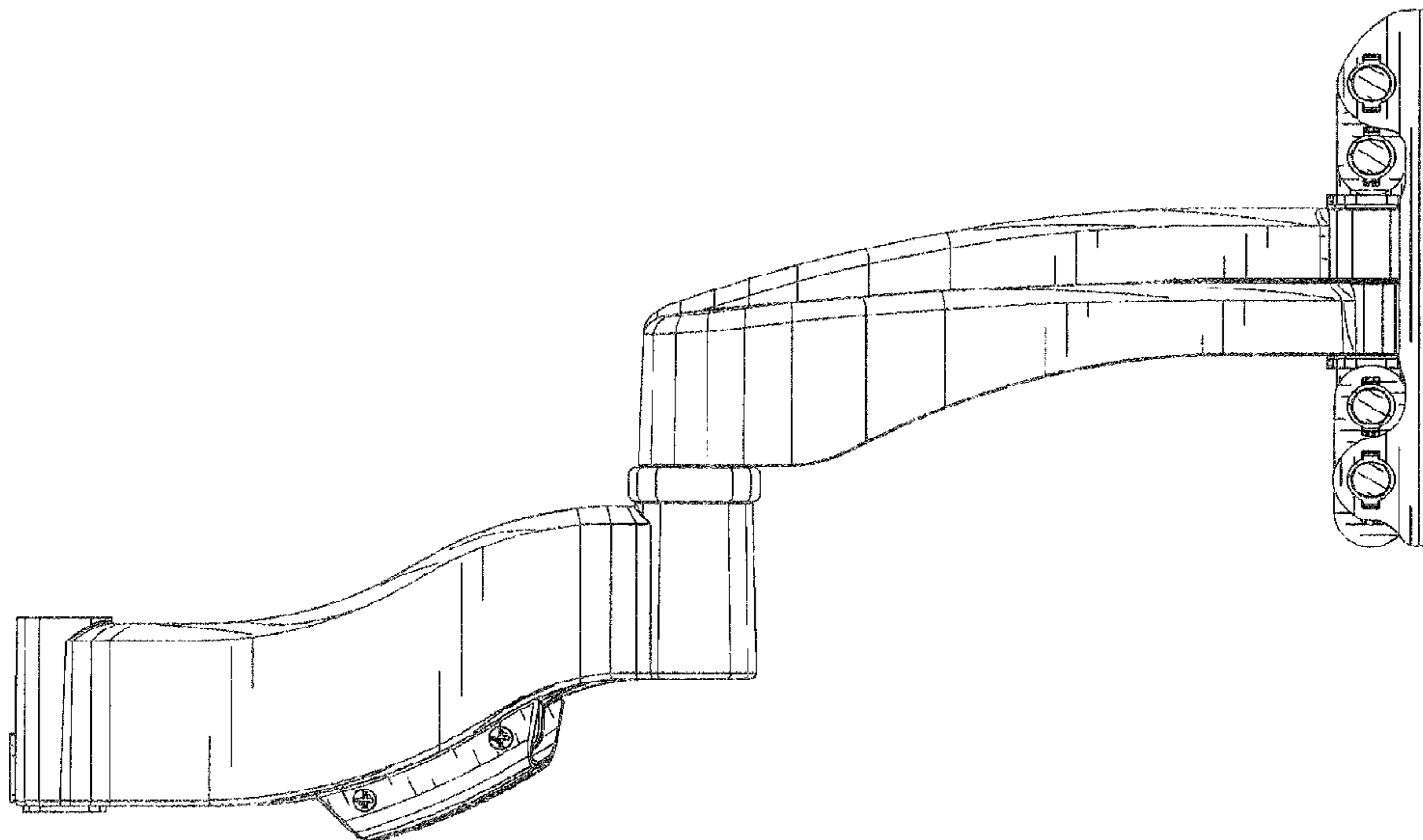


FIG. 5

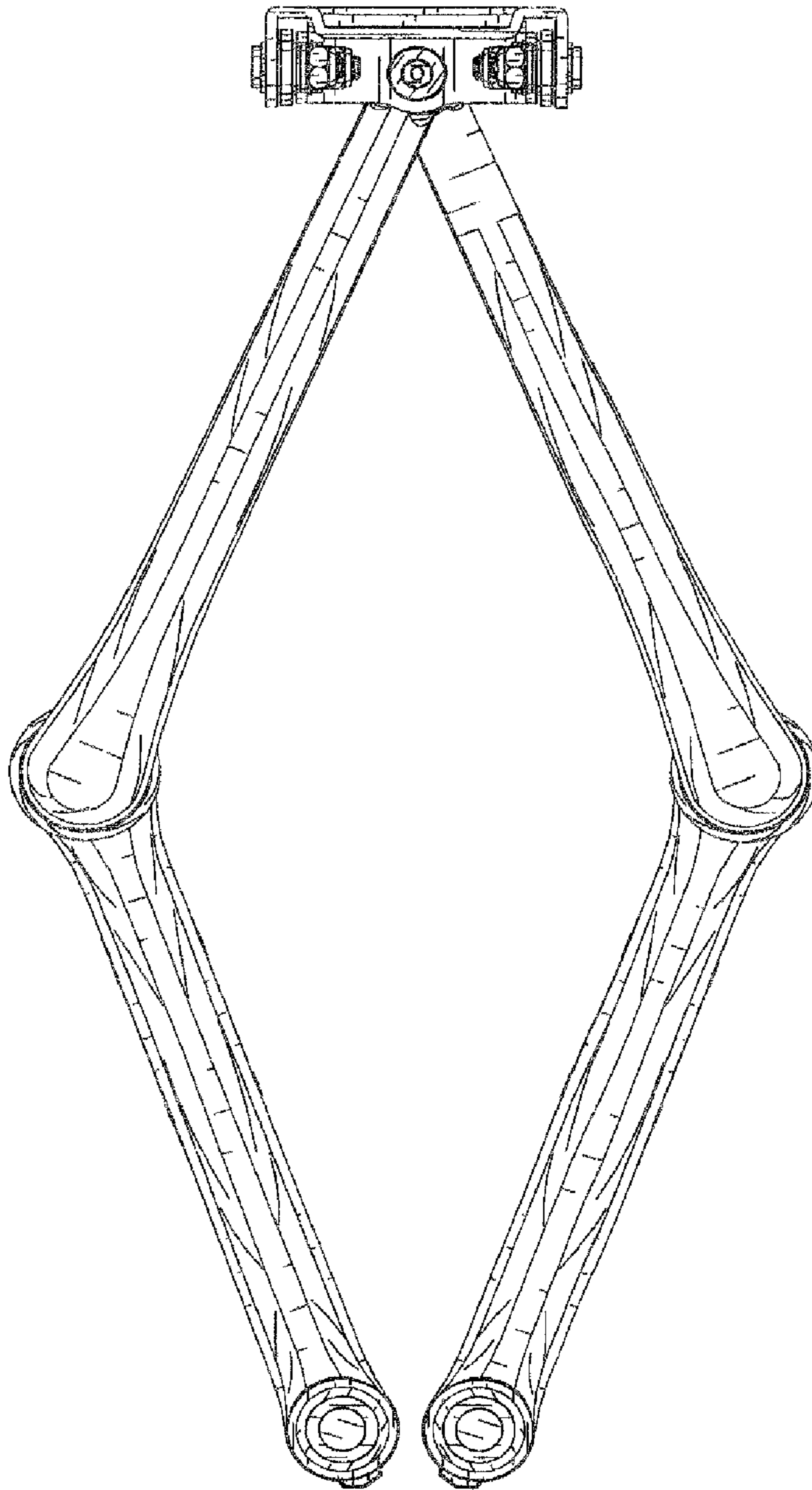


FIG. 6

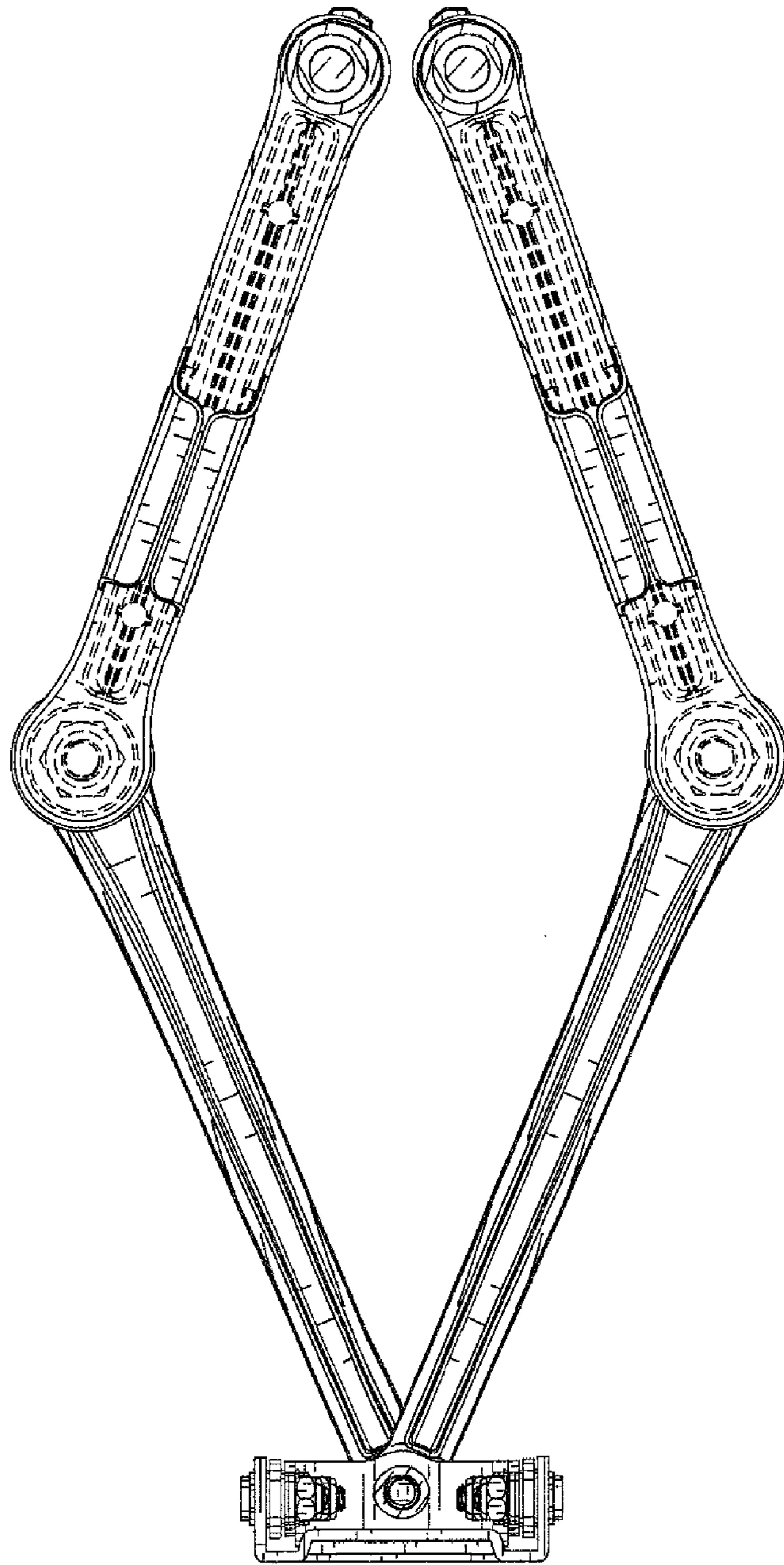


FIG. 7