



US00D660299S

(12) **United States Design Patent**
Vroom et al.

(10) **Patent No.:** **US D660,299 S**

(45) **Date of Patent:** **** May 22, 2012**

(54) **DOCKING STATION FOR PORTABLE ELECTRONICS WITH VOIDS FOR CONNECTOR PASS-THROUGH**

D618,689 S * 6/2010 Shimizu D14/434
2003/0048599 A1 * 3/2003 Martin 361/683
2008/0219488 A1 * 9/2008 Crooijmans et al. 381/333

* cited by examiner

(76) Inventors: **Matthew Leigh Vroom**, Dallas, TX (US); **Benjamin Edwards Maskell**, Arlington, VA (US)

Primary Examiner — Freda S Nunn

(74) *Attorney, Agent, or Firm* — Benjamin E. Maskell

(**) Term: **14 Years**

(57) **CLAIM**

The ornamental design for a docking station for portable electronics with voids for connector pass-through, as shown and described.

(21) Appl. No.: **29/389,947**

(22) Filed: **Apr. 18, 2011**

DESCRIPTION

(51) **LOC (9) Cl.** **14-02**

(52) **U.S. Cl.** **D14/434**

(58) **Field of Classification Search** D14/432-434, D14/314, 204, 420, 421, 447, 217, 358; D13/107, D13/108, 146; D8/373; 248/346.03, 176.1; 361/679.41, 679.31, 679.32, 679.4, 679.43, 361/679.55, 679.33; 320/109, 112-115; 710/15, 303; 455/557

See application file for complete search history.

FIG. 1 is a left side view of a docking station for portable electronics;

FIG. 2 is an isometric view of the bottom and back of a docking station for portable electronics;

FIG. 3 is an isometric view of the top, left side, and back of a docking station for portable electronics;

FIG. 4 is a back view of a docking station for portable electronics;

FIG. 5 is a top view of a docking station for portable electronics;

FIG. 6 is a bottom view of a docking station for portable electronics;

FIG. 7 is a right side view of a docking station for portable electronics; and,

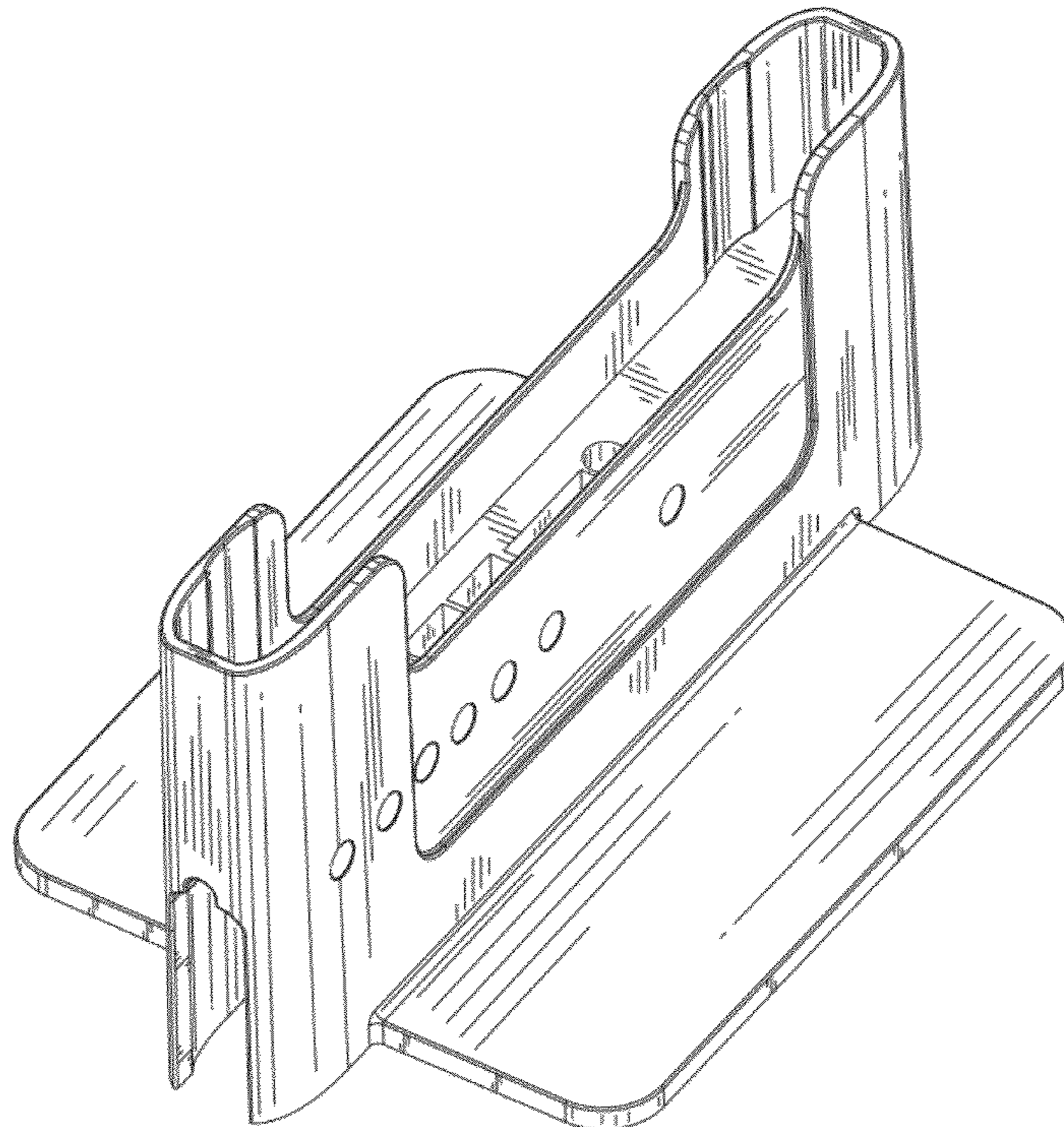
FIG. 8 is a front view of a docking station for portable electronics.

(56) **References Cited**

U.S. PATENT DOCUMENTS

5,248,264 A * 9/1993 Long et al. 439/347
D351,133 S * 10/1994 Jungels-Butler et al. D13/108
D471,906 S * 3/2003 Salazar et al. D14/253
D487,897 S * 3/2004 Huang et al. D14/434
D502,913 S * 3/2005 Fukami et al. D13/108
D523,847 S * 6/2006 Naruki D14/224.1
D552,611 S * 10/2007 Hagiwara et al. D14/434

1 Claim, 8 Drawing Sheets



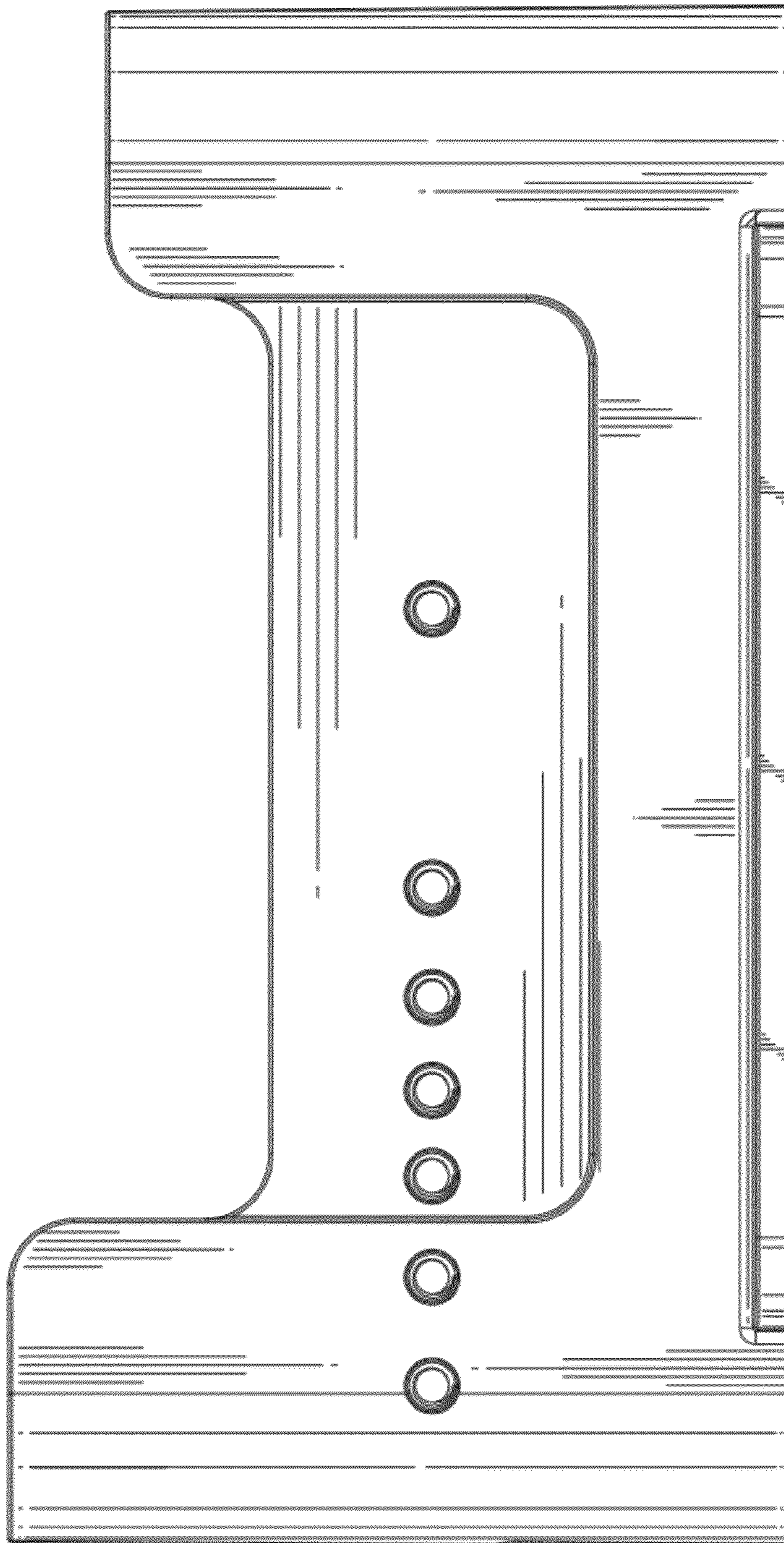


FIG. 1

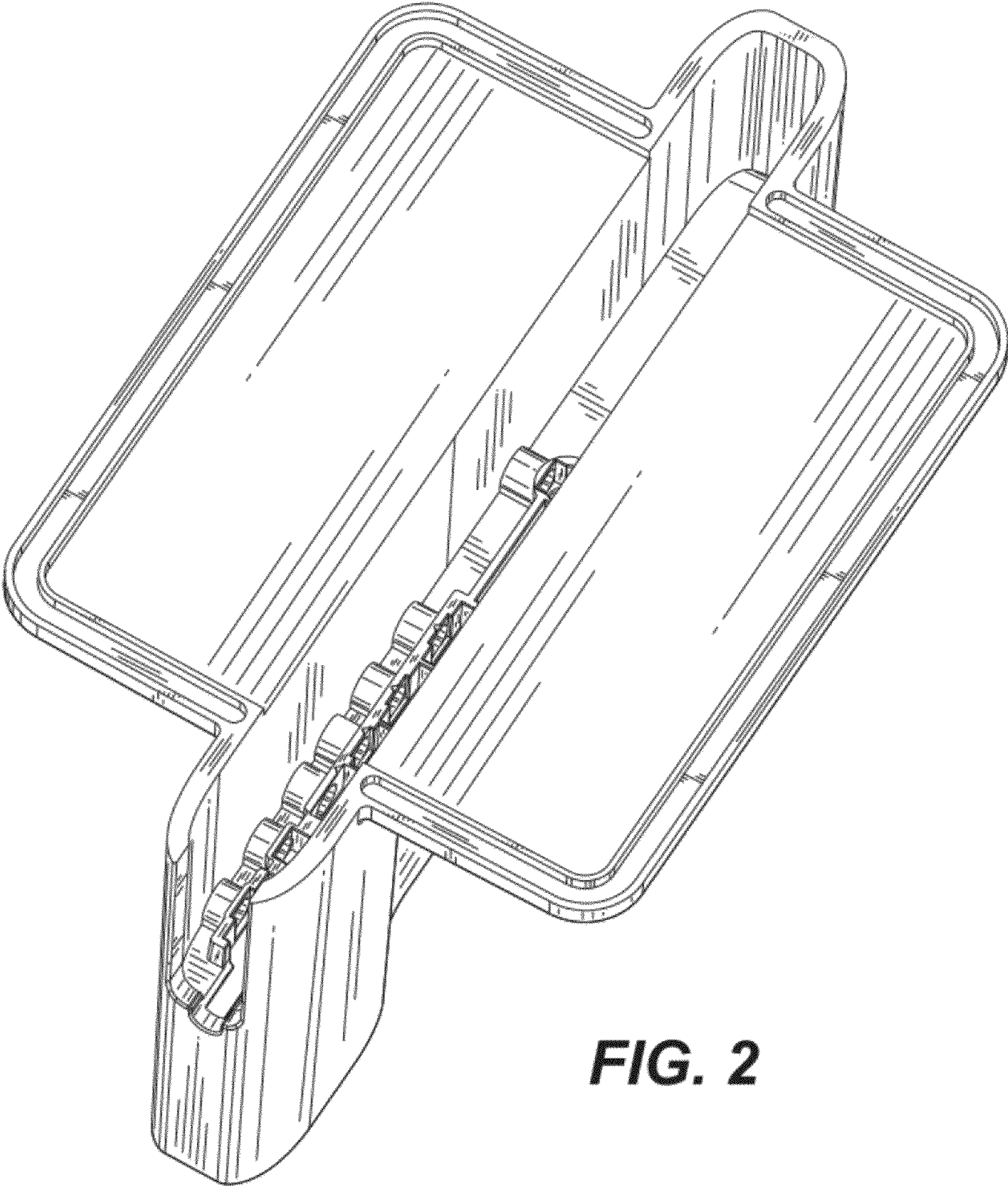


FIG. 2

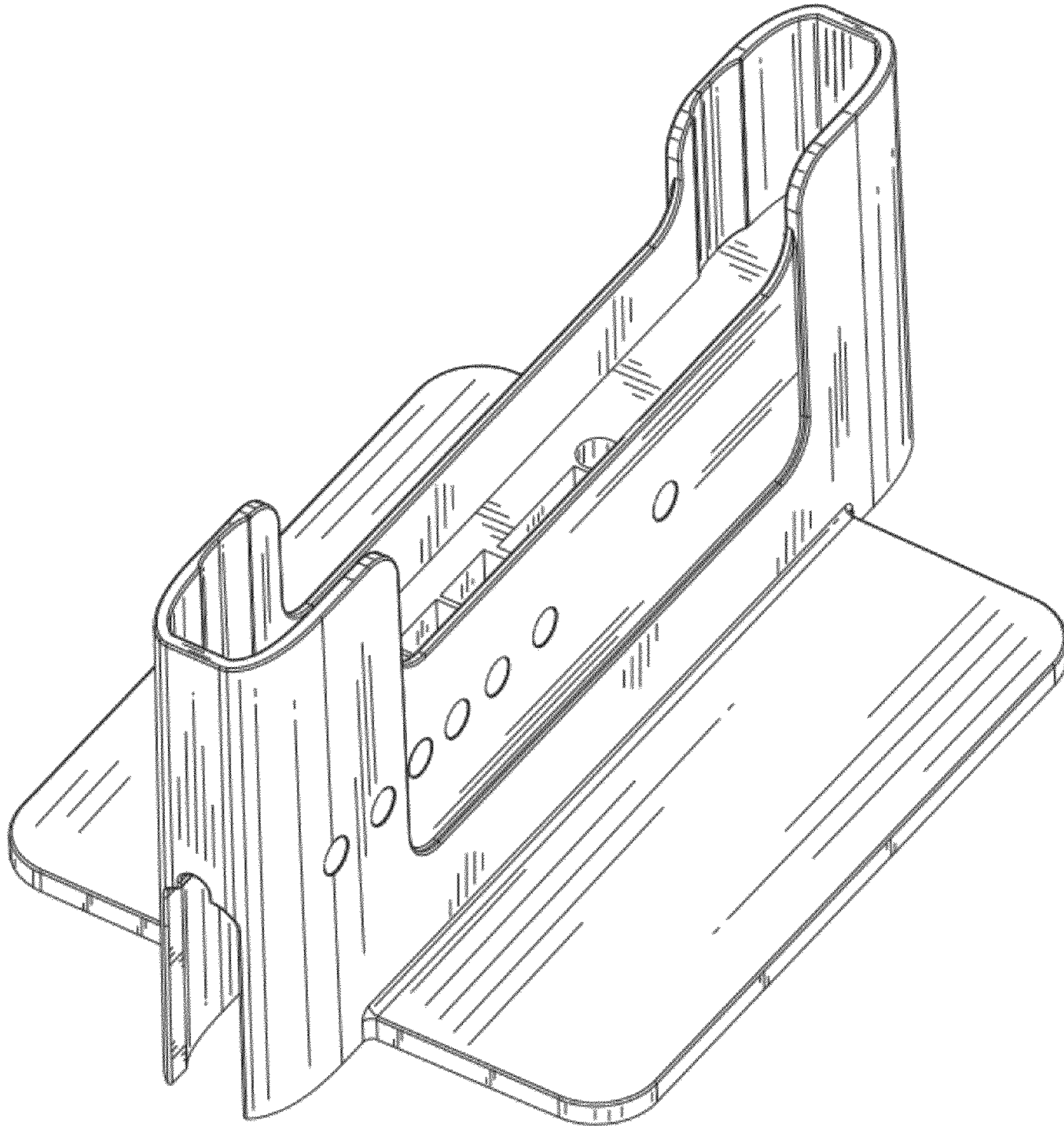


FIG. 3

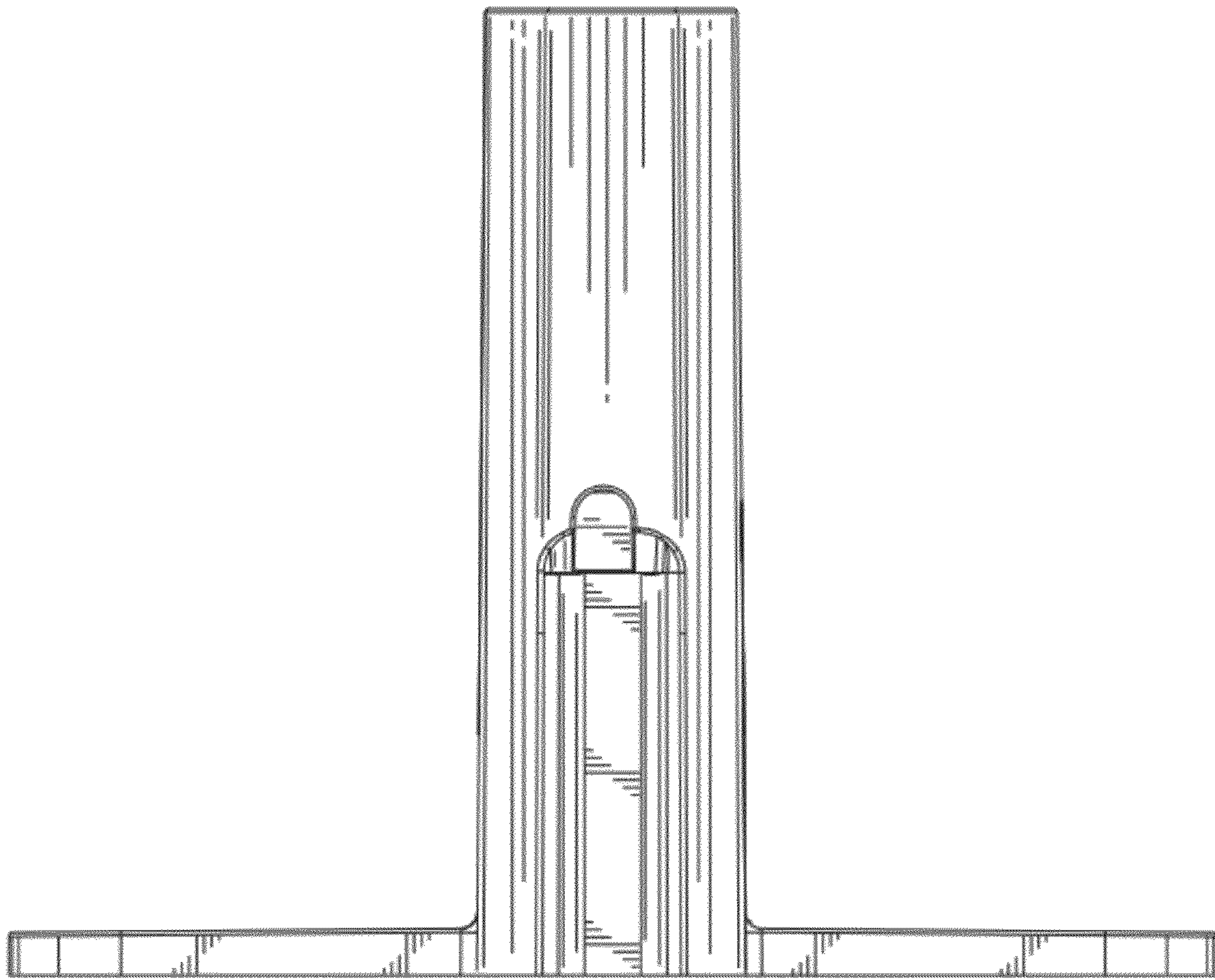


FIG. 4

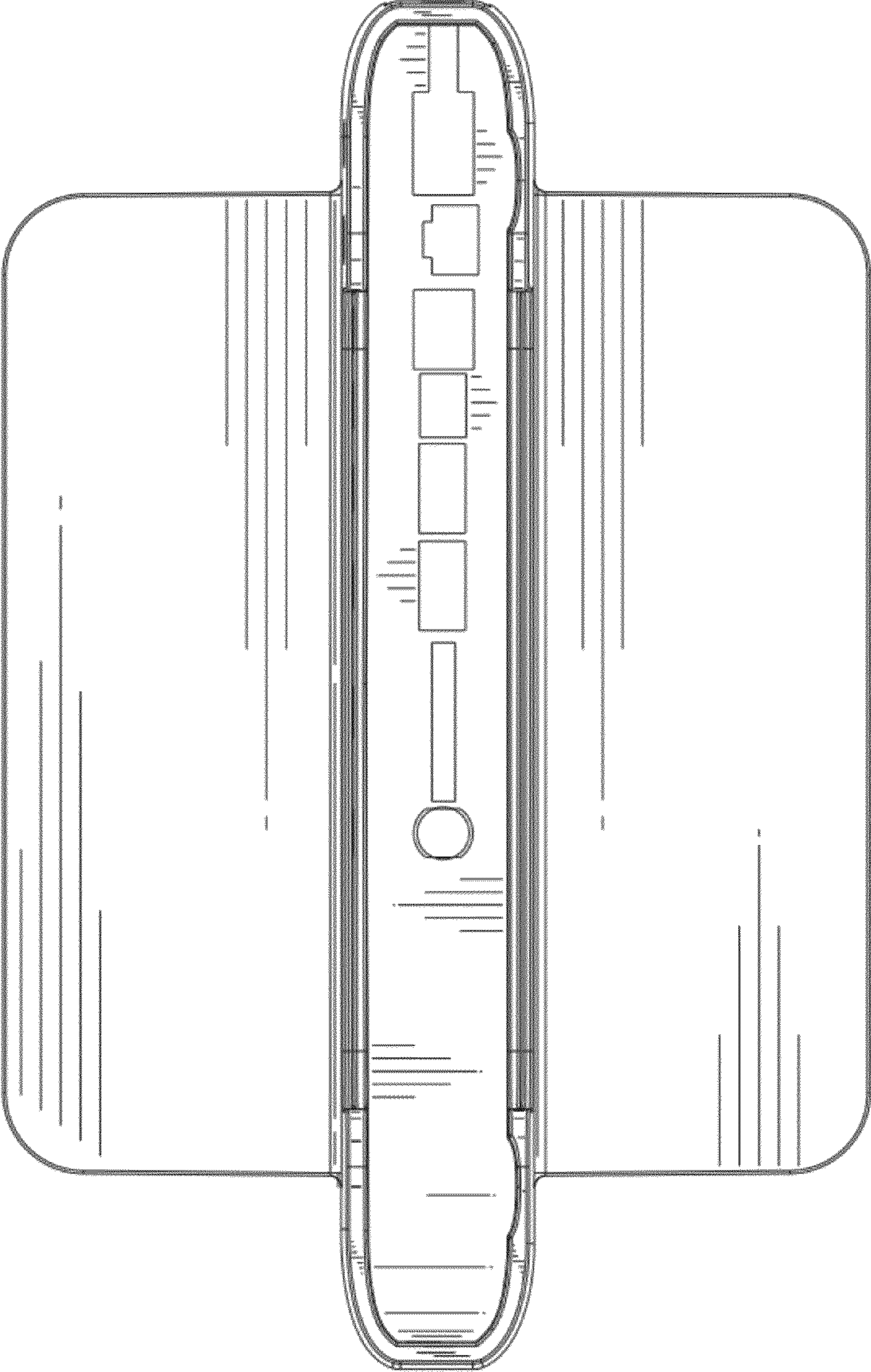


FIG. 5

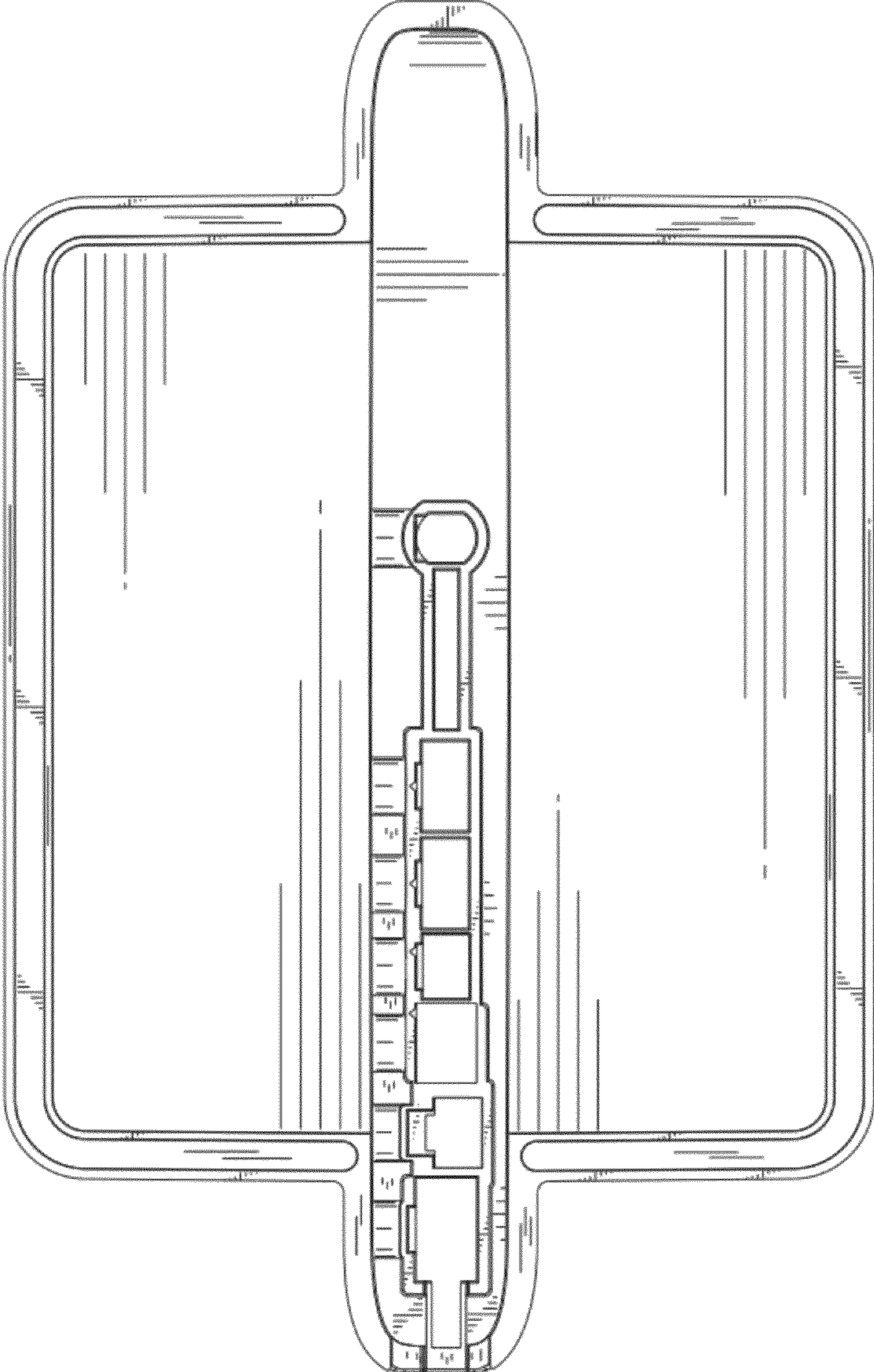


FIG. 6

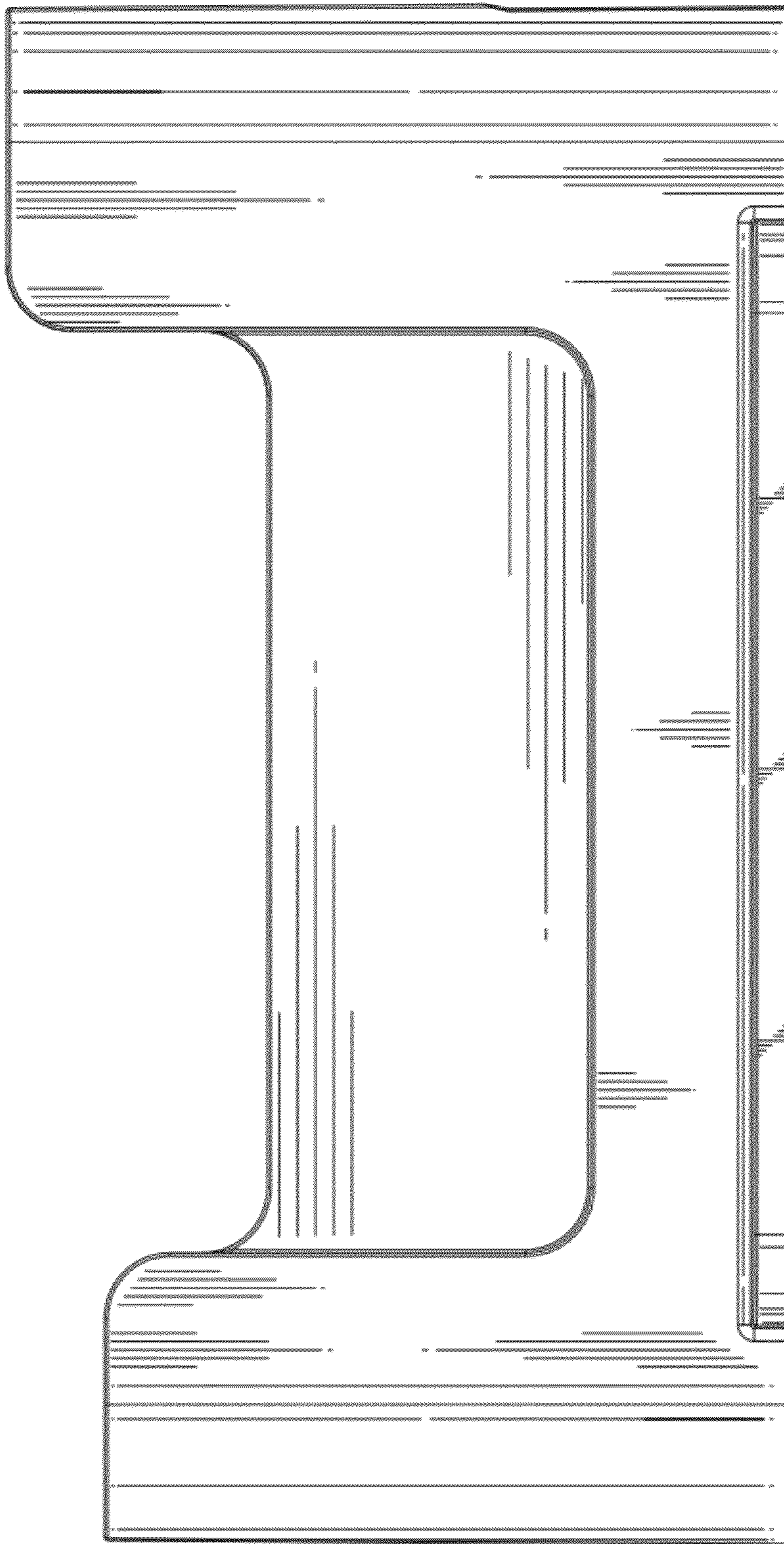


FIG. 7

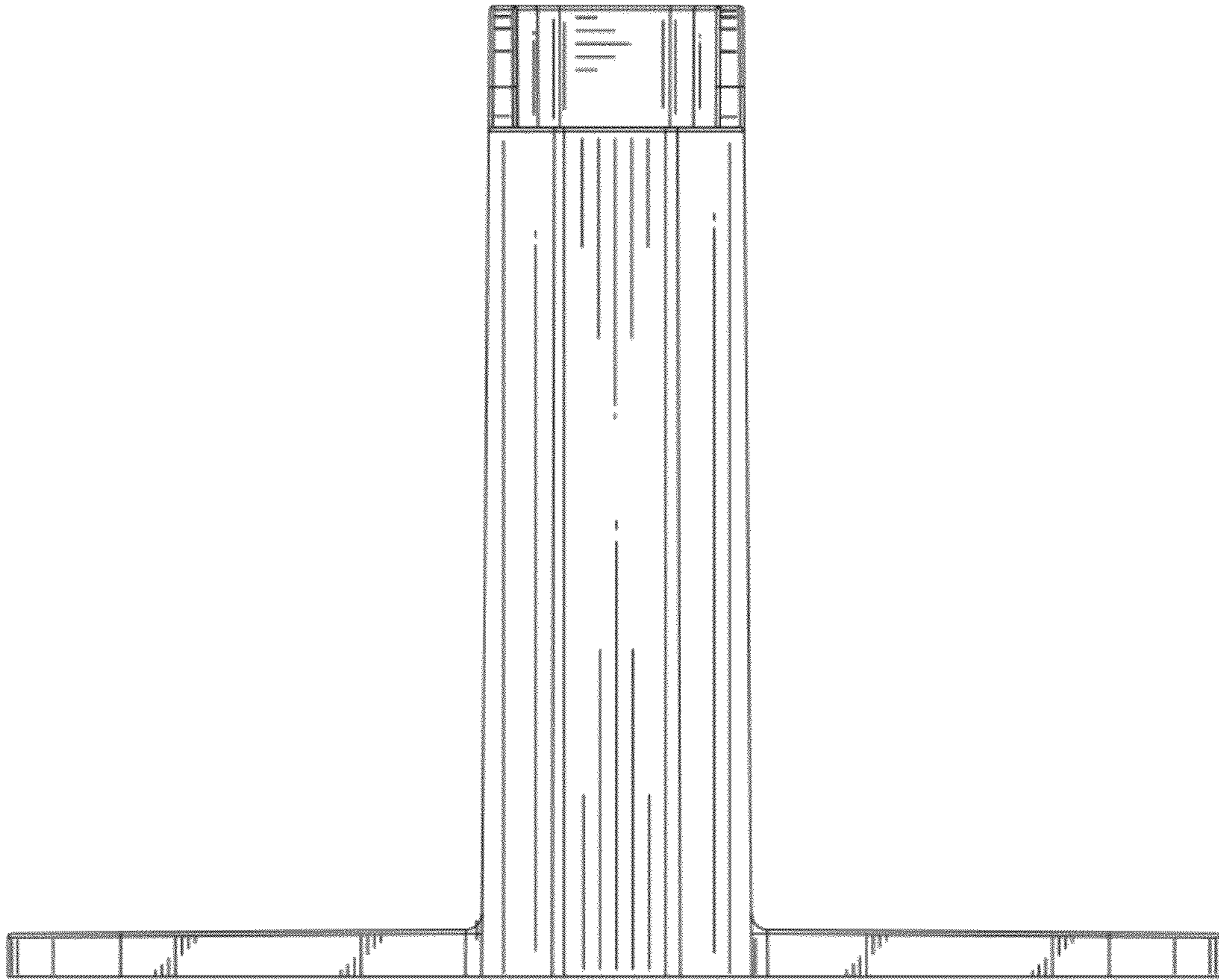


FIG. 8