

US00D660298S

(12) **United States Design Patent**  
**Vroom et al.**

(10) **Patent No.:** **US D660,298 S**

(45) **Date of Patent:** **\*\* May 22, 2012**

(54) **DOCKING STATION FOR PORTABLE ELECTRONICS WITH VOIDS FOR CONNECTOR PASS-THROUGH**

D618,689 S \* 6/2010 Shimizu ..... D14/434  
2003/0048599 A1 \* 3/2003 Martin ..... 361/683  
2008/0219488 A1 \* 9/2008 Crooijmans et al. .... 381/333

\* cited by examiner

(76) Inventors: **Matthew Leigh Vroom**, Dallas, TX (US); **Benjamin Edwards Maskell**, Arlington, VA (US)

*Primary Examiner* — Freda S Nunn

(74) *Attorney, Agent, or Firm* — Benjamin E. Maskell

(\*\*) Term: **14 Years**

(57) **CLAIM**

The ornamental design for a docking station for portable electronics with voids for connector pass-through, as shown and described.

(21) Appl. No.: **29/389,945**

(22) Filed: **Apr. 18, 2011**

**DESCRIPTION**

(51) **LOC (9) Cl.** ..... **14-02**

(52) **U.S. Cl.** ..... **D14/434**

(58) **Field of Classification Search** ..... D14/432-434, D14/314, 204, 420, 421, 447, 217, 358; D13/107, D13/108, 146; D8/373; 248/346.03, 176.1; 361/679.41, 679.31, 679.32, 679.4, 679.43, 361/679.55, 679.33; 320/109, 112-115; 710/15, 303; 455/557

See application file for complete search history.

FIG. 1 is a left side view of a docking station for portable electronics;

FIG. 2 is an isometric view of the bottom and back of a docking station for portable electronics;

FIG. 3 is an isometric view of the top, left side, and back of a docking station for portable electronics;

FIG. 4 is a back view of a docking station for portable electronics;

FIG. 5 is a top view of a docking station for portable electronics;

FIG. 6 is a bottom view of a docking station for portable electronics;

FIG. 7 is a right side view of a docking station for portable electronics; and,

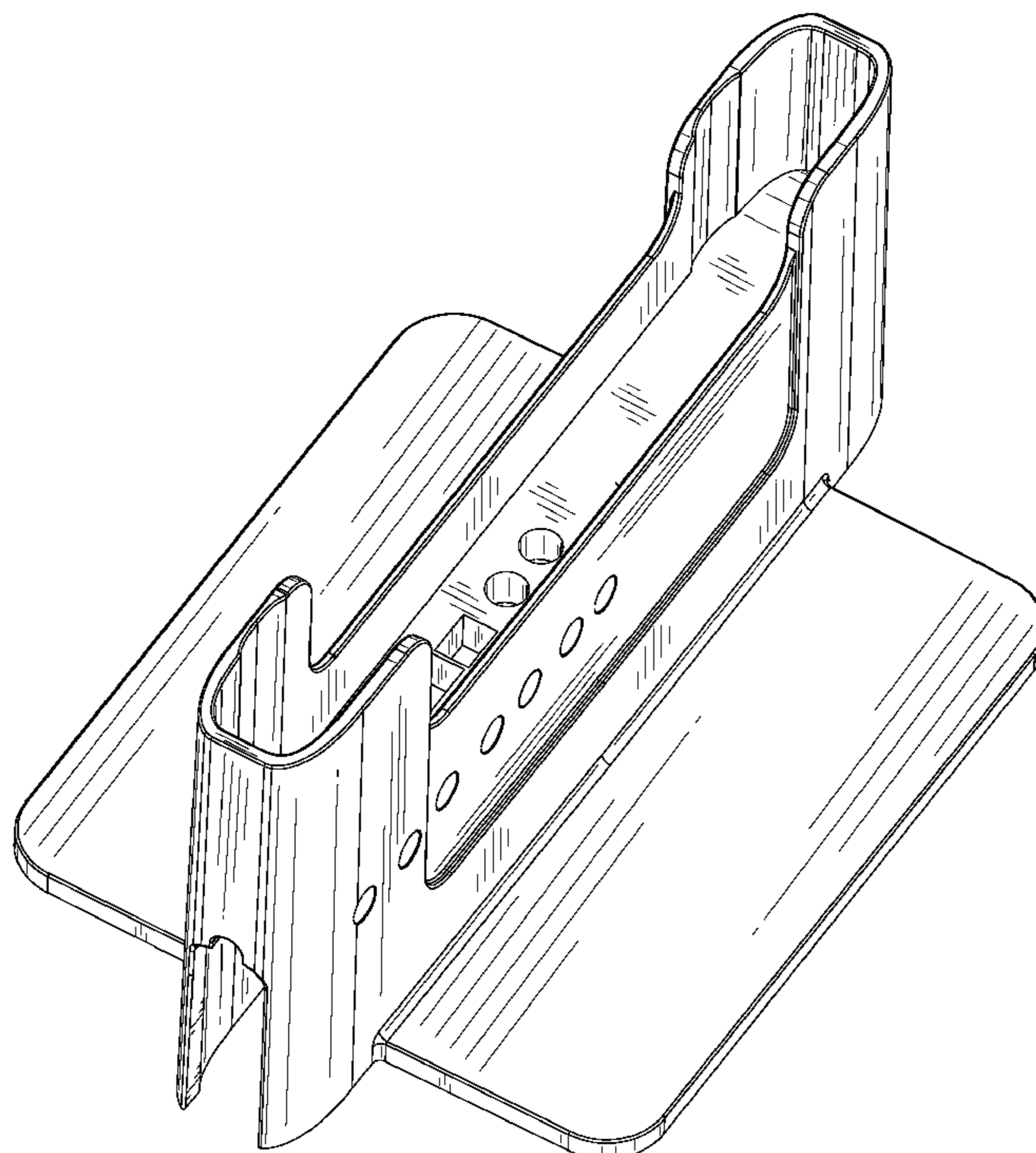
FIG. 8 is a front view of a docking station for portable electronics.

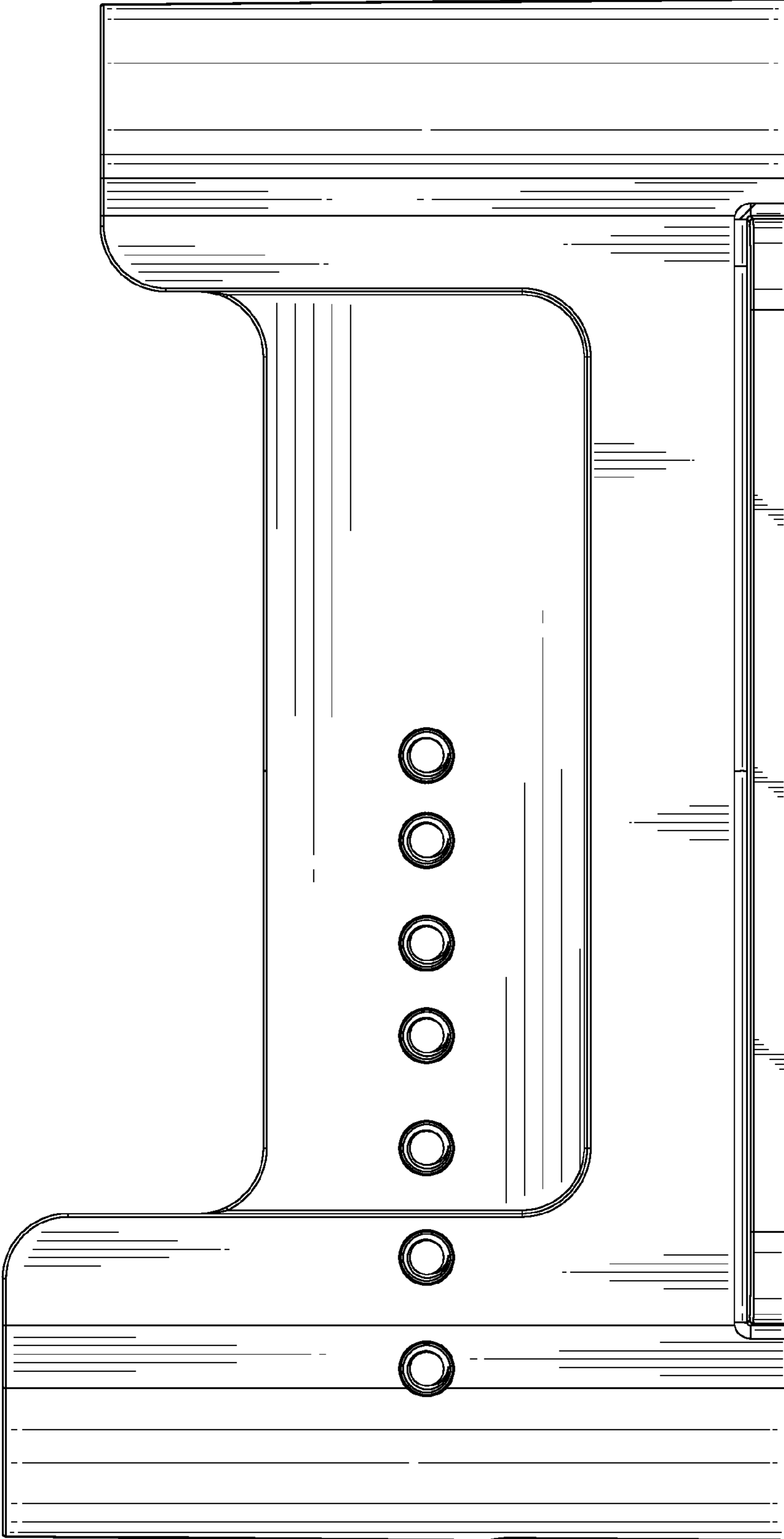
(56) **References Cited**

U.S. PATENT DOCUMENTS

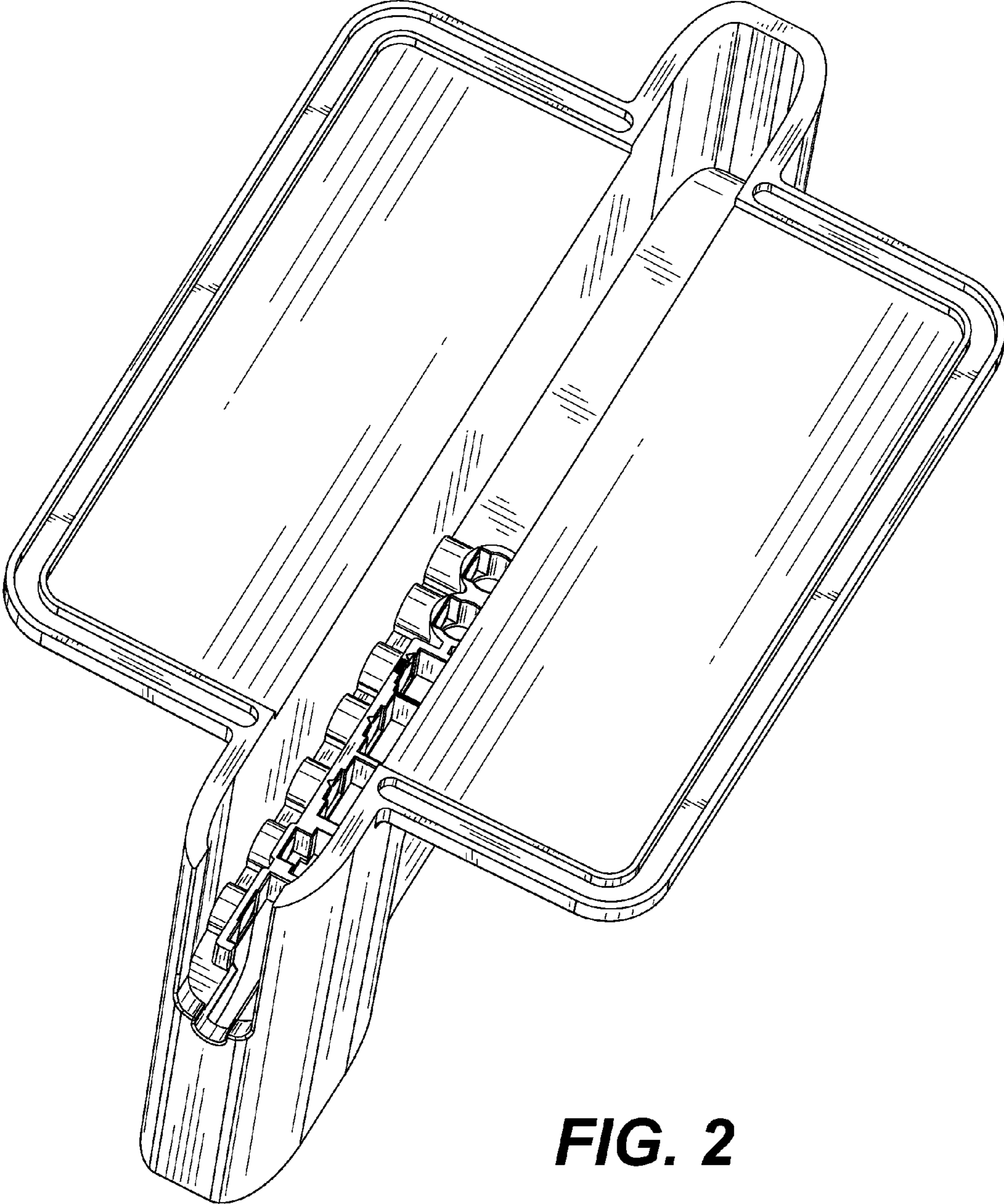
5,248,264	A	*	9/1993	Long et al.	.....	439/347
D351,133	S	*	10/1994	Jungels-Butler et al.	....	D13/108
D471,906	S	*	3/2003	Salazar et al.	.....	D14/253
D487,897	S	*	3/2004	Huang et al.	.....	D14/434
D502,913	S	*	3/2005	Fukami et al.	.....	D13/108
D523,847	S	*	6/2006	Naruki	.....	D14/224.1
D552,611	S	*	10/2007	Hagiwara et al.	.....	D14/434

**1 Claim, 8 Drawing Sheets**



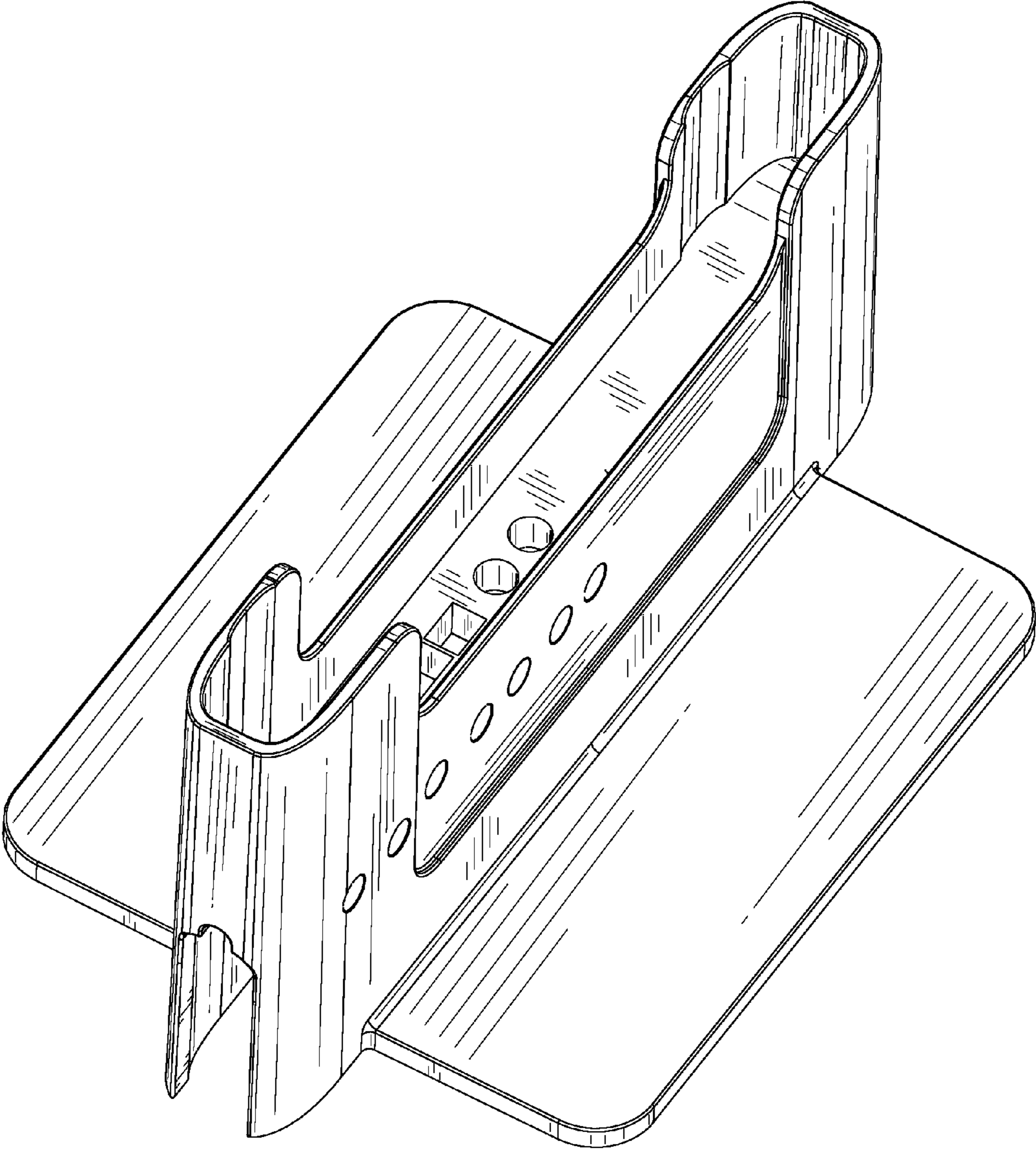


**FIG. 1**

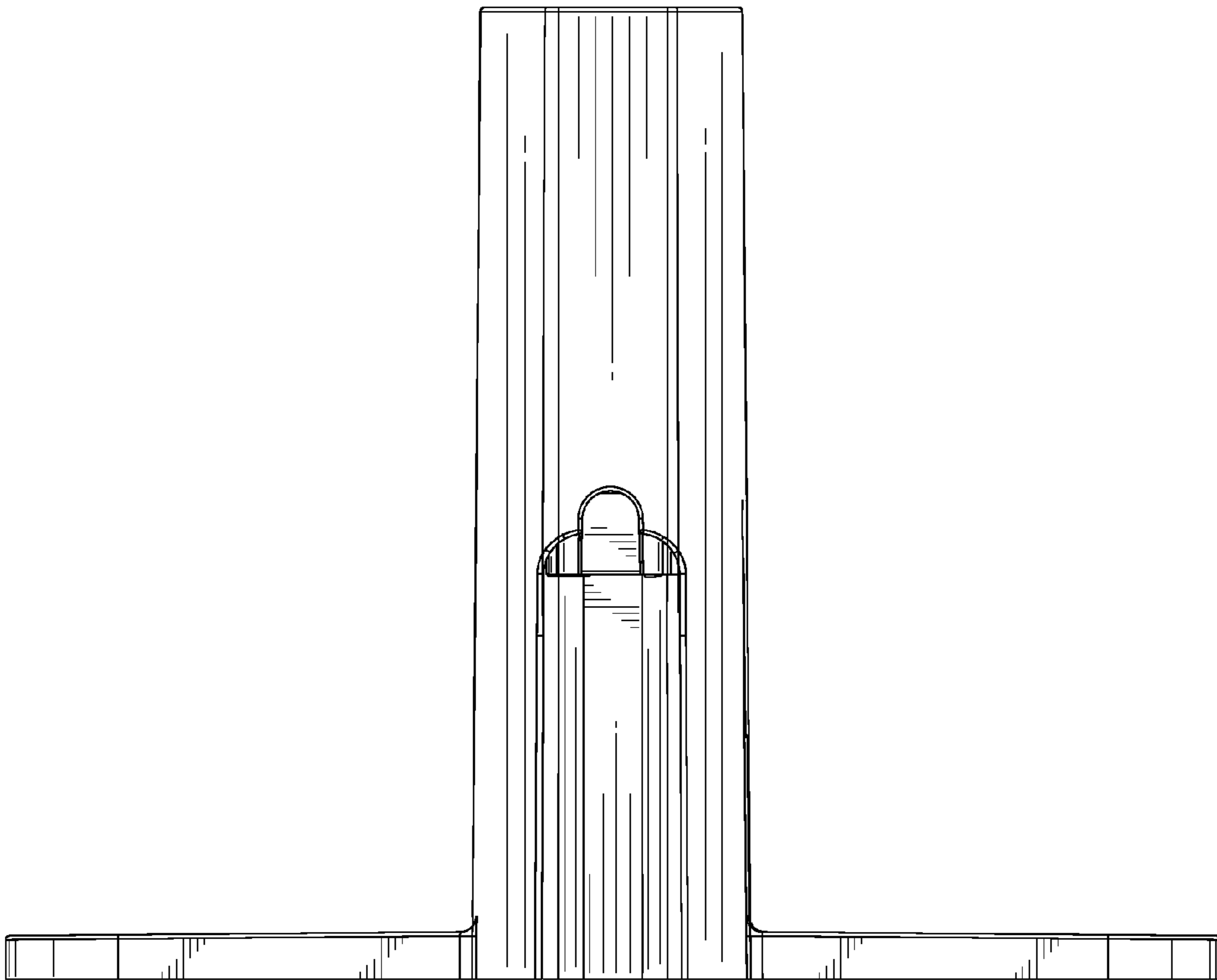


**FIG. 2**

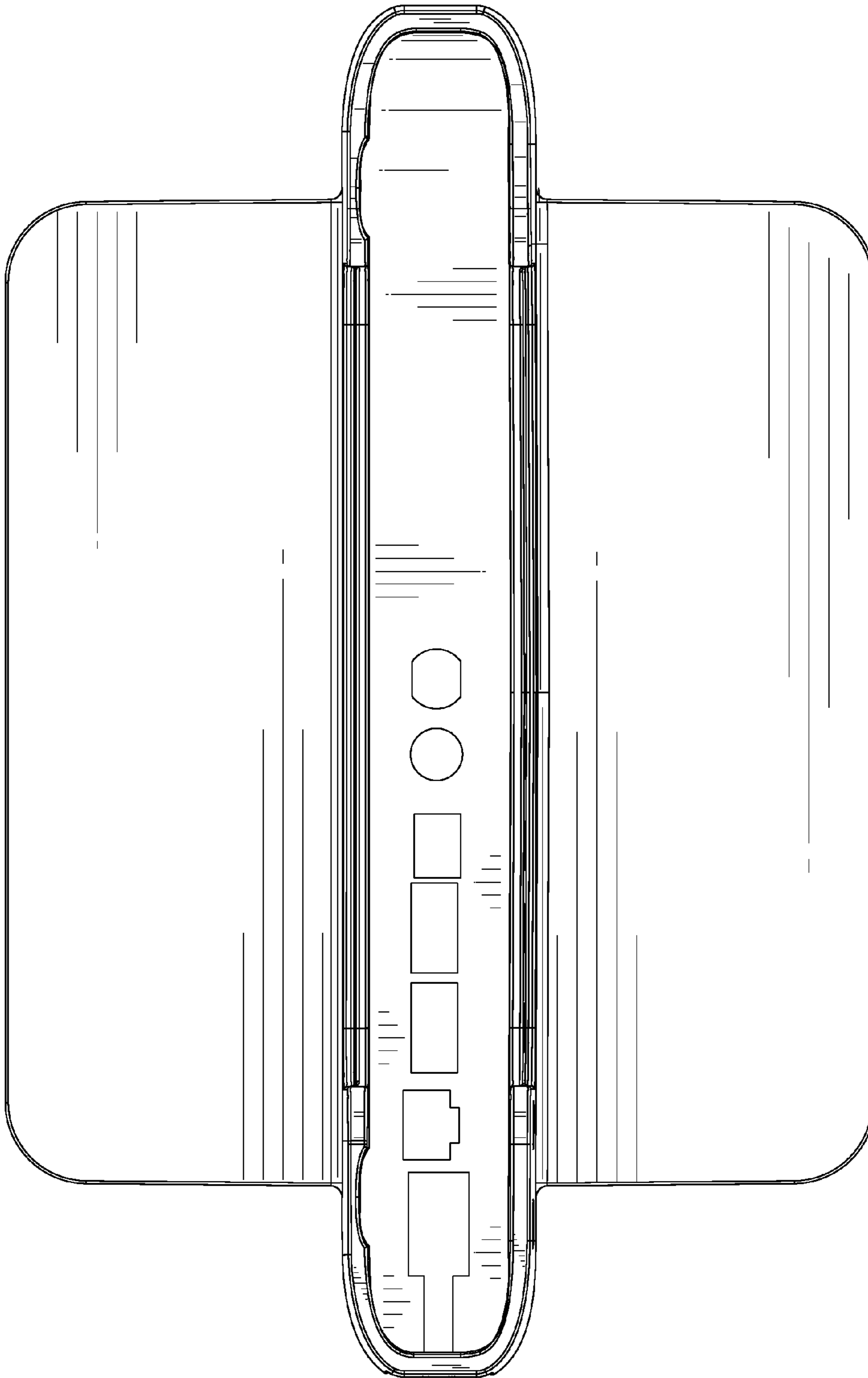




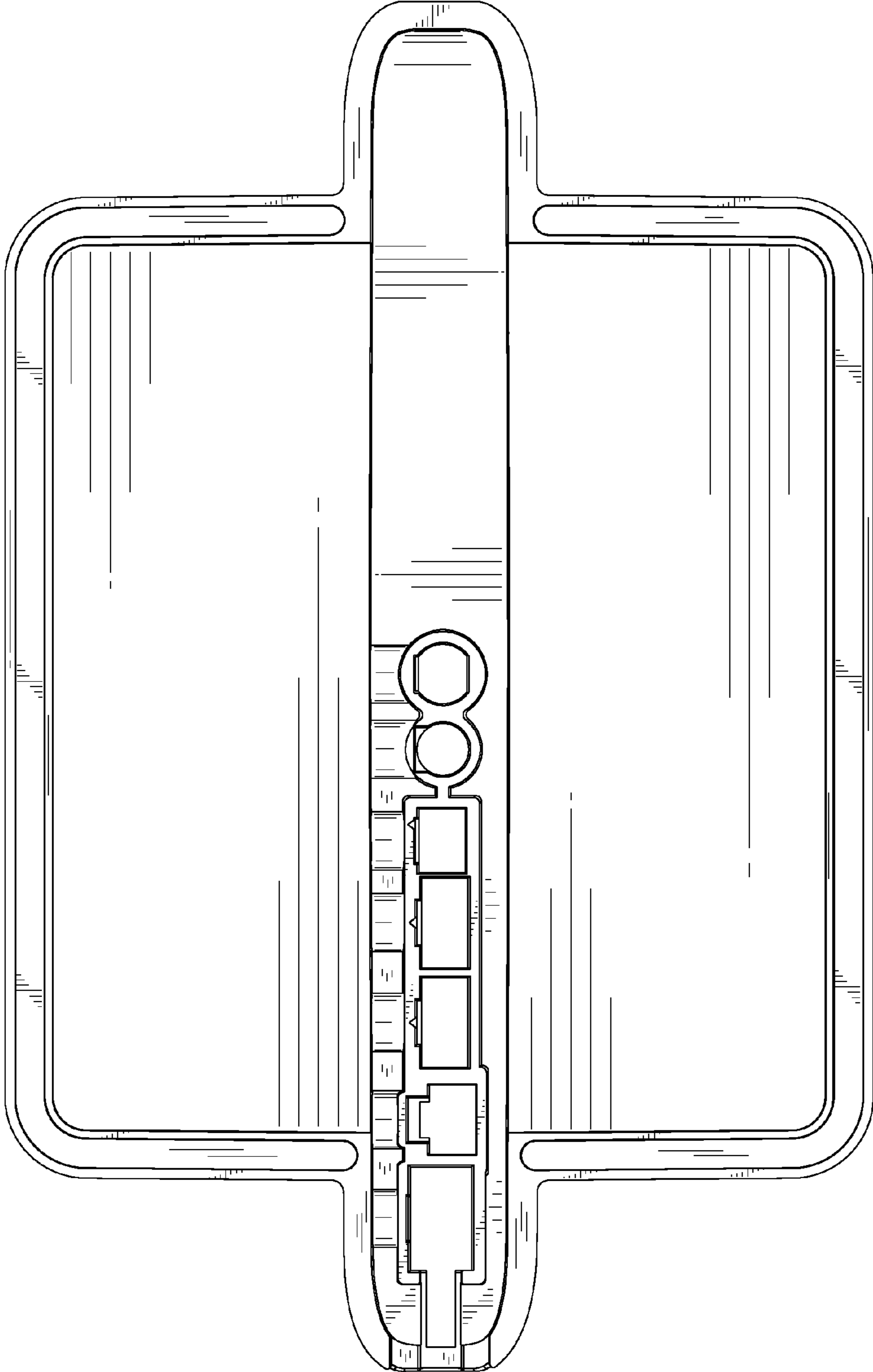
**FIG. 3**



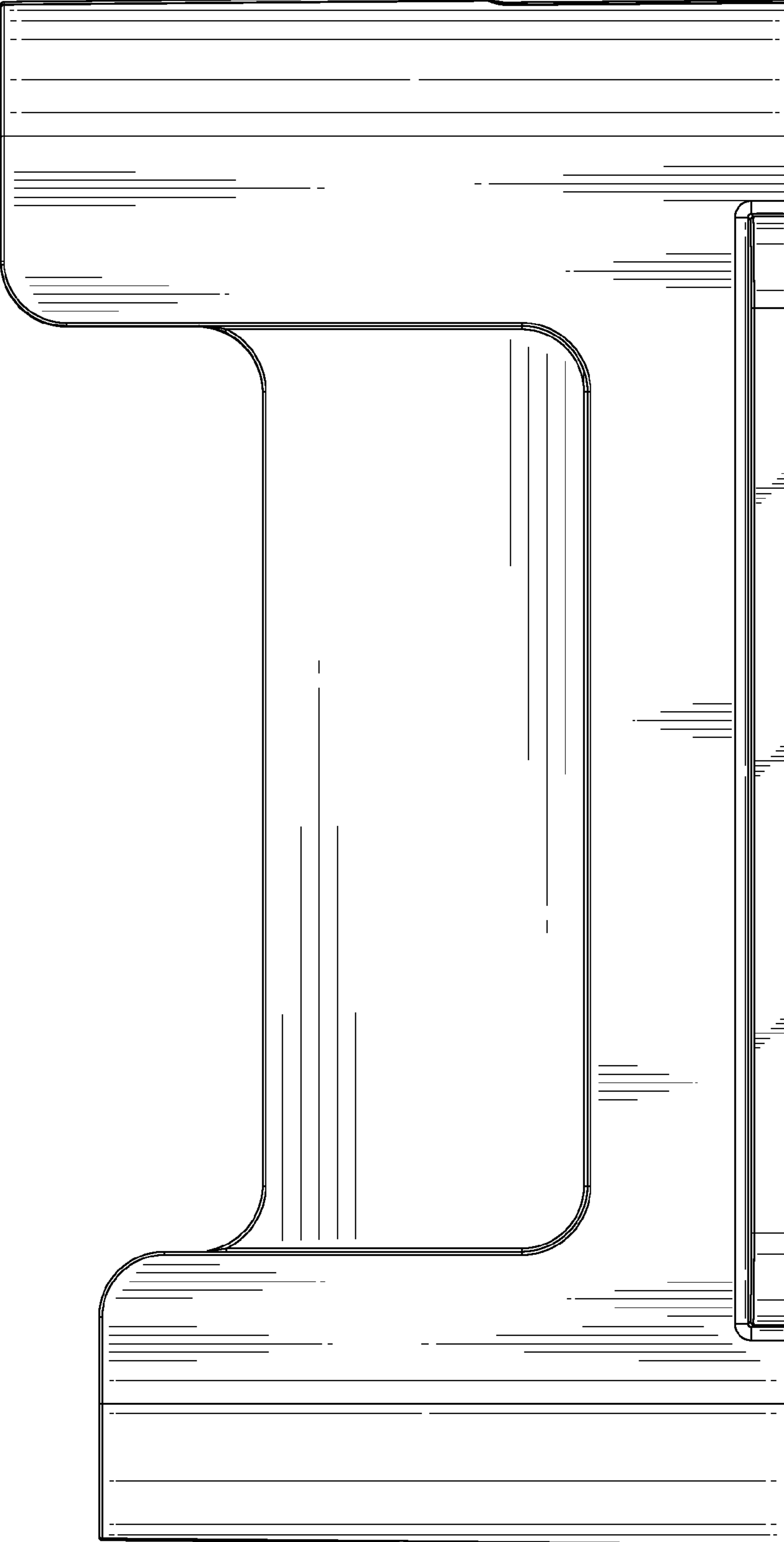
**FIG. 4**



**FIG. 5**

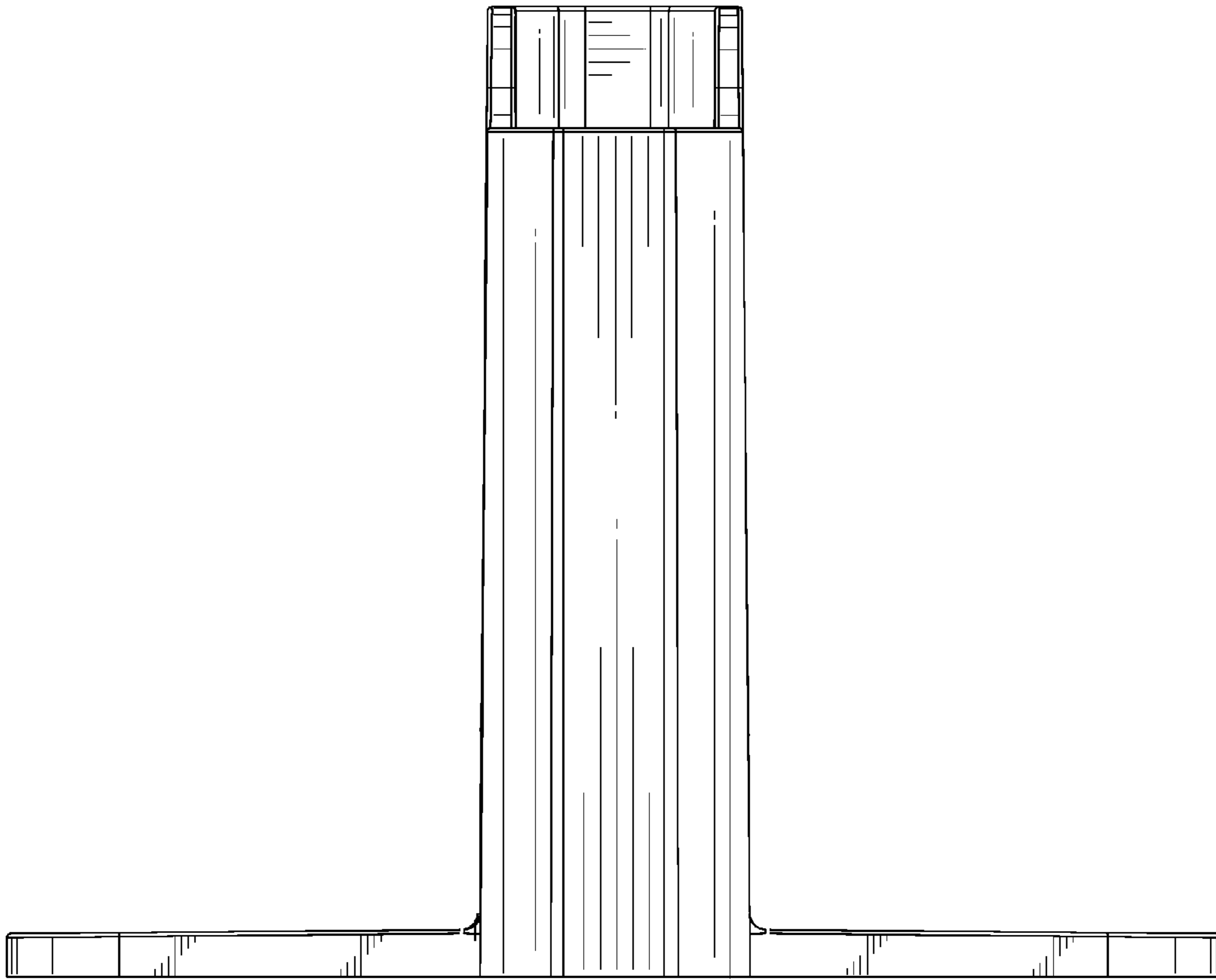


**FIG. 6**



**FIG. 7**





**FIG. 8**