



US00D660297S

(12) **United States Design Patent**
Henry et al.

(10) **Patent No.:** **US D660,297 S**
(45) **Date of Patent:** **** May 22, 2012**

(54) **COMBINED HAND-HELD DATA COLLECTOR BASE AND DETACHABLE SCANNER**

(75) Inventors: **Todd Henry**, Mississauga (CA); **David Whitehouse**, Mississauga (CA); **Sean Davoren**, Mississauga (CA); **Scott Grant**, Richmond Hill (CA); **Robert Johnston**, Richmond Hill (CA)

(73) Assignee: **WIS, International**, Mississauga, Ontario (CA)

(**) Term: **14 Years**

(21) Appl. No.: **29/382,946**

(22) Filed: **Jan. 10, 2011**

(51) **LOC (9) Cl.** **14-02**

(52) **U.S. Cl.** **D14/426; D14/429**

(58) **Field of Classification Search** D14/420, D14/426-430, 453, 346, 341, 347, 412, 138; D13/107, 184; 358/473; 235/462.43, 462.45, 235/462.47, 462.48, 462.44, 462.46, 487, 235/472.01, 472.02, 145 A, 145 R; D10/78; 324/426; D3/273; 710/73; D18/7; 361/679; 382/313, 321; 455/575.1, 561, 572; 345/156, 345/168, 169, 172, 173, 87

See application file for complete search history.

(56) **References Cited**

U.S. PATENT DOCUMENTS

D206,004	S	*	10/1966	Perkins et al.	D10/78
D224,596	S	*	8/1972	Winfrey et al.	D10/78
D226,271	S	*	2/1973	Holtzman	D10/78
D239,287	S	*	3/1976	Ault	D14/341
D240,610	S	*	7/1976	Schwartz	D10/78
D241,751	S	*	10/1976	Jensen	D14/130
4,007,443	A	*	2/1977	Bromberg et al.	708/146
D248,946	S	*	8/1978	Koenig	D14/429
D249,345	S	*	9/1978	Oliveira et al.	D14/346
D250,294	S	*	11/1978	Rose	D18/7
4,158,194	A	*	6/1979	McWaters et al.	382/313
D257,560	S	*	11/1980	Jang	D14/347

4,268,721	A	*	5/1981	Nielson et al.	379/52
D266,501	S	*	10/1982	Stefanik	D13/168
D277,462	S	*	2/1985	Jacobsen et al.	D10/70
D283,711	S	*	5/1986	Deura et al.	D14/347
4,621,189	A	*	11/1986	Kumar et al.	235/462.45

(Continued)

Primary Examiner — Susan Moon Lee

(74) *Attorney, Agent, or Firm* — Daniel A. Thomson; Emerson Thomson Bennett LLC

(57) **CLAIM**

The ornamental design for a combined hand-held data collector base and detachable scanner, as shown and described.

DESCRIPTION

This application claims priority to U.S. application Ser. No. 29/365,524, filed Jul. 9, 2010, and U.S. application Ser. No. 29/365,528, filed Jul. 9, 2010, all of which are incorporated herein by reference.

FIG. 1 is a front, top, right side perspective view of the combined hand-held data collector base and detachable scanner;

FIG. 2 is a rear, top, right side perspective view of the combined hand-held data collector base and detachable scanner;

FIG. 3 is a front view of the combined hand-held data collector base and detachable scanner;

FIG. 4 is a rear view of the combined hand-held data collector base and detachable scanner;

FIG. 5 is a right side view of the combined hand-held data collector base and detachable scanner;

FIG. 6 is a left side view of the combined hand-held data collector base and detachable scanner;

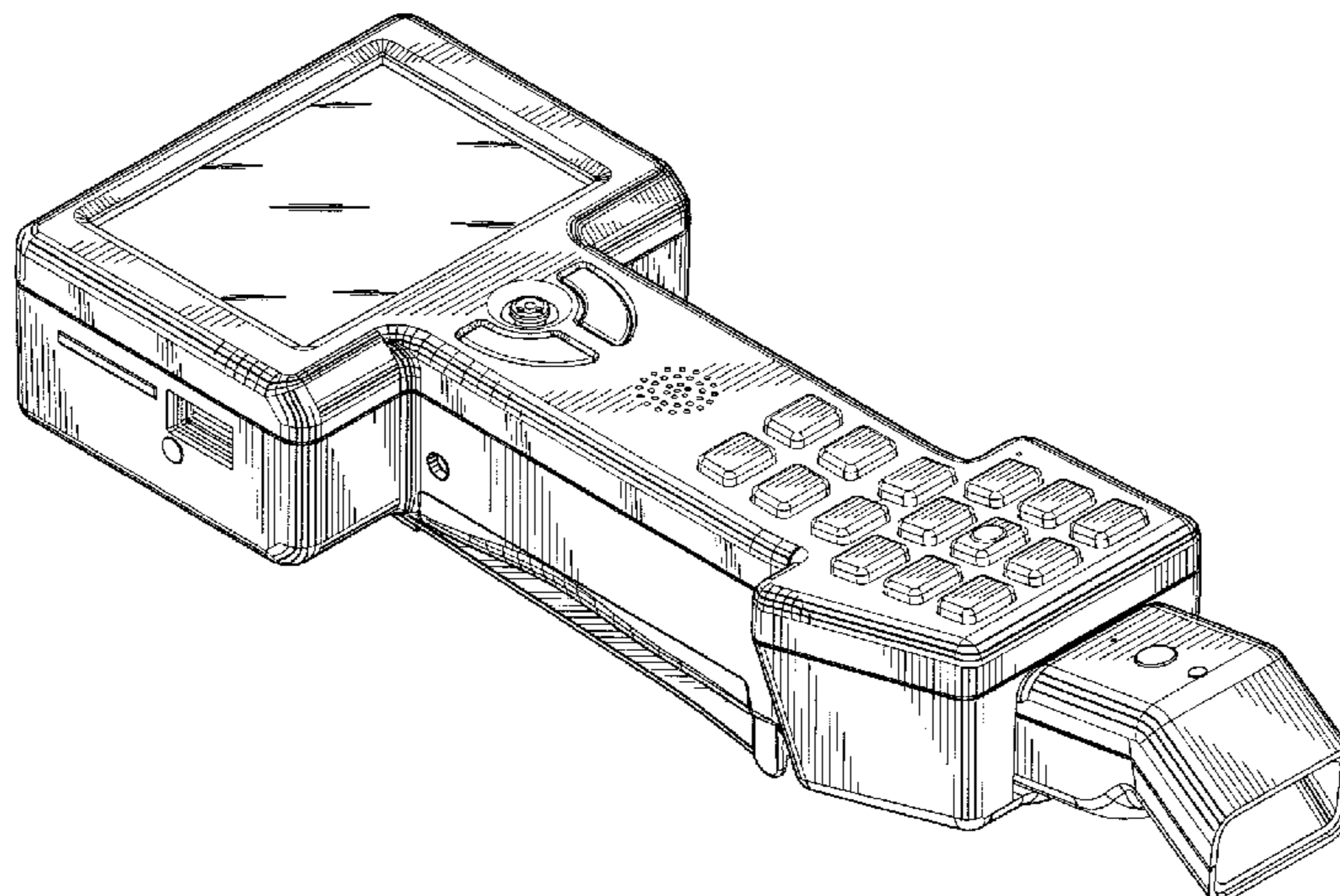
FIG. 7 is a bottom view of the combined hand-held data collector base and detachable scanner;

FIG. 8 is a top view of the combined hand-held data collector base and detachable scanner;

FIG. 9 is an exploded front view of the combined hand-held data collector base and detachable scanner; and,

FIG. 10 is an exploded right side view of the combined hand-held data collector base and detachable scanner.

1 Claim, 8 Drawing Sheets



US D660,297 S

Page 2

U.S. PATENT DOCUMENTS

4,696,189	A *	9/1987	Hochreuther	73/431	D383,124	S *	9/1997	Lanzaro et al.	D14/429
D292,401	S *	10/1987	Lee et al.	D14/188	5,679,943	A *	10/1997	Schultz et al.	235/472.02
D295,411	S *	4/1988	Cho et al.	D14/347	D386,152	S *	11/1997	Warneke	D14/347
D297,429	S *	8/1988	Pedinielli et al.	D14/347	D391,234	S *	2/1998	Chacon et al.	D14/341
D298,922	S *	12/1988	Hinkle	D10/46.1	D392,636	S *	3/1998	Faulknor et al.	D14/144
D299,235	S *	1/1989	Feger et al.	D14/347	D393,601	S *	4/1998	Skiffington	D10/78
D302,265	S *	7/1989	Siegner et al.	D14/347	D393,628	S *	4/1998	Ledbetter et al.	D13/168
D302,269	S *	7/1989	Kelly	D14/374	D393,631	S *	4/1998	Yotukura	D14/339
4,845,650	A *	7/1989	Meade et al.	101/66	5,796,088	A *	8/1998	Wall	235/472.01
D305,884	S *	2/1990	Krichever et al.	D14/429	D398,903	S *	9/1998	Chacon et al.	D14/343
D308,359	S *	6/1990	Lauchnor et al.	D13/168	5,831,819	A *	11/1998	Chacon et al.	361/679.56
D311,699	S *	10/1990	Mo	D10/78	D403,259	S *	12/1998	Tsubota et al.	D10/81
D312,622	S *	12/1990	Alden et al.	D14/347	D403,604	S *	1/1999	Tsubota et al.	D10/81
D313,563	S *	1/1991	Mieczkowski et al.	D10/78	D404,433	S *	1/1999	Au Yeung	D21/329
4,983,818	A *	1/1991	Knowles	235/462.47	D413,537	S *	9/1999	Grossman et al.	D10/78
D319,059	S *	8/1991	Divine	D14/168	D414,470	S *	9/1999	Chacon et al.	D14/341
D322,610	S *	12/1991	Auerbach et al.	D14/218	D417,445	S *	12/1999	Chacon et al.	D14/399
D324,060	S *	2/1992	Huang	D16/135	D418,132	S *	12/1999	Zoiss et al.	D14/147
5,202,817	A *	4/1993	Koenck et al.	361/679.09	6,039,256	A *	3/2000	Konosu et al.	235/462.43
D336,619	S *	6/1993	Dushane et al.	D10/78	D429,226	S *	8/2000	Siddoway et al.	D14/347
D338,002	S *	8/1993	Kapac et al.	D14/429	6,097,606	A *	8/2000	Groves et al.	361/747
D339,994	S *	10/1993	Rohmann	D10/78	D431,236	S *	9/2000	Read et al.	D14/149
D340,034	S *	10/1993	Hofstetter et al.	D14/426	D434,762	S *	12/2000	Ikenaga	D14/371
D340,236	S *	10/1993	Sandor	D14/429	6,181,992	B1 *	1/2001	Gurne et al.	701/29
D340,237	S *	10/1993	Swartz	D14/429	6,244,512	B1 *	6/2001	Koenck et al.	235/472.01
D342,723	S *	12/1993	Fenkart	D14/347	D447,141	S *	8/2001	Itoh et al.	D14/385
D347,590	S *	6/1994	Schwan	D10/78	D477,598	S *	7/2003	Mathiowetz et al.	D14/347
D349,604	S *	8/1994	Kumar et al.	D14/347	6,658,915	B2 *	12/2003	Sunshine et al.	73/23.2
D350,118	S *	8/1994	Kumar et al.	D14/347	D490,731	S *	6/2004	Bradford	D10/78
D350,119	S *	8/1994	Kumar et al.	D14/343	D491,590	S *	6/2004	Singer et al.	D16/135
D350,334	S *	9/1994	Kumar et al.	D14/429	D512,698	S *	12/2005	Augenbraun et al.	D14/130
D350,335	S *	9/1994	Kumar et al.	D14/347	D522,504	S *	6/2006	Steiger et al.	D14/347
D350,336	S *	9/1994	Kumar et al.	D14/429	7,077,328	B2 *	7/2006	Krishnaswamy	et al. 235/472.01
D350,962	S *	9/1994	Reardon et al.	D14/218	D532,381	S *	11/2006	Velazquez	D13/168
D352,716	S *	11/1994	Shindo	D14/217	D535,296	S *	1/2007	Boulware	D14/385
D357,240	S *	4/1995	Kitazumi et al.	D14/429	D548,119	S *	8/2007	Hernandez, Jr.	D10/78
D357,876	S *	5/1995	McConnell	D10/78	D560,527	S *	1/2008	Rich et al.	D10/78
D357,917	S *	5/1995	Ito et al.	D14/218	D574,380	S *	8/2008	Freed et al.	D14/426
5,418,684	A *	5/1995	Koenck et al.	235/472.02	D574,831	S *	8/2008	Kennedy et al.	D14/426
D361,288	S *	8/1995	Chandwick et al.	D10/78	D589,905	S *	4/2009	Lin et al.	D13/168
D363,470	S *	10/1995	Yamamoto	D14/347	D589,928	S *	4/2009	Haspil et al.	D14/147
5,471,042	A *	11/1995	Kirkeby et al.	235/472.02	D594,361	S *	6/2009	Miller et al.	D10/78
5,485,504	A *	1/1996	Ohnsorge	455/566	D594,362	S *	6/2009	Miller	D10/78
D369,786	S *	5/1996	Hagerty	D14/429	D611,943	S *	3/2010	Boyd	D14/346
5,541,840	A *	7/1996	Gurne et al.	701/33	7,712,669	B2 *	5/2010	Mahany et al.	235/472.02
D374,183	S *	10/1996	Skinner et al.	D10/78	2006/0085293	A1 *	4/2006	Melucci	705/28
D374,221	S *	10/1996	Ruiz	D14/426	2007/0262142	A1 *	11/2007	Whitehouse et al.	235/385
D381,975	S *	8/1997	Trausch et al.	D14/426					
D382,269	S *	8/1997	Terk et al.	D14/204					

* cited by examiner

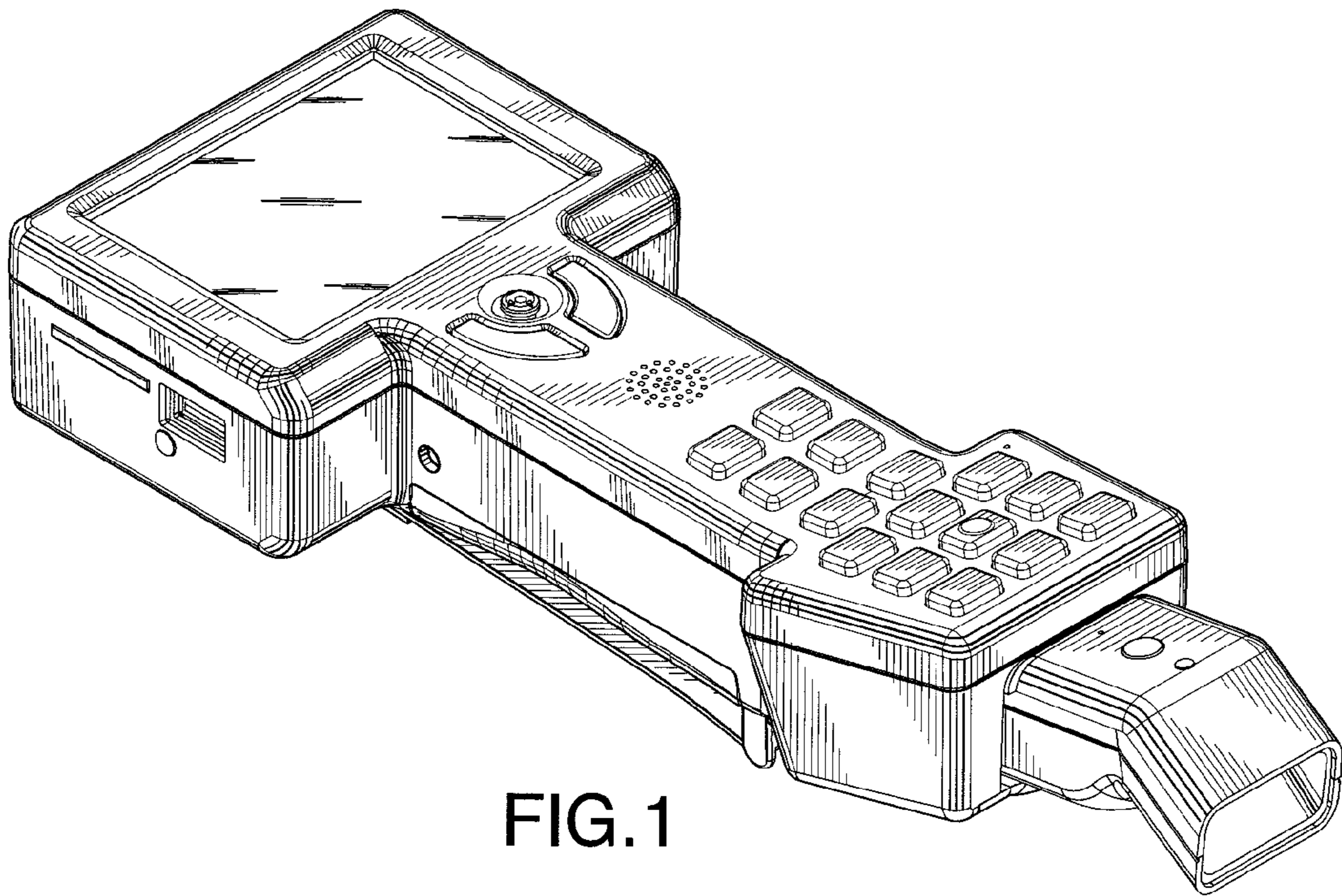


FIG. 1

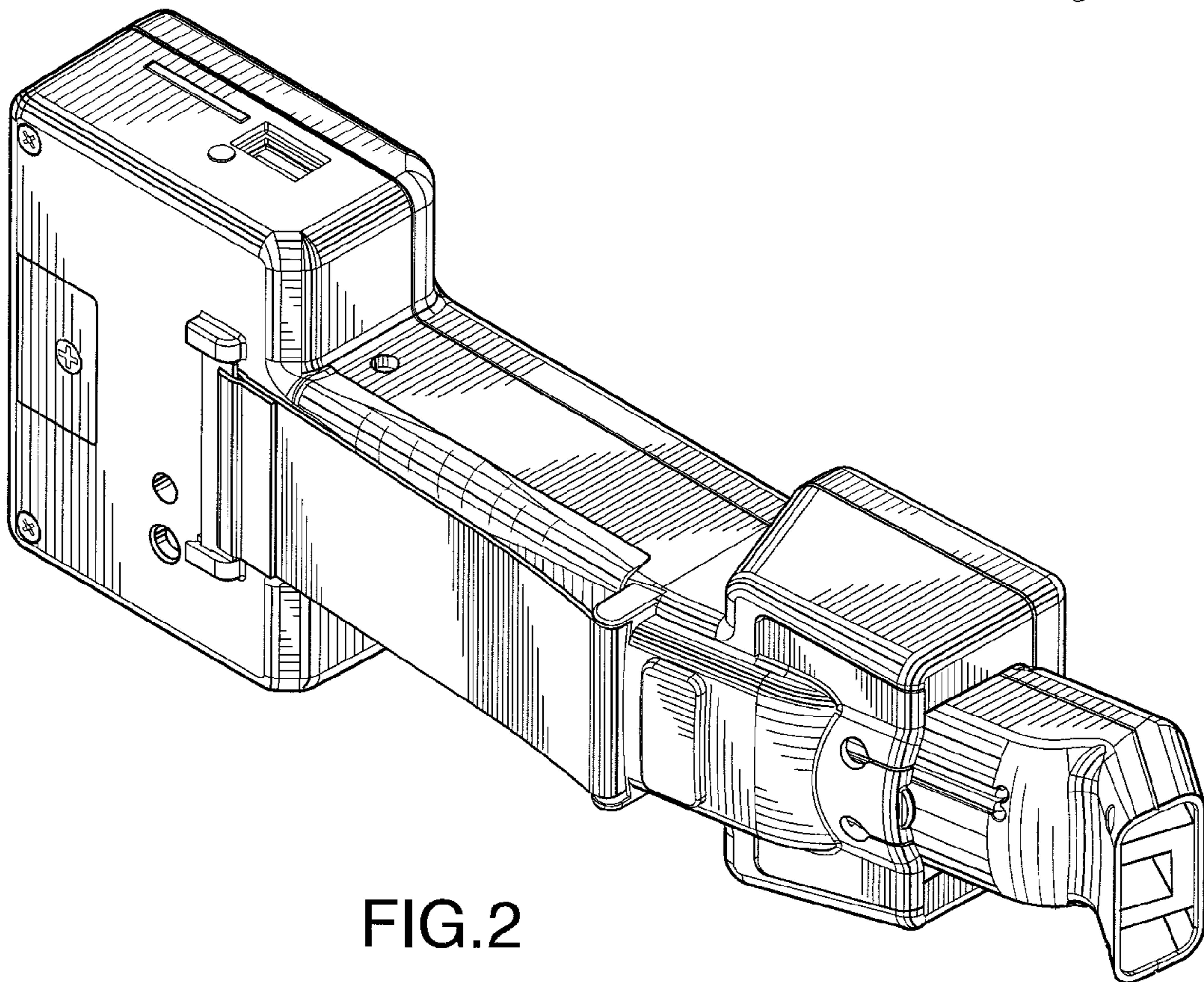


FIG. 2

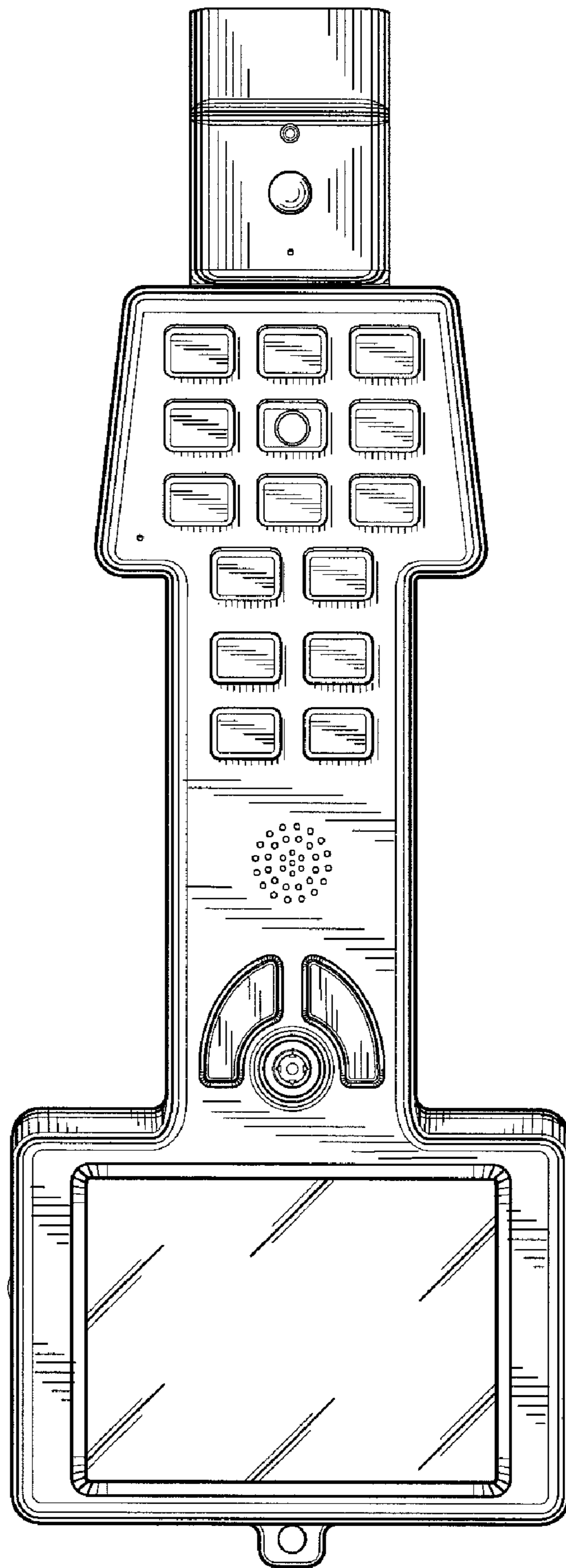


FIG.3

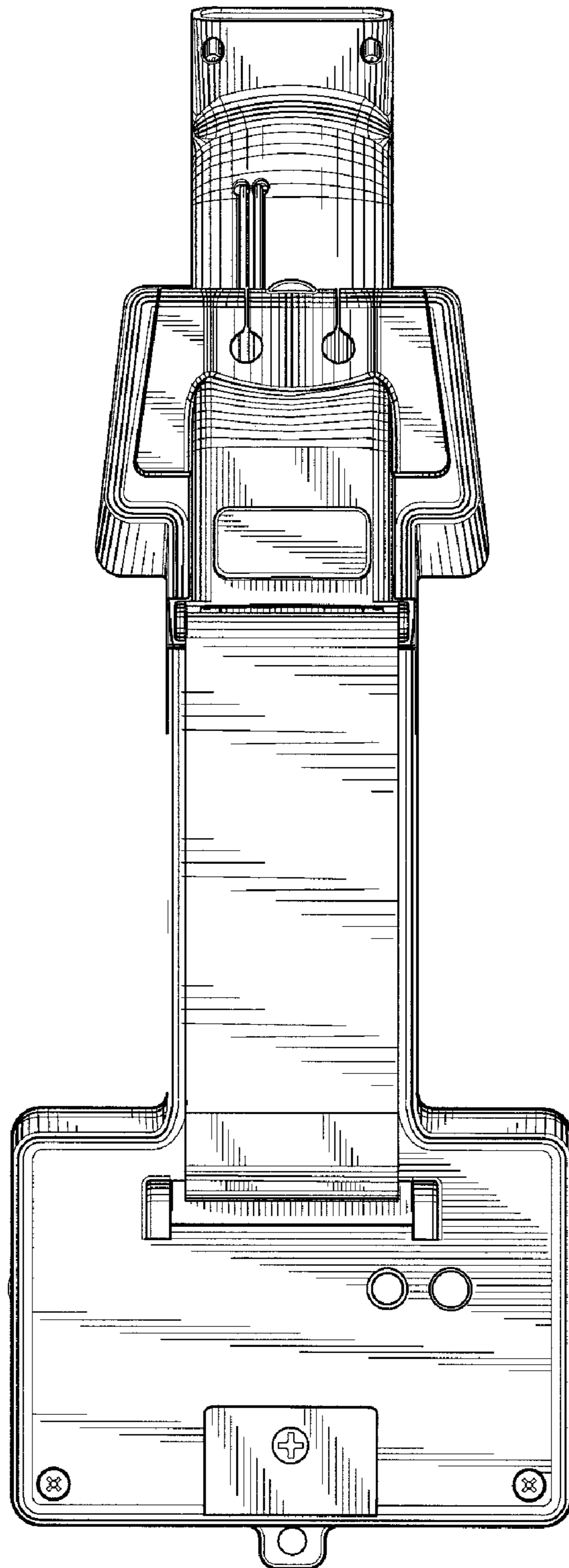


FIG.4

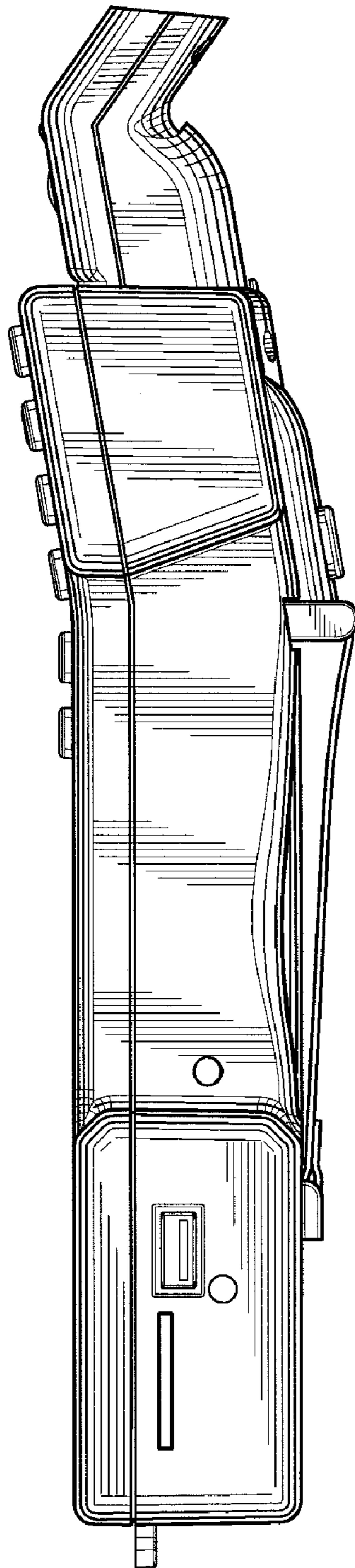


FIG.5

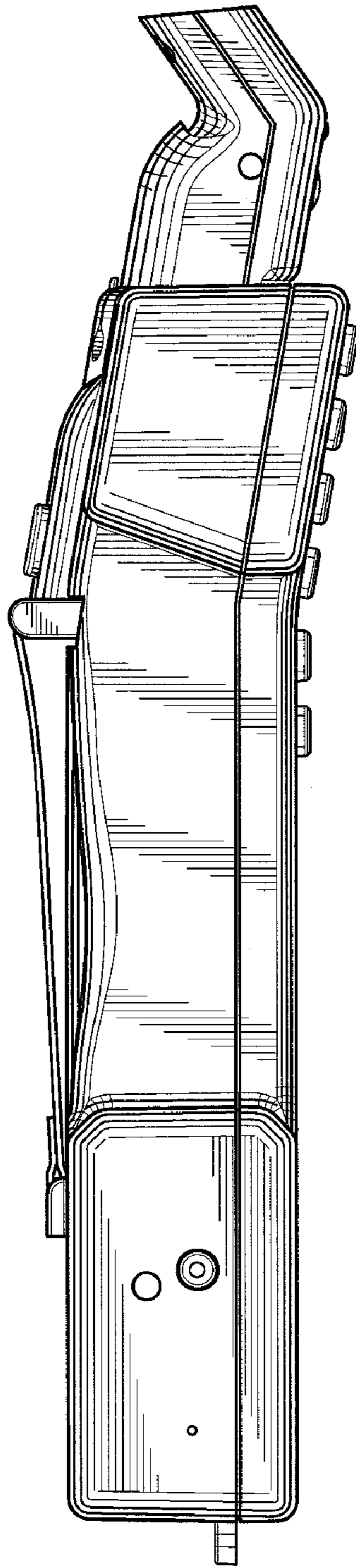


FIG.6

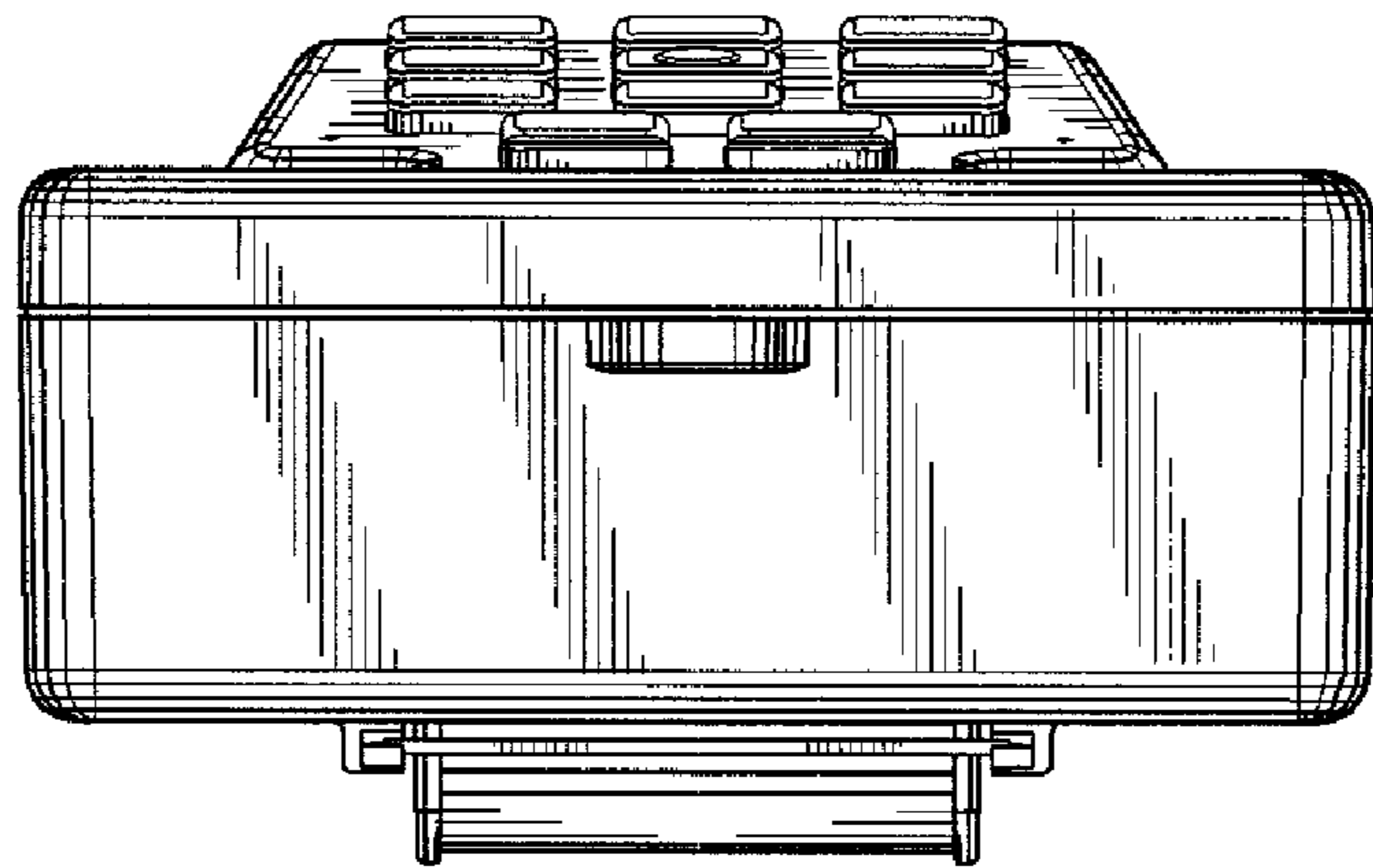


FIG. 7

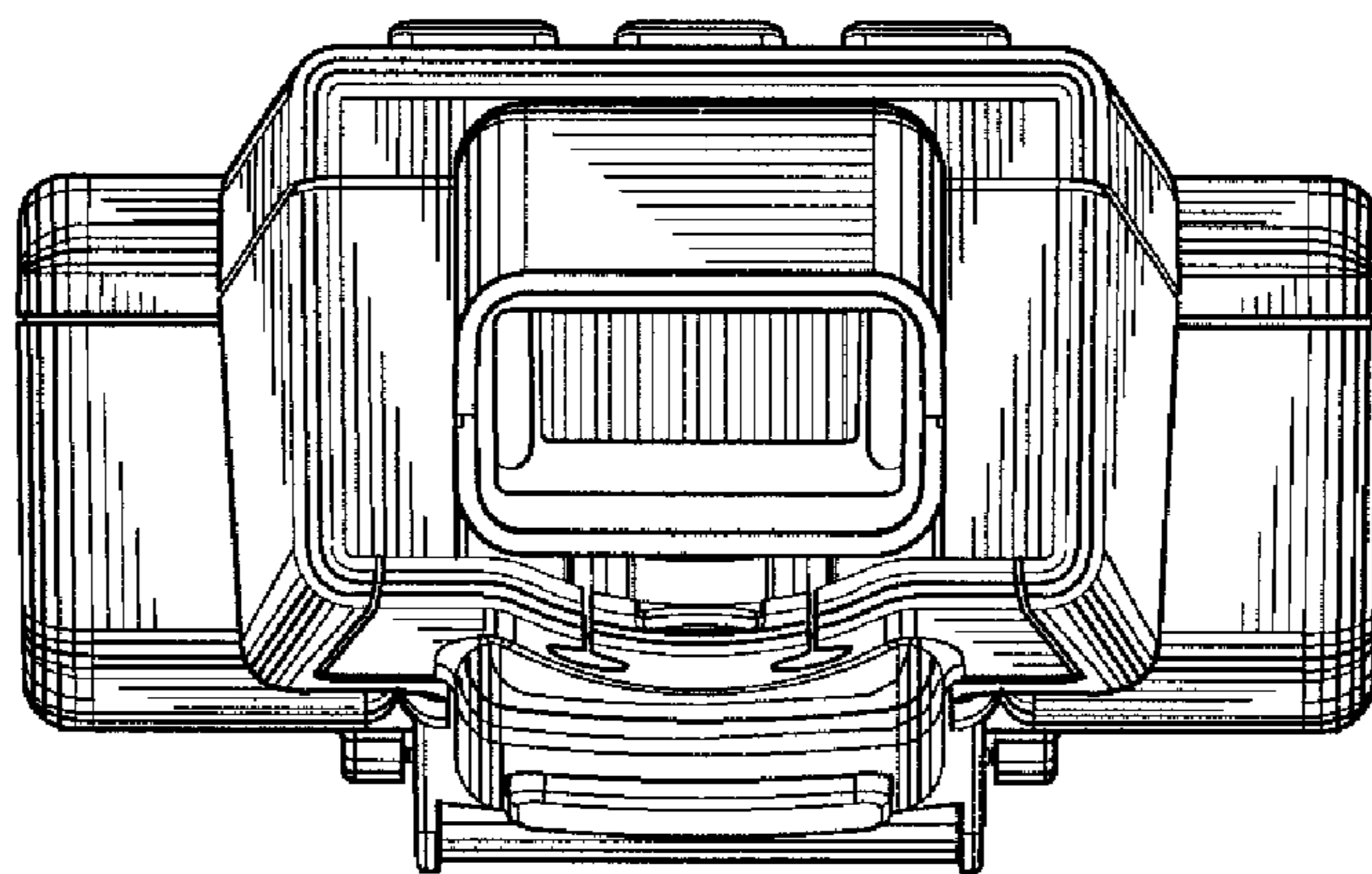


FIG. 8

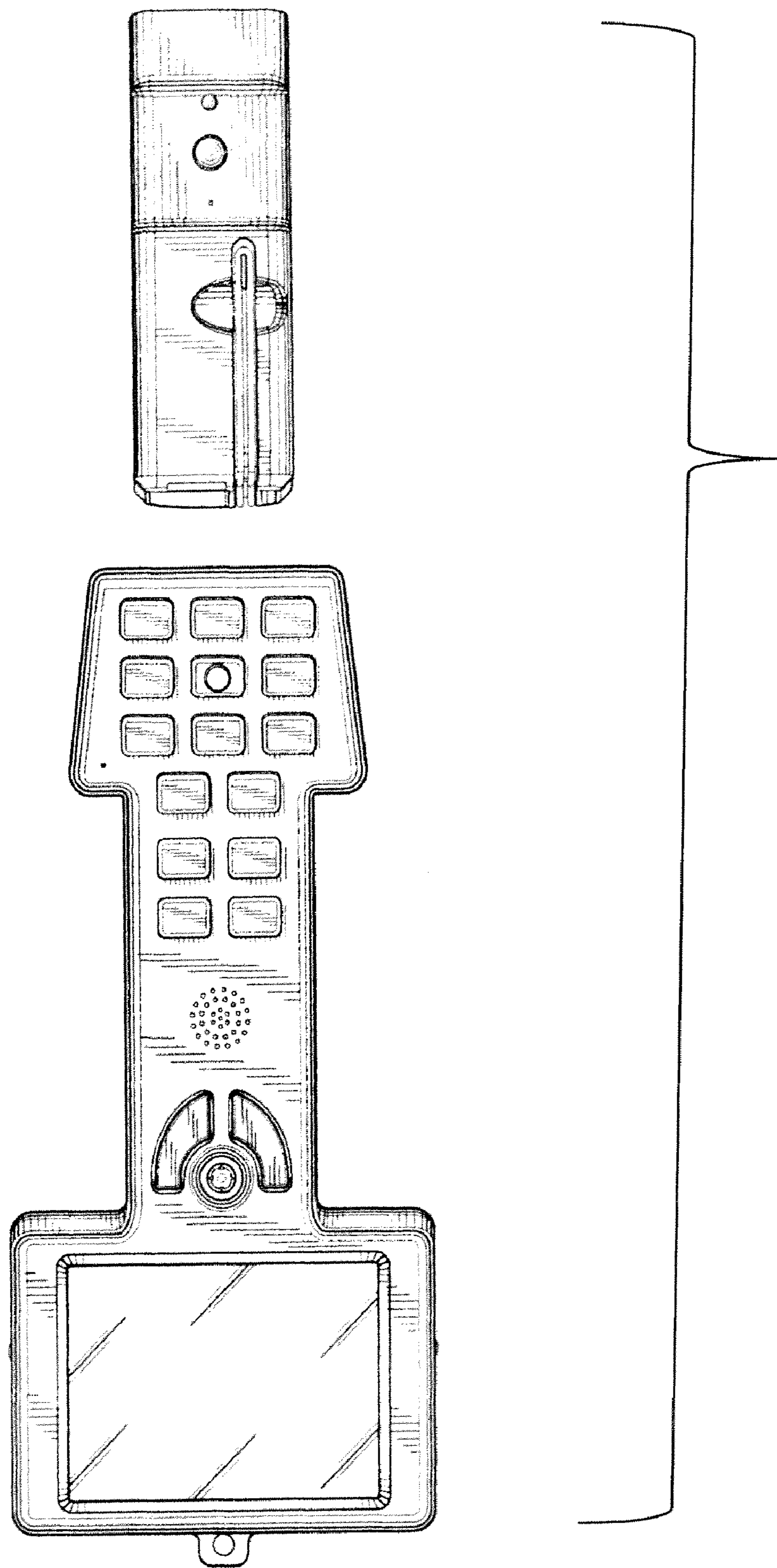


FIG.9

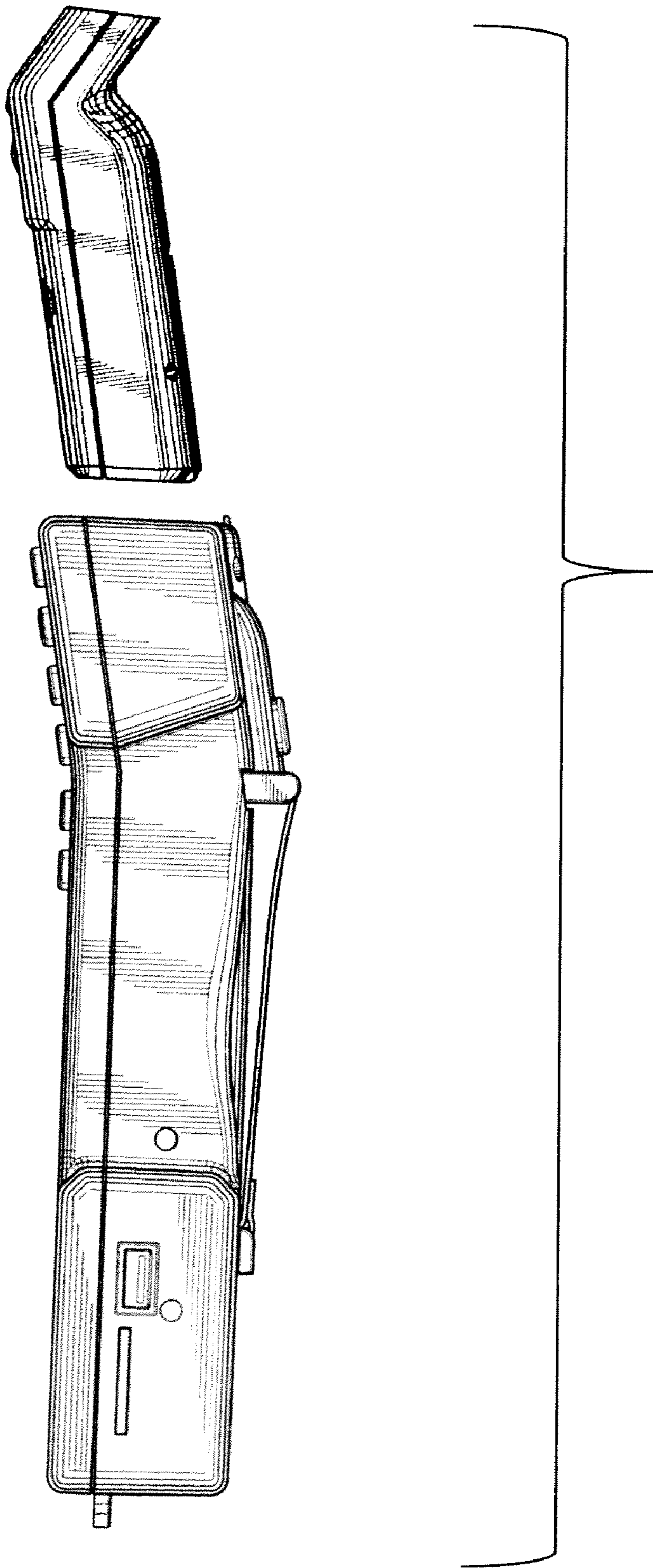


FIG.10