

US00D660296S

(12) **United States Design Patent**
Iwamura

(10) **Patent No.:** **US D660,296 S**

(45) **Date of Patent:** **** May 22, 2012**

(54) **STYLUS**

(75) **Inventor:** **Nobuhiro Iwamura, Osaka (JP)**

(73) **Assignee:** **Performance Designed Products, LLC,**
Sherman Oaks, CA (US)

(**) **Term:** **14 Years**

(21) **Appl. No.:** **29/398,301**

(22) **Filed:** **Jul. 28, 2011**

(51) **LOC (9) Cl.** **14-02**

(52) **U.S. Cl.** **D14/411**

(58) **Field of Classification Search** D8/61;
D14/411; D19/35, 36, 41-51, 54-58; 401/55,
401/99, 100, 104-107, 196, 197, 202, 208,
401/209, 213, 192, 195, 243; 708/107; 345/179,
345/173; 178/19.01; 700/94
See application file for complete search history.

(56) **References Cited**

U.S. PATENT DOCUMENTS

D461,499 S *	8/2002	Boyle et al.	D19/36
D462,356 S *	9/2002	Ono et al.	D14/411
D530,372 S *	10/2006	Sugino et al.	D19/36
D588,638 S *	3/2009	Busri	D19/36
D596,668 S *	7/2009	Ehara et al.	D19/55

D611,476 S *	3/2010	Busri	D14/411
D623,650 S *	9/2010	Ishibashi et al.	D14/411
D630,220 S *	1/2011	Zenri et al.	D14/411
D638,840 S *	5/2011	Kamata et al.	D14/411

* cited by examiner

Primary Examiner — Austin Murphy

(74) *Attorney, Agent, or Firm* — Sheppard Mullin Richter & Hampton LLP

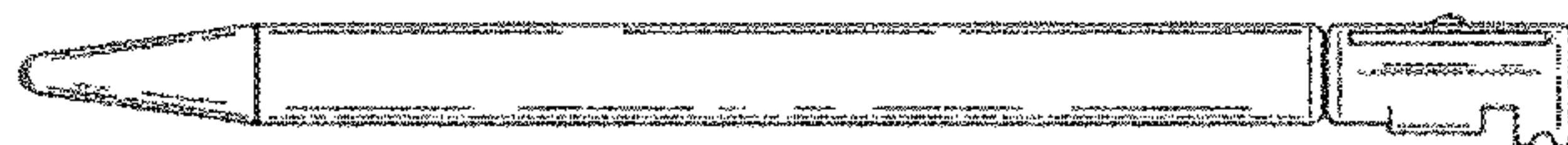
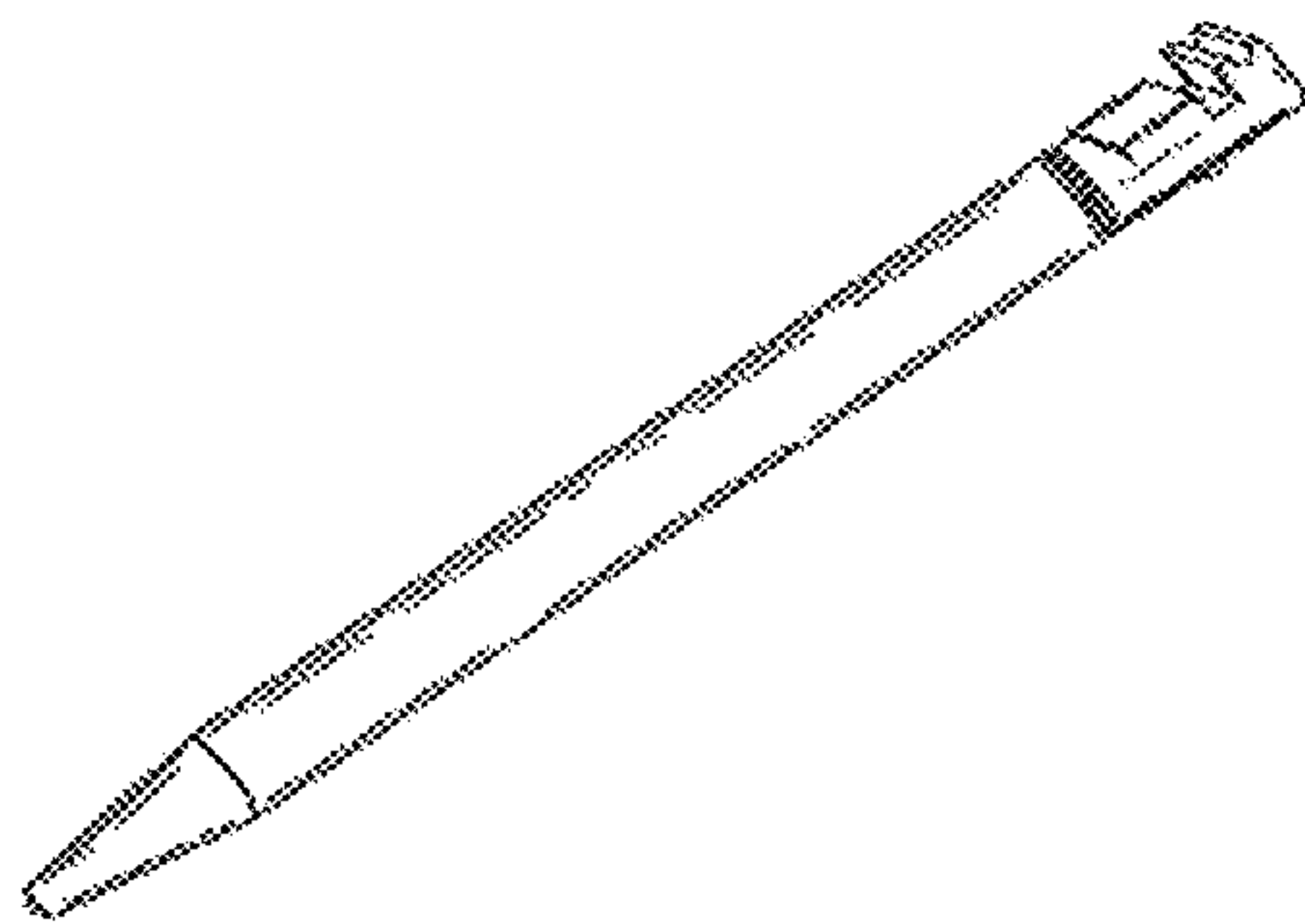
(57) **CLAIM**

I claim the ornamental design for a stylus, as shown and described.

DESCRIPTION

FIG. 1 is a perspective view of a stylus embodying the new design;
FIG. 2 is another perspective view thereof;
FIG. 3 is a bottom view thereof;
FIG. 4 is a top view thereof;
FIG. 5 is a front elevational view thereof;
FIG. 6 is a rear elevational view thereof.
FIG. 7 is a side elevational view thereof; and,
FIG. 8 is another side elevational view thereof.
The broken lines illustrate the disclaimed portions of the design and form no part of the claimed design.

1 Claim, 2 Drawing Sheets



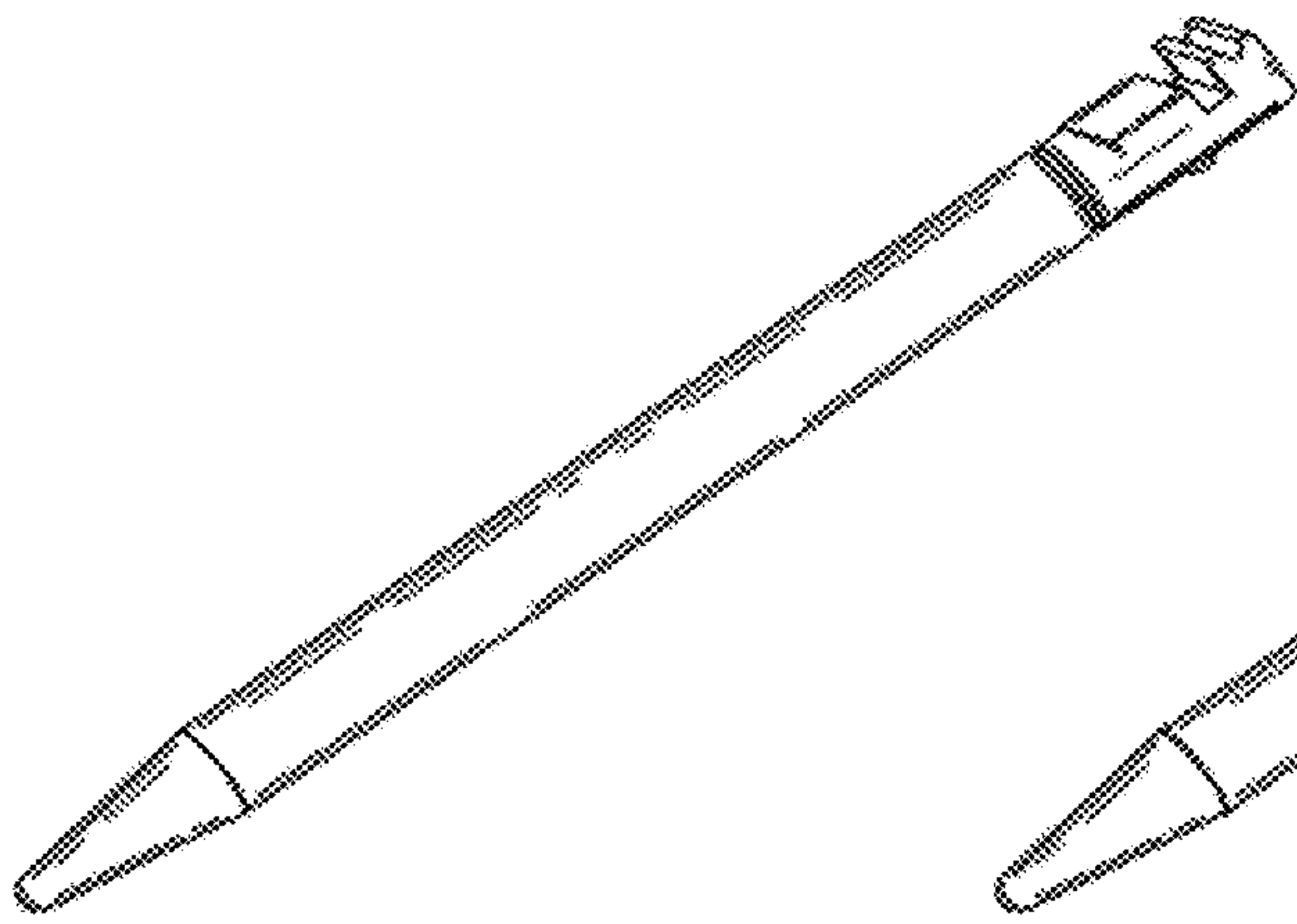


FIG. 1

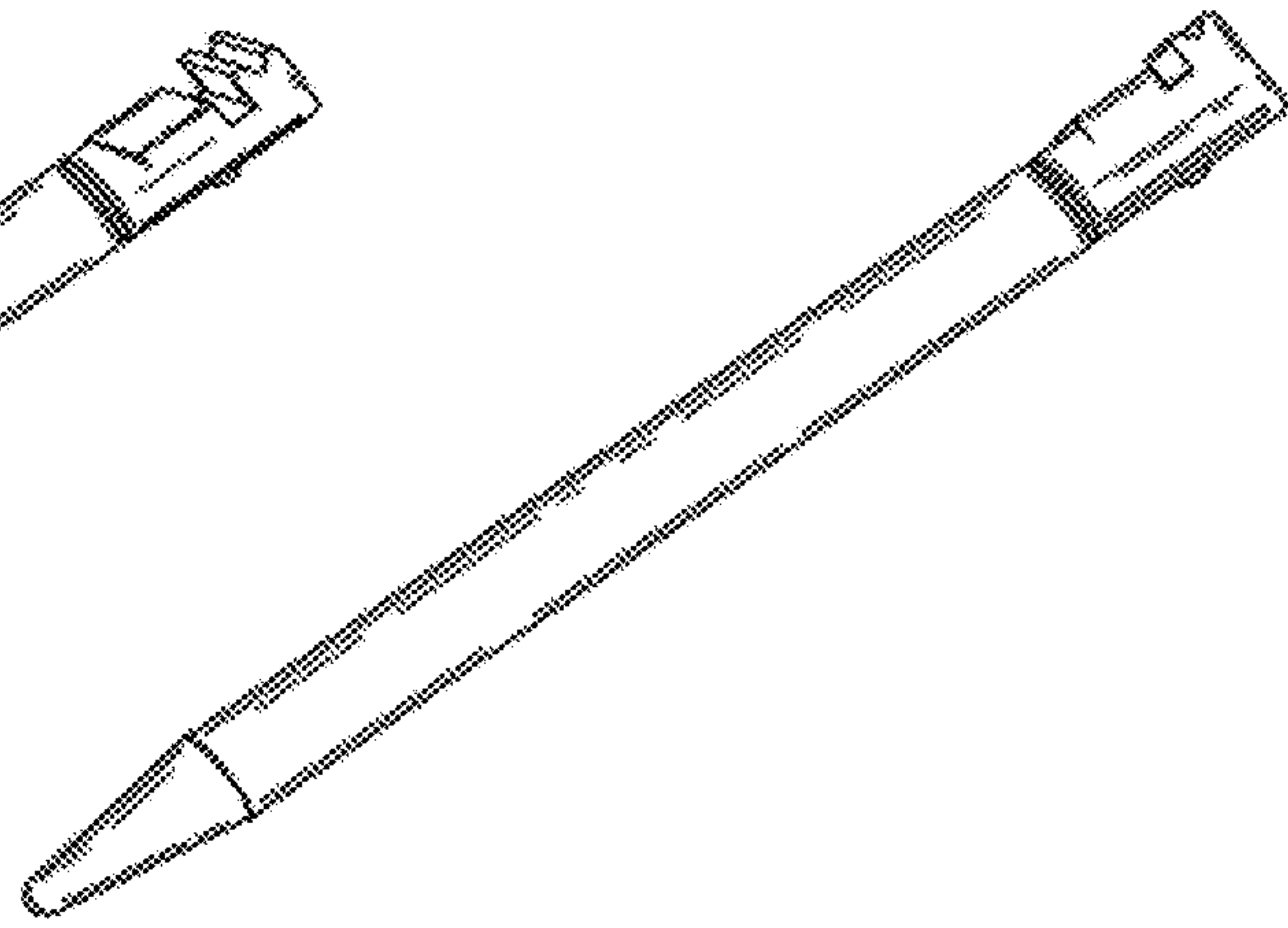


FIG. 2

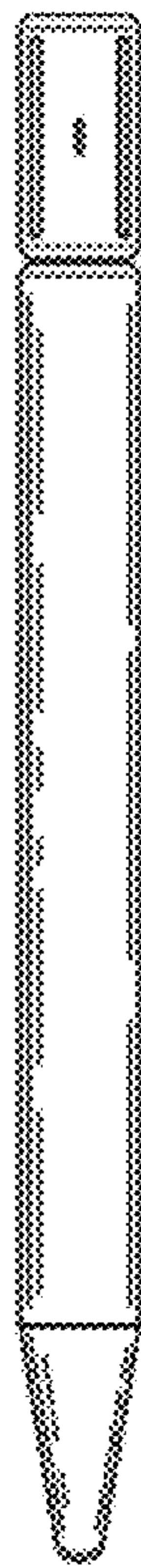


FIG. 3



FIG. 4

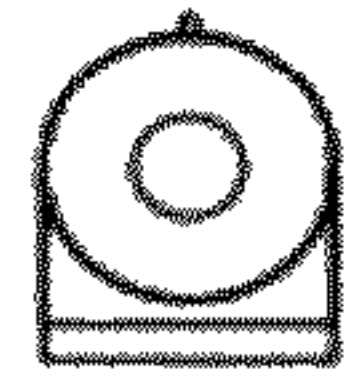


FIG. 5

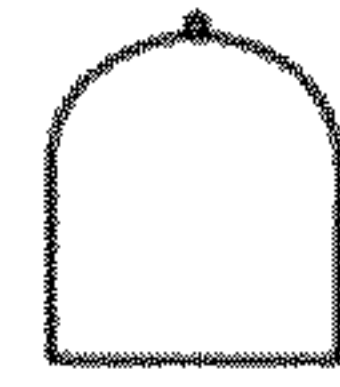


FIG. 6



FIG. 7

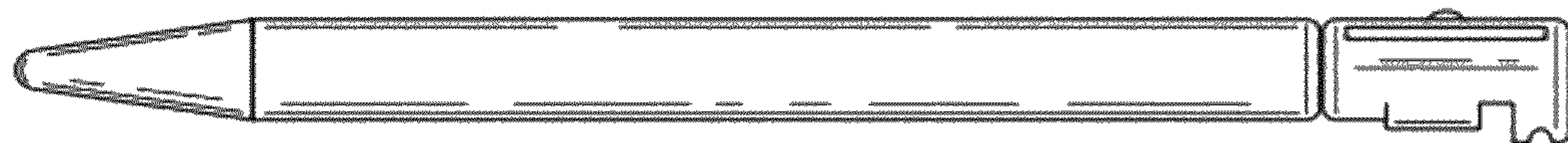


FIG. 8