

US00D660294S

(12) **United States Design Patent**  
**Chida**

(10) **Patent No.:** **US D660,294 S**  
(45) **Date of Patent:** **\*\* May 22, 2012**

(54) **HANDY TERMINAL**

(75) Inventor: **Hiromi Chida**, Chiba (JP)

(73) Assignee: **SII Data Service Corp.**, Chiba (JP)

(\*\*) Term: **14 Years**

(21) Appl. No.: **29/380,764**

(22) Filed: **Dec. 10, 2010**

(30) **Foreign Application Priority Data**

Jun. 18, 2010 (JP) ..... D2010-015108

(51) **LOC (9) CI.** ..... **14-02**

(52) **U.S. CI.** ..... **D14/345**

(58) **Field of Classification Search** ..... D14/341-347,  
D14/137, 138, 138.1, 138 AA, 138 R, 138 AB,  
D14/138 AC, 138 AD, 138 C, 138 G, 496,  
D14/203.1, 203.3, 203.4, 203.5, 203.7, 426,  
D14/427, 432, 429, 129, 130, 420, 439-441,  
D14/448, 125, 147, 156, 218, 247-248, 250,  
D14/389, 388, 315-318; D10/65, 104; D18/6-7;  
D21/324, 329, 330; D19/26, 59, 60; 455/556.1,  
455/556.2, 566, 575.1, 90.3; 379/433.04,  
379/433.01, 433.06, 916; 345/169, 173,  
345/901, 905, 179; 361/679.09, 679.15,  
361/679.16, 679.26, 679.27, 679.3, 679.55,  
361/679.56, 680-686; 248/917-924; 348/373,  
348/376; 235/145 A, 145 R

See application file for complete search history.

(56) **References Cited**

**U.S. PATENT DOCUMENTS**

D317,935 S \* 7/1991 Sawano ..... D18/7  
D325,571 S \* 4/1992 Sakaguchi et al. .... D14/345  
D327,493 S \* 6/1992 Hayashi ..... D14/345

D328,090 S \* 7/1992 Ido ..... D14/345  
D334,020 S \* 3/1993 Takahata ..... D18/7  
D345,732 S \* 4/1994 Sakaguchi et al. .... D14/345  
D354,046 S \* 1/1995 Sakaguchi et al. .... D14/345  
D444,466 S \* 7/2001 Nishida ..... D14/345  
D481,036 S \* 10/2003 Wentt ..... D14/345  
D615,973 S \* 5/2010 Sip et al. .... D14/346

**OTHER PUBLICATIONS**

“Scute”; <http://www.siidaservice.co.jp>; captured on the internet  
Jan. 3, 2012.\*

\* cited by examiner

*Primary Examiner* — Barbara Fox

(74) *Attorney, Agent, or Firm* — Finnegan, Henderson,  
Farabow, Garrett & Dunner, L.L.P.

(57) **CLAIM**

The ornamental design for a handy terminal, as shown and  
described.

**DESCRIPTION**

FIG. 1 is a front view of a handy terminal showing my new  
design;

FIG. 2 is a rear view thereof;

FIG. 3 is a left side view thereof;

FIG. 4 is a right side view thereof;

FIG. 5 is a top plan view thereof;

FIG. 6 is a bottom view thereof;

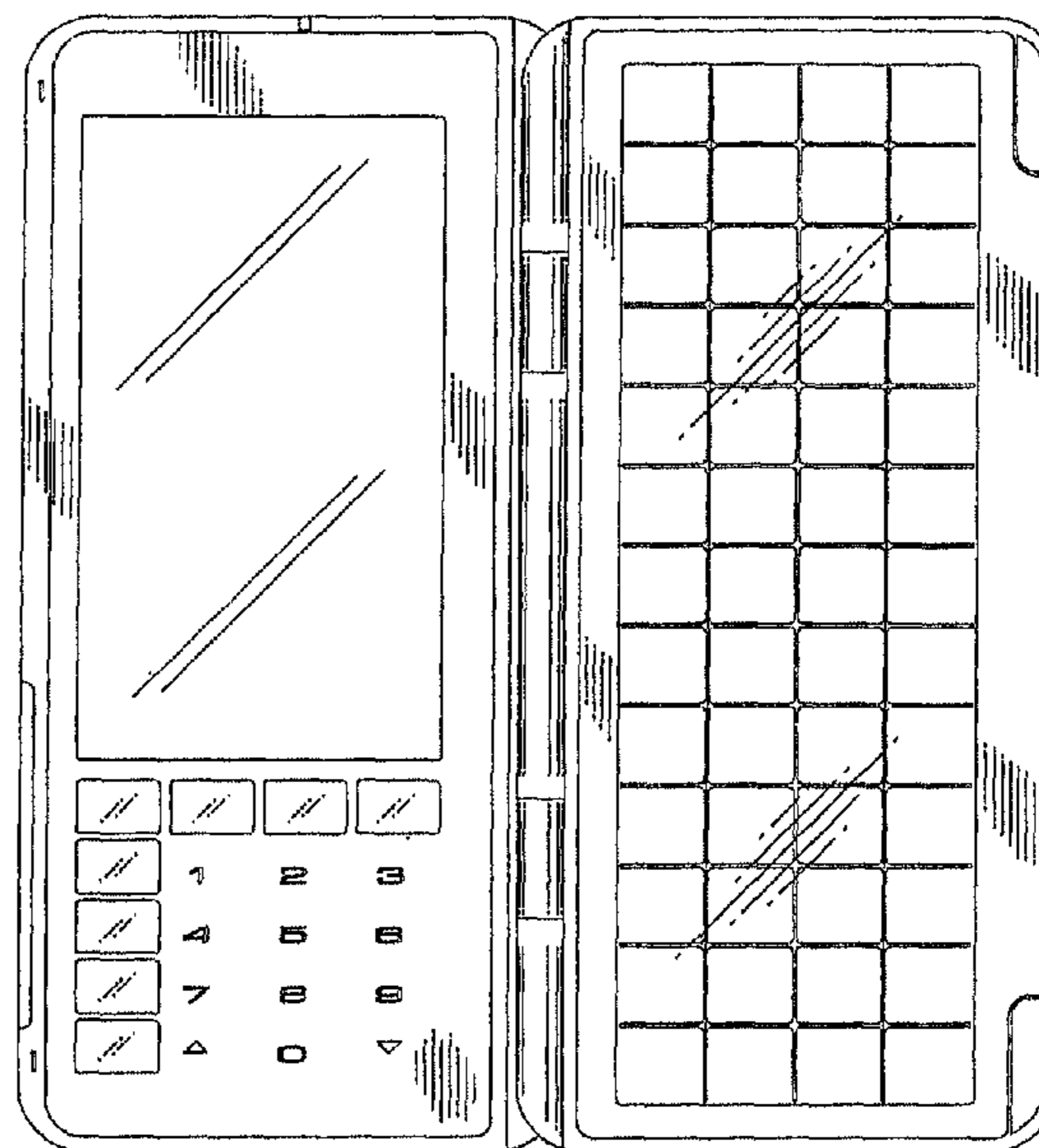
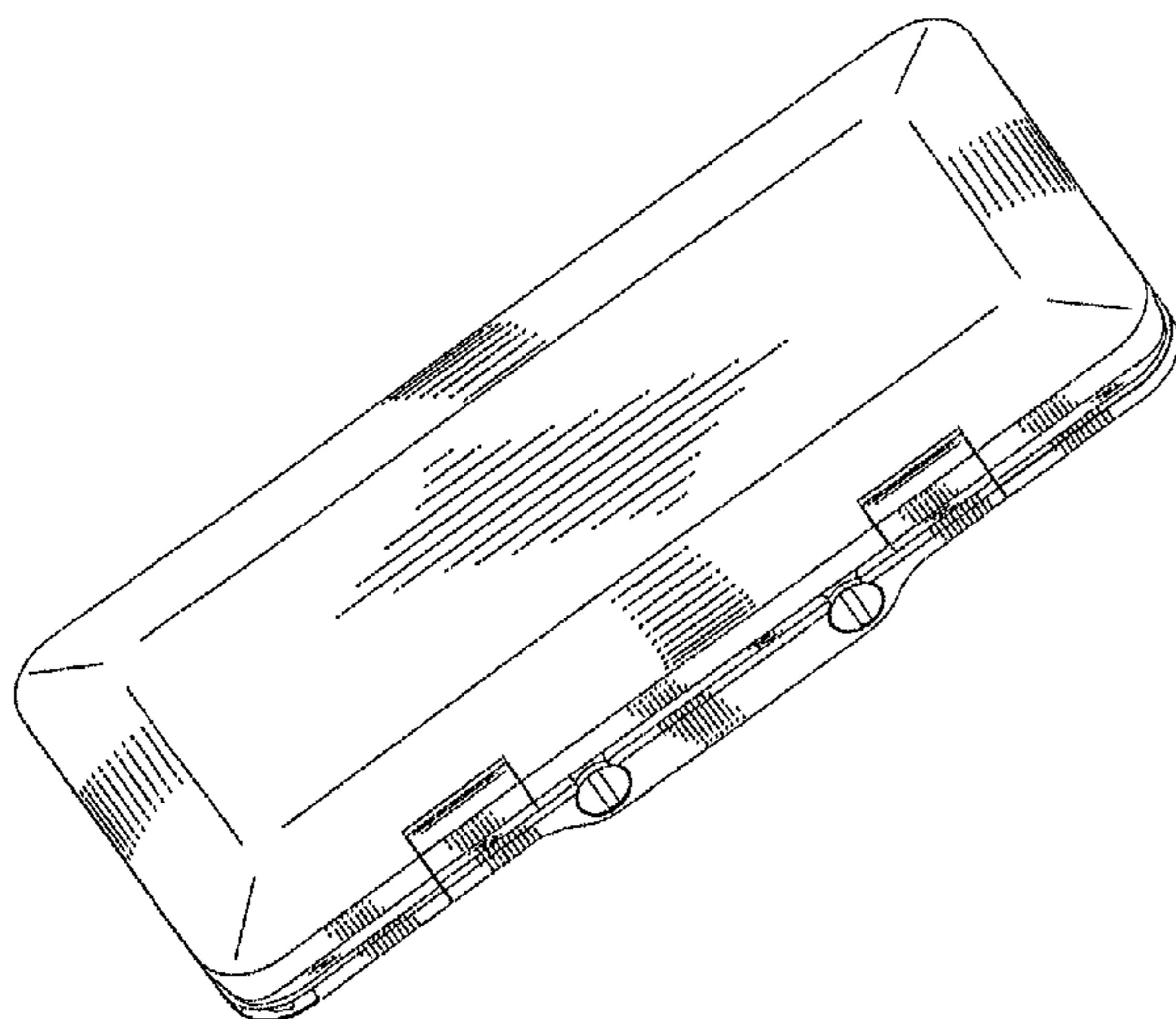
FIG. 7 is a perspective view of top and right side thereof;

FIG. 8 is a front view with the cover in opened condition  
thereof; and,

FIG. 9 is a front view thereof with the cover removed for ease  
of illustration.

The broken lines shown in the drawings represent unclaimed  
portions of the handy terminal and form no part of the claimed  
design.

**1 Claim, 5 Drawing Sheets**



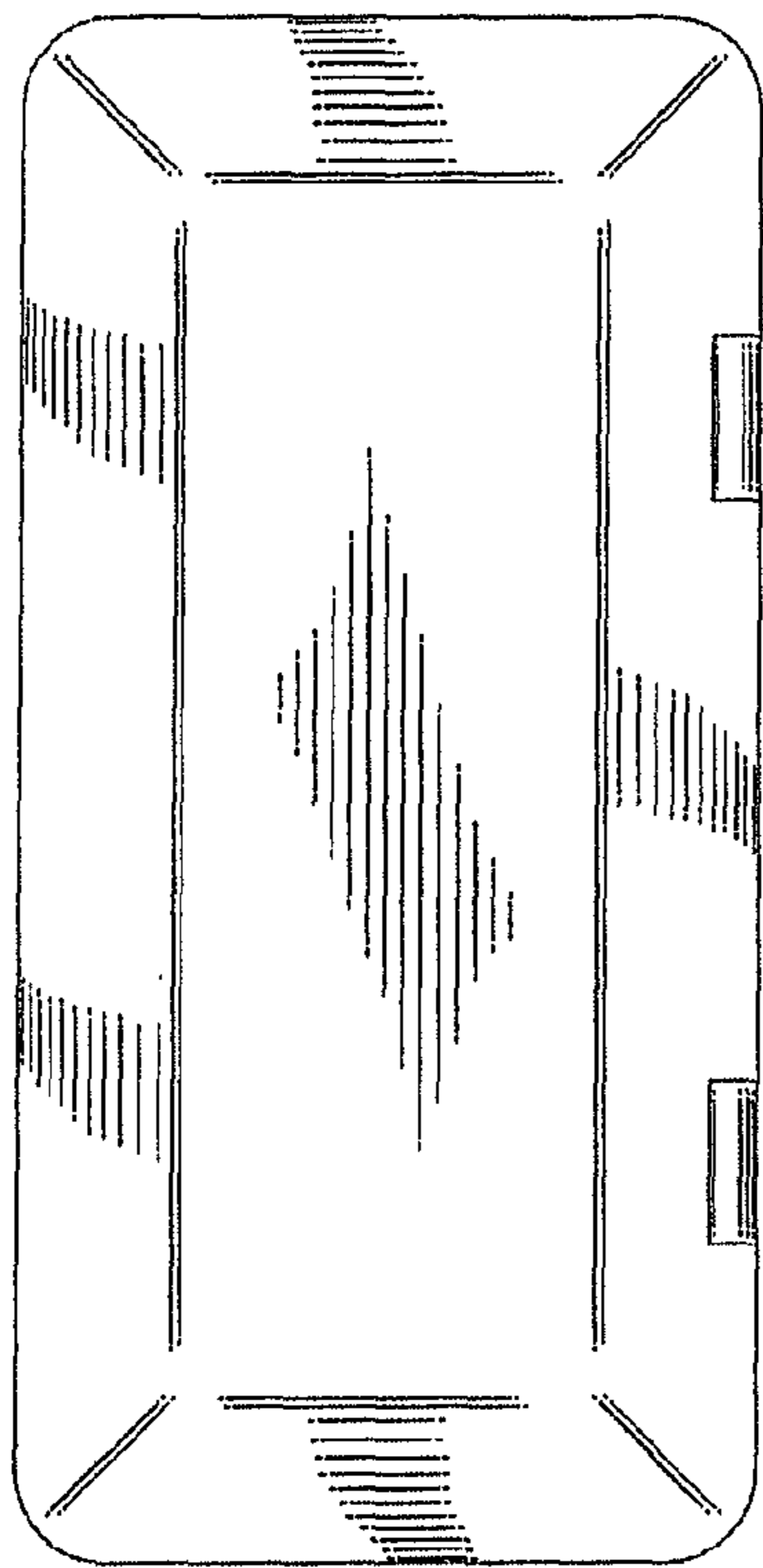


FIG. 1

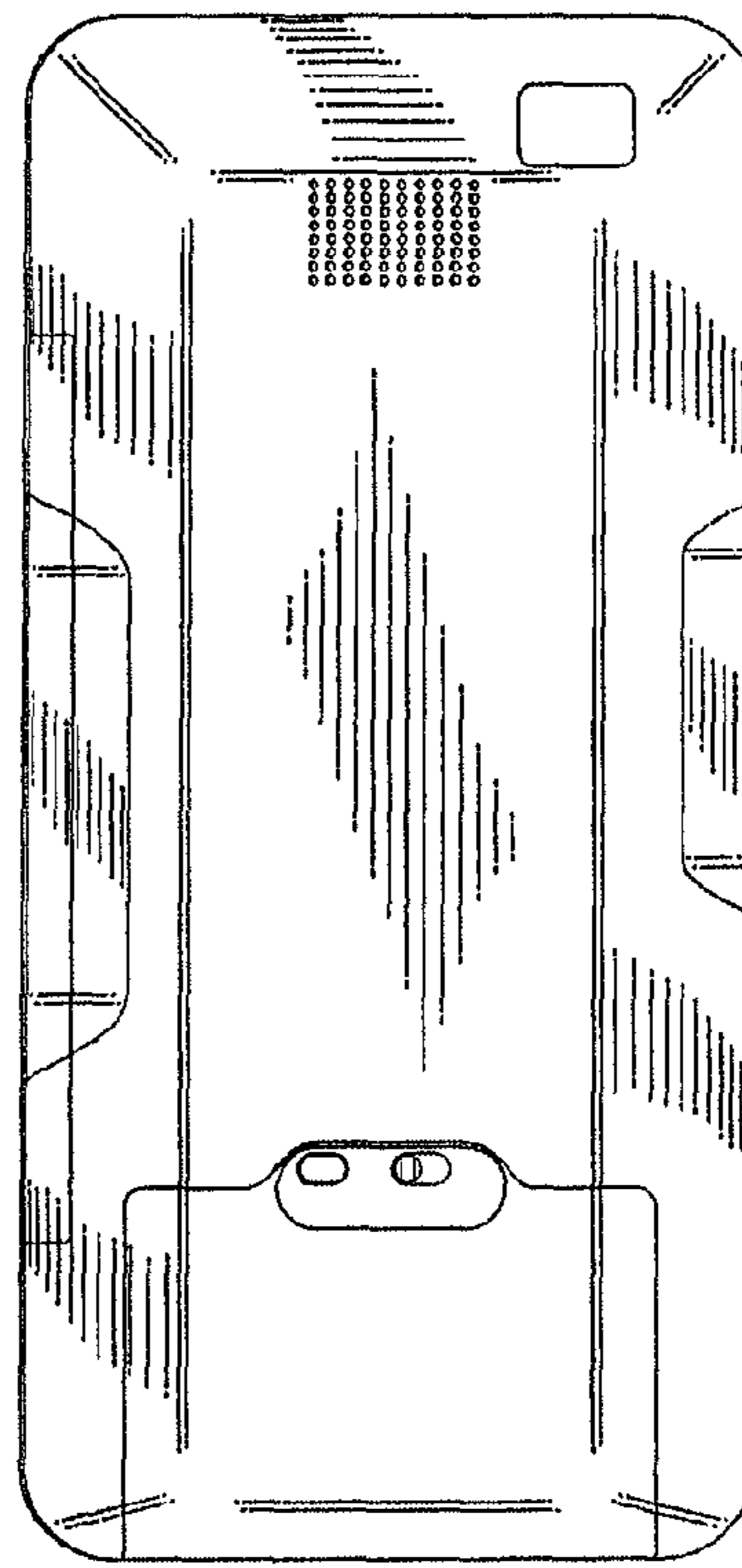


FIG. 2

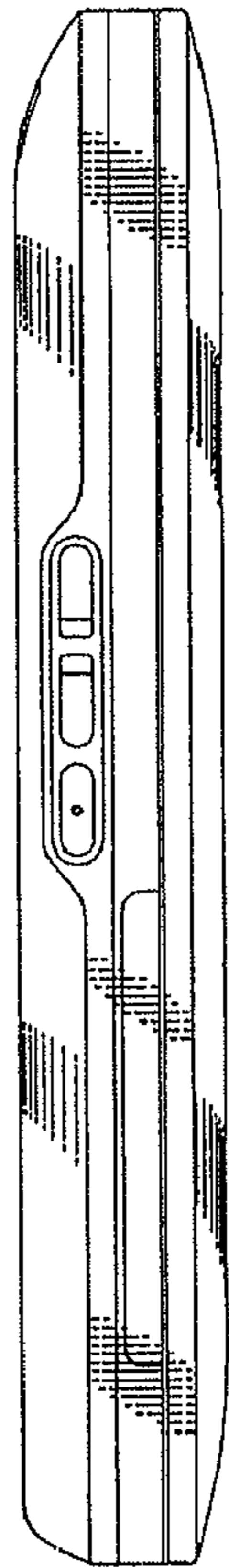


FIG. 3



FIG. 4



FIG. 5



FIG. 6

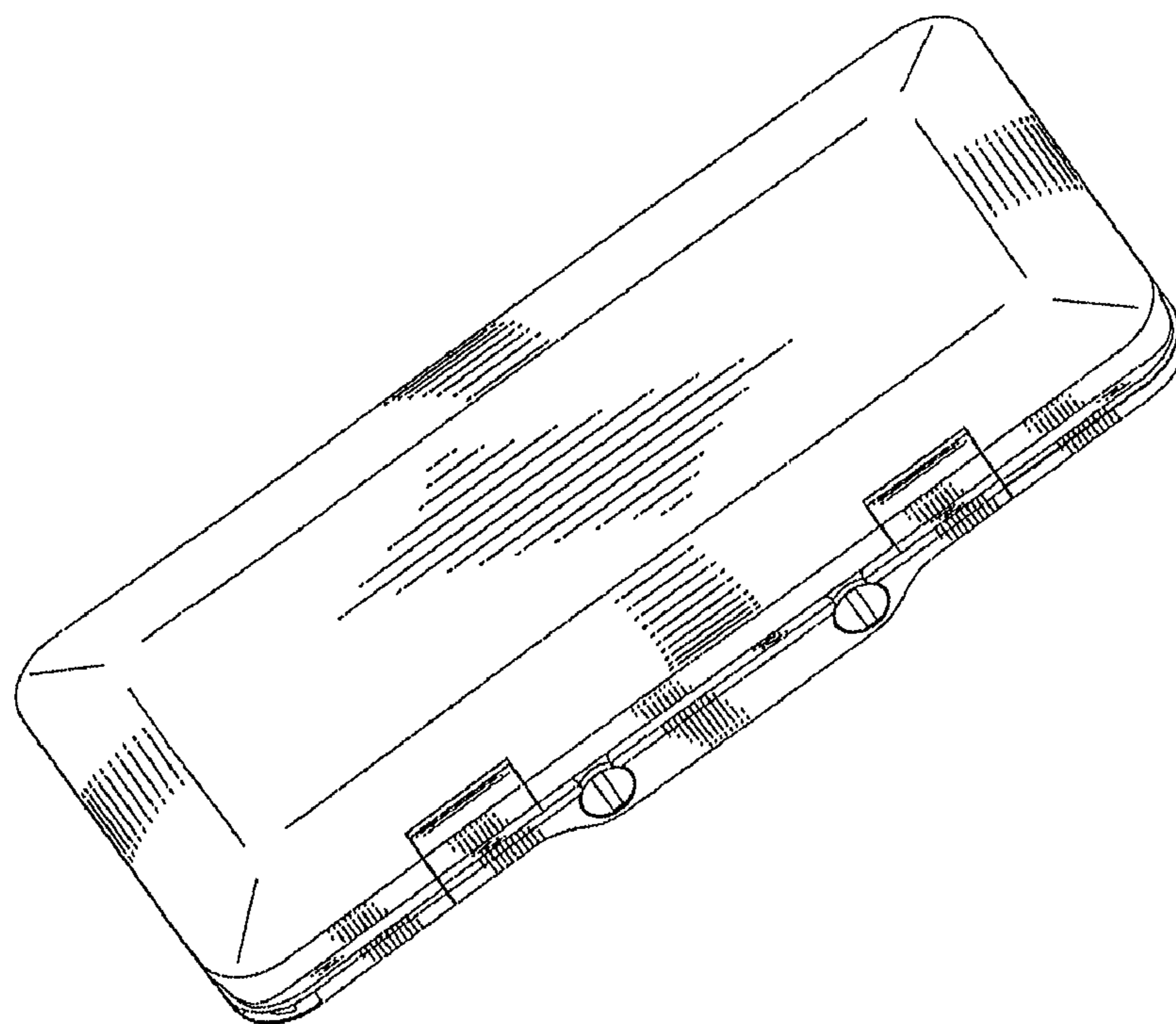


FIG. 7



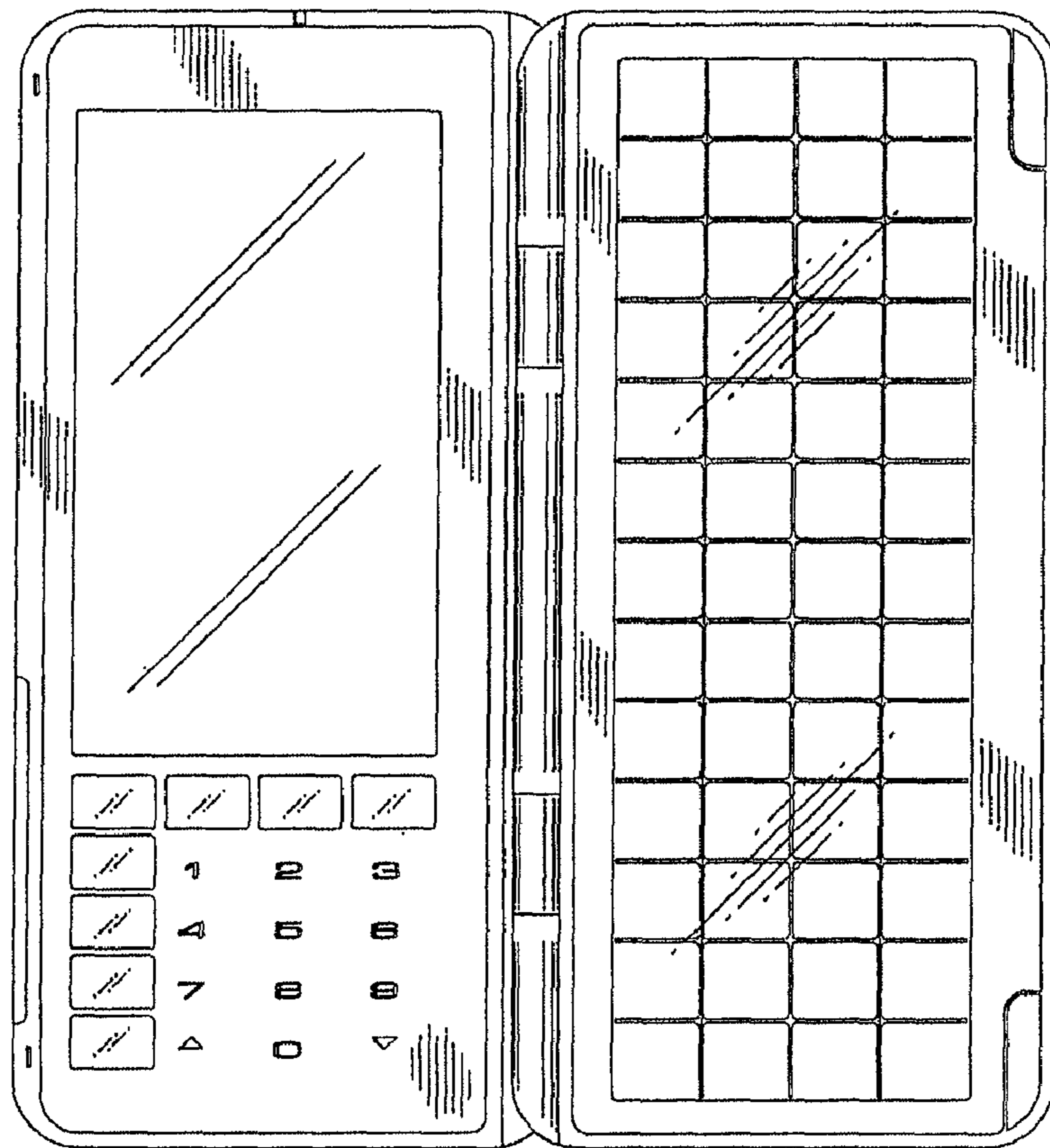


FIG. 8

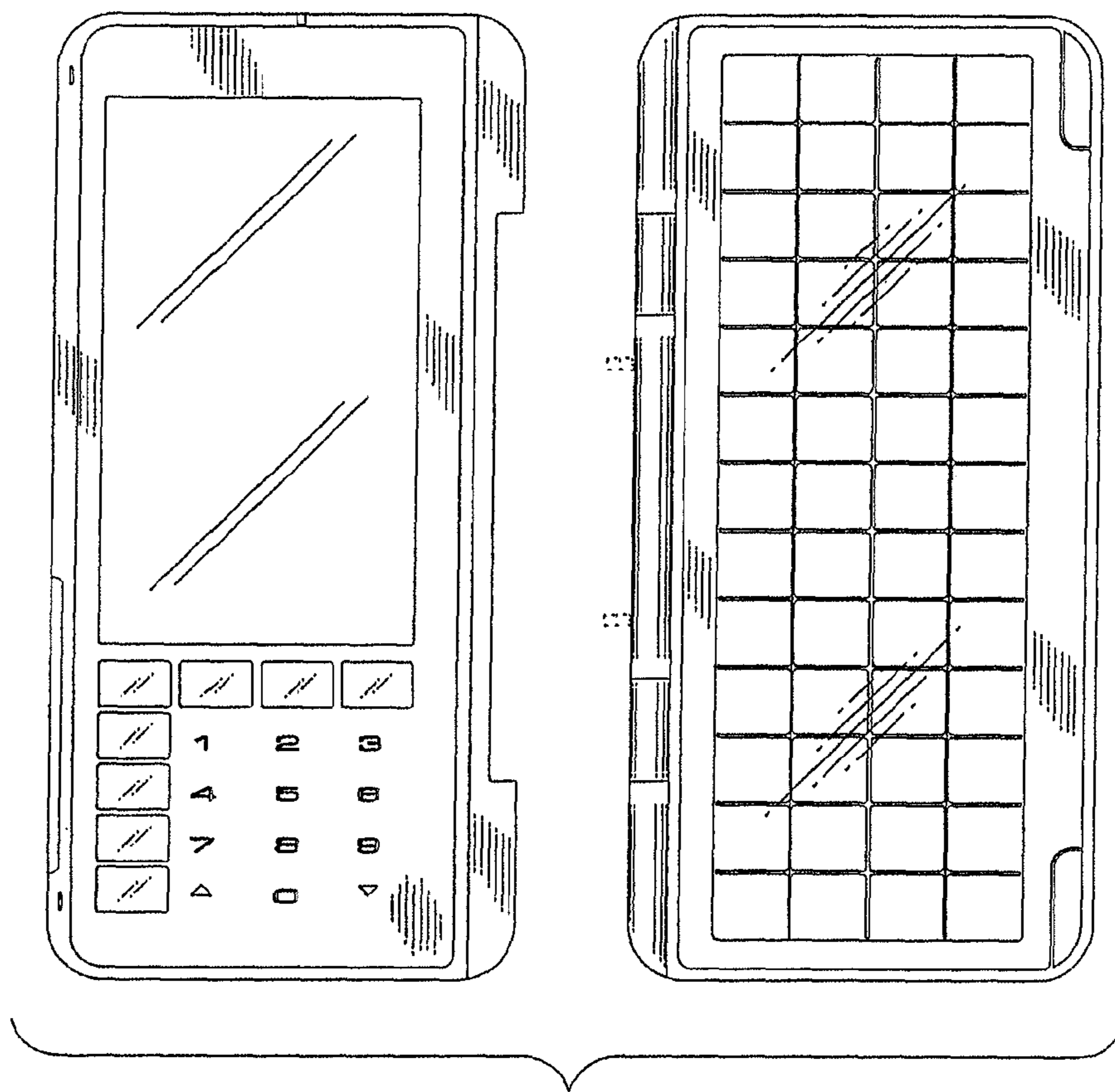


FIG. 9