



US00D660293S

(12) **United States Design Patent**
Itou et al.

(10) **Patent No.:** **US D660,293 S**
(45) **Date of Patent:** **** May 22, 2012**

(54) **TELEVISION RECEIVER STAND**
(75) Inventors: **Masakatsu Itou**, Osaka (JP); **Mitsuru Takami**, Osaka (JP)
(73) Assignee: **Panasonic Corporation**, Osaka (JP)
(**) Term: **14 Years**

D545,313 S * 6/2007 Kim D14/375
D588,117 S * 3/2009 Arai D14/239
D620,902 S * 8/2010 Kim et al. D14/126
D635,569 S * 4/2011 Park D14/374
D635,975 S * 4/2011 Seo et al. D14/374
D639,759 S * 6/2011 Shin et al. D14/126
D642,147 S * 7/2011 Won et al. D14/126
D655,264 S * 3/2012 Lee et al. D14/126
D655,279 S * 3/2012 Buzzard et al. D14/239

(21) Appl. No.: **29/409,343**
(22) Filed: **Dec. 22, 2011**

FOREIGN PATENT DOCUMENTS

JP D1398467 10/2010
* cited by examiner

(30) **Foreign Application Priority Data**
Oct. 12, 2011 (JP) 2011-023358

Primary Examiner — Raphael Barkai
Assistant Examiner — Randall Gholson
(74) *Attorney, Agent, or Firm* — Panasonic Patent Center;
Dhiren Odedra; Kerry Culpepper

(51) **LOC (9) Cl.** **14-03**
(52) **U.S. Cl.** **D14/239**
(58) **Field of Classification Search** D14/447,
D14/451, 452, 239, 432, 434, 439, 448, 457,
D14/251, 253, 224, 224.1, 126, 127, 371,
D14/373, 374, 375; D8/363, 373, 380; 248/917,
248/918, 919, 920, 921, 922, 923, 924, 441.1,
248/460, 122.1, 125.7, 371, 176.1, 176.3,
248/222.52, 276.1, 324; 361/679.06, 679.04,
361/679.21, 679.22, 679.56
See application file for complete search history.

(57) **CLAIM**
We claim the ornamental design for a television receiver stand, as shown and described.

(56) **References Cited**

DESCRIPTION

FIG. 1 is a top perspective view of a television receiver stand of the present invention;
FIG. 2 is a front view thereof;
FIG. 3 is a rear view thereof;
FIG. 4 is a first side view thereof, a second side view being symmetric image of a first side view;
FIG. 5 is a top view thereof; and,
FIG. 6 is a bottom view thereof.

U.S. PATENT DOCUMENTS
D423,822 S * 5/2000 Takemasa D6/466
D539,273 S * 3/2007 Fujii D14/239
D545,312 S * 6/2007 Kim D14/375

1 Claim, 6 Drawing Sheets

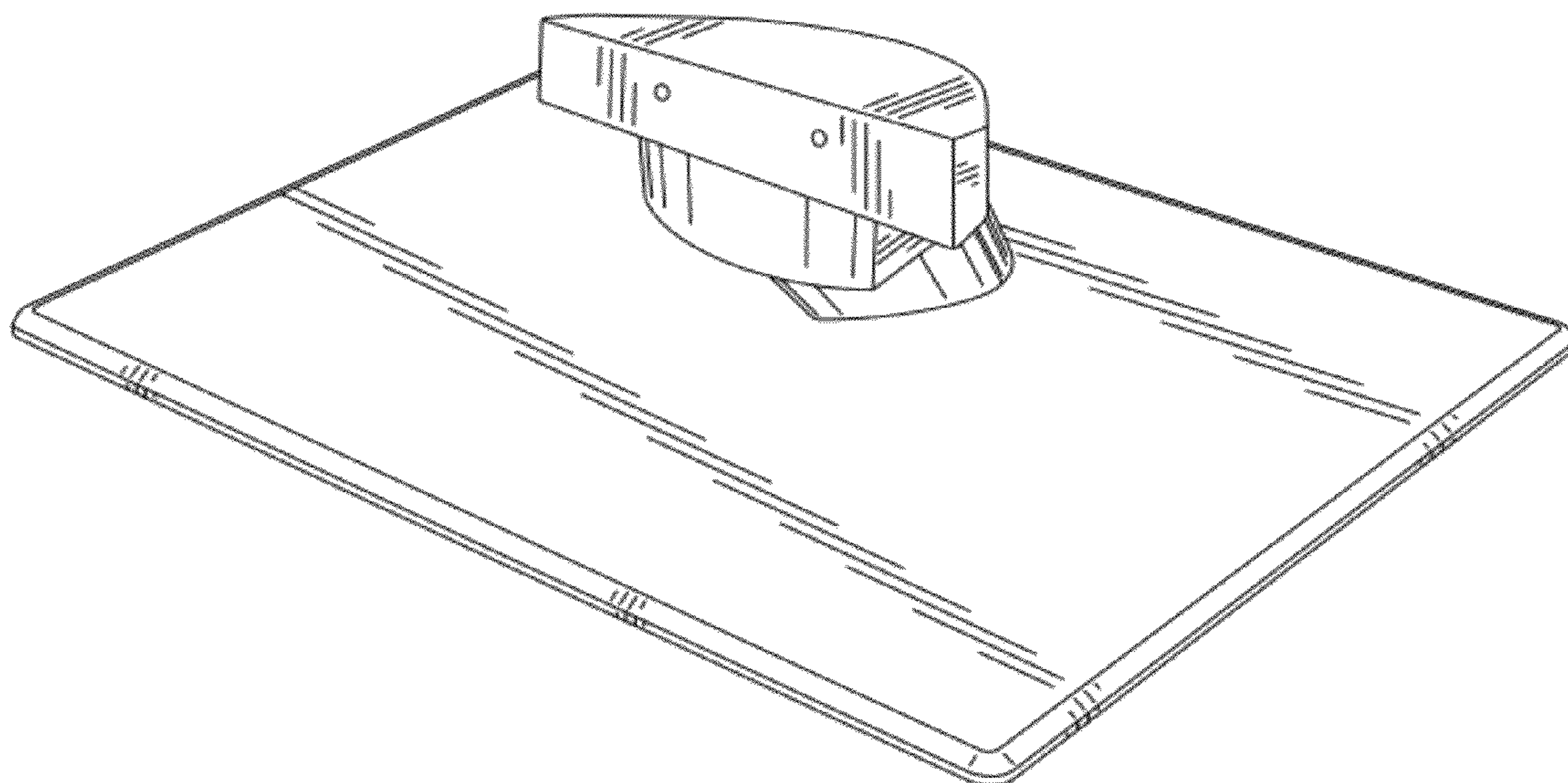


FIG. 1

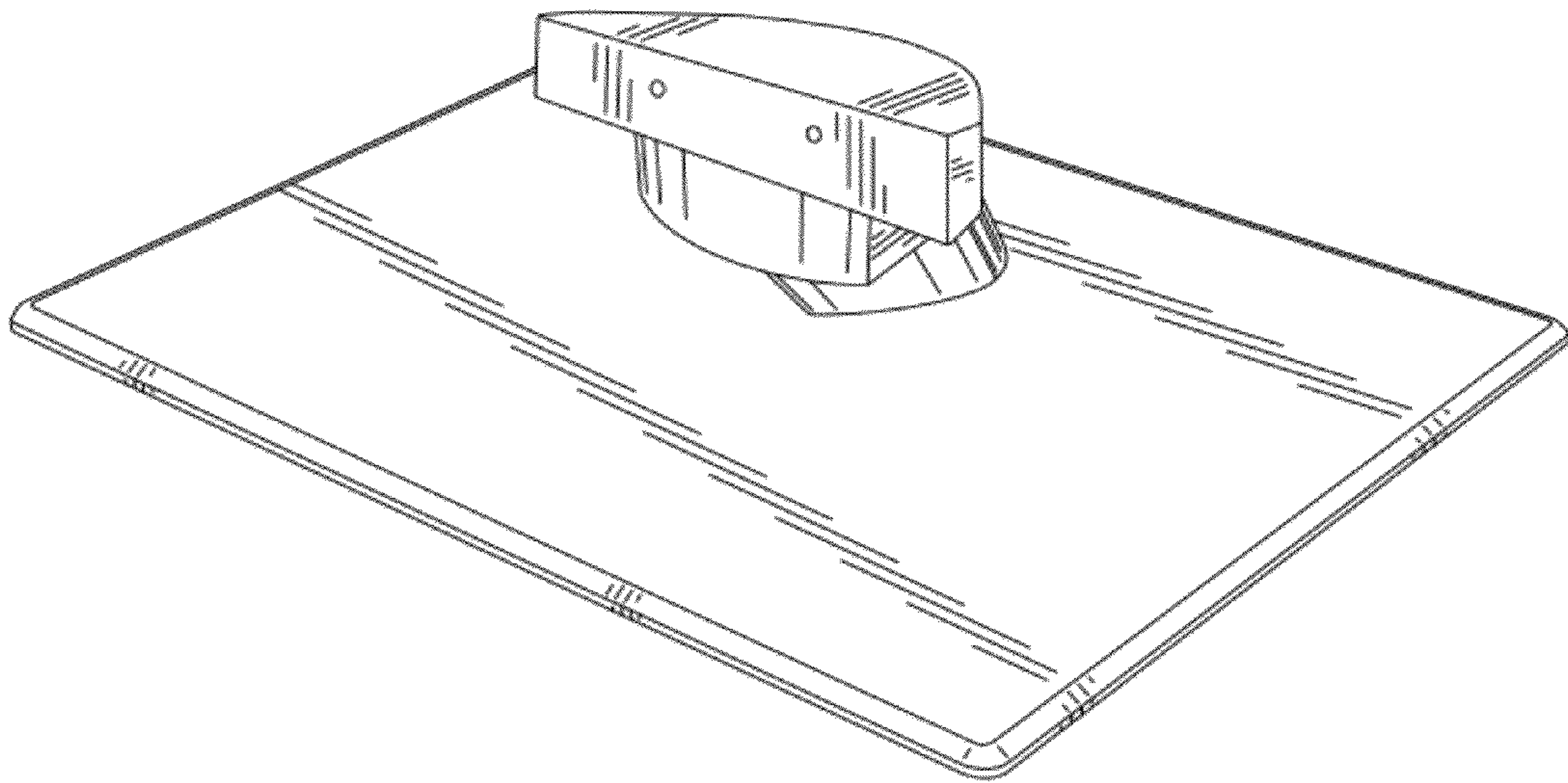


FIG. 2

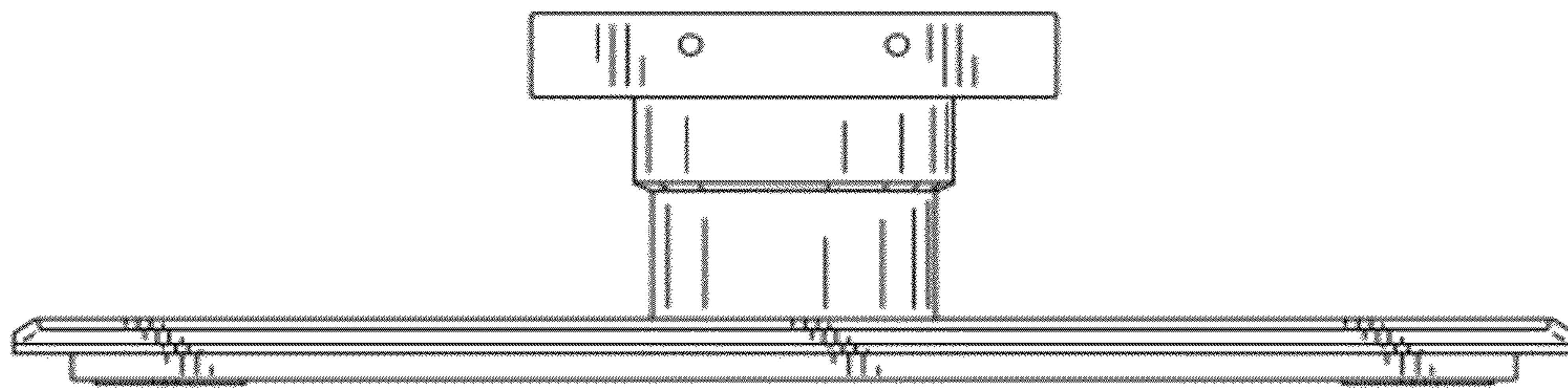


FIG. 3

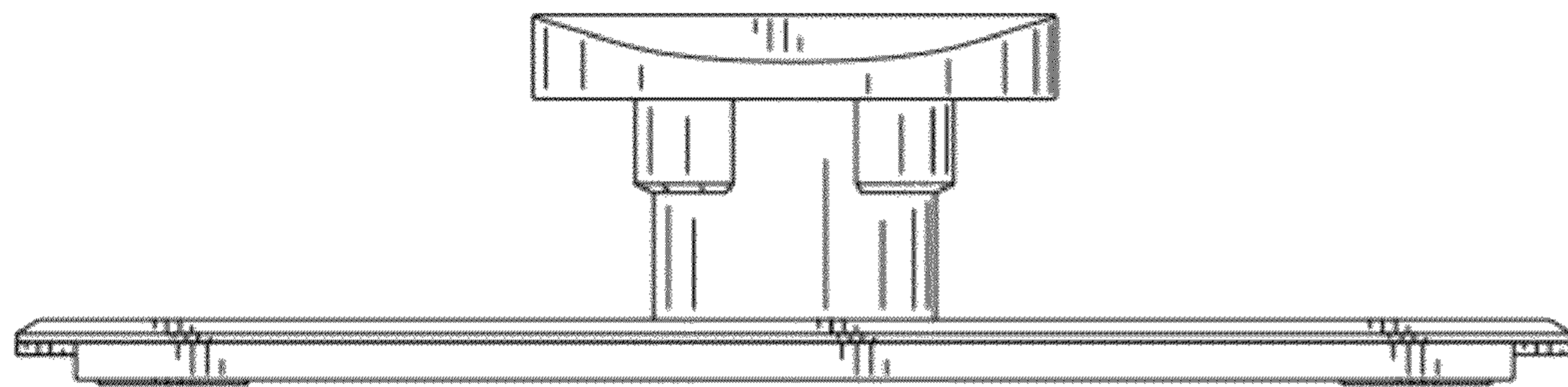


FIG. 4

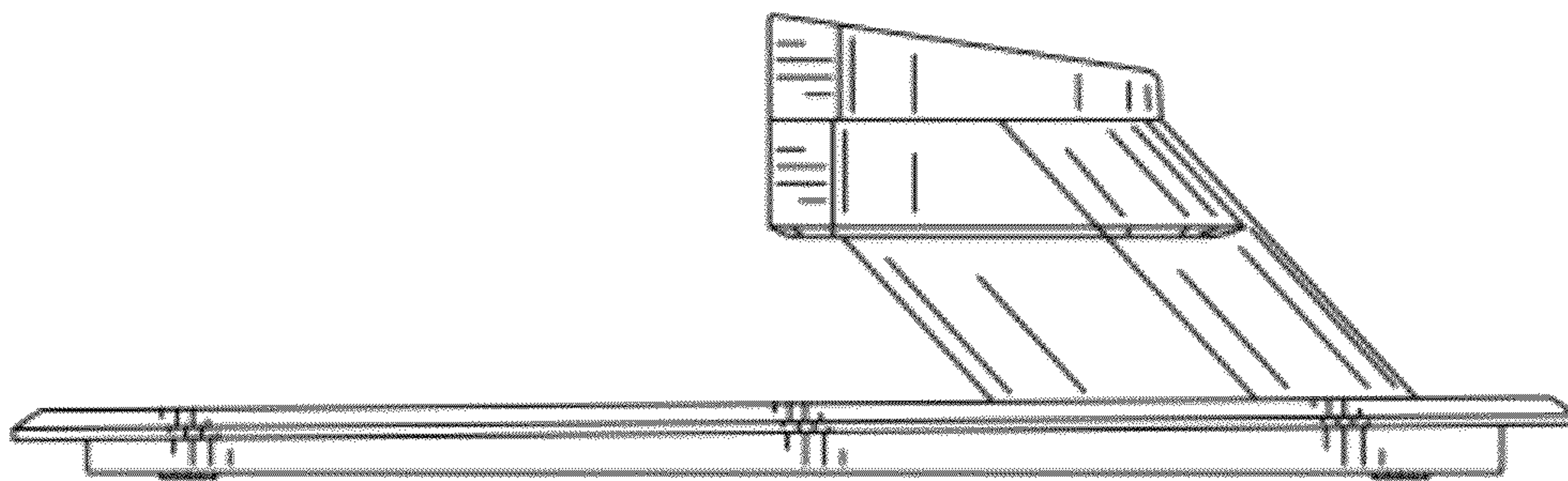


FIG. 5

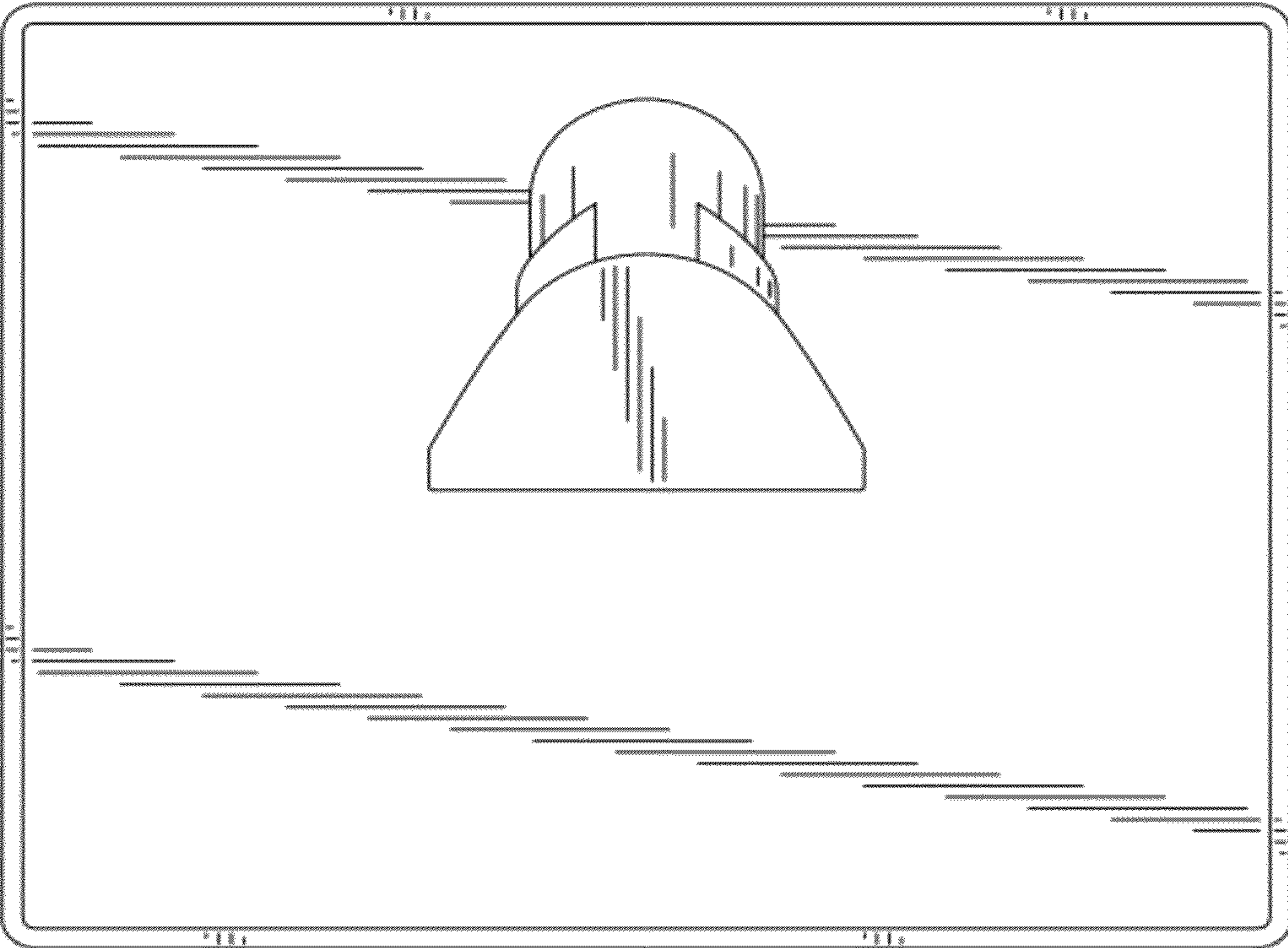


FIG. 6

