



US00D660291S

(12) **United States Design Patent**
Thomas et al.

(10) **Patent No.:** **US D660,291 S**

(45) **Date of Patent:** **** May 22, 2012**

(54) **EARBUD**

(75) Inventors: **Ravi Thomas**, Avon, IN (US); **Robert Karlsson**, Bredaryd (SE); **Niklas D. B. Emilsson**, Rydaholm (SE)

(73) Assignee: **3M Innovative Properties Company**, St. Paul, MN (US)

(**) Term: **14 Years**

(21) Appl. No.: **29/397,763**

(22) Filed: **Jul. 20, 2011**

(51) **LOC (9) Cl.** **14-01**

(52) **U.S. Cl.** **D14/223**

(58) **Field of Classification Search** D14/205,
D14/206, 223; D24/174; 181/129, 130,
181/135; 379/430, 431; 381/380, 381; 455/90.3,
455/575.1

See application file for complete search history.

D602,475 S	10/2009	Martin	
D614,168 S	4/2010	Rogers et al.	
D622,707 S	8/2010	Chen et al.	
D626,948 S *	11/2010	Nault	D14/223
D628,193 S	11/2010	Zheng	
D629,395 S	12/2010	Lee et al.	
D632,677 S	2/2011	Brown et al.	
D632,678 S	2/2011	Brown et al.	
D635,558 S *	4/2011	Zheng	D14/223
D637,998 S *	5/2011	Brunner et al.	D14/205
D643,417 S *	8/2011	Lee et al.	D14/223

FOREIGN PATENT DOCUMENTS

JP D048608-002 6/2009

* cited by examiner

Primary Examiner — Paula Greene

(74) *Attorney, Agent, or Firm* — Eric D. Levinson

(57) **CLAIM**

The ornamental design for an earbud, as shown and described.

(56) **References Cited**

U.S. PATENT DOCUMENTS

2,248,837 A *	7/1941	Walters	381/380
3,440,365 A *	4/1969	Hazell et al.	379/430
5,410,608 A *	4/1995	Lucey et al.	381/360
6,386,314 B1 *	5/2002	Sheehan et al.	181/129
D485,548 S *	1/2004	Obata	D14/223
D554,627 S *	11/2007	Gondo	D14/223
D564,495 S *	3/2008	Sasaki	D14/205
D566,687 S	4/2008	Duarte et al.	
D596,616 S	7/2009	Andrew et al.	
D597,084 S *	7/2009	Gondo	D14/223
D598,901 S *	8/2009	Lee et al.	D14/223
D601,133 S	9/2009	Ohori	

DESCRIPTION

FIG. 1 is an overhead perspective view showing the new design for an earbud.

FIG. 2 is a side view thereof, both sides being mirror images of each other;

FIG. 3 is a top view thereof;

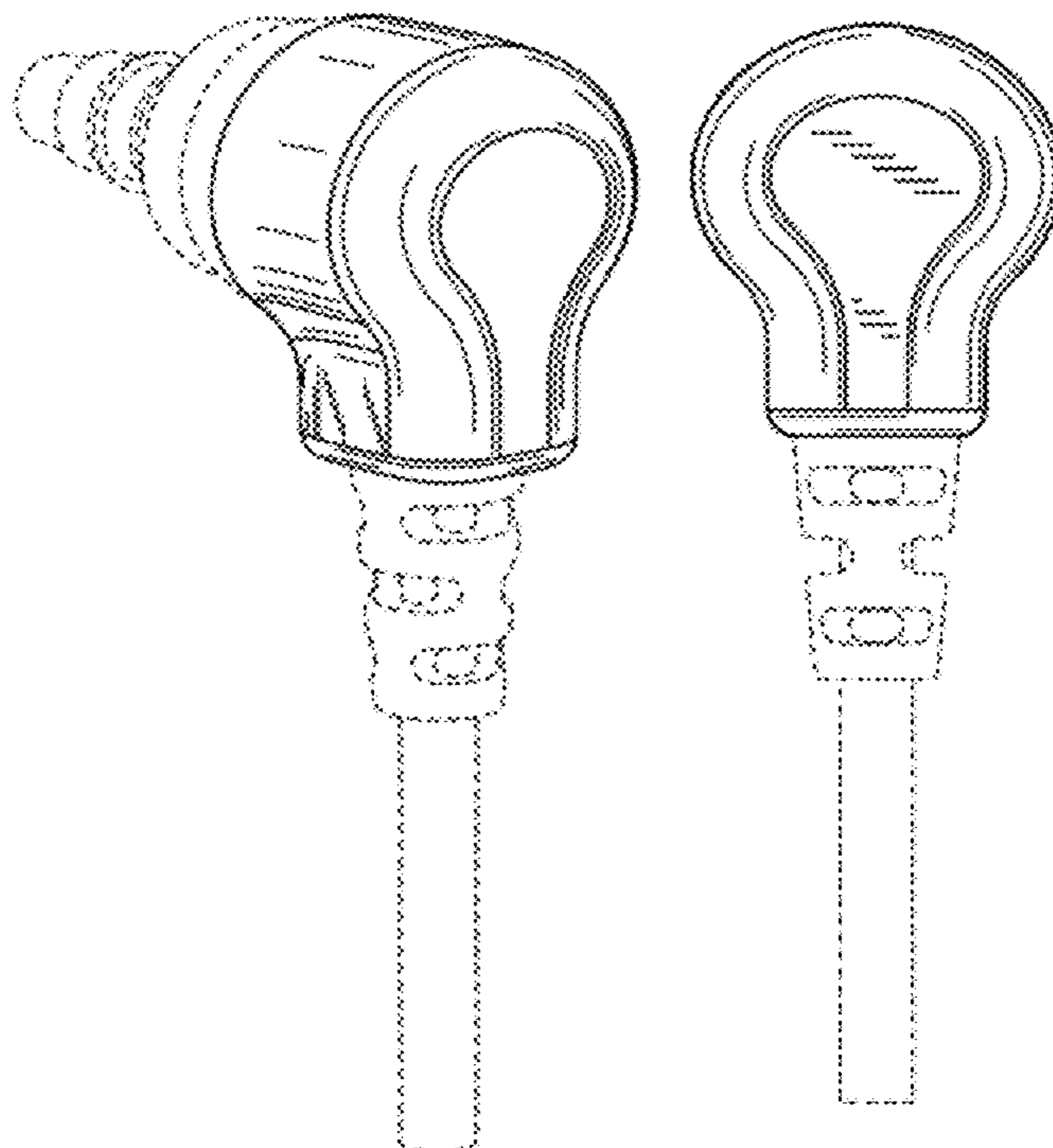
FIG. 4 is a bottom view thereof;

FIG. 5 is a front view thereof; and,

FIG. 6 is a rear view thereof.

The broken lines form no part of the claimed design.

1 Claim, 3 Drawing Sheets



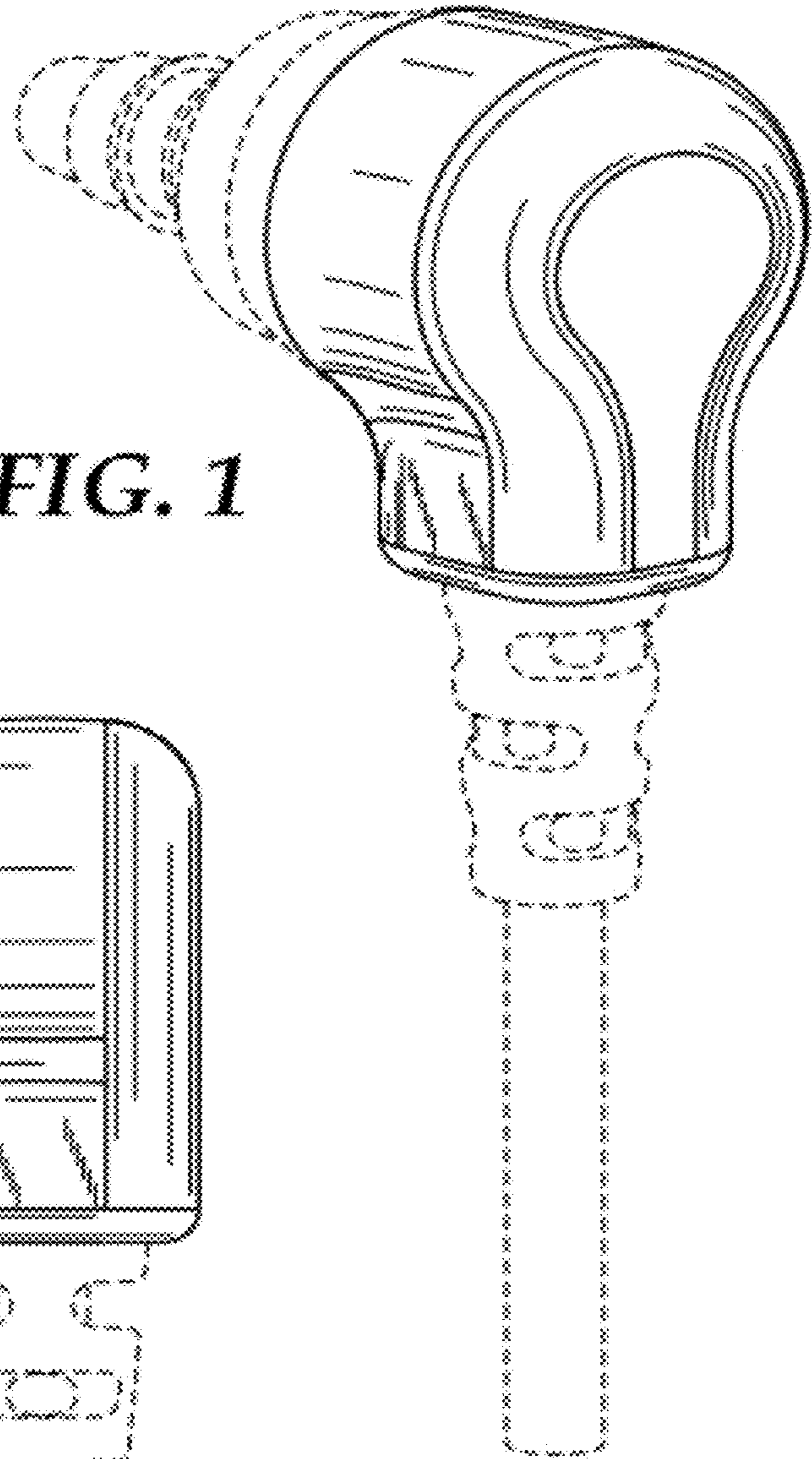


FIG. 1

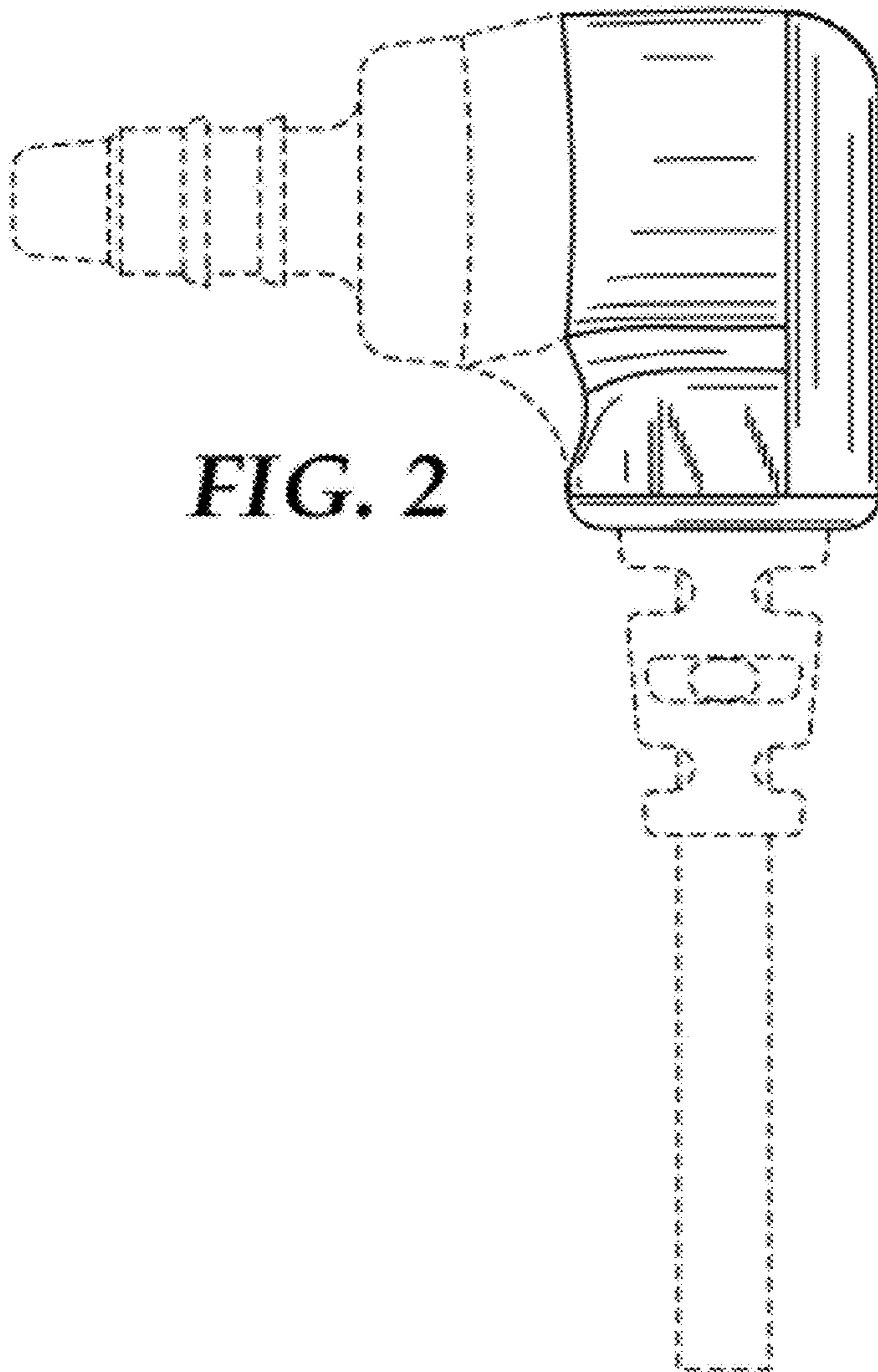


FIG. 2

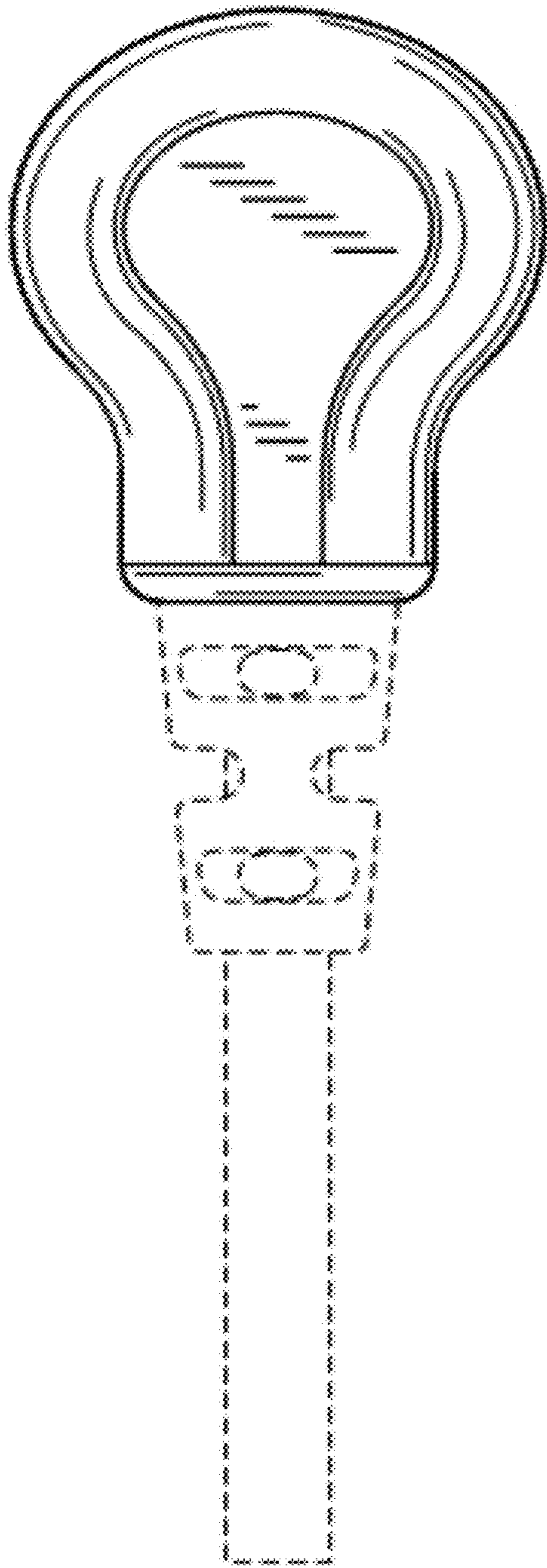


FIG. 3

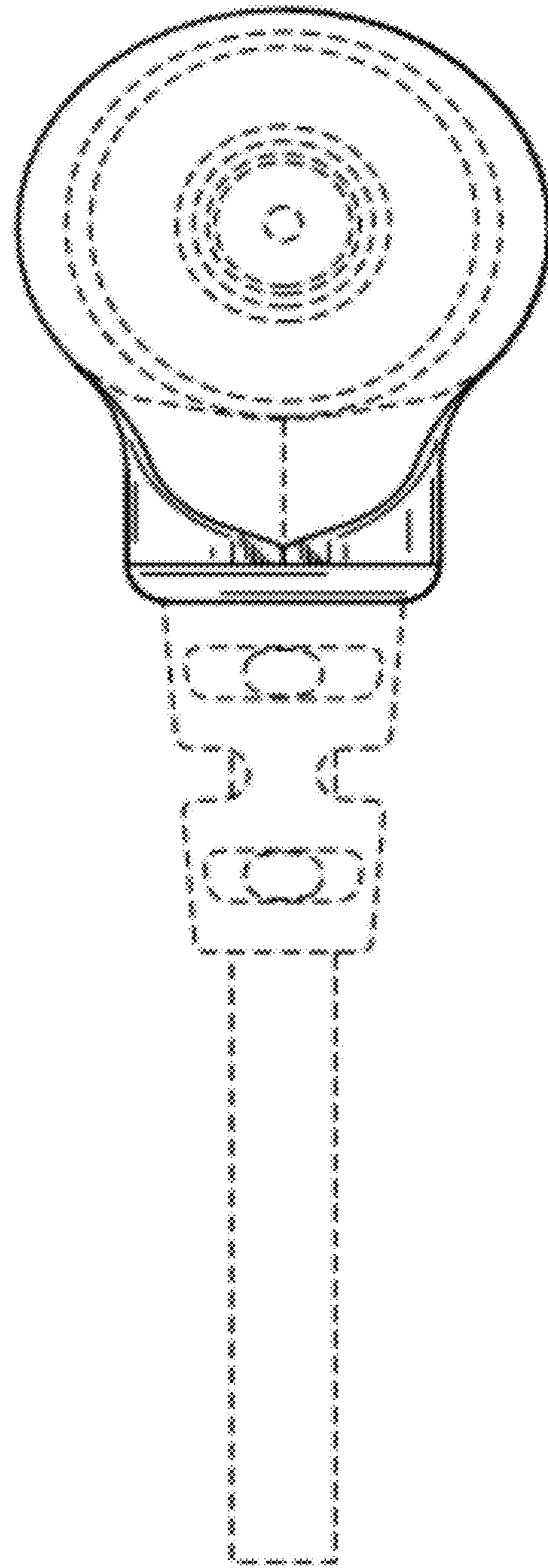


FIG. 4

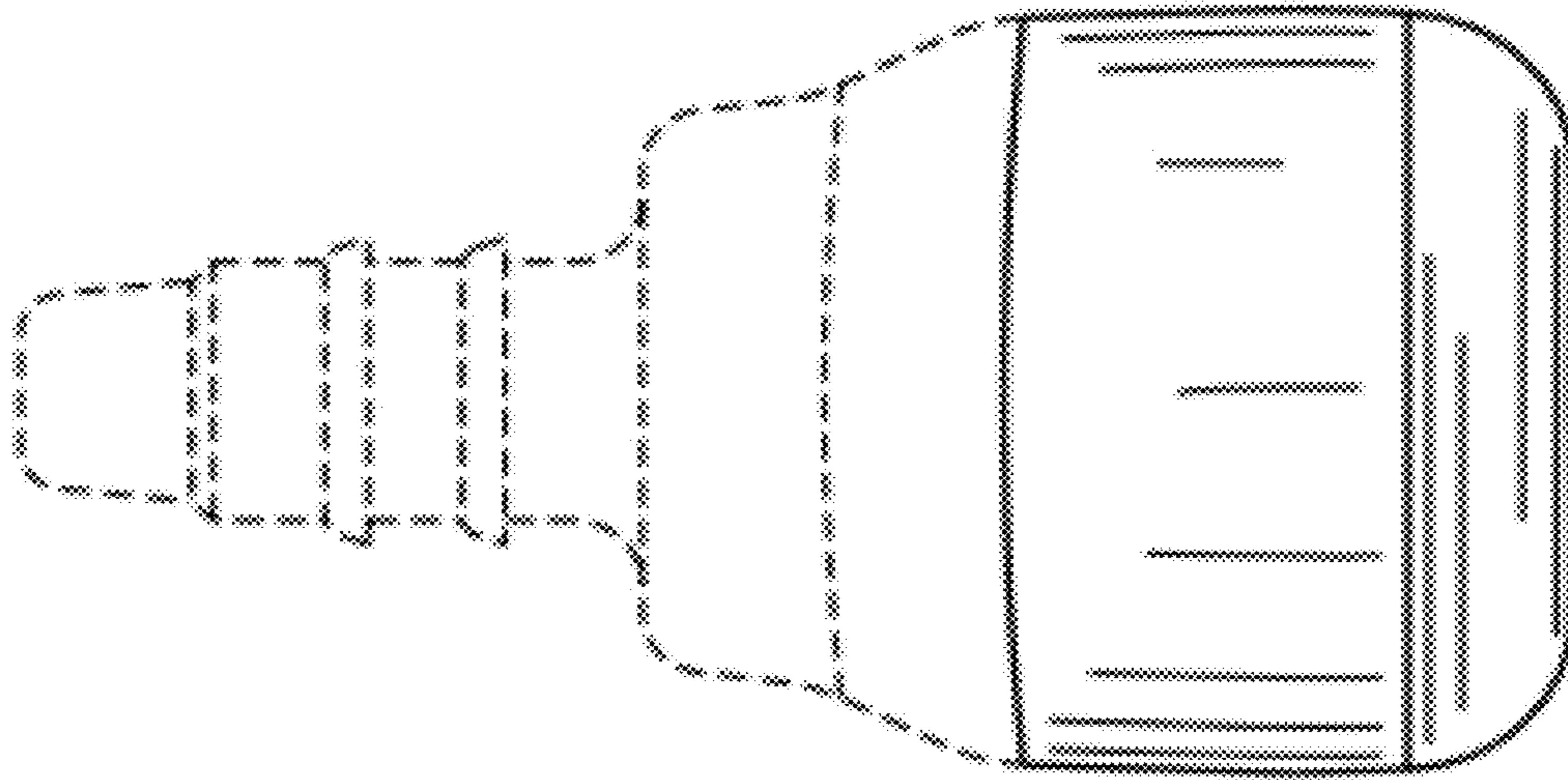


FIG. 5

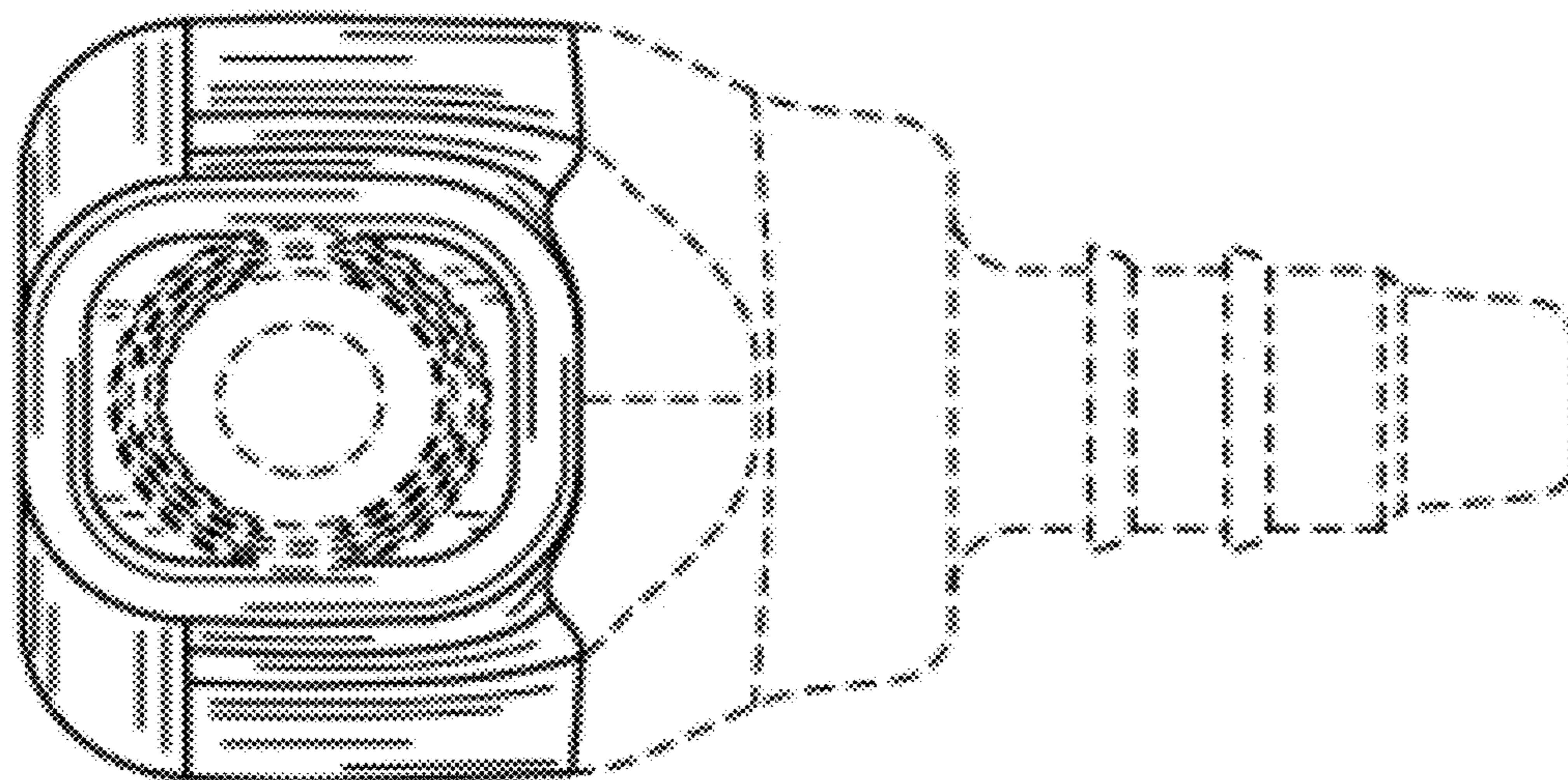


FIG. 6