

US00D660289S

(12) **United States Design Patent**  
**Lee et al.**

(10) **Patent No.:** **US D660,289 S**

(45) **Date of Patent:** **\*\* \*May 22, 2012**

(54) **IN-EAR HEADPHONE**

(75) Inventors: **Noel Lee**, Las Vegas, NV (US); **Dan Hua**, San Jose, CA (US); **Jacky Hsiung**, San Jose, CA (US)

(73) Assignee: **Monster Cable Products, Inc.**, Brisbane, CA (US)

(\*) Notice: This patent is subject to a terminal disclaimer.

(\*\*) Term: **14 Years**

(21) Appl. No.: **29/366,162**

(22) Filed: **Jul. 20, 2010**

(51) **LOC (9) Cl.** ..... **14-01**

(52) **U.S. Cl.** ..... **D14/223**

(58) **Field of Classification Search** ..... D14/205, D14/206, 223; 379/430, 431; 181/129, 130, 181/135; 128/864, 865, 866; 455/90.3, 575.1; 381/380, 381, 328, 338

See application file for complete search history.

(56) **References Cited**

**U.S. PATENT DOCUMENTS**

2,430,229	A *	11/1947	Kelsey	.....	381/338
4,133,984	A *	1/1979	Akiyama	.....	381/328
4,585,089	A *	4/1986	Topholm	.....	181/135
5,555,554	A *	9/1996	Hofer et al.	.....	381/371

5,832,098	A *	11/1998	Chen	.....	381/370
D580,414	S *	11/2008	Chapman	.....	D14/225
D594,441	S	6/2009	Lee et al.		
D598,901	S	8/2009	Lee et al.		
D599,781	S	9/2009	Lee et al.		
D600,675	S	9/2009	Lee et al.		
D637,182	S *	5/2011	Lee et al.	.....	D14/223
D642,163	S *	7/2011	Lee et al.	.....	D14/223
D643,416	S *	8/2011	Chong et al.	.....	D14/223
D643,833	S *	8/2011	Lee et al.	.....	D14/223

\* cited by examiner

*Primary Examiner* — Paula Greene

(74) *Attorney, Agent, or Firm* — LaRiviere, Grubman & Payne, LLP

(57) **CLAIM**

The ornamental design for an in-ear headphone, as shown and described.

**DESCRIPTION**

FIG. 1 is a perspective exploded view of an in-ear headphone showing our new design;

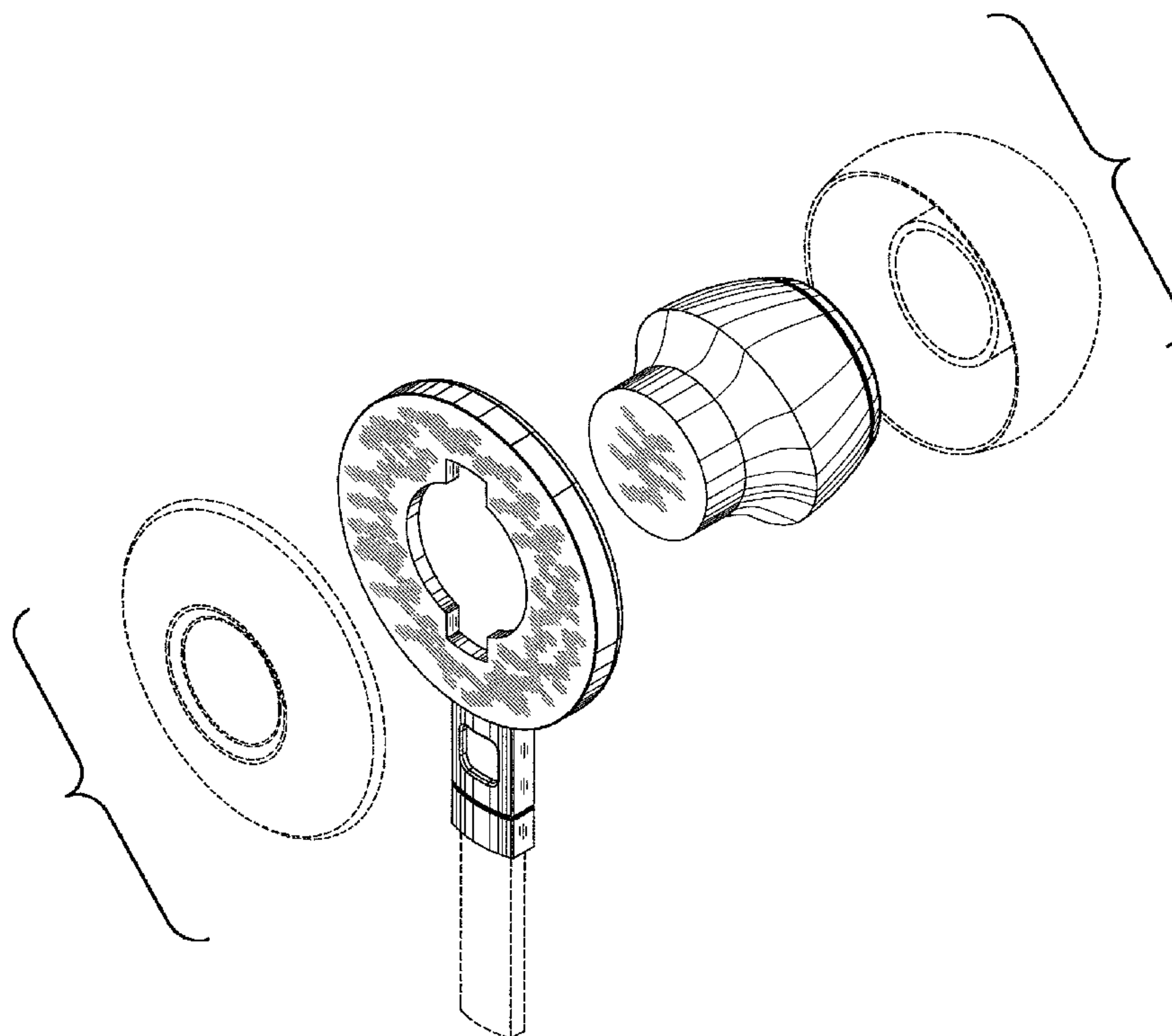
FIG. 2 is a side elevational view thereof; and,

FIG. 3 is an opposite side elevational view thereof.

The broken lines showing the environment in the Figures are for illustrative purposes only and form no part of the claimed design.

The rear portion of the in-ear headphone which is not visible in the figures, has been intentionally omitted and is not a part of the claimed design.

**1 Claim, 3 Drawing Sheets**



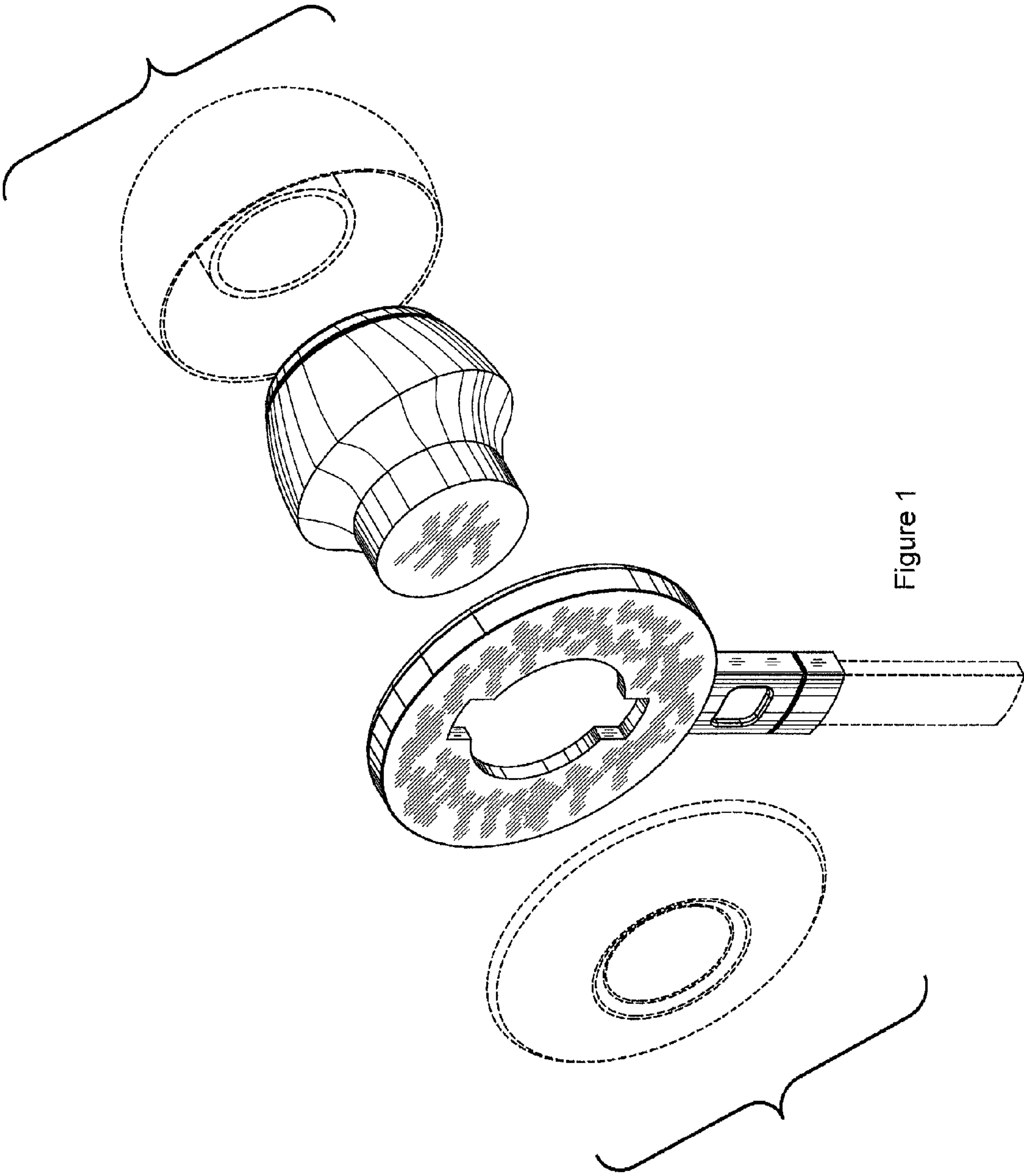


Figure 1

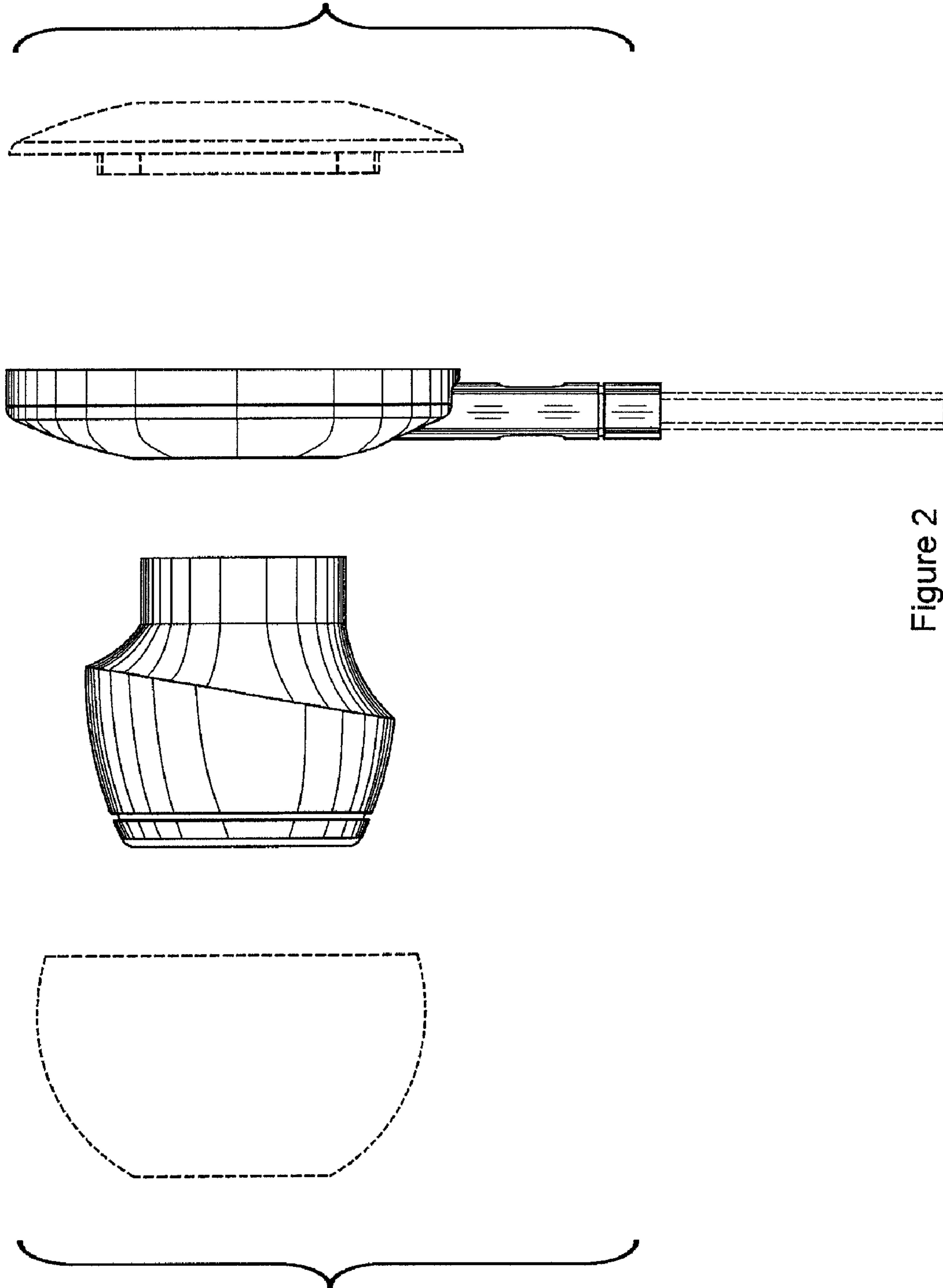


Figure 2

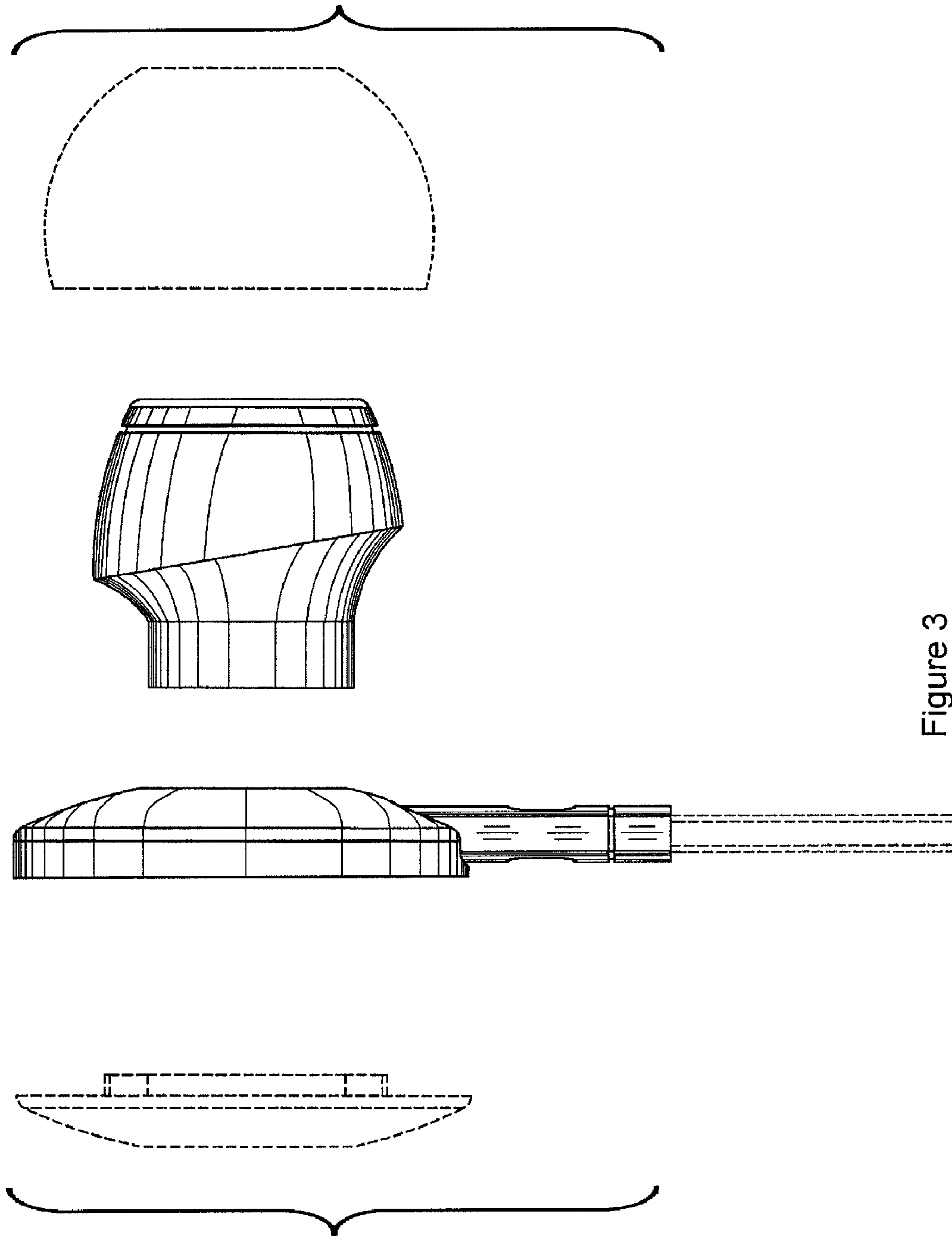


Figure 3