



US00D660284S

(12) **United States Design Patent**  
**Carbone**

(10) **Patent No.:** **US D660,284 S**

(45) **Date of Patent:** **\*\* May 22, 2012**

(54) **SPEAKER**

(75) Inventor: **Richard J. Carbone**, Sterling, MA (US)

(73) Assignee: **Bose Corporation**, Framingham, MA (US)

(\*\*) Term: **14 Years**

(21) Appl. No.: **29/389,775**

(22) Filed: **Apr. 15, 2011**

(51) **LOC (9) Cl.** ..... **14-01**

(52) **U.S. Cl.** ..... **D14/214**

(58) **Field of Classification Search** ..... D14/204,  
D14/210–216, 172; 181/143–144, 147–148,  
181/150–153, 157, 198–199; 381/300–303,  
381/306, 332–333, 336, 345, 361–364, 386–388  
See application file for complete search history.

(56) **References Cited**

U.S. PATENT DOCUMENTS

D472,542 S \* 4/2003 Oikawa ..... D14/172  
D547,748 S \* 7/2007 Tsuge ..... D14/211

D549,690 S \* 8/2007 Kimura ..... D14/211  
D573,133 S \* 7/2008 Milks et al. .... D14/214  
D589,929 S \* 4/2009 Okamura et al. .... D14/211

\* cited by examiner

*Primary Examiner* — Nanda Bondade

(74) *Attorney, Agent, or Firm* — Bose Corporation

(57) **CLAIM**

The ornamental design for a speaker, substantially as shown and described.

**DESCRIPTION**

FIG. 1 is a perspective view of a speaker as seen from the front, top, and side;

FIG. 2 is a top view thereof;

FIG. 3 is a bottom view thereof;

FIG. 4 is a front view thereof;

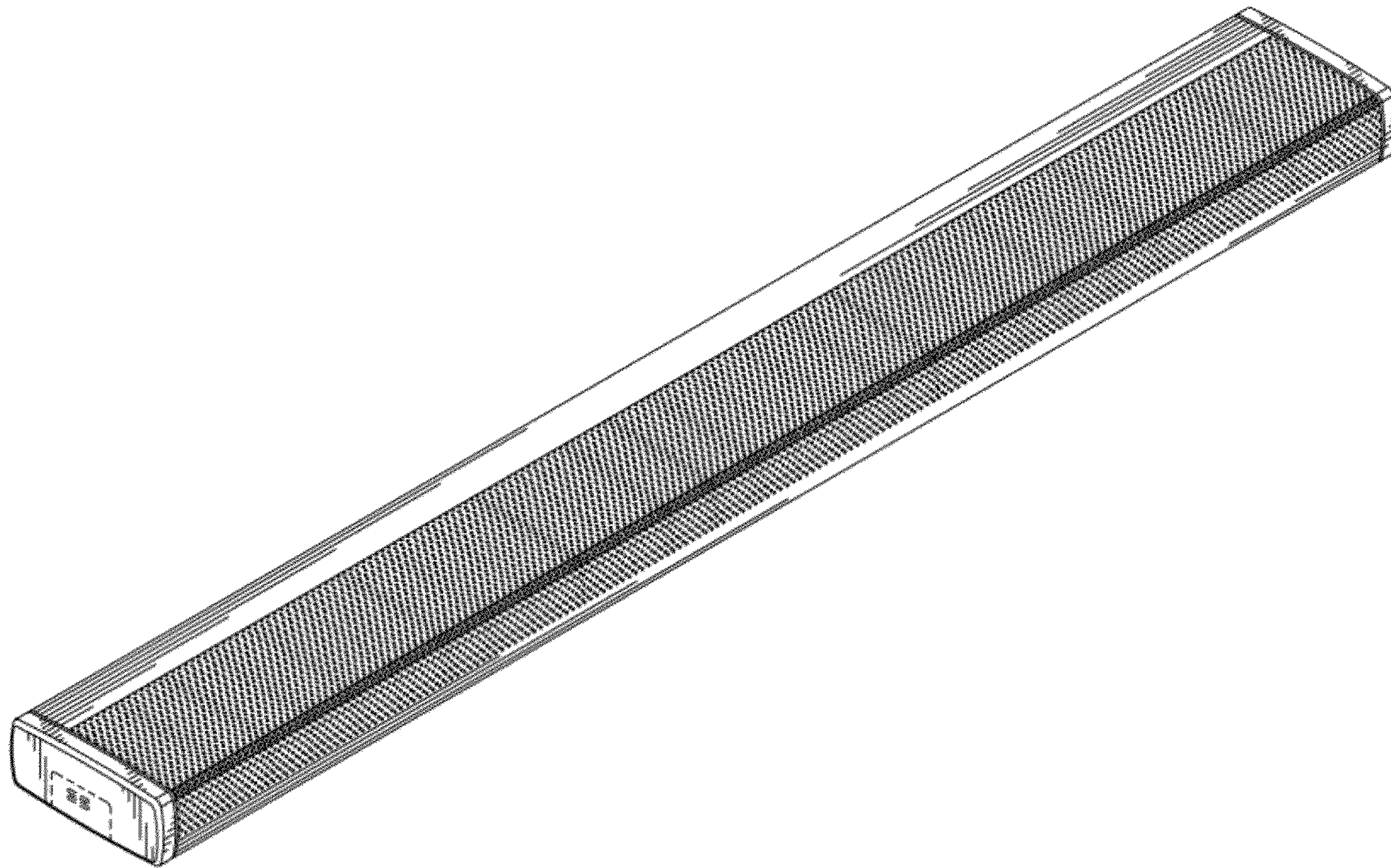
FIG. 5 is a back view thereof;

FIG. 6 is a side view thereof; and,

FIG. 7 is an opposite side view thereof.

The dotted line portions of the drawings represent environmental structure only and form no part of the claimed design.

**1 Claim, 3 Drawing Sheets**



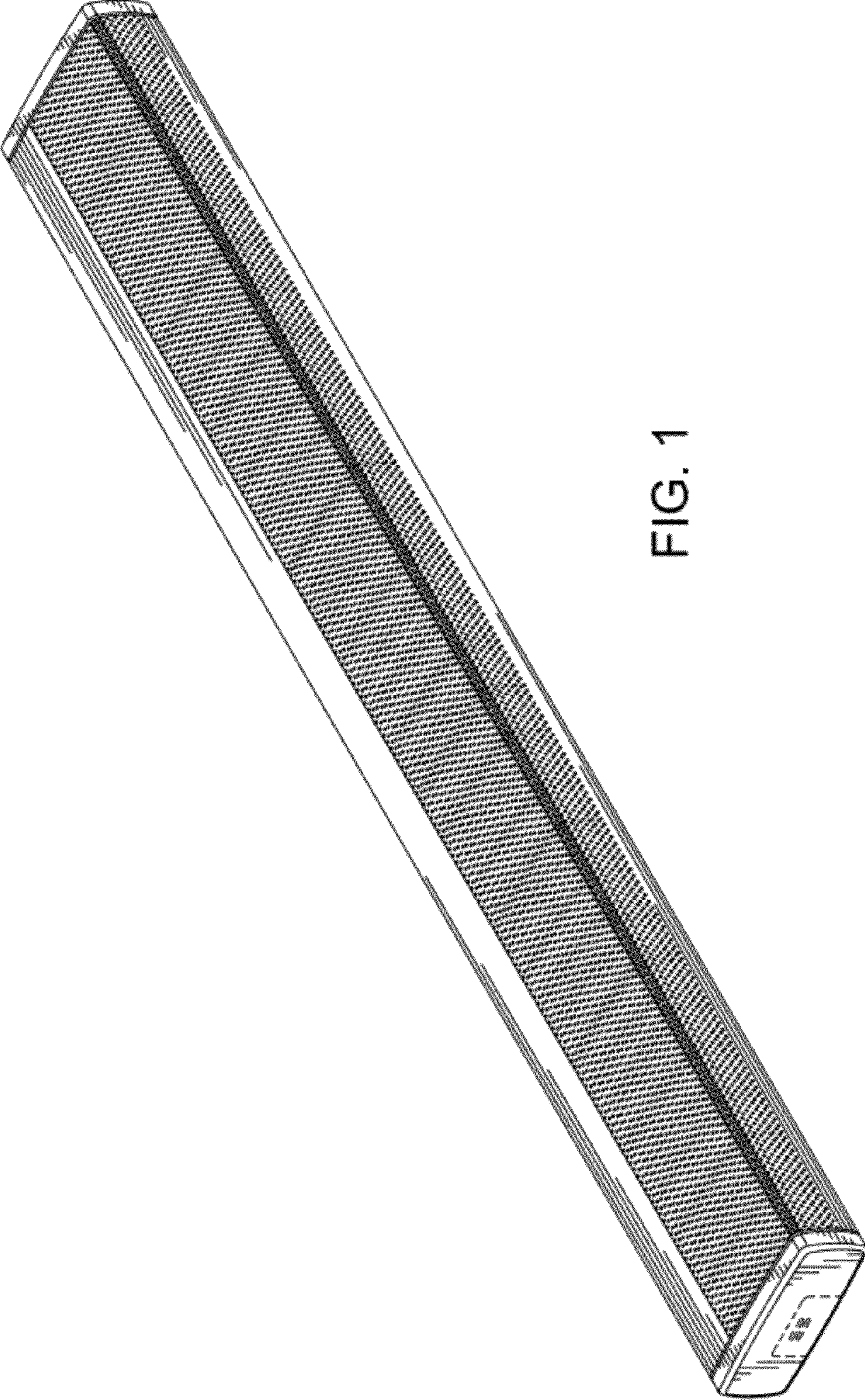


FIG. 1

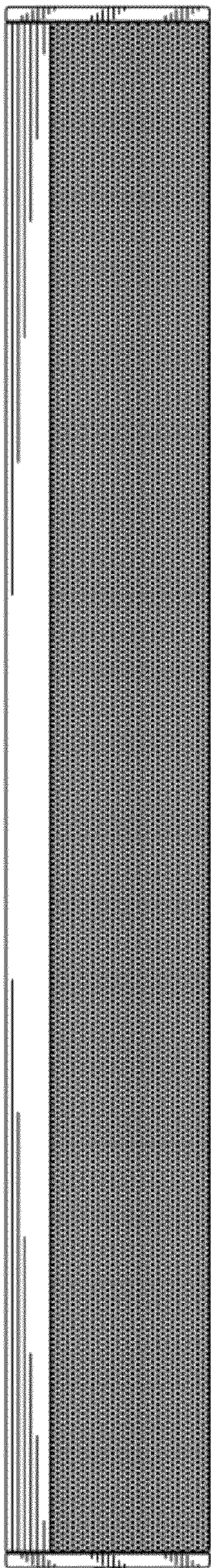


FIG. 2

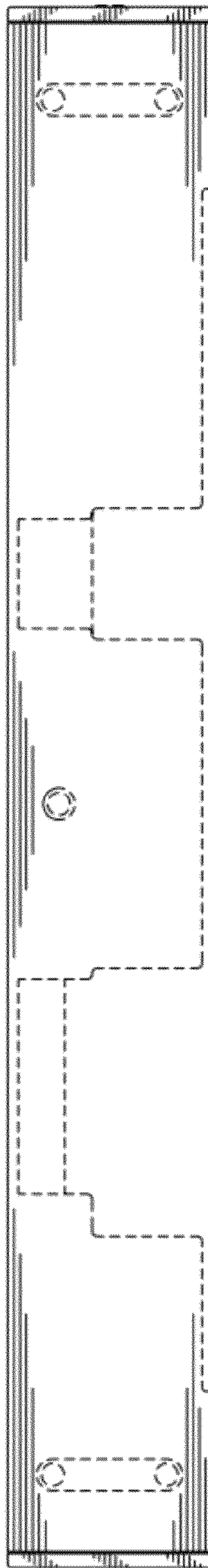


FIG. 3

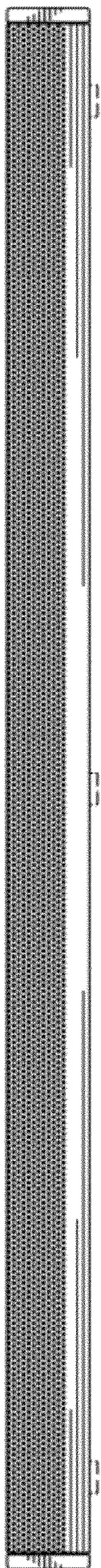


FIG. 4

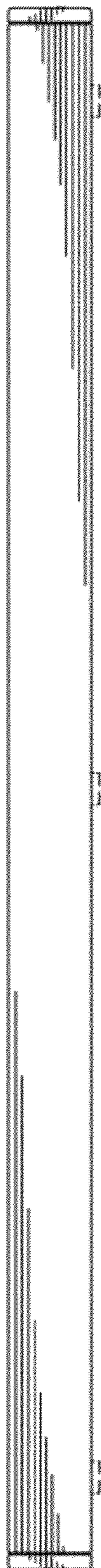


FIG. 5

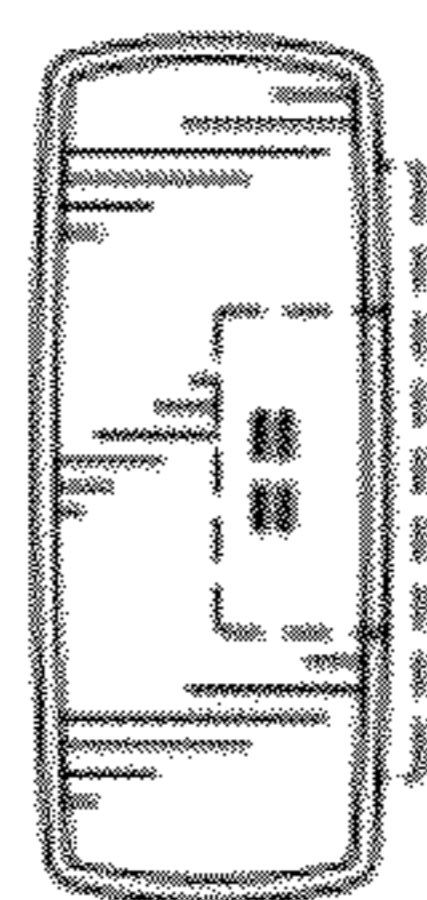


FIG. 6

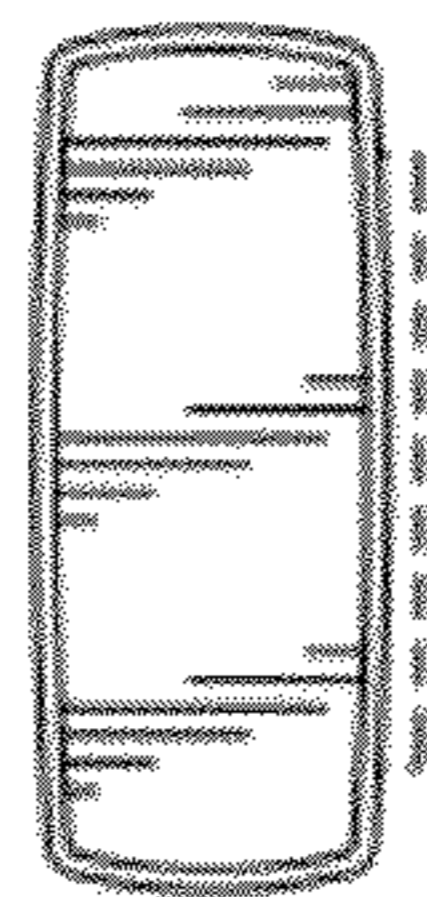


FIG. 7