

US00D660282S

(12) **United States Design Patent**
Amano

(10) **Patent No.:** **US D660,282 S**

(45) **Date of Patent:** **** May 22, 2012**

(54) **DIGITAL VOICE RECORDER**

(75) Inventor: **Hirotooshi Amano**, Tachikawa (JP)

(73) Assignee: **Olympus Imaging Corp**, Tokyo (JP)

(**) Term: **14 Years**

(21) Appl. No.: **29/392,491**

(22) Filed: **May 23, 2011**

(30) **Foreign Application Priority Data**

Mar. 28, 2011 (JP) 2011-006954
Mar. 28, 2011 (JP) 2011-006955

(51) **LOC (9) Cl.** **14-01**

(52) **U.S. Cl.** **D14/154**

(58) **Field of Classification Search** D14/154-155,
D14/157-158, 167-168, 217, 469; 360/99.02,
360/99.07, 137; 348/734

See application file for complete search history.

(56) **References Cited**

U.S. PATENT DOCUMENTS

D378,589 S * 3/1997 Ellermeier D14/154
D385,274 S * 10/1997 Shimobayashi D14/165
D393,262 S * 4/1998 Shimatsu et al. D14/154
D393,465 S * 4/1998 Chan D14/165

D450,309 S * 11/2001 Ishii et al. D14/167
D576,999 S * 9/2008 Tofflinger D14/168

* cited by examiner

Primary Examiner — Nanda Bondade

(74) *Attorney, Agent, or Firm* — Holtz, Holtz, Goodman & Chick, PC

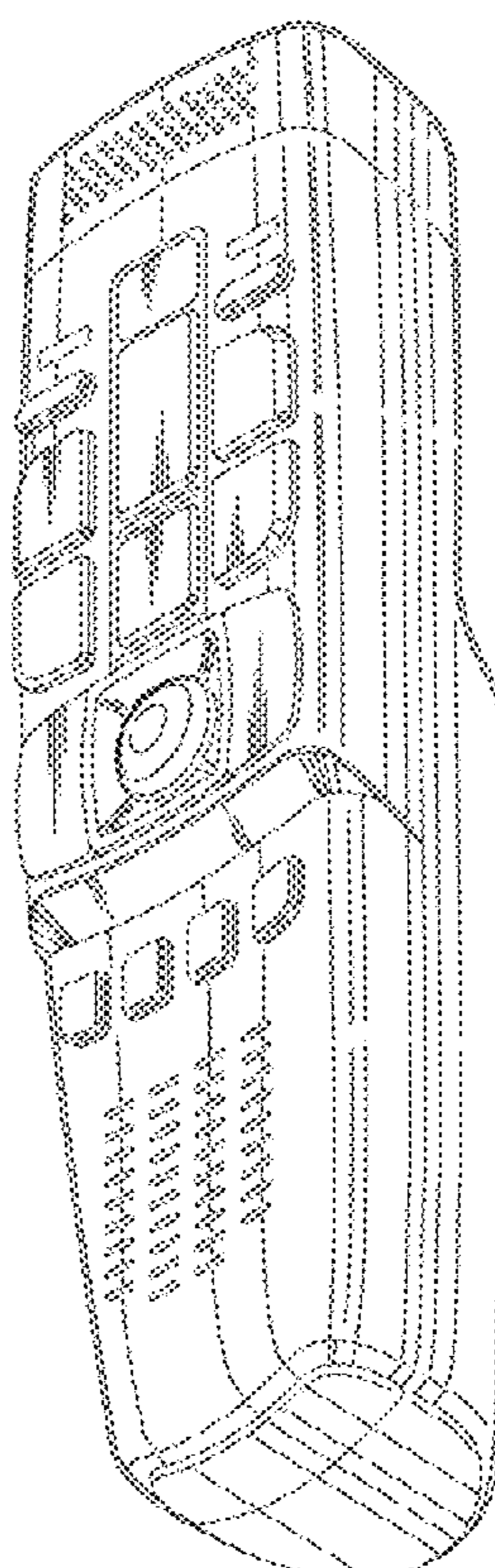
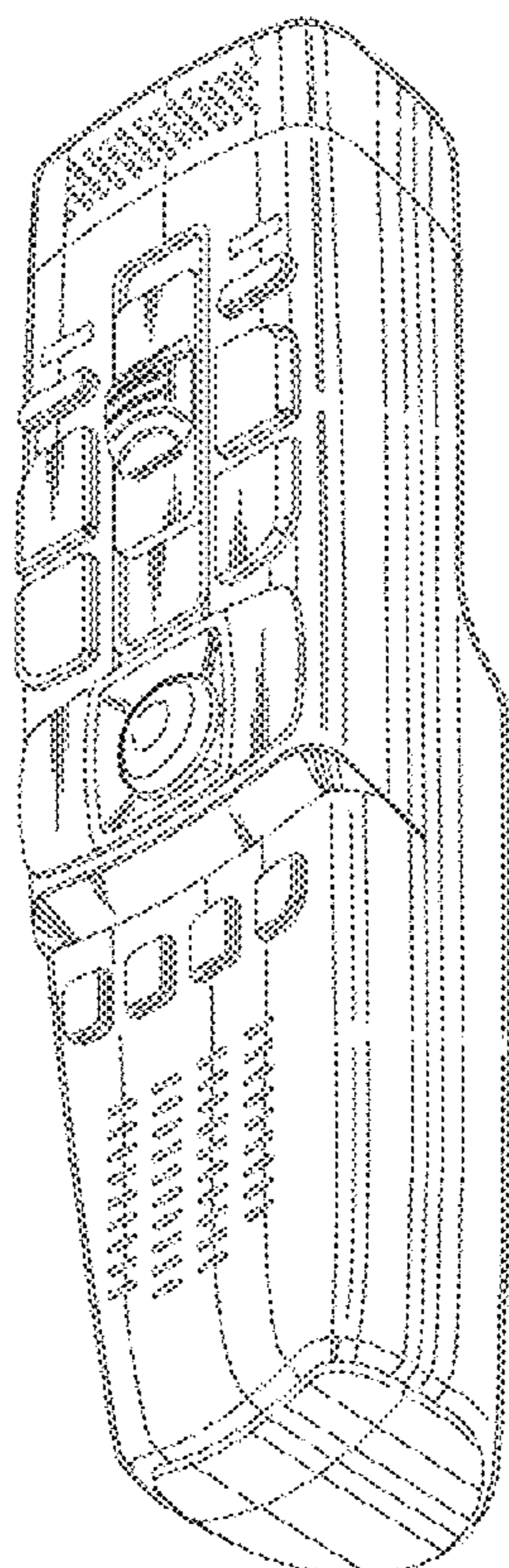
(57) **CLAIM**

The ornamental design for a digital voice recorder, as shown and described.

DESCRIPTION

FIG. 1 is a front, bottom and right side perspective view of a digital voice recorder, showing my new design;
FIG. 2 is a rear, top and right side perspective view thereof;
FIG. 3 is a front elevational view thereof;
FIG. 4 is a rear elevational view thereof; and
FIG. 5 is a top plan view thereof;
FIG. 6 is a bottom plan view thereof;
FIG. 7 is a right side elevational view thereof; the opposite side being a mirror image thereof;
FIG. 8 is a front, bottom and right side perspective view of a second embodiment of the digital voice recorder
FIG. 9 is a rear, top and right side perspective view thereof;
FIG. 10 is a front elevational view thereof;
FIG. 11 is a rear elevational view thereof; and
FIG. 12 is a top plan view thereof;
FIG. 13 is a bottom plan view thereof; and,
FIG. 14 is a right side elevational view thereof; the opposite side being a mirror image thereof.

1 Claim, 8 Drawing Sheets



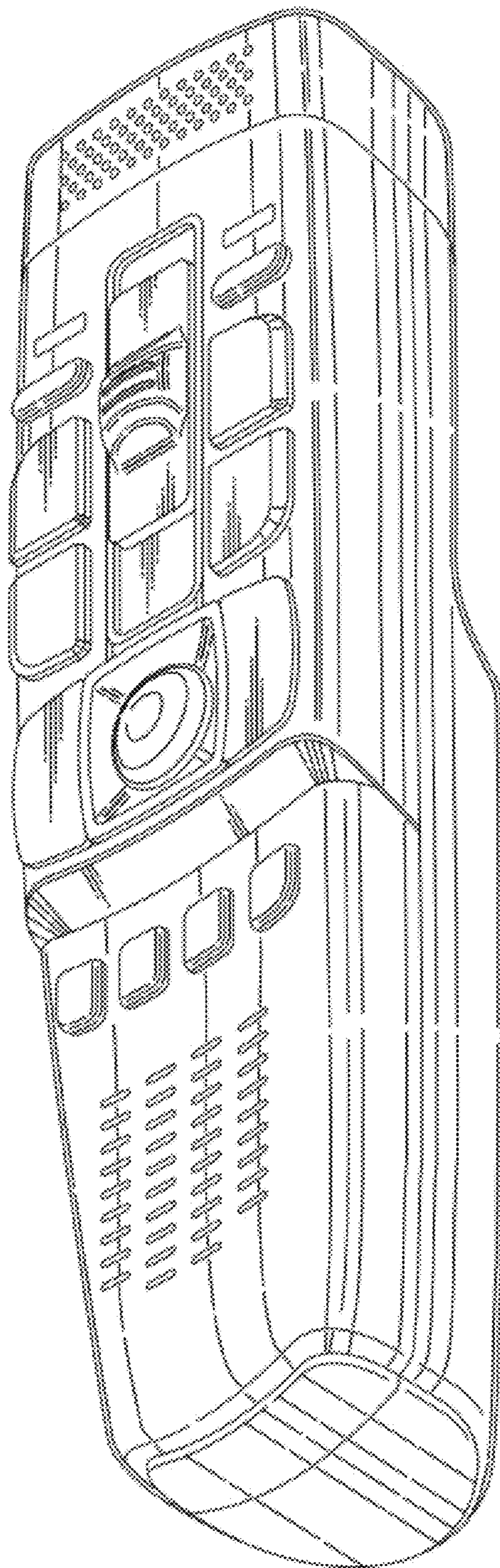


FIG. 1

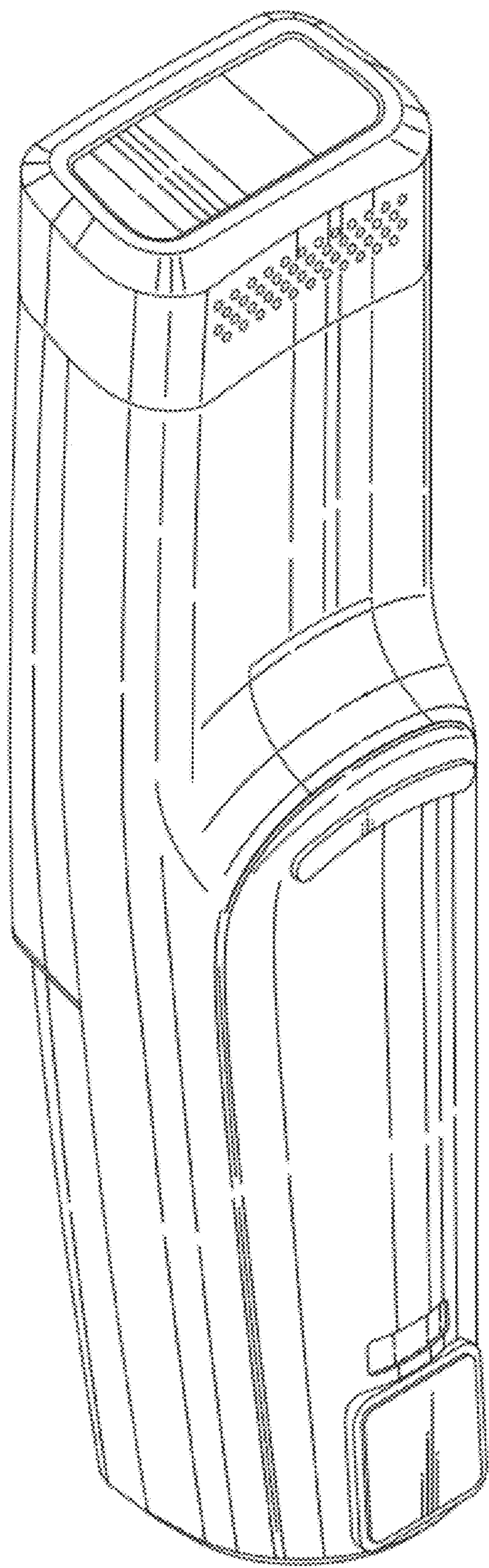


FIG. 2

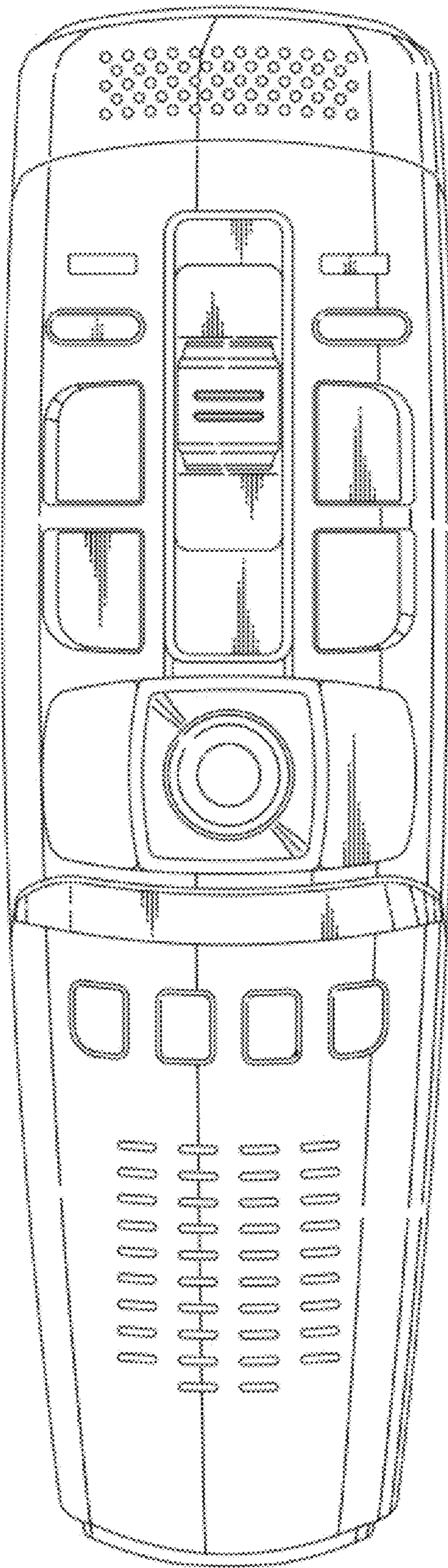


FIG. 3

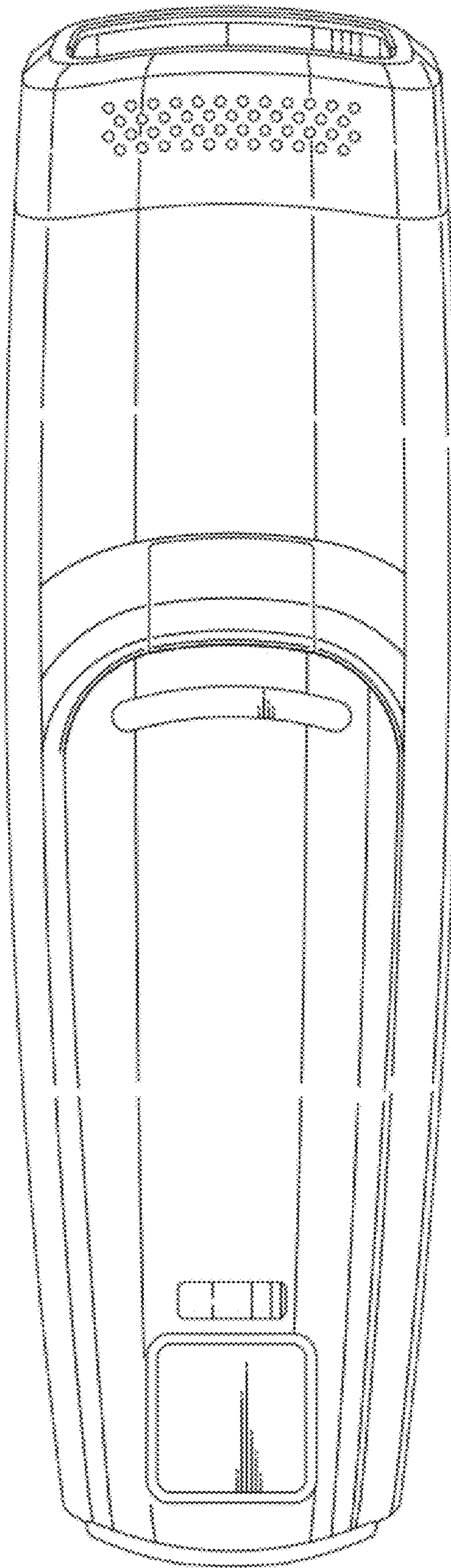


FIG. 4

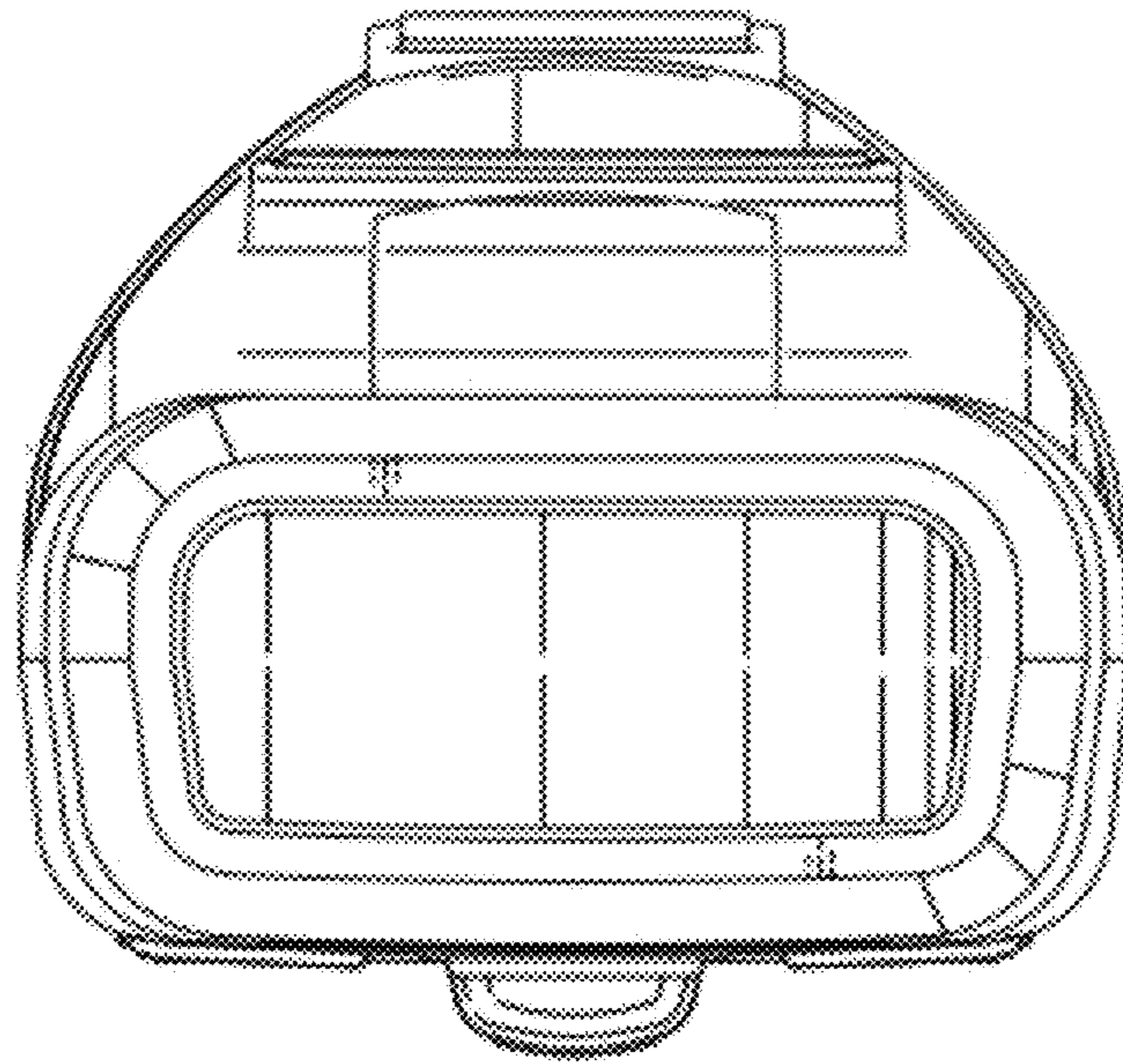


FIG. 5

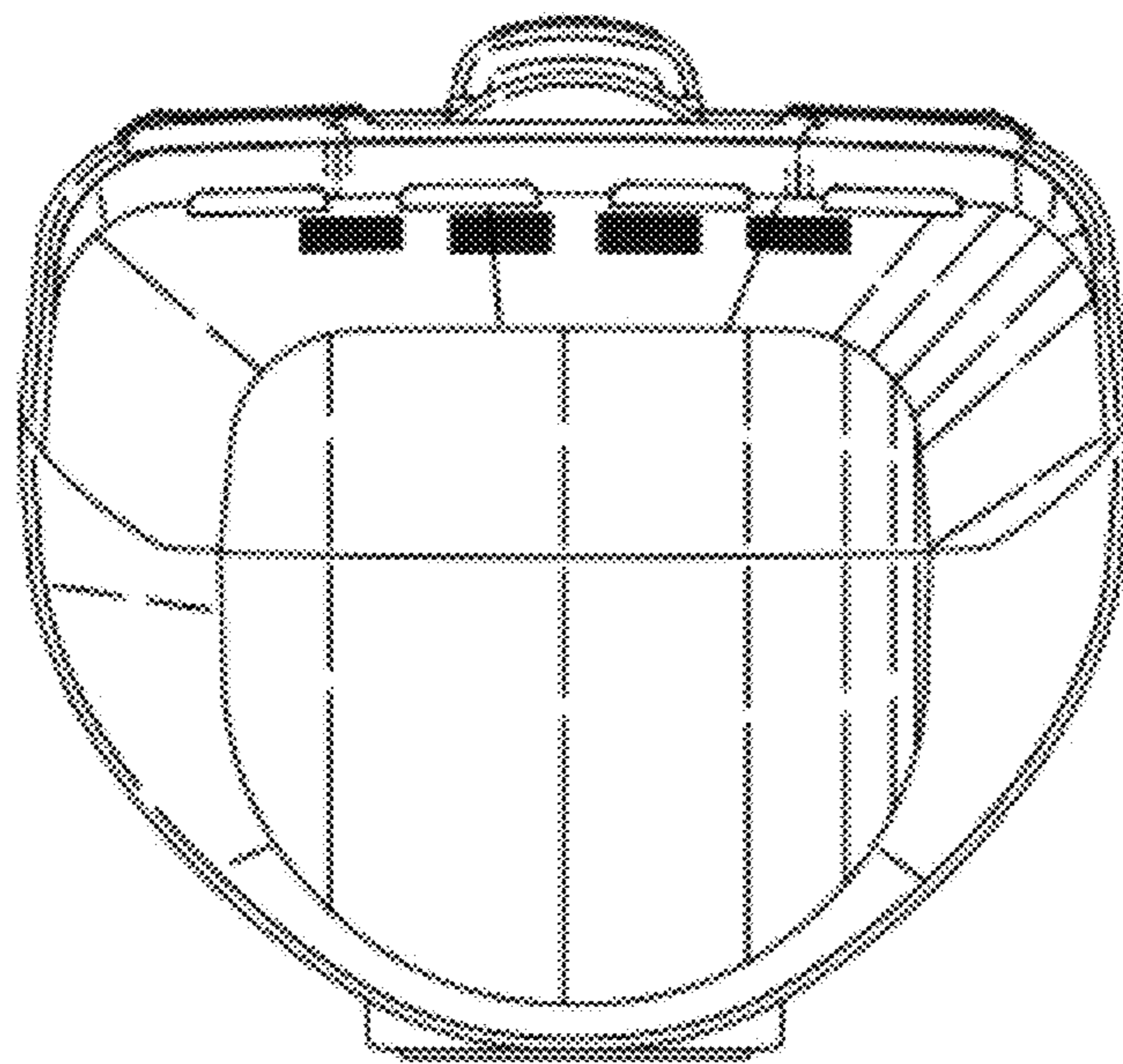


FIG. 6

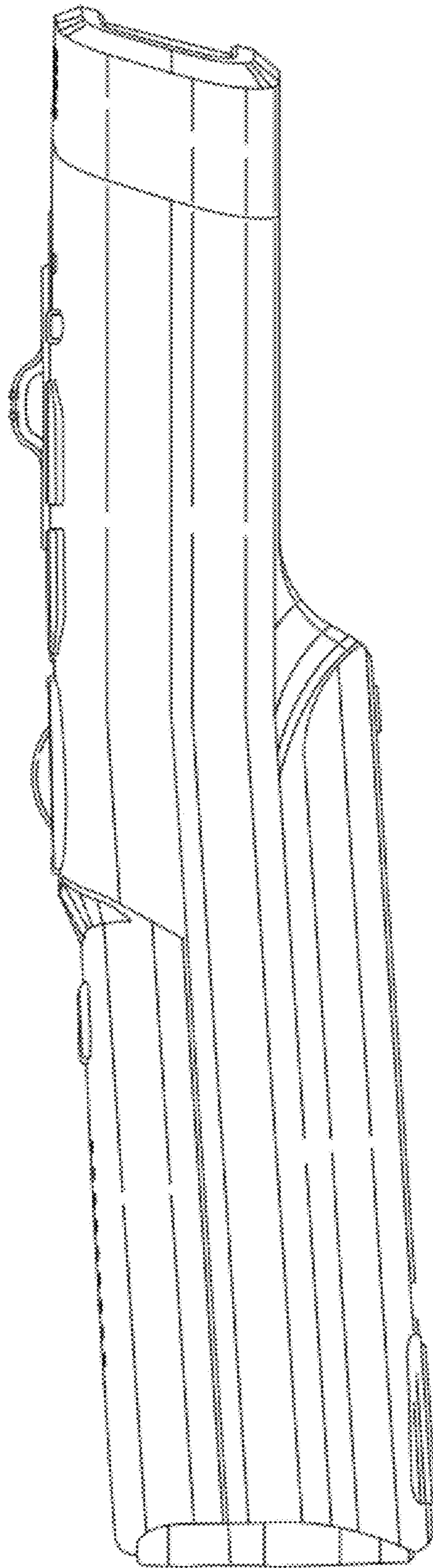


FIG. 7

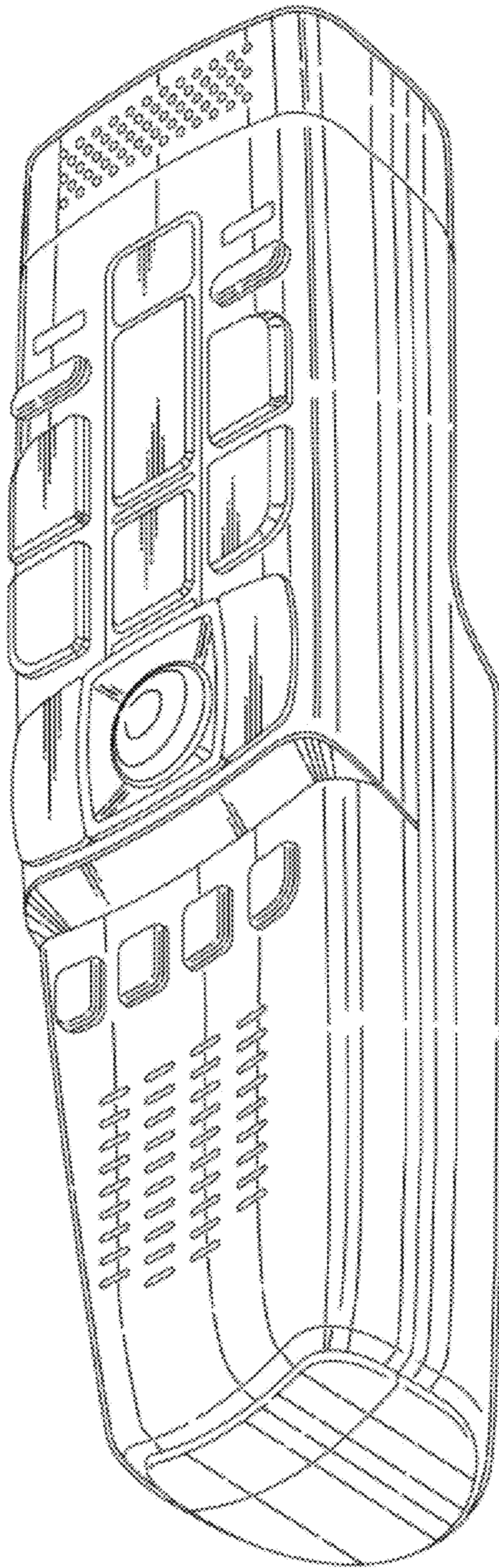


FIG. 8

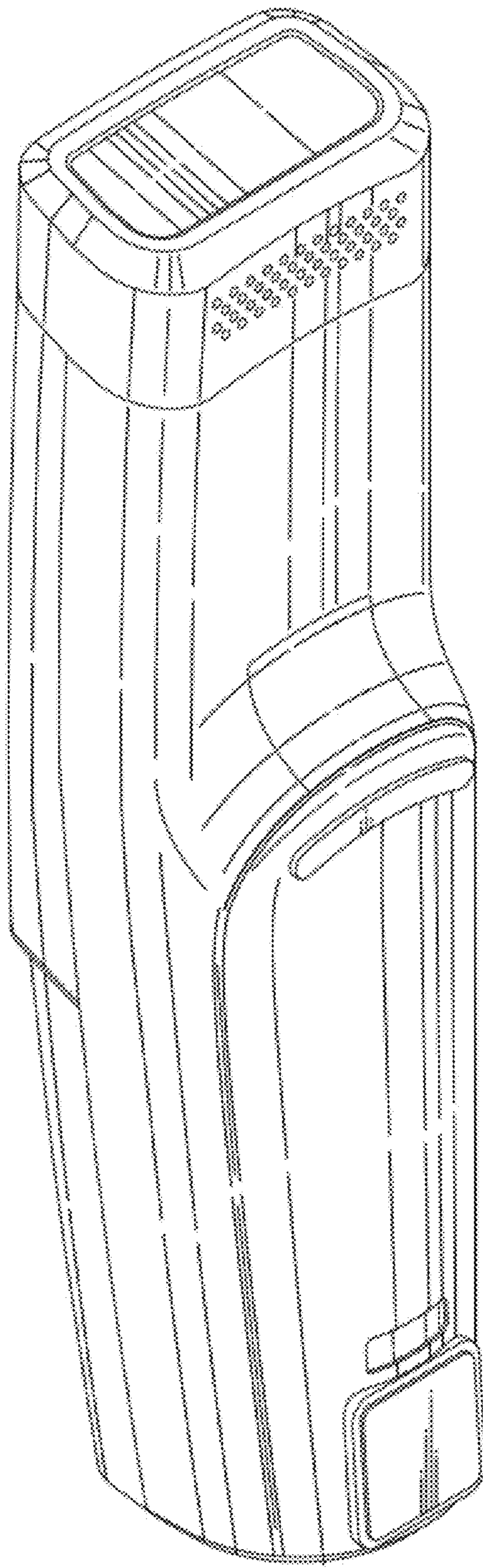


FIG. 9

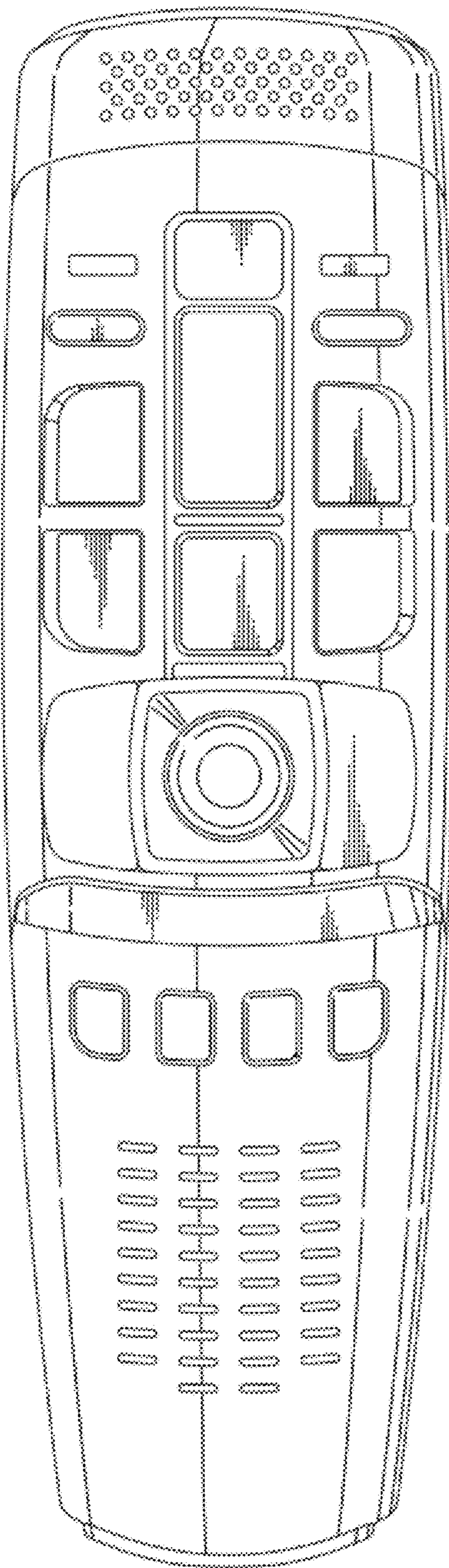


FIG. 10

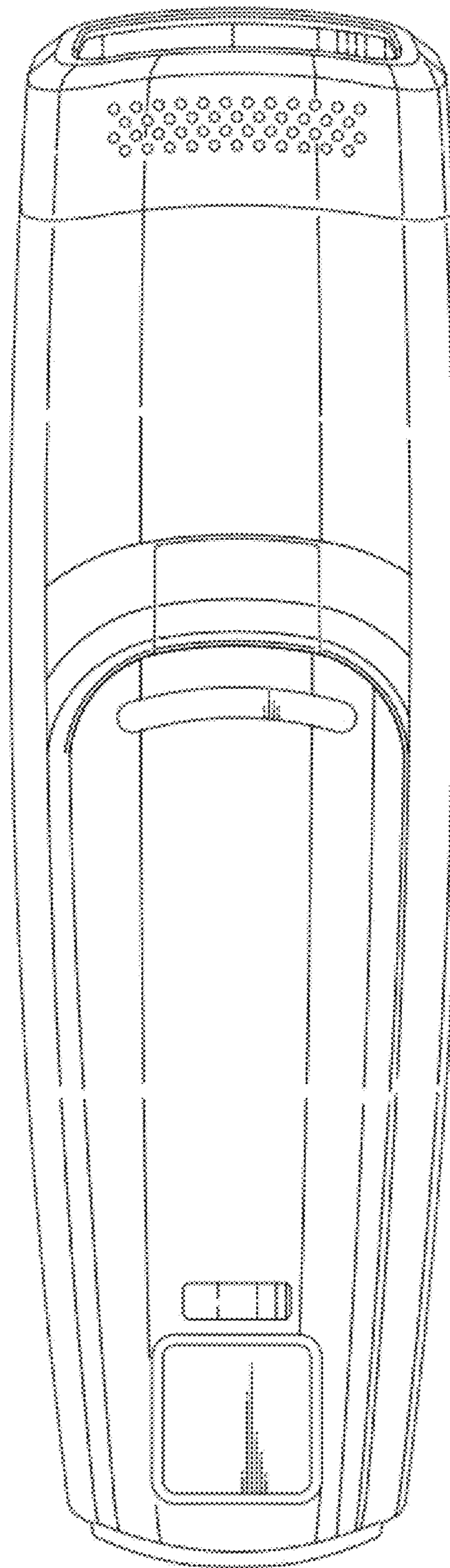


FIG. 11

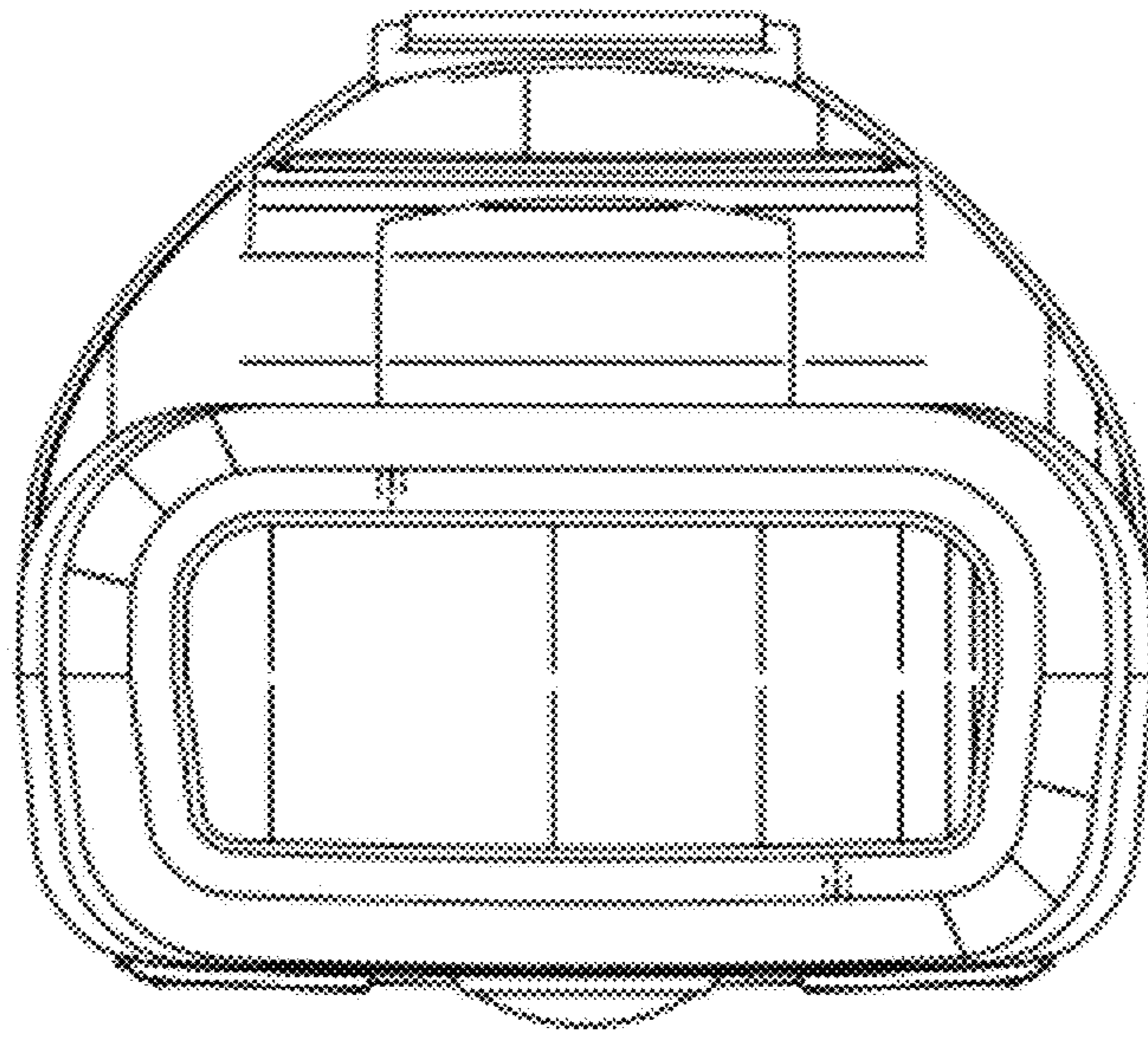


FIG. 12

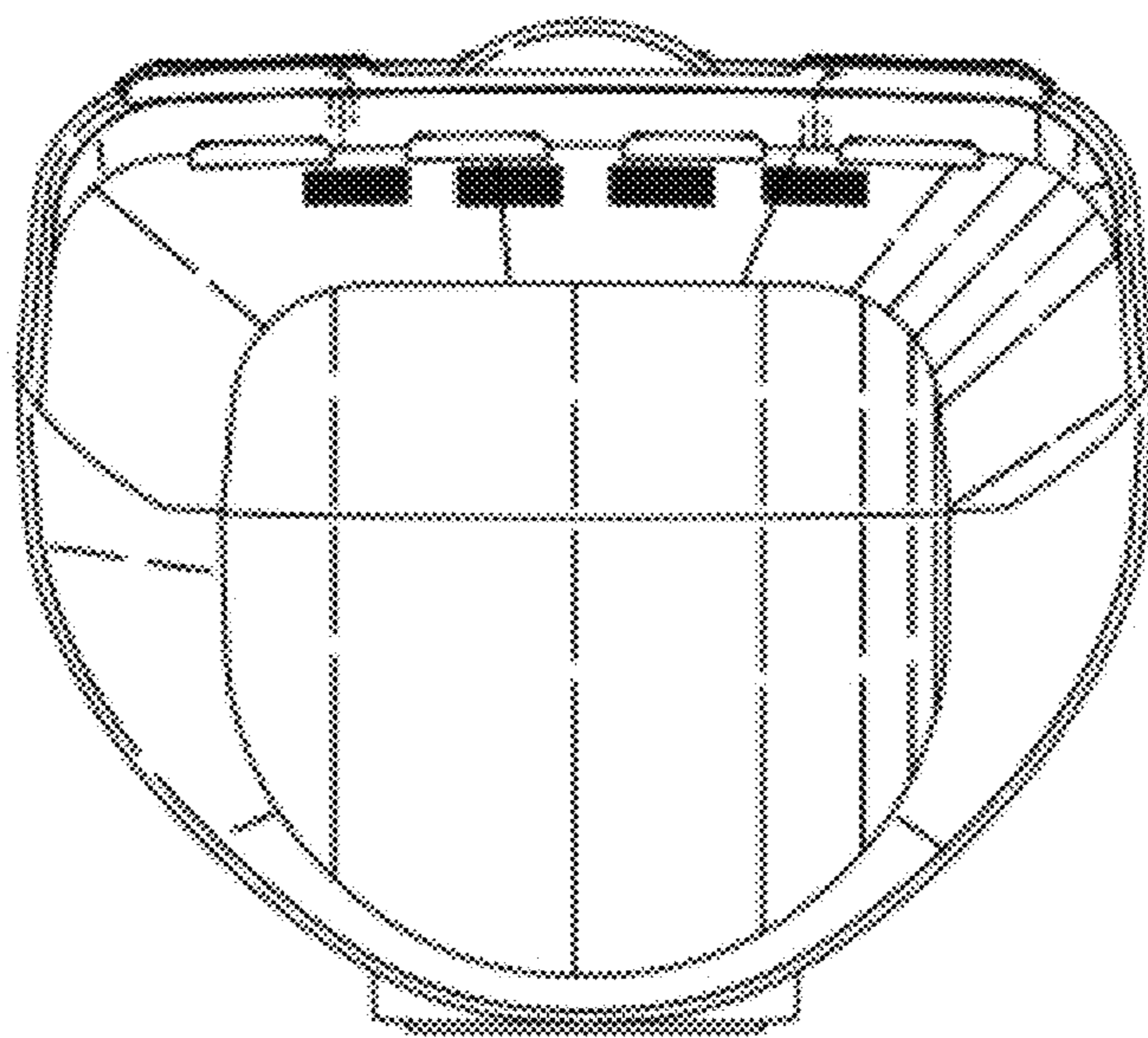


FIG. 13

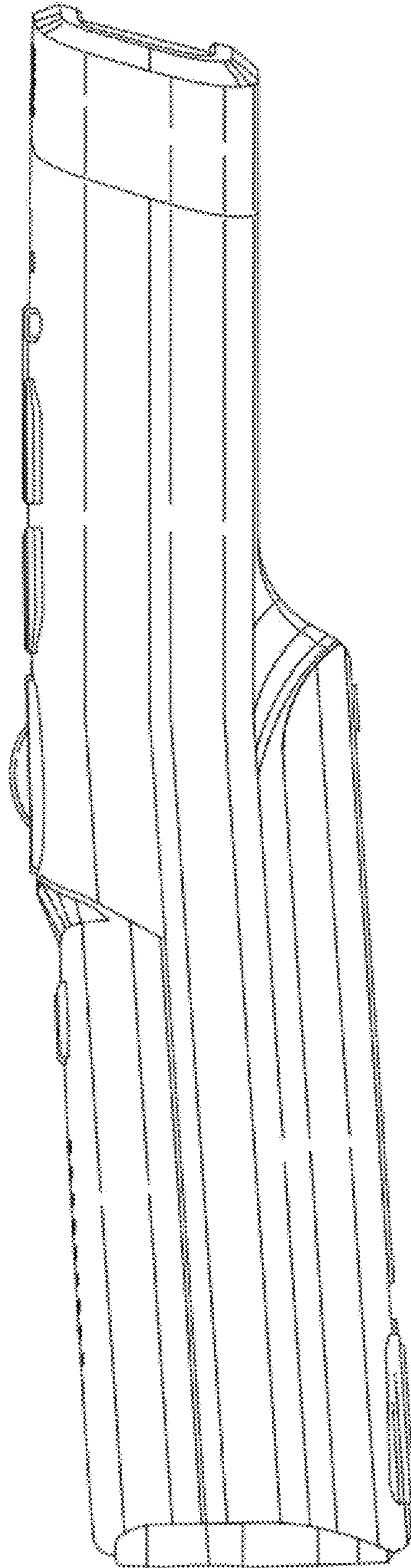


FIG. 14