

US00D660281S

(12) **United States Design Patent**  
**Tattari**

(10) **Patent No.:** **US D660,281 S**

(45) **Date of Patent:** **\*\* May 22, 2012**

(54) **HANDSET**

(75) Inventor: **Jouko Tapio Tattari, Helsinki (FI)**

(73) Assignee: **Nokia Corporation, Espoo (FI)**

(\*\*) Term: **14 Years**

(21) Appl. No.: **29/404,354**

(22) Filed: **Oct. 19, 2011**

(51) **LOC (9) Cl.** ..... **14-03**

(52) **U.S. Cl.** ..... **D14/138 AA**

(58) **Field of Classification Search** ..... D14/138 AA,  
D14/138 R, 138 C, 496, 346, 203.1, 203.4,  
D14/203.7, 147, 148, 218, 426, 248; D21/517;  
455/575.1, 556.2; 379/433.01, 433.04; D13/168  
See application file for complete search history.

(56) **References Cited**

**U.S. PATENT DOCUMENTS**

4,354,063	A *	10/1982	Kuka	379/433.04
5,491,507	A *	2/1996	Umezawa et al.	348/14.02
6,795,715	B1 *	9/2004	Kubo et al.	455/556.1
D497,160	S *	10/2004	Nagao et al.	D14/346
D508,902	S *	8/2005	Lee et al.	D14/138 AA
D515,536	S *	2/2006	Lee et al.	D14/138 AA
D523,837	S *	6/2006	Lee	D14/138 AA
D536,325	S *	2/2007	Kim et al.	D14/138 AA
D546,837	S *	7/2007	Yeo	D14/496
D550,662	S *	9/2007	Kim et al.	D14/248
D560,229	S *	1/2008	Yagi	D14/496
D584,712	S *	1/2009	Okkonen	D14/138 AA
D598,413	S *	8/2009	Chen	D14/138 AA
D598,885	S *	8/2009	Kangasmaa et al.	D14/138 AA
D605,620	S *	12/2009	Asmussen	D14/138 AA
D608,324	S	1/2010	He	
D608,333	S	1/2010	Wang	
D609,227	S	2/2010	Rouger et al.	
D609,702	S	2/2010	He	
D613,706	S	4/2010	He	
D613,730	S	4/2010	Rouger et al.	
D614,599	S *	4/2010	Kim et al.	D14/138 AA
D615,524	S *	5/2010	He	D14/138 AA
D628,178	S	11/2010	Cai	

D628,185	S *	11/2010	Ng	D14/138 AA
D630,609	S	1/2011	Yang	
D635,968	S	4/2011	Cai	
D636,363	S *	4/2011	Stillerman et al.	D14/138 AA
D639,262	S *	6/2011	Harrison	D14/138 AA
D639,285	S	6/2011	Harrison	
D646,663	S *	10/2011	Seo et al.	D14/138 AA
2002/0160724	A1 *	10/2002	Arai et al.	455/90
2005/0153668	A1 *	7/2005	Lee	455/90.3
2005/0277388	A1 *	12/2005	Kim et al.	455/90.3
2008/0015934	A1 *	1/2008	Kim et al.	705/14

**OTHER PUBLICATIONS**

Nokia C2-01 telephone, announced Nov. 2010, [online], [site visited Mar. 23, 2012]. Available from Internet, <URL: <http://www.gsmarena.com>>.\*

Nokia C1-01 telephone, announced Jun. 2010, [online], [site visited Mar. 23, 2012]. Available from Internet, <URL: <http://www.gsmarena.com>>.\*

(Continued)

*Primary Examiner* — Jeffrey D Asch

(74) *Attorney, Agent, or Firm* — Banner & Witcoff, Ltd.

(57) **CLAIM**

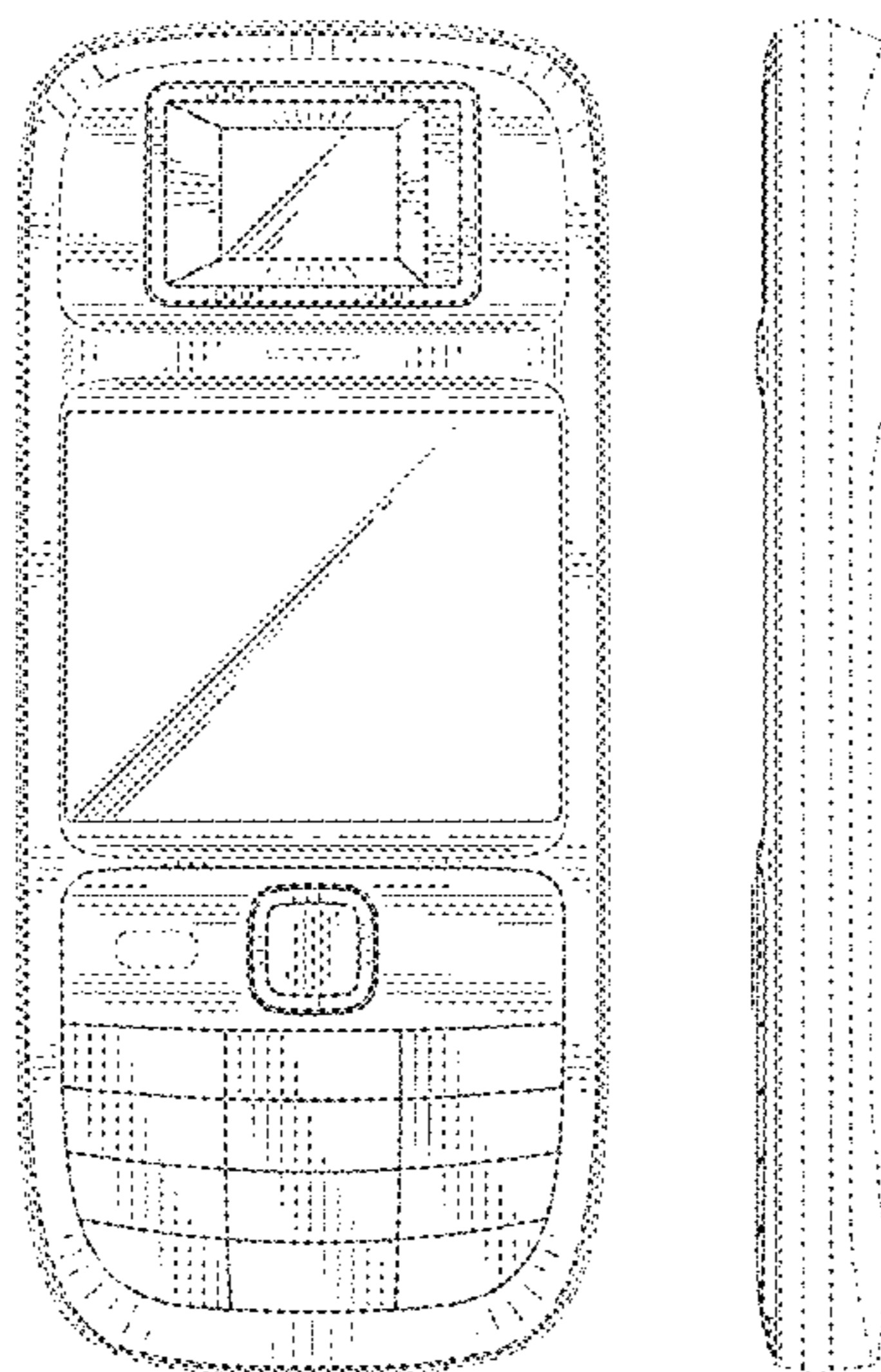
The ornamental design for a handset, as shown and described.

**DESCRIPTION**

FIG. 1 is a perspective view of a handset showing my new design;  
FIG. 2 is a front view thereof;  
FIG. 3 is a left side view thereof;  
FIG. 4 is a right side view thereof;  
FIG. 5 is a top view thereof;  
FIG. 6 is a bottom view thereof; and,  
FIG. 7 is a rear view thereof.

The broken-line showing of the environmental structure of the handset is for illustrative purposes only and forms no part of the claimed design. The broken lines within the claimed area and the unshaded regions therein are for illustrative purposes only and form no part of the claimed design.

**1 Claim, 5 Drawing Sheets**



OTHER PUBLICATIONS

Nokia 2690 telephone, announced Nov. 2009, [online], [site visited Mar. 23, 2012]. Available from Internet, <URL: <http://www.gsmarena.com>>.\*

Nokia 6700 classic telephone, announced Jan. 2009, [online], [site visited Mar. 23, 2012]. Available from Internet, <URL: <http://www.gsmarena.com>>.\*

Micromax GC360 telephone, announced 2010, [online], [site visited Mar. 23, 2012]. Available from Internet, <URL: <http://www.gsmarena.com>>.\*

Celkon C 404 telephone, announced 2011, [online], [site visited Mar. 23, 2012]. Available from Internet, <URL: <http://www.gsmarena.com>>.\*

\* cited by examiner

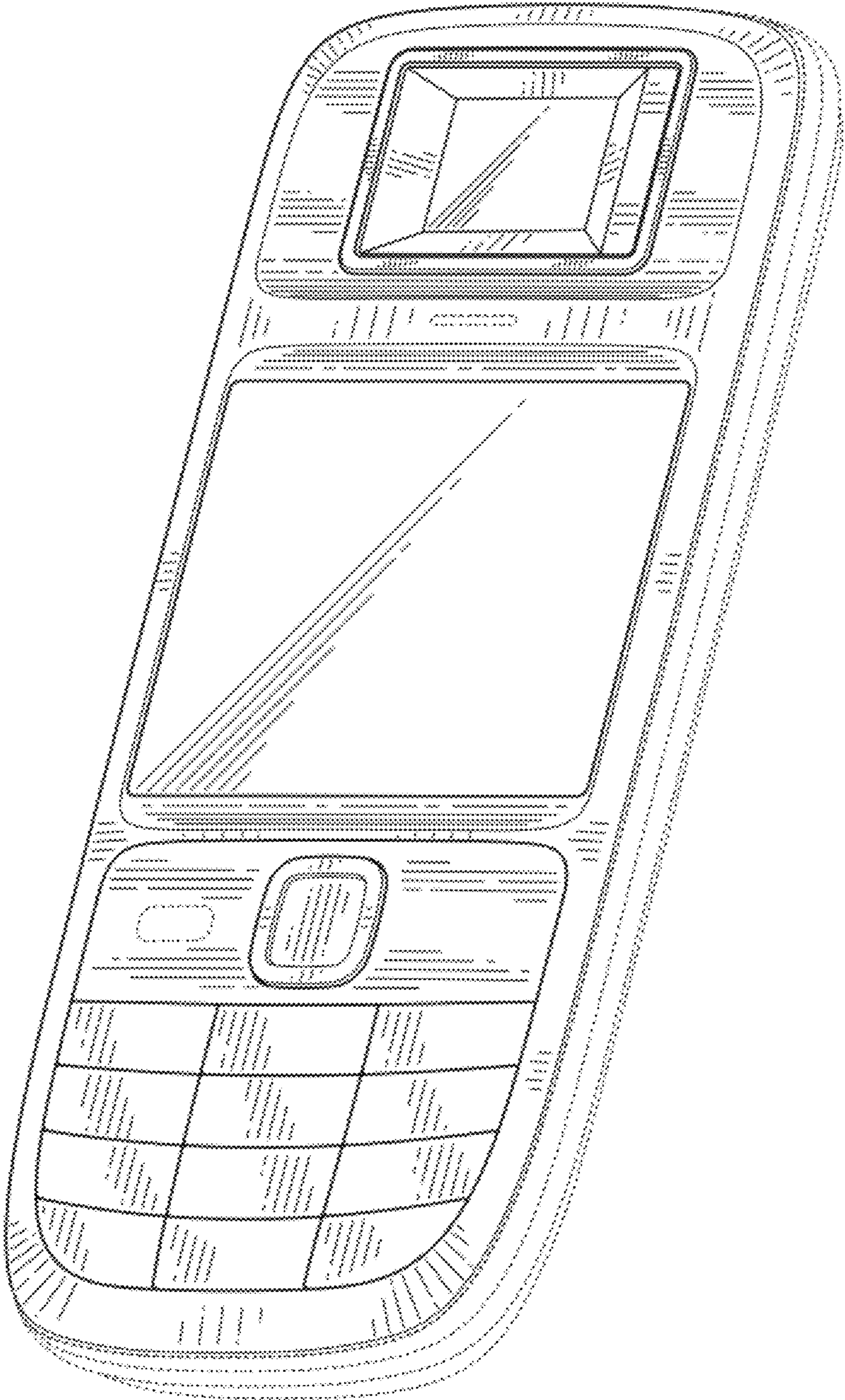


FIG. 1

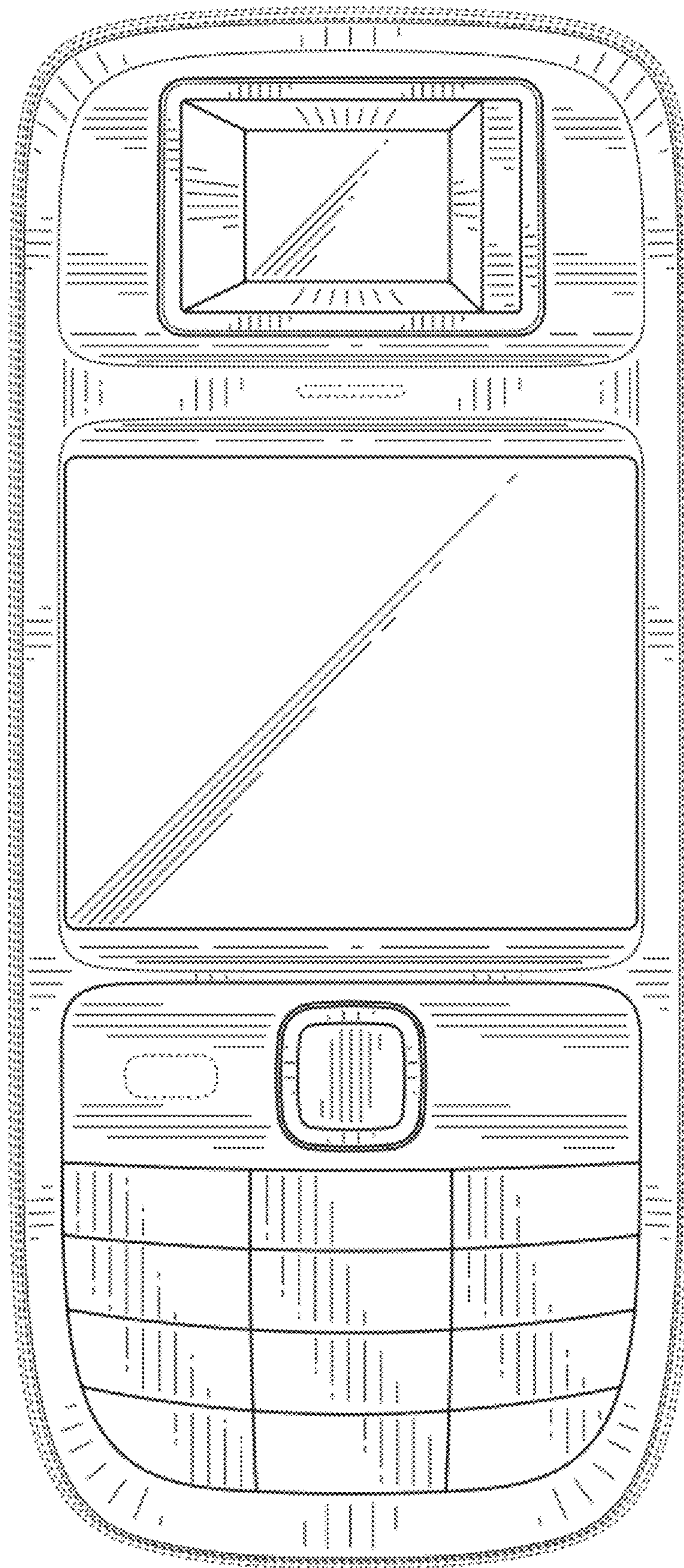


FIG. 2

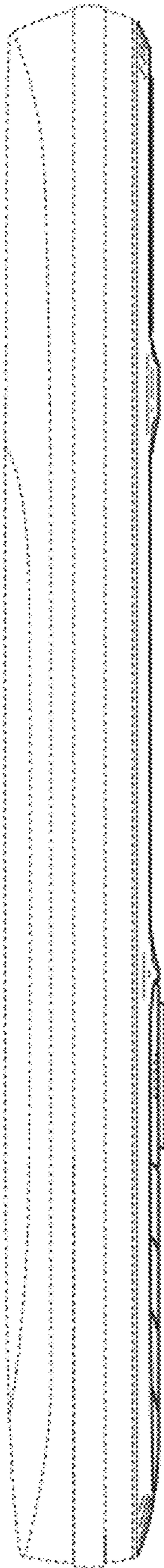


FIG. 3

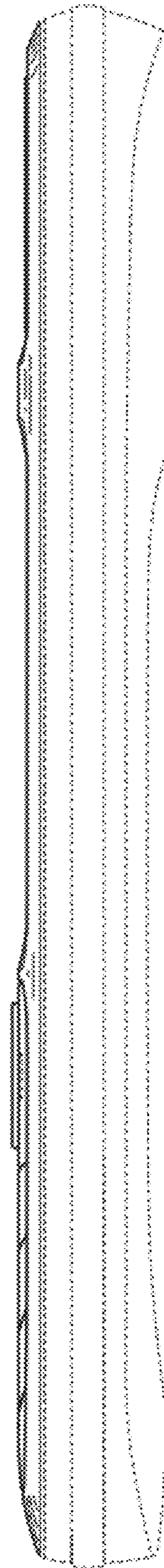


FIG. 4

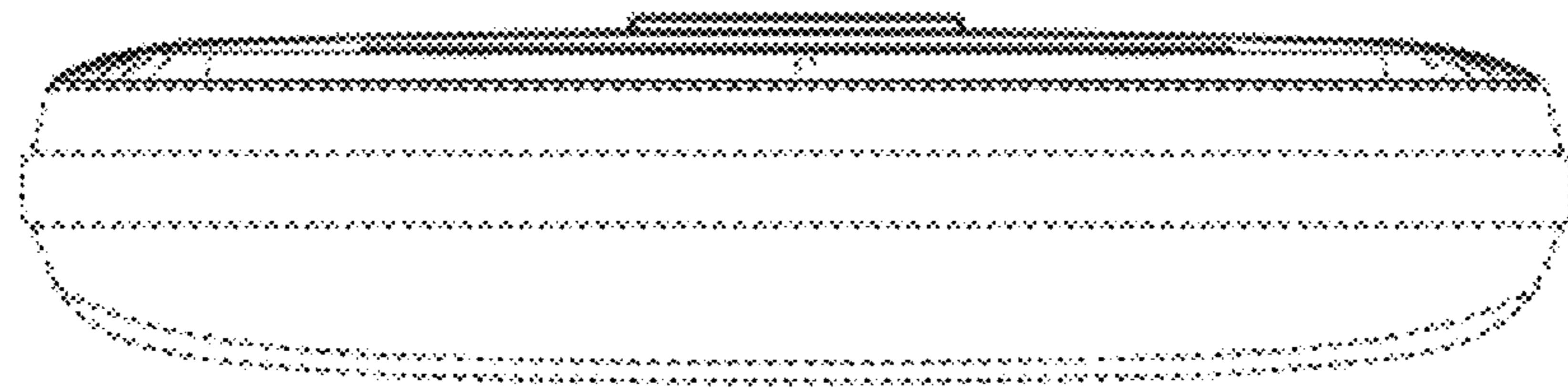


FIG. 5

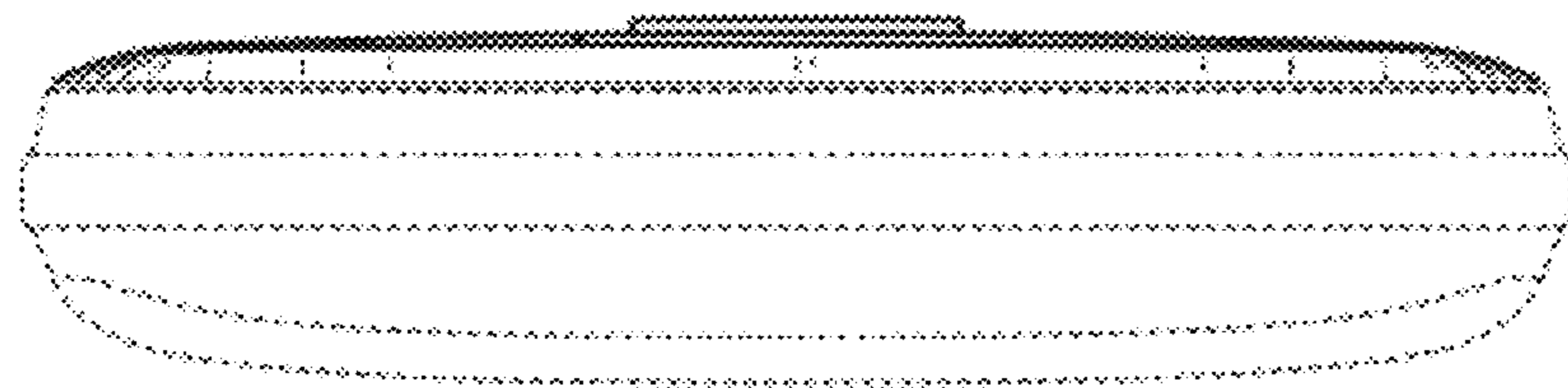


FIG. 6

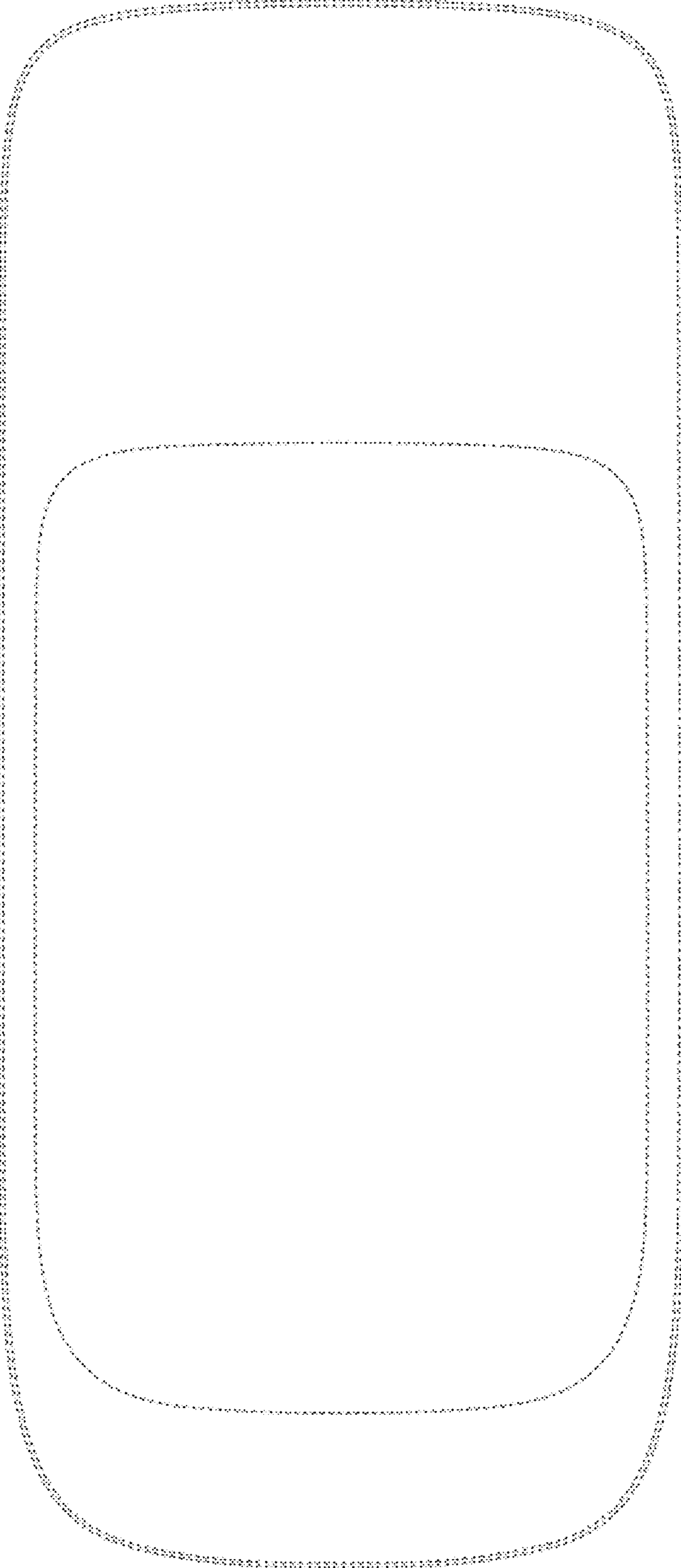


FIG. 7