

US00D660262S

(12) **United States Design Patent**
Cho et al.

(10) **Patent No.:** **US D660,262 S**
(45) **Date of Patent:** **** May 22, 2012**

- (54) **PORTABLE DVD PLAYERS**
- (75) Inventors: **Yoonyoung Cho**, Seoul (KR); **Sungsoo Jun**, Seoul (KR)
- (73) Assignee: **LG Electronics Inc.**, Seoul (KR)
- (**) Term: **14 Years**
- (21) Appl. No.: **29/386,248**
- (22) Filed: **Feb. 25, 2011**
- (51) **LOC (9) Cl.** **14-03**
- (52) **U.S. Cl.** **D14/132**
- (58) **Field of Classification Search** D14/125-132,
D14/357-358, 496, 188, 242; D13/184;
348/10, 460, 706, 731; 340/825.03; 455/6.1,
455/6.2; 312/223.1, 7.2
See application file for complete search history.

- D511,755 S * 11/2005 Peng D14/132
- D519,476 S * 4/2006 Peng D14/129
- D568,271 S * 5/2008 Lee D14/132
- D568,846 S * 5/2008 Lee D14/132
- D576,581 S * 9/2008 Son et al. D14/502
- D597,548 S * 8/2009 Yang et al. D14/441

* cited by examiner

Primary Examiner — Raphael Barkai
Assistant Examiner — Randall Gholson
(74) *Attorney, Agent, or Firm* — Birch, Stewart, Kolasch & Birch, LLP

(57) **CLAIM**
The ornamental design for a portable DVD players, as shown and described.

DESCRIPTION

FIG. 1 is a top, front, perspective view of a portable DVD players showing our new design;
FIG. 2 is a front view thereof;
FIG. 3 is a rear view thereof;
FIG. 4 is a left side view thereof;
FIG. 5 is a right side view thereof;
FIG. 6 is a top view thereof;
FIG. 7 is a bottom view thereof; and,
FIG. 8 is a reference view showing a portable DVD players in use state.

1 Claim, 4 Drawing Sheets

(56) **References Cited**

U.S. PATENT DOCUMENTS

- D479,890 S * 9/2003 Jacobs D26/40
- D501,453 S * 2/2005 Peng D14/129
- D501,656 S * 2/2005 Peng D14/129
- D501,833 S * 2/2005 Peng D14/129
- D501,834 S * 2/2005 Peng D14/129
- D501,835 S * 2/2005 Peng D14/129
- D510,330 S * 10/2005 Peng D14/132

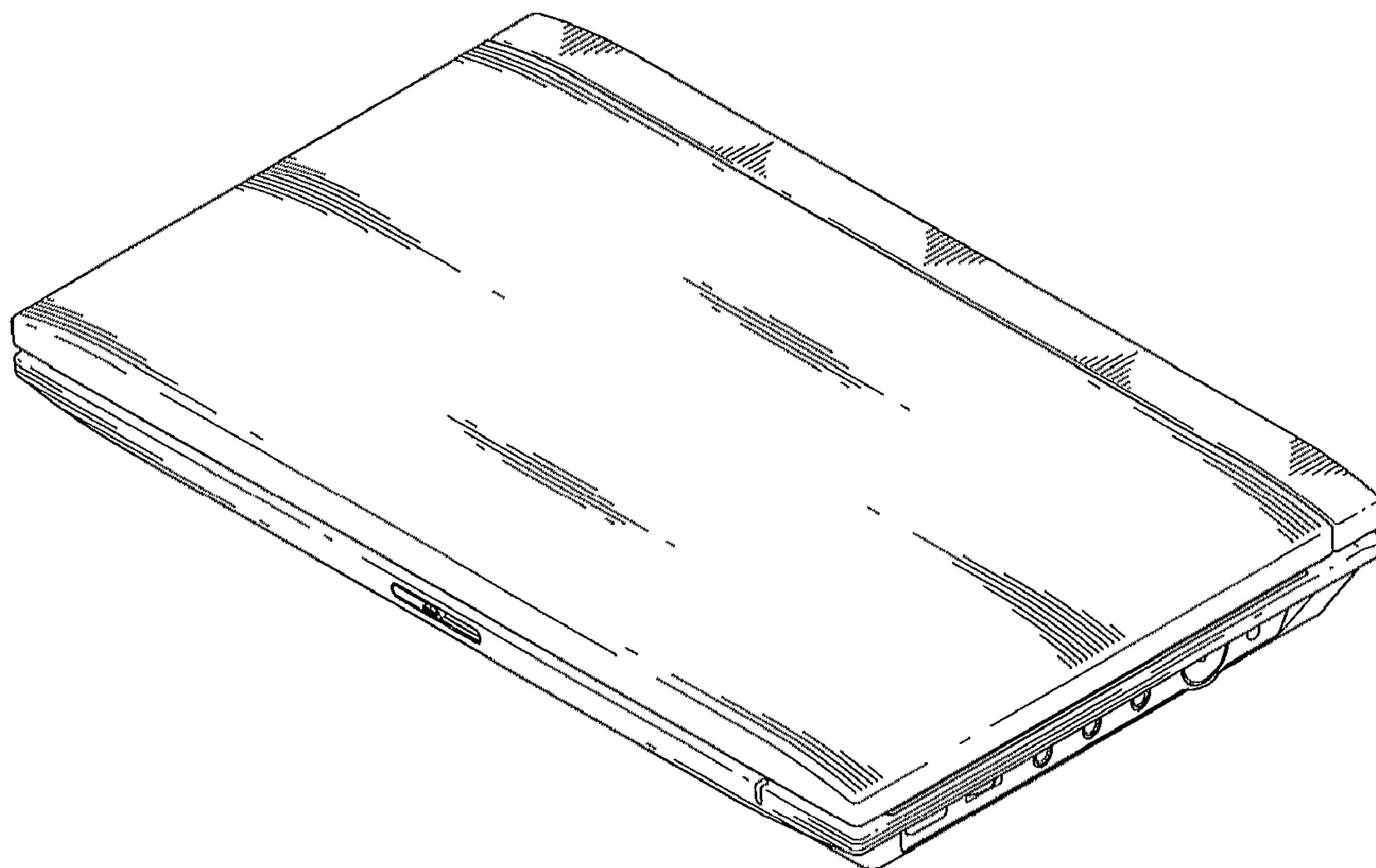


FIG. 1

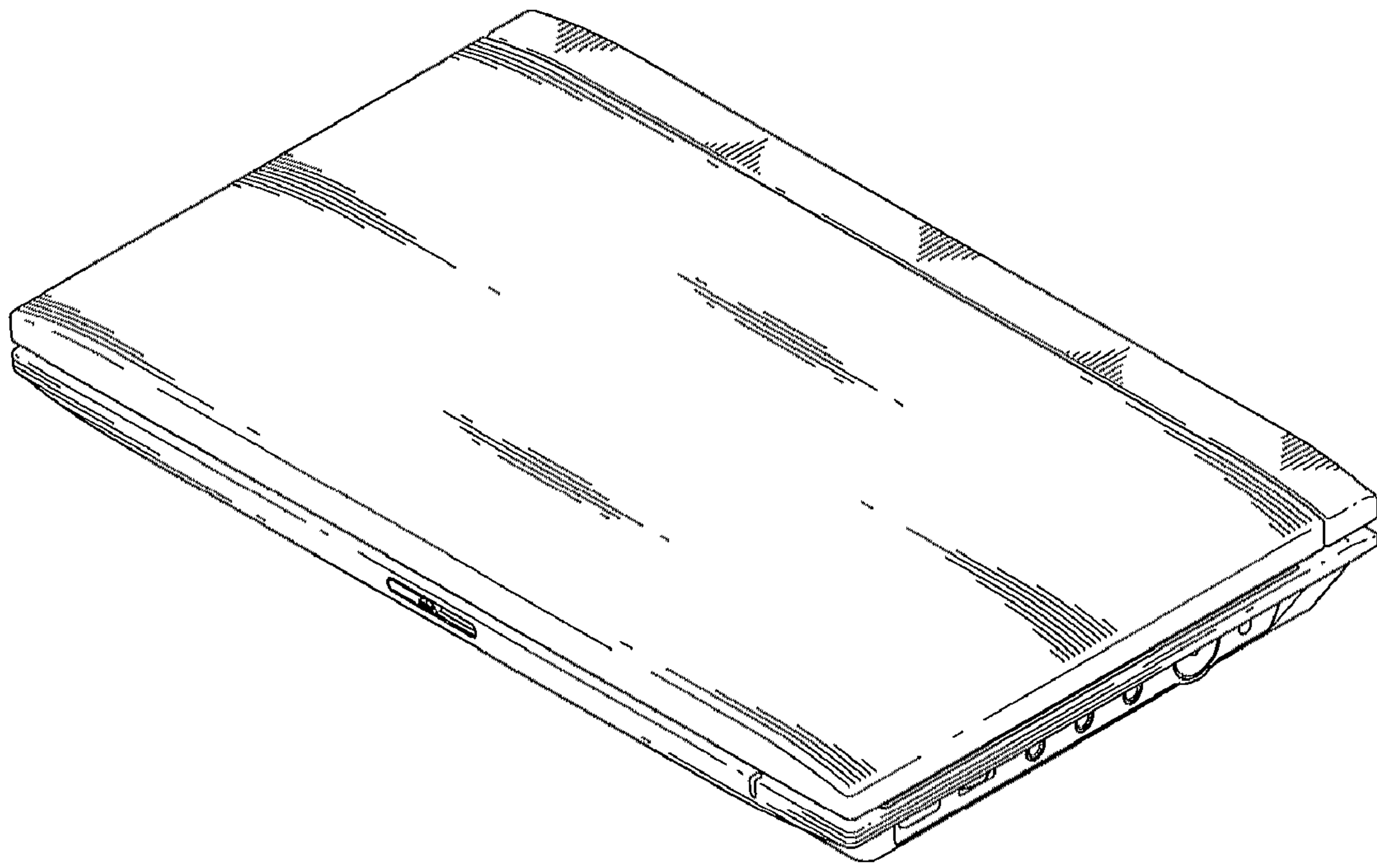


FIG. 2

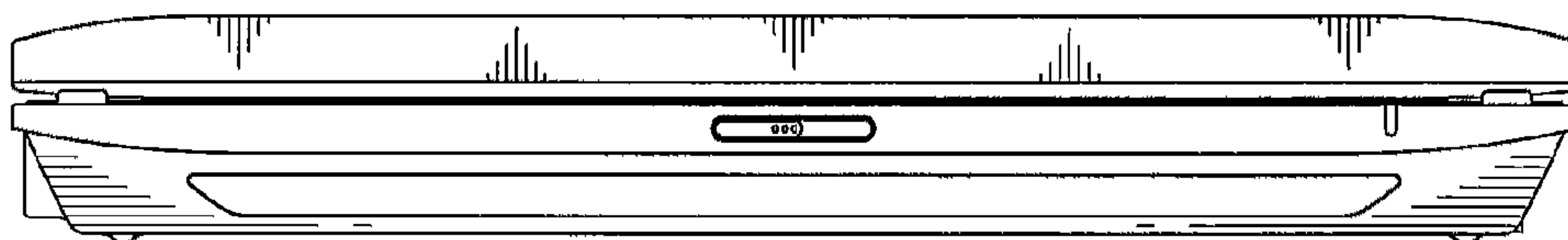


FIG. 3

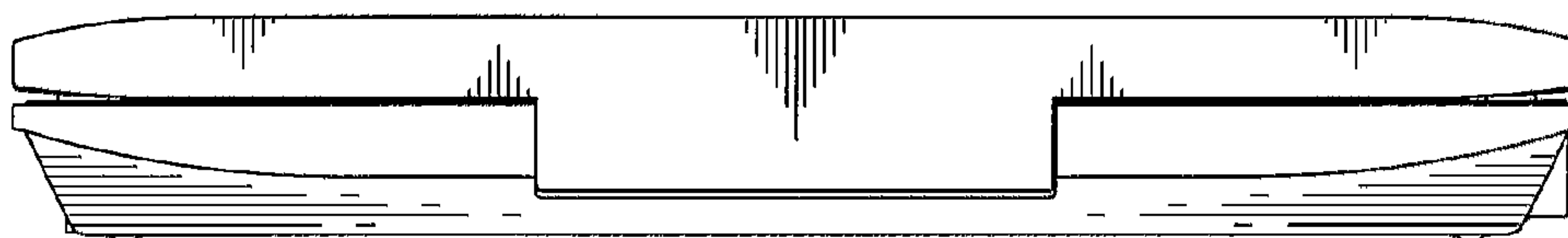


FIG. 4

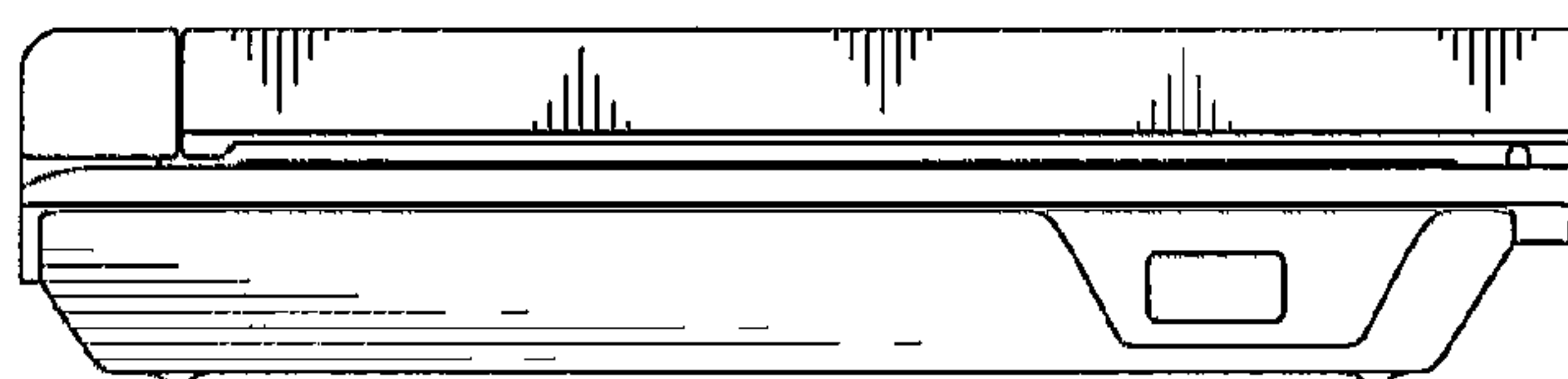


FIG. 5

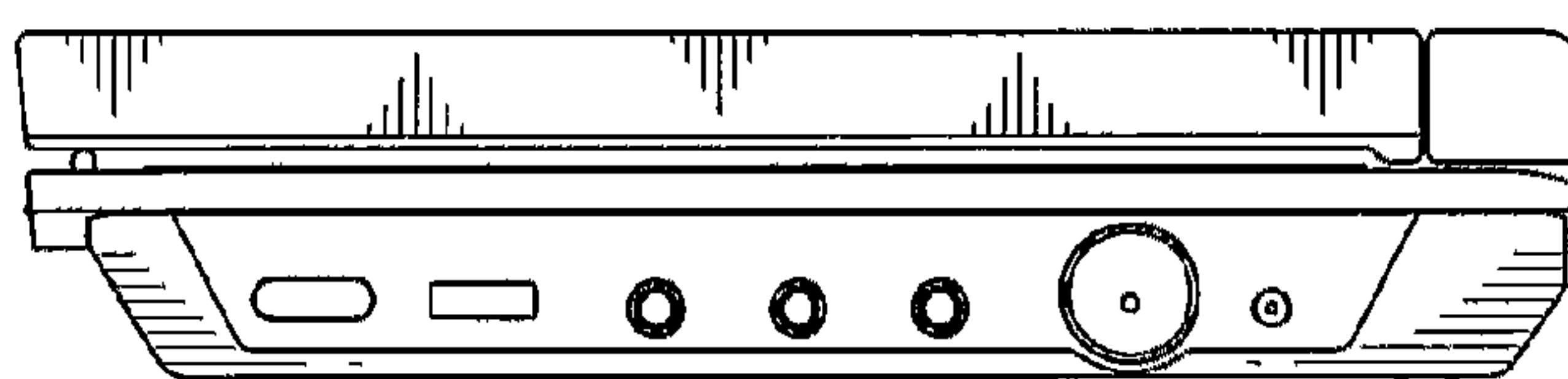


FIG. 6

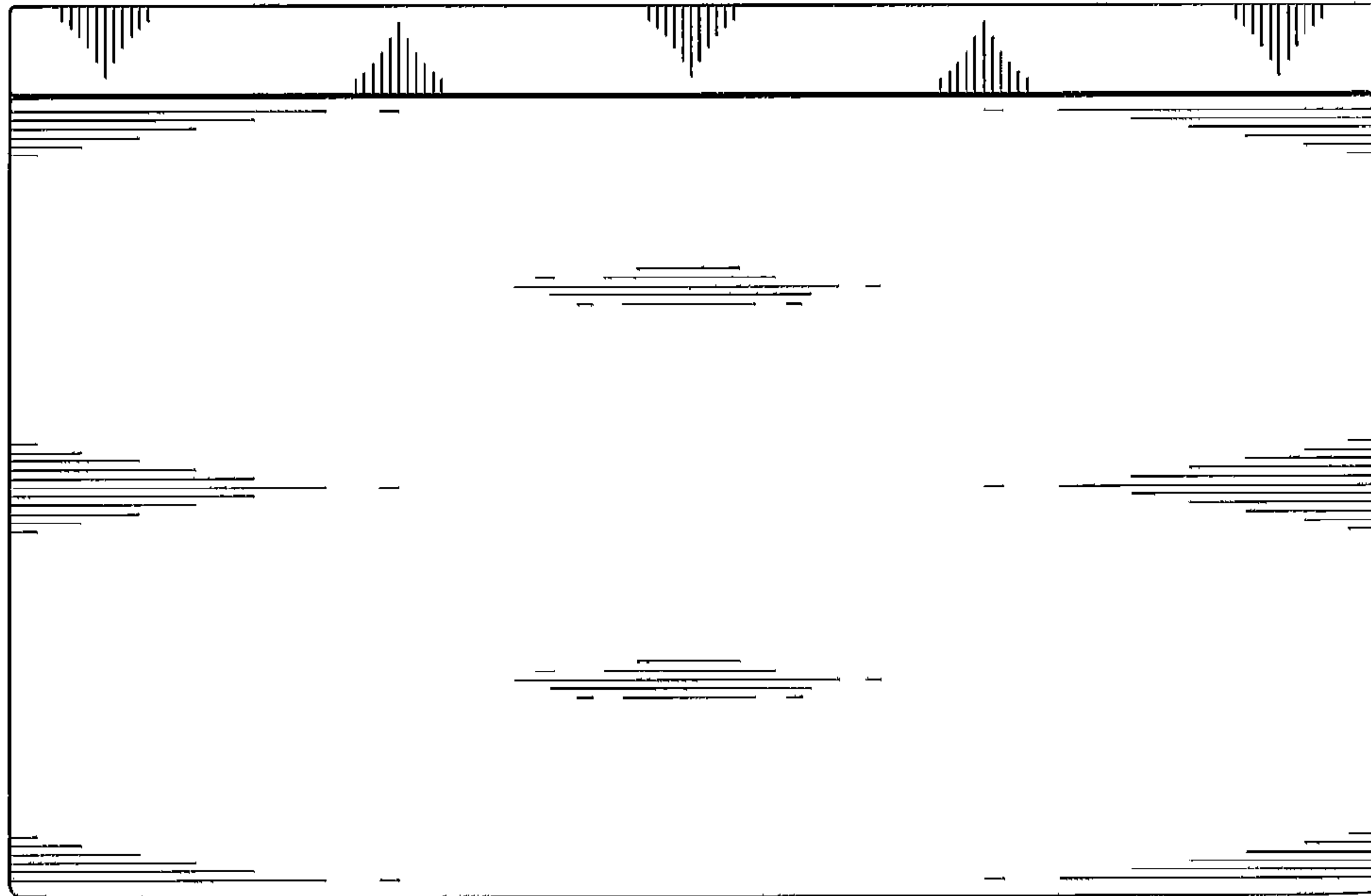


FIG. 7

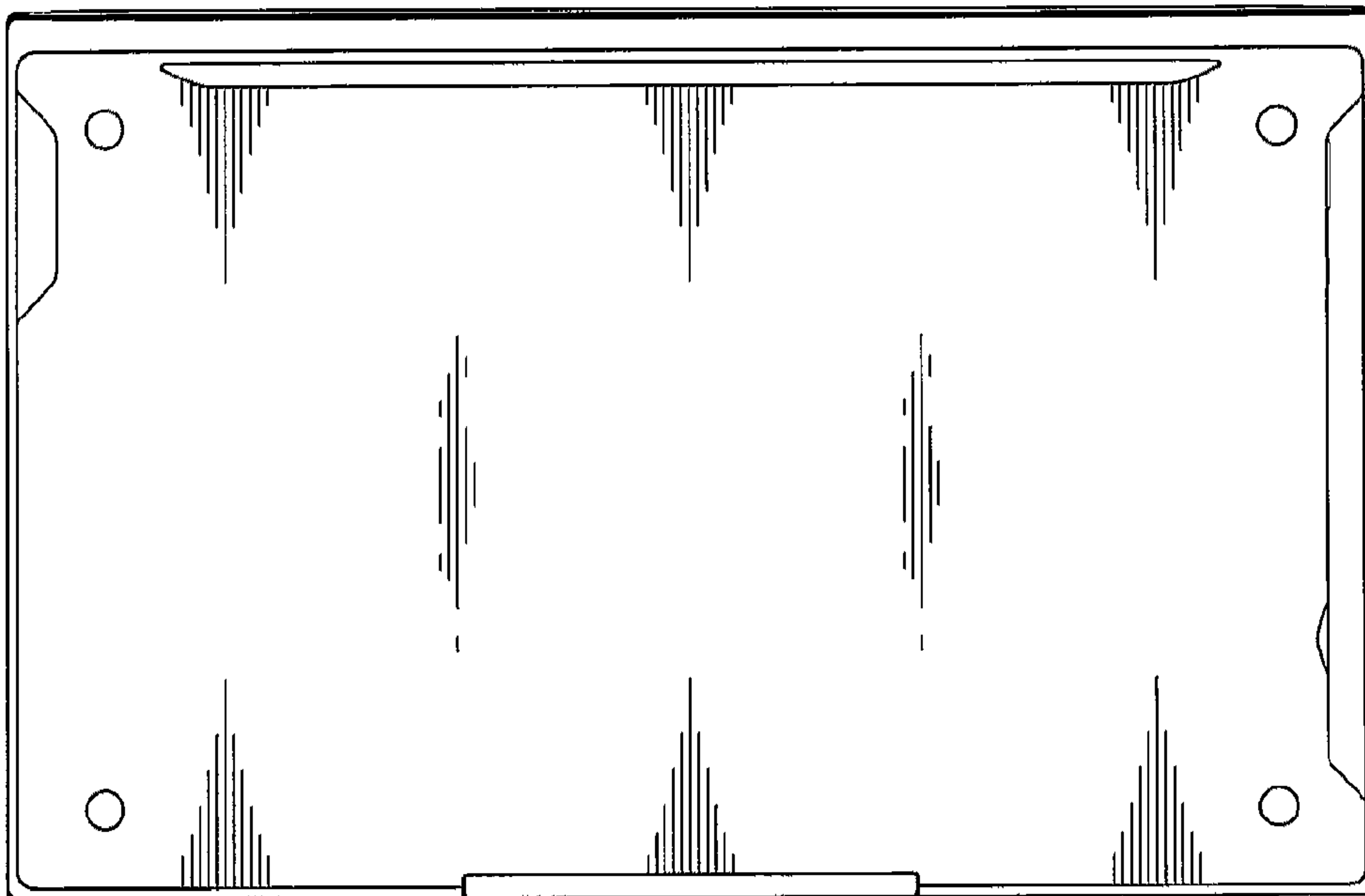


FIG. 8

