



US00D660260S

(12) **United States Design Patent**
Brink et al.

(10) **Patent No.:** **US D660,260 S**

(45) **Date of Patent:** **** May 22, 2012**

(54) **HOUSING FOR ELECTRONIC COMPONENT**

(75) Inventors: **Christopher Michael Brink**,
Harrisburg, PA (US); **Garrett Robert
Schmidt**, Hershey, PA (US); **Gerwin
Müller**, Kiel (DE); **Gerd Witt**, Kiel
(DE)

(73) Assignee: **Phoenix Contact Development and
Manufacturing, Inc.**, Middletown, PA
(US)

(**) Term: **14 Years**

(21) Appl. No.: **29/388,649**

(22) Filed: **Mar. 31, 2011**

(51) **LOC (9) Cl.** **13-03**

(52) **U.S. Cl.** **D13/184**

(58) **Field of Classification Search** D14/140.4,
D14/140.6, 240, 242, 300; D13/184, 199;
174/50; 220/3.8; 340/825; 361/679.31,
361/679.33, 714, 718, 719, 724, 728, 748,
361/752; 385/135, 136

See application file for complete search history.

(56) **References Cited**

U.S. PATENT DOCUMENTS

D304,339 S	*	10/1989	Collins et al.	D14/140.6
D388,398 S		12/1997	Jeong		
D423,461 S		4/2000	Layton, Jr.		
D428,393 S		7/2000	Nelson et al.		
D428,605 S		7/2000	Claprod et al.		
D452,233 S	*	12/2001	Kubik et al.	D14/242
D464,959 S	*	10/2002	Do et al.	D14/242
D486,819 S	*	2/2004	Wilson	D14/240

D584,243 S		1/2009	Rinna		
2003/0136780 A1	*	7/2003	Sato et al.	220/3.8
2006/0102370 A1	*	5/2006	Helm et al.	174/50
2009/0051563 A1	*	2/2009	Kuo et al.	340/825
2010/0039781 A1	*	2/2010	Tai et al.	361/752
2010/0091469 A1	*	4/2010	Lin	361/752
2010/0110646 A1	*	5/2010	Chiang et al.	361/752
2010/0157551 A1	*	6/2010	Cheng	361/752
2010/0188827 A1	*	7/2010	Yamada	361/752
2011/0038589 A1	*	2/2011	Ruiz et al.	385/135

FOREIGN PATENT DOCUMENTS

DE	M9501304-0001		8/1995
DE	40006928-0001		12/2000
DE	000417340-0002 A1		12/2005

* cited by examiner

Primary Examiner — Melody N Brown

(74) *Attorney, Agent, or Firm* — Hooker & Habib, P.C.

(57) **CLAIM**

The ornamental design of a housing for an electronic component, as shown and described.

DESCRIPTION

FIG. 1 is a front left perspective view of a housing for an electronic component showing our new design;

FIG. 2 is a top view thereof;

FIG. 3 is a bottom view thereof;

FIG. 4 is a right side view thereof;

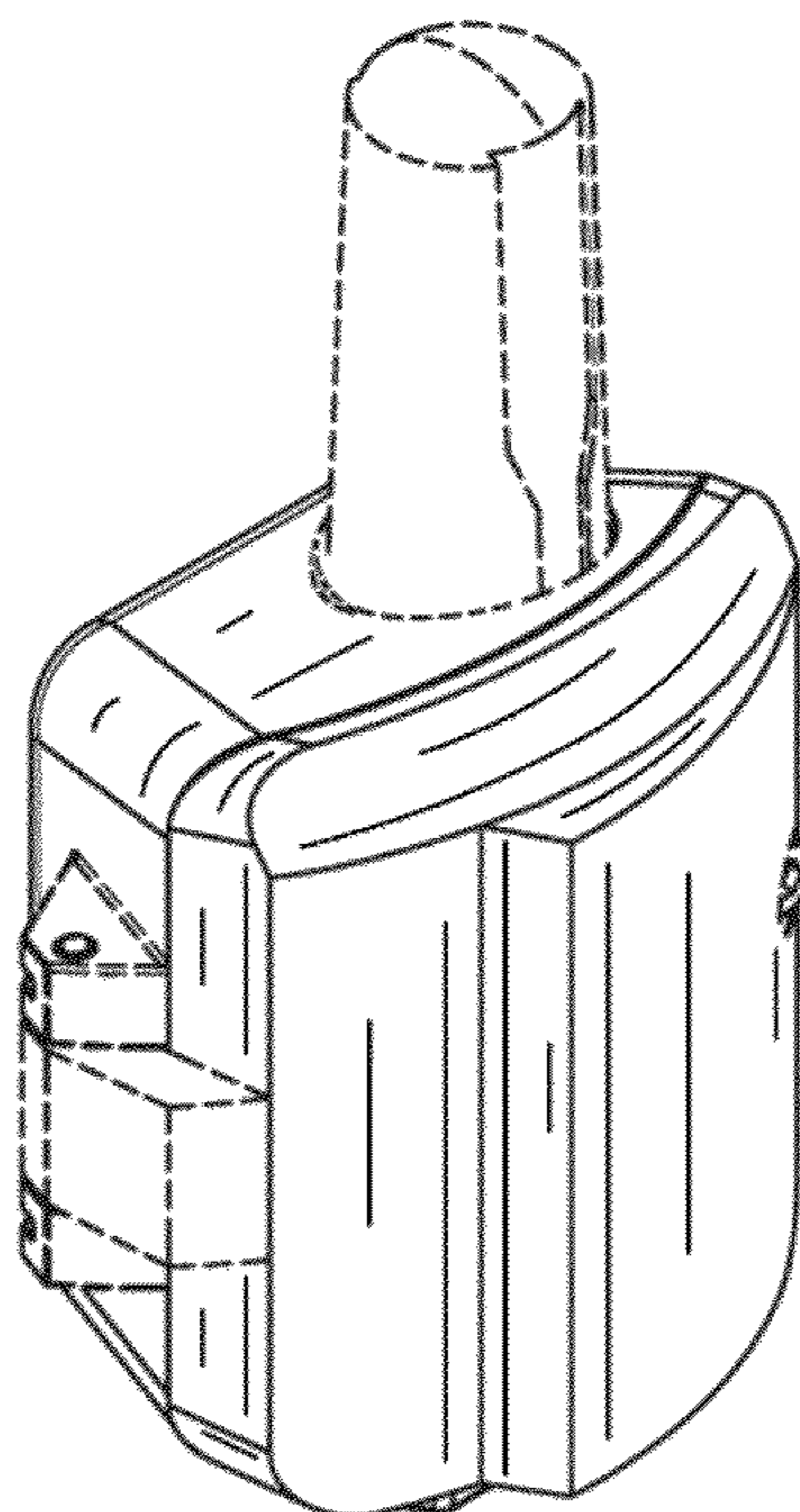
FIG. 5 is a left side view thereof;

FIG. 6 is a rear view thereof; and,

FIG. 7 is a front view thereof.

Broken lines shown in the drawings illustrate portions of the housing for an electronic component, and form no part of the claimed design.

1 Claim, 6 Drawing Sheets



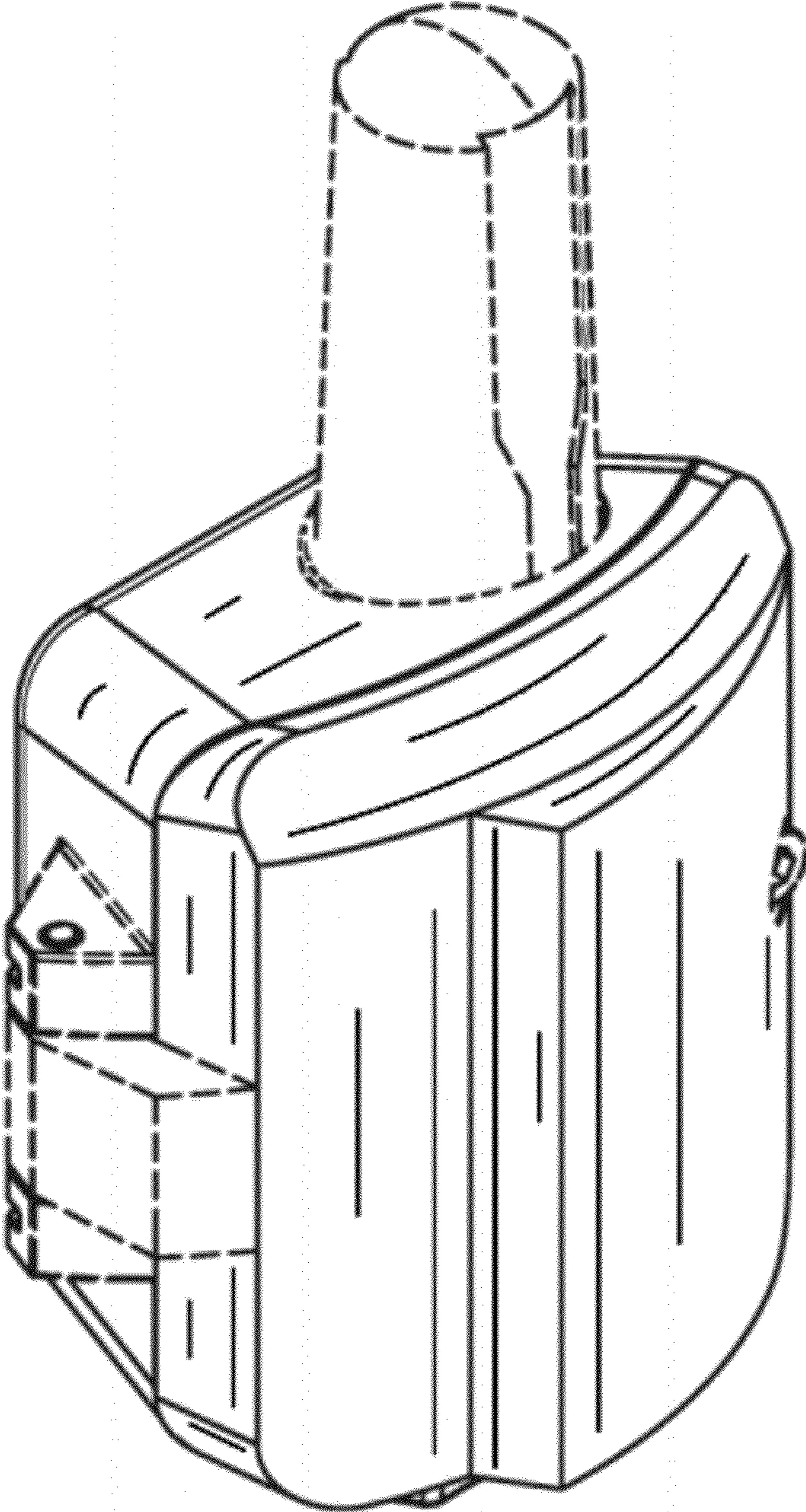


Figure 1

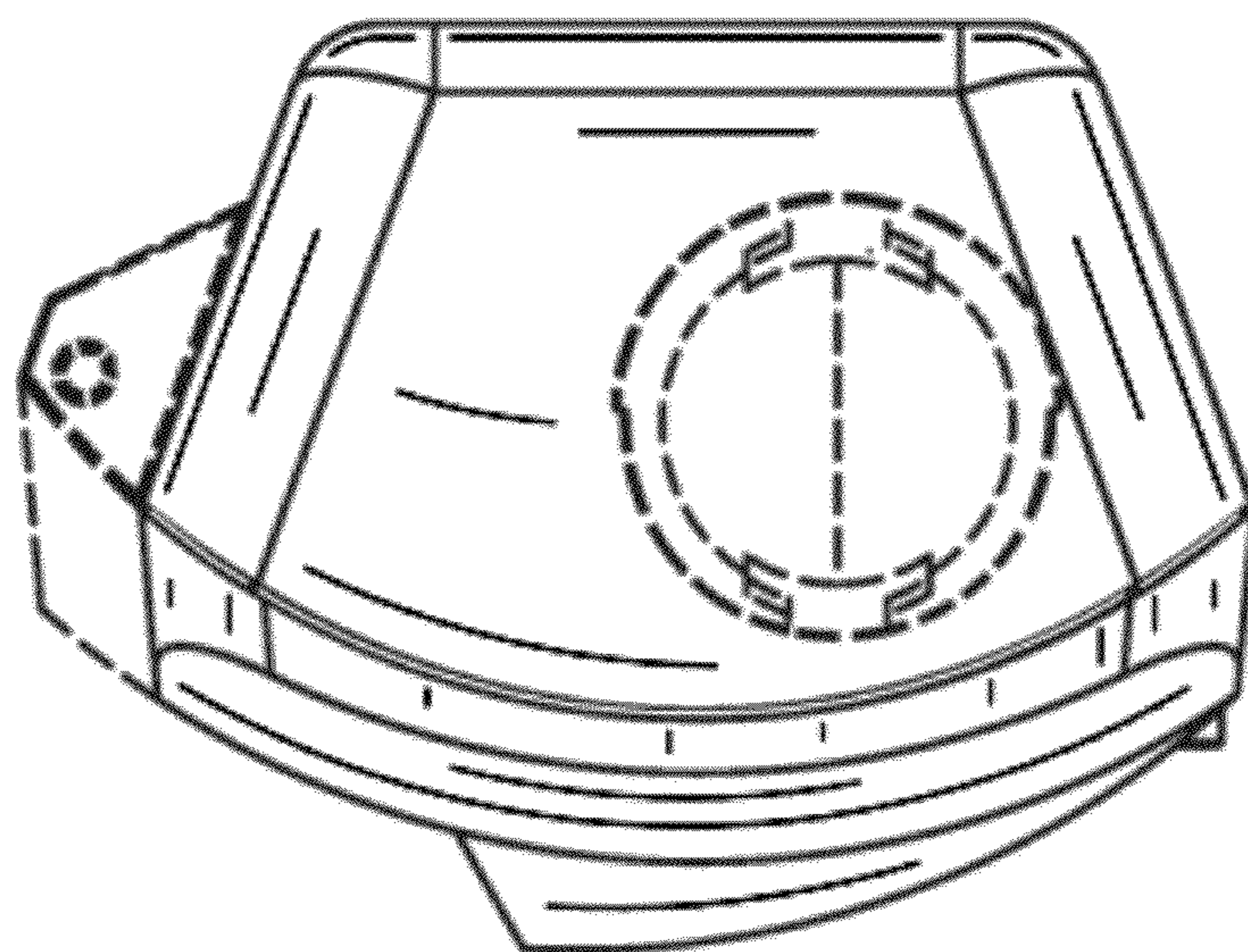


Figure 2

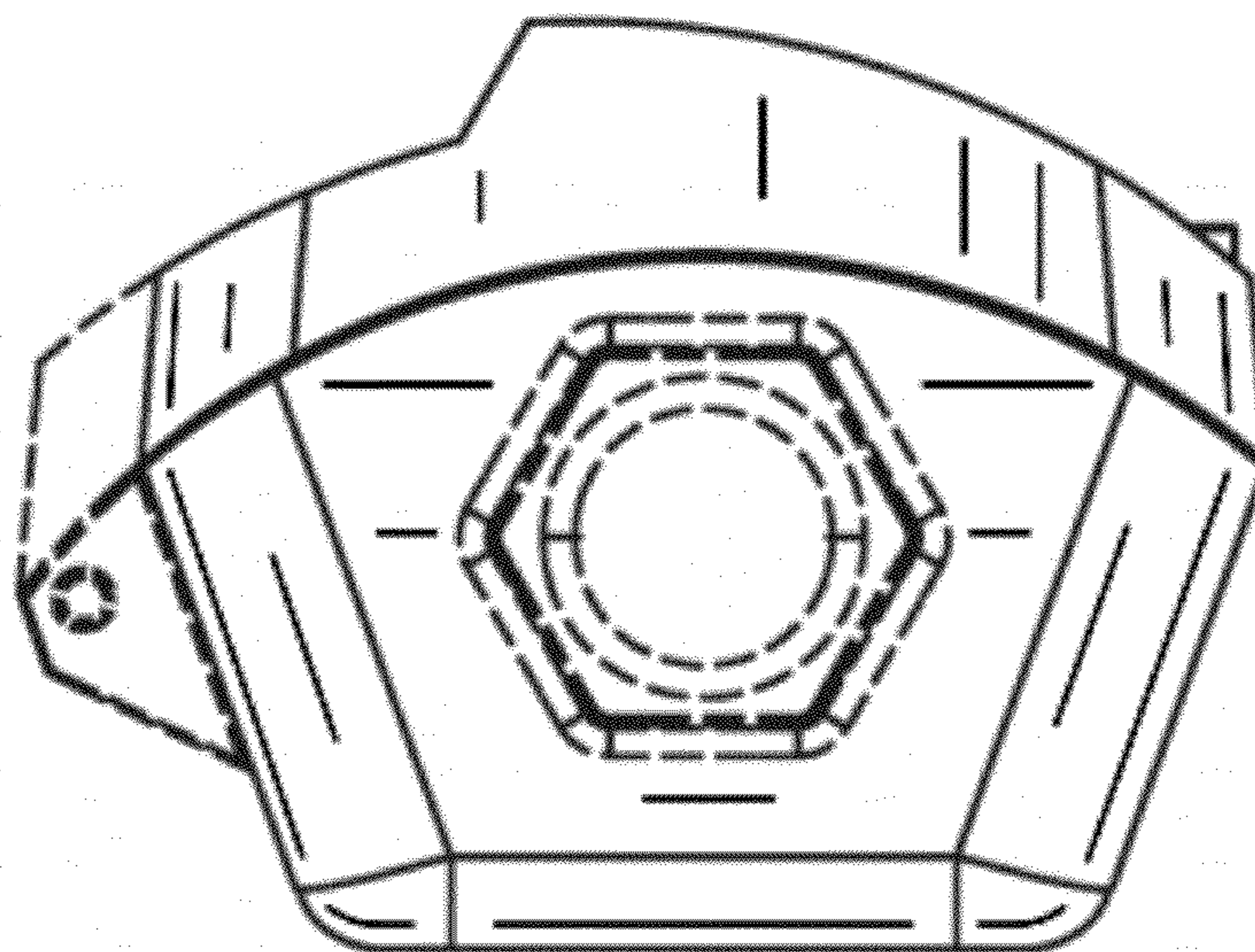


Figure 3

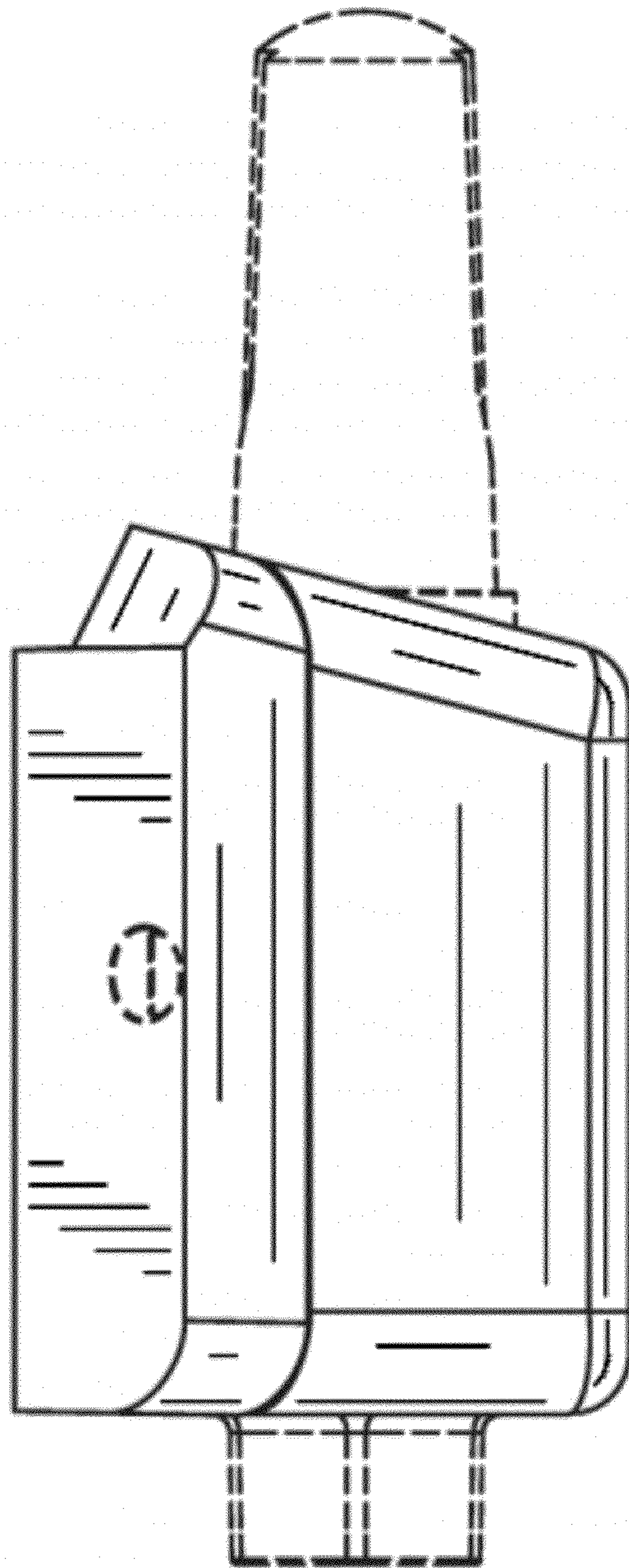


Figure 4

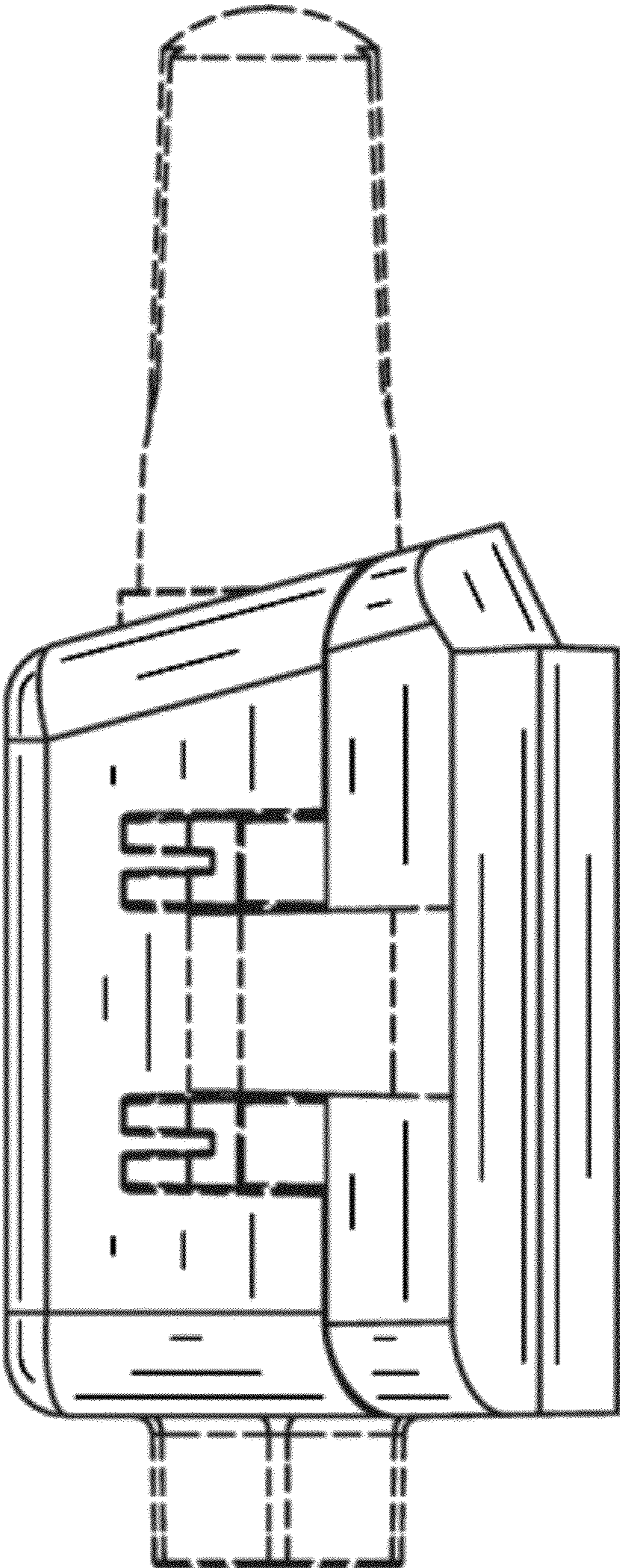


Figure 5

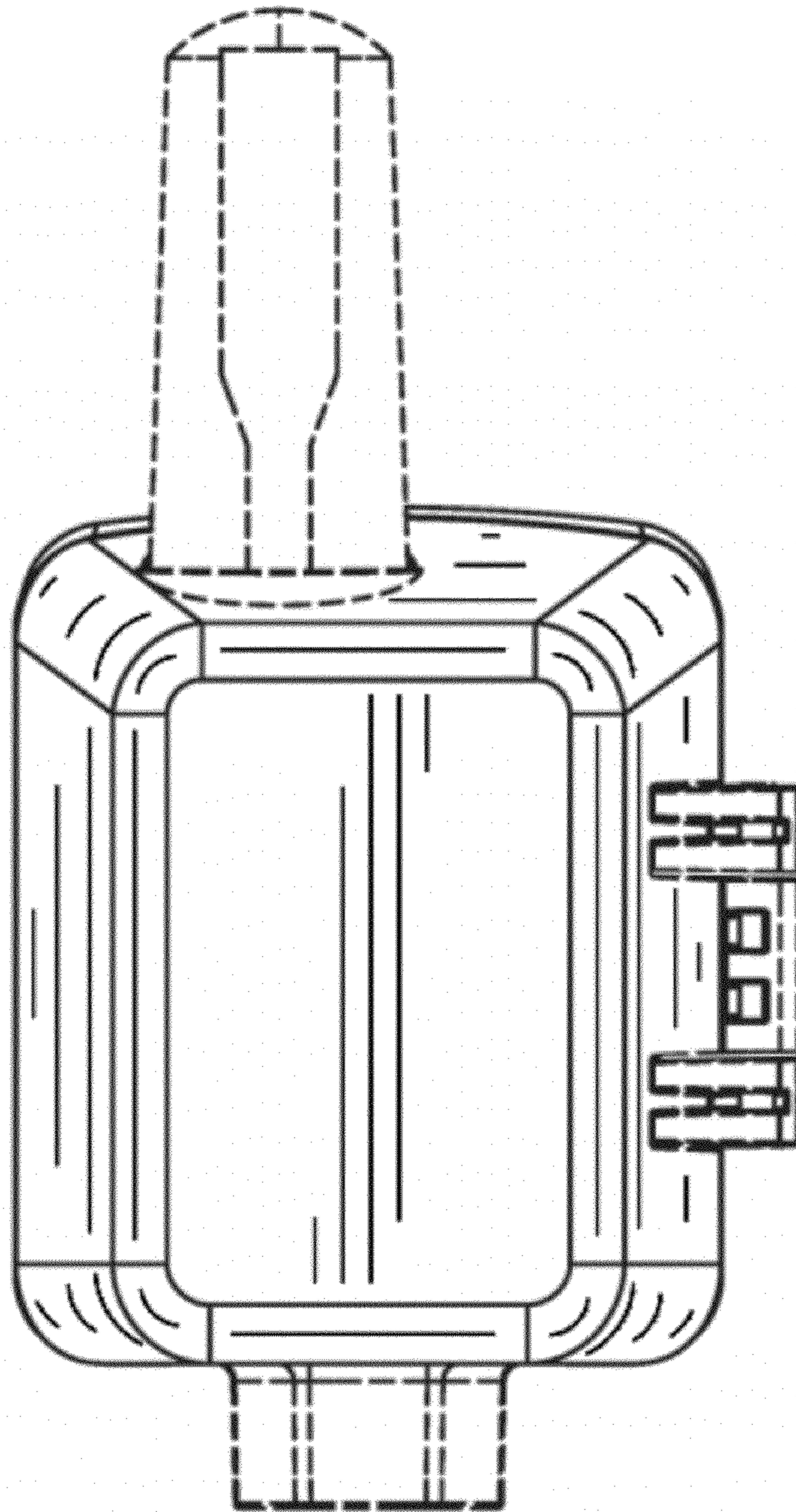


Figure 6

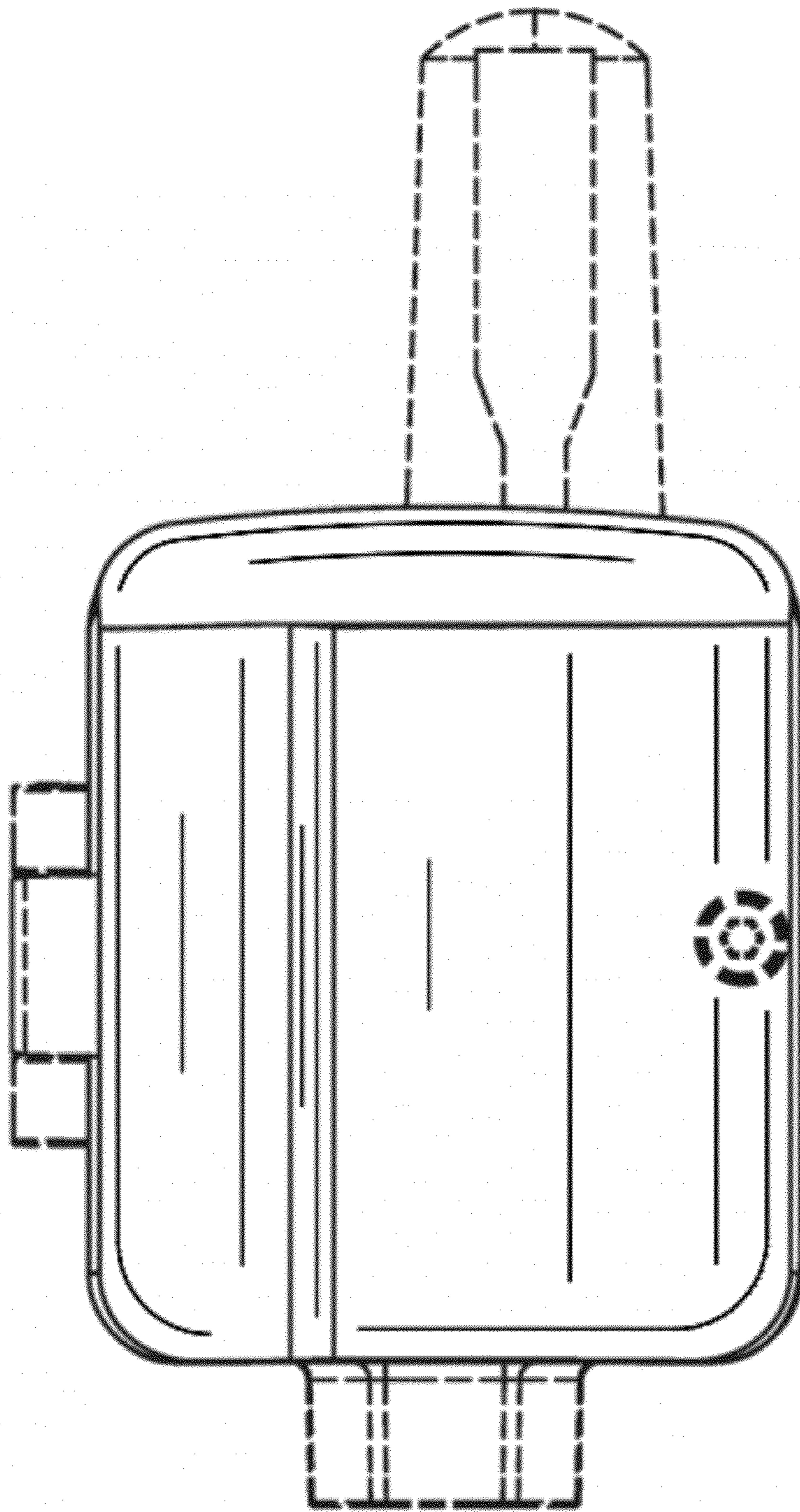


Figure 7