



US00D660259S

(12) **United States Design Patent**  
**Wang et al.**

(10) **Patent No.:** **US D660,259 S**

(45) **Date of Patent:** **\*\* May 22, 2012**

(54) **STRIP LED**

2011/0012165 A1\* 1/2011 Chiang ..... 257/99  
2011/0156083 A1\* 6/2011 Wang et al. .... 257/99

\* cited by examiner

(75) Inventors: **Bily Wang**, Hsinchu (TW); **Wen-Kuei Wu**, Hsinchu County (TW); **Ping-Chou Yang**, New Taipei (TW)

*Primary Examiner* — Selina Sikder

(73) Assignee: **Harvatek Corporation**, Hsinchu (TW)

(74) *Attorney, Agent, or Firm* — Li & Cai Intellectual Property (USA) Office

(\*\*) Term: **14 Years**

(57) **CLAIM**

The ornamental design for a “strip LED,” as shown and described.

(21) Appl. No.: **29/396,540**

**DESCRIPTION**

(22) Filed: **Jun. 30, 2011**

(51) **LOC (9) Cl.** ..... **13-03**

(52) **U.S. Cl.** ..... **D13/180**

(58) **Field of Classification Search** ..... D13/180;  
D26/1, 2; 257/79, 80, 81, 88, 89, 95, 98,  
257/99, 100, E33.058; 313/483, 498, 500;  
362/555, 800

See application file for complete search history.

FIG. 1 is a perspective view of a “strip LED” showing my new design;

FIG. 2 is a front view thereof;

FIG. 3 is a rear view thereof;

FIG. 4 is a left side view thereof;

FIG. 5 is a right side view thereof;

FIG. 6 is a top view thereof;

FIG. 7 is a bottom view thereof; and,

FIG. 8 is a cross-sectional view thereof taken along line 8-8 in FIG. 1 wherein the broken lines are shown for the purpose of illustrating environmental structure and forms no part of the claimed design.

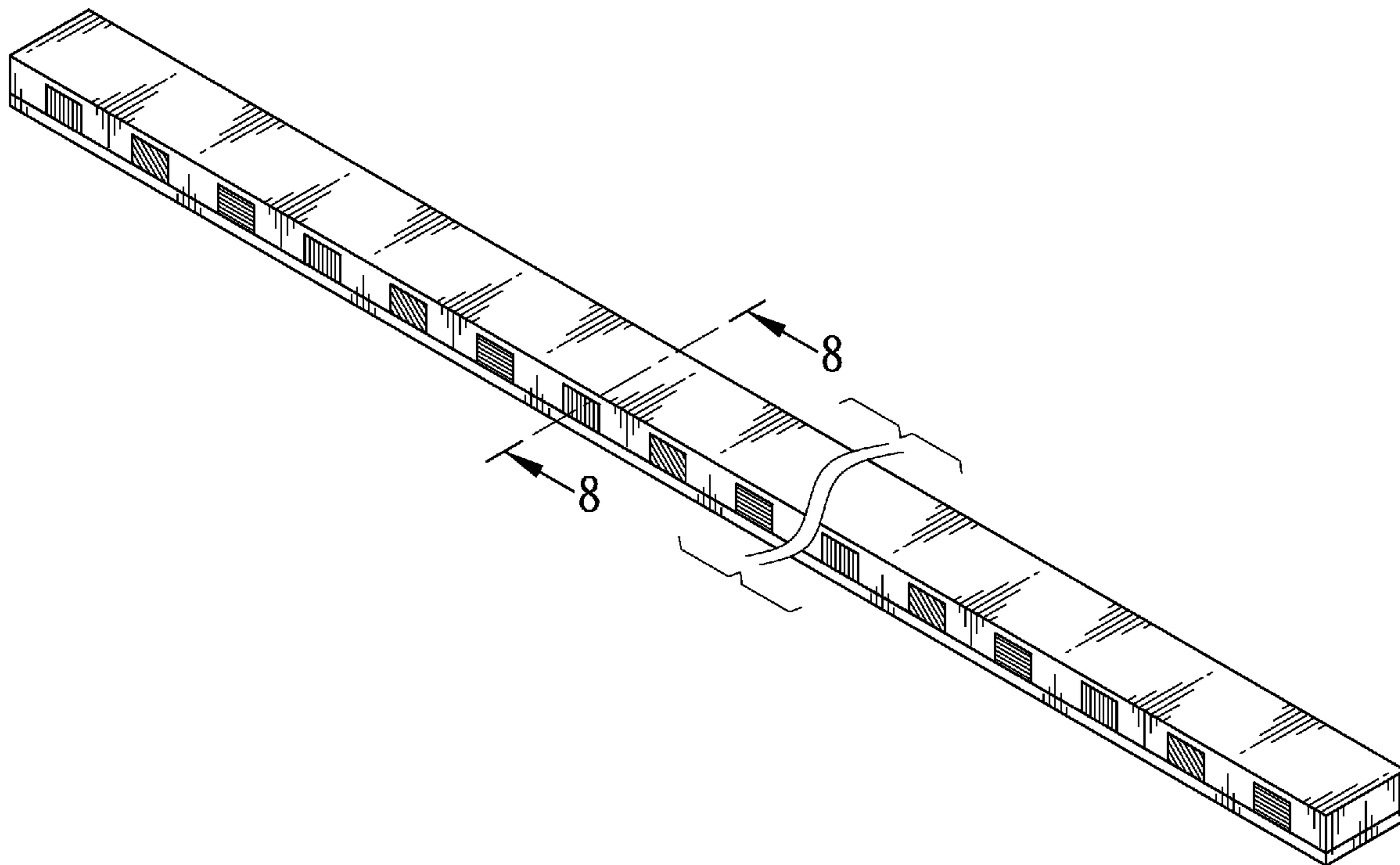
The strip LED is shown broken away in FIGS. 1-3 and 6-7 of the drawing to indicated indeterminate length, it being understood that it has a uniform shape and appearance through its length.

(56) **References Cited**

**U.S. PATENT DOCUMENTS**

D531,139 S *	10/2006	Egawa et al. ....	D13/180
D552,566 S *	10/2007	Moriyama ....	D13/180
D619,109 S *	7/2010	Peifer ....	D13/180
D622,676 S *	8/2010	Yasuoka et al. ....	D13/180
2003/0193803 A1 *	10/2003	Lin ....	362/250
2004/0223328 A1 *	11/2004	Lee et al. ....	362/249
2005/0157500 A1 *	7/2005	Chen et al. ....	362/294

**1 Claim, 5 Drawing Sheets**



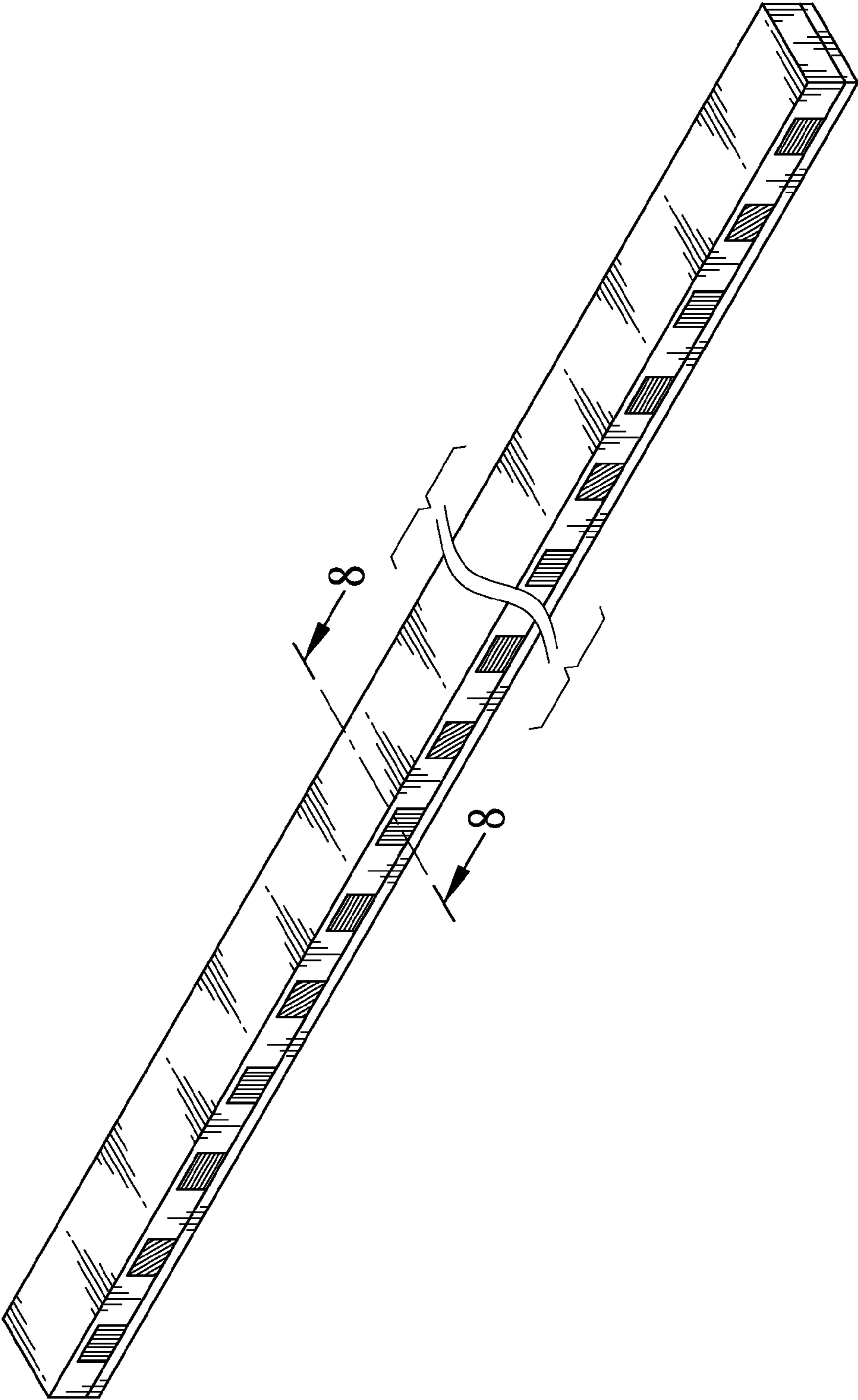


FIG. 1

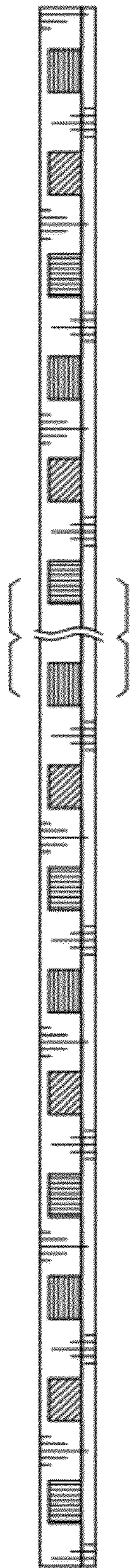


FIG. 2

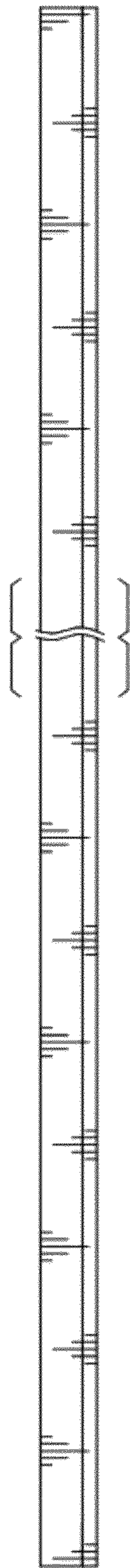
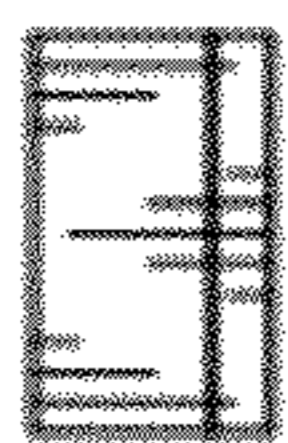
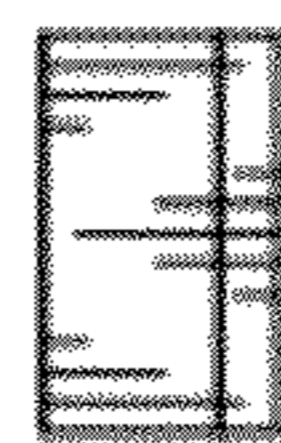


FIG. 3



**FIG. 4**



**FIG. 5**

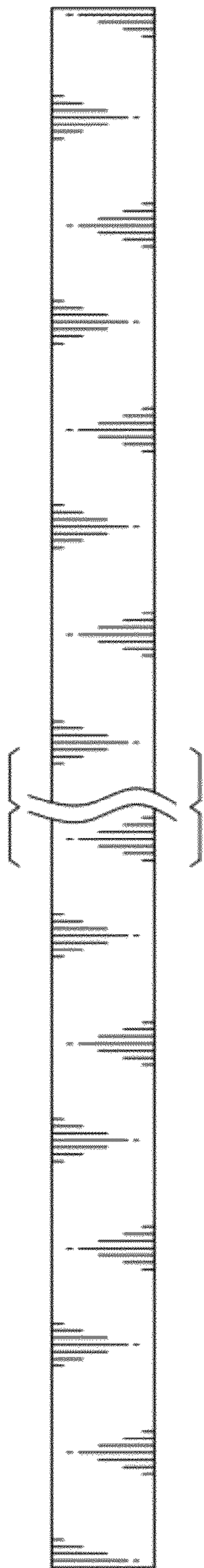


FIG. 6

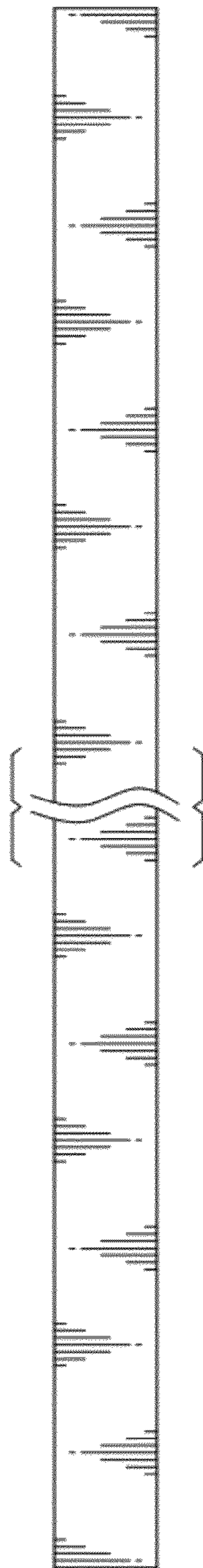


FIG. 7

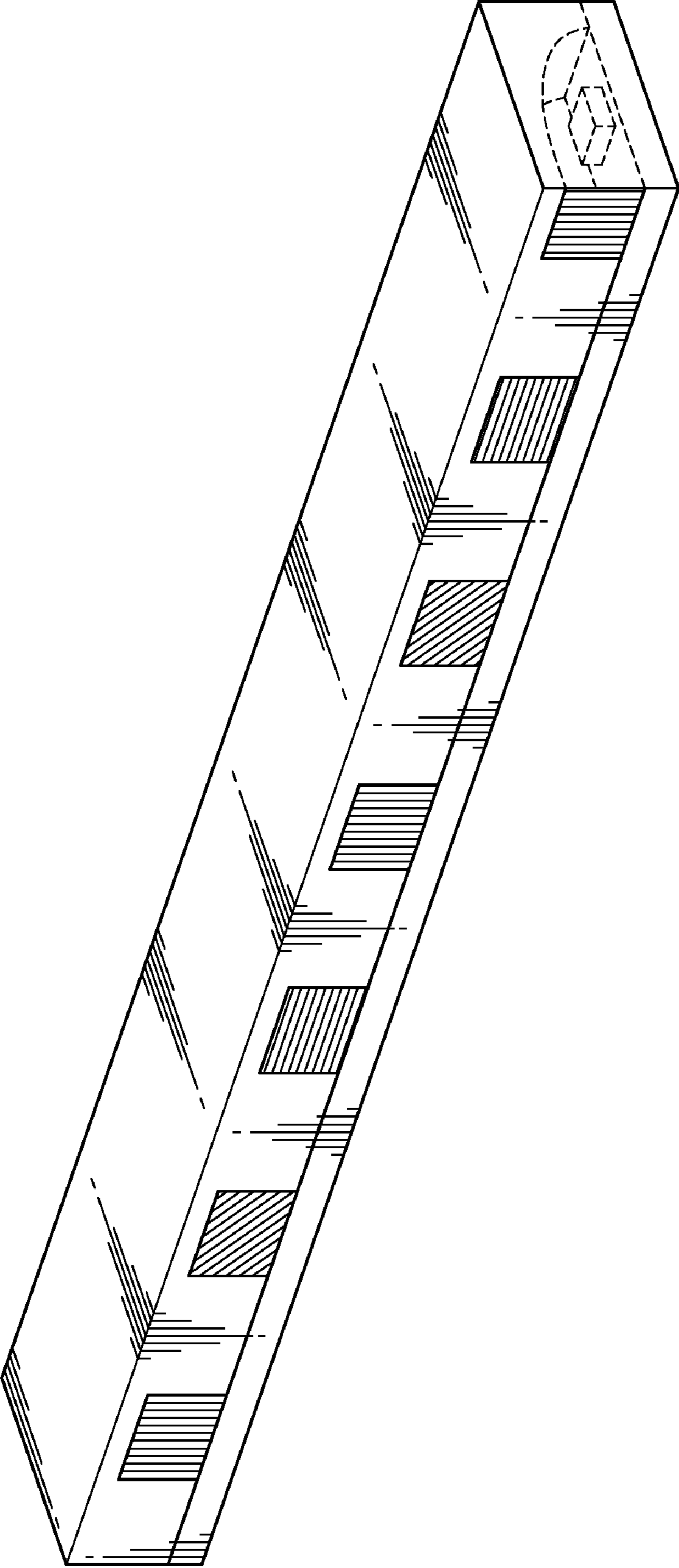


FIG. 8