

US00D660254S

(12) **United States Design Patent**
Cui

(10) **Patent No.:** **US D660,254 S**

(45) **Date of Patent:** **** May 22, 2012**

(54) **WINCH SOLENOID RELAY**

D642,131 S * 7/2011 Detemple et al. D13/159
D653,625 S * 2/2012 Detemple et al. D13/159

(76) Inventor: **Xiaojun Cui**, Ningbo (CN)

* cited by examiner

(**) Term: **14 Years**

Primary Examiner — Thomas Johannes

(21) Appl. No.: **29/368,260**

(74) *Attorney, Agent, or Firm* — Steven M. War, Esq.

(22) Filed: **Aug. 20, 2010**

(57) **CLAIM**

(51) **LOC (9) Cl.** **13-03**

The ornamental design for a winch solenoid relay, as shown and described.

(52) **U.S. Cl.** **D13/159**

(58) **Field of Classification Search** D13/158,
D13/159, 160, 162, 184, 199; 200/43.14,
200/50.01, 50.21–50.23; 361/42, 44, 50,
361/71, 115, 608, 634

DESCRIPTION

See application file for complete search history.

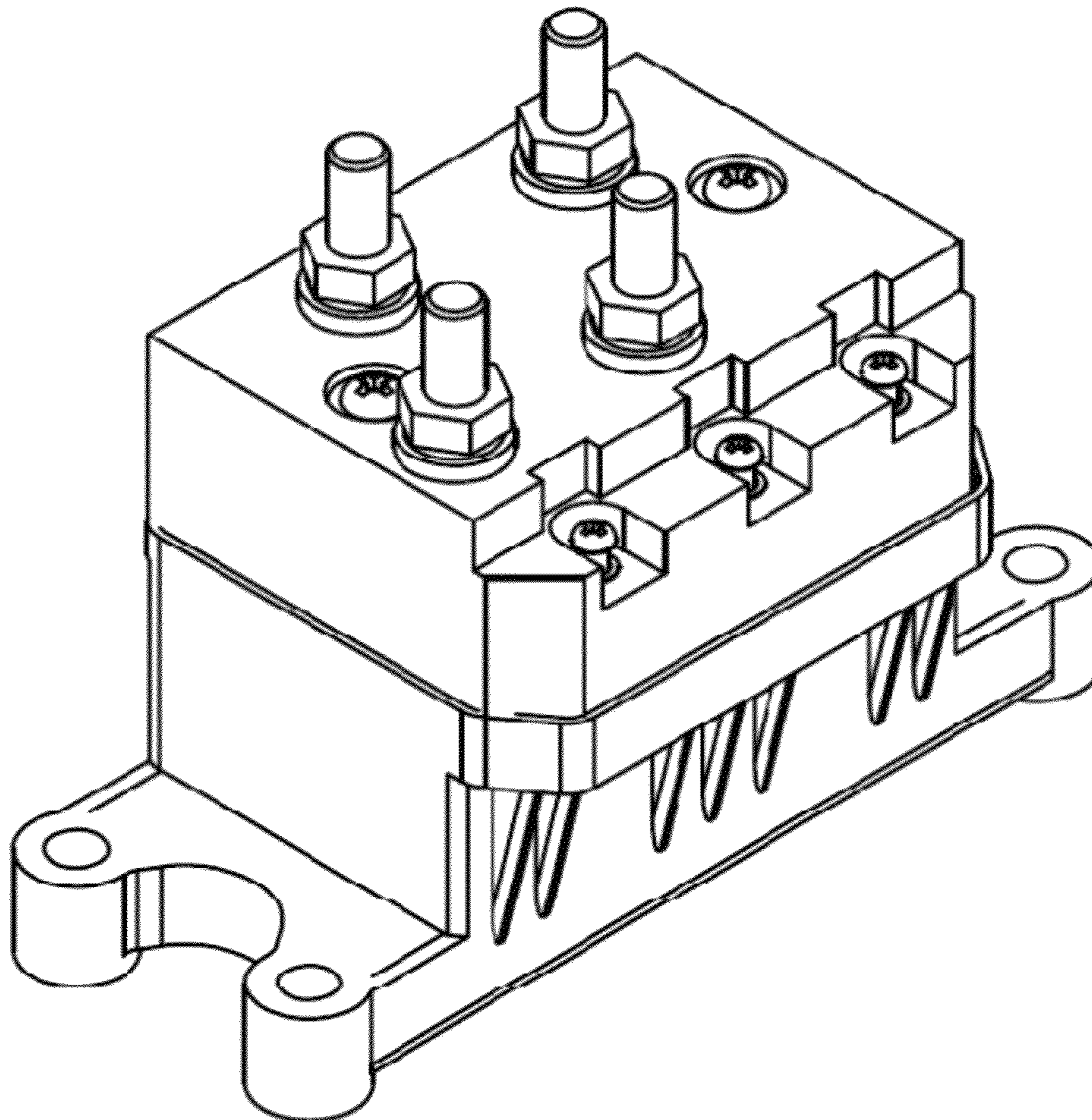
FIG. 1 is a perspective view of the winch solenoid relay showing our new design;
FIG. 2 is a top view thereof;
FIG. 3 is a right side view thereof;
FIG. 4 is a front view thereof;
FIG. 5 is a left side view thereof;
FIG. 6 is a rear view thereof; and,
FIG. 7 is a bottom view thereof.

(56) **References Cited**

U.S. PATENT DOCUMENTS

D640,990 S * 7/2011 Detemple et al. D13/159
D641,325 S * 7/2011 Detemple et al. D13/159

1 Claim, 7 Drawing Sheets



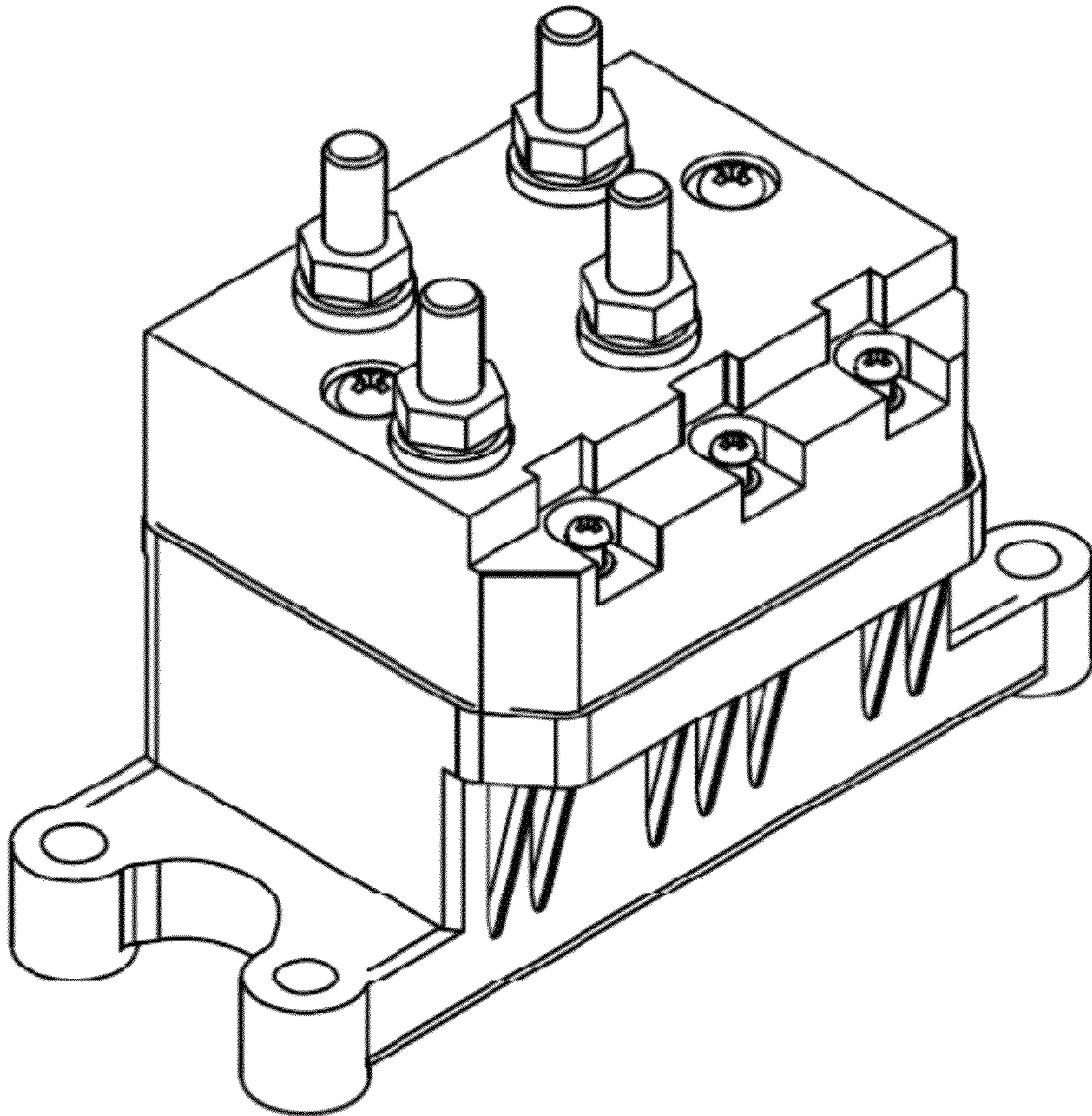


FIG. 1

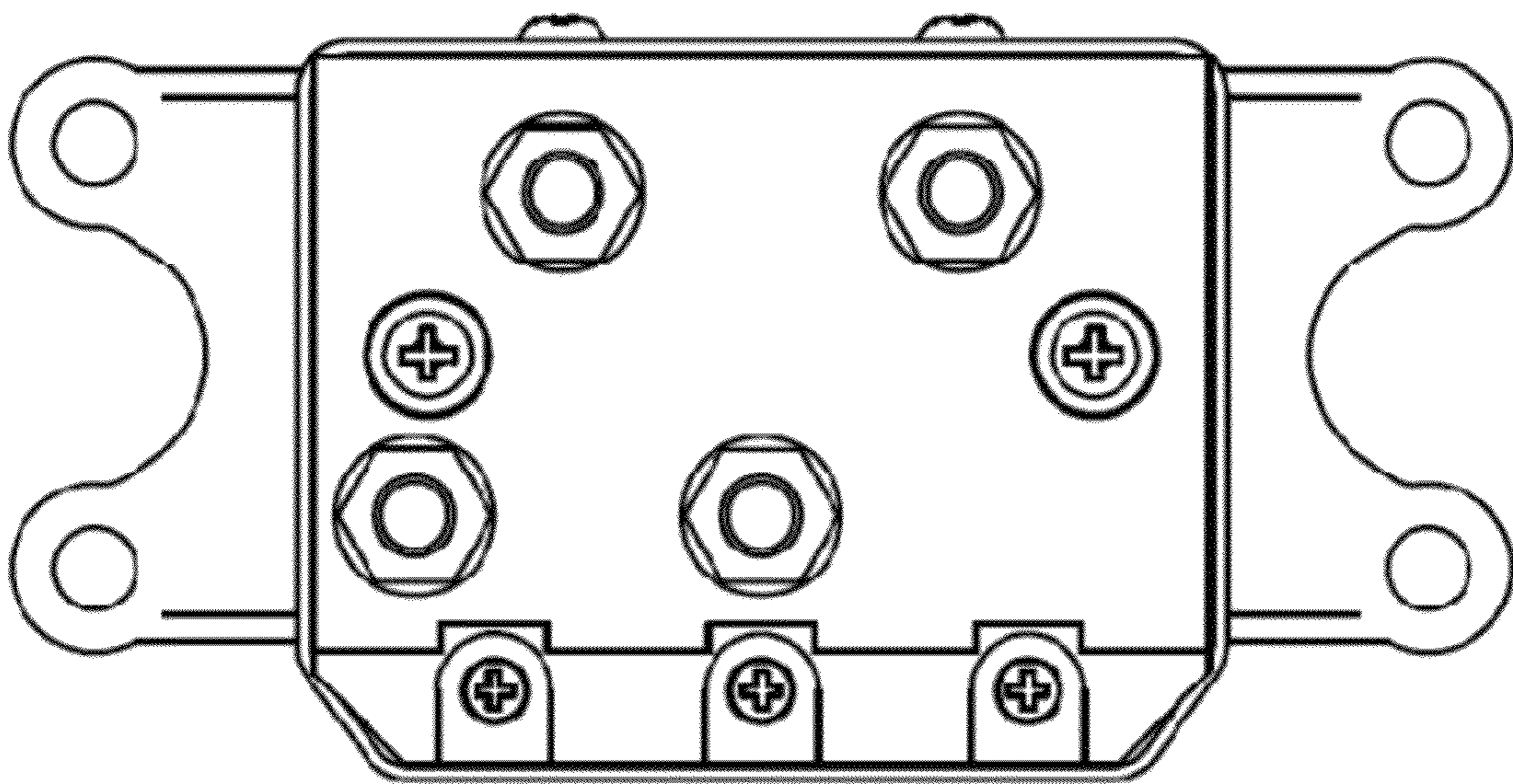


FIG. 2

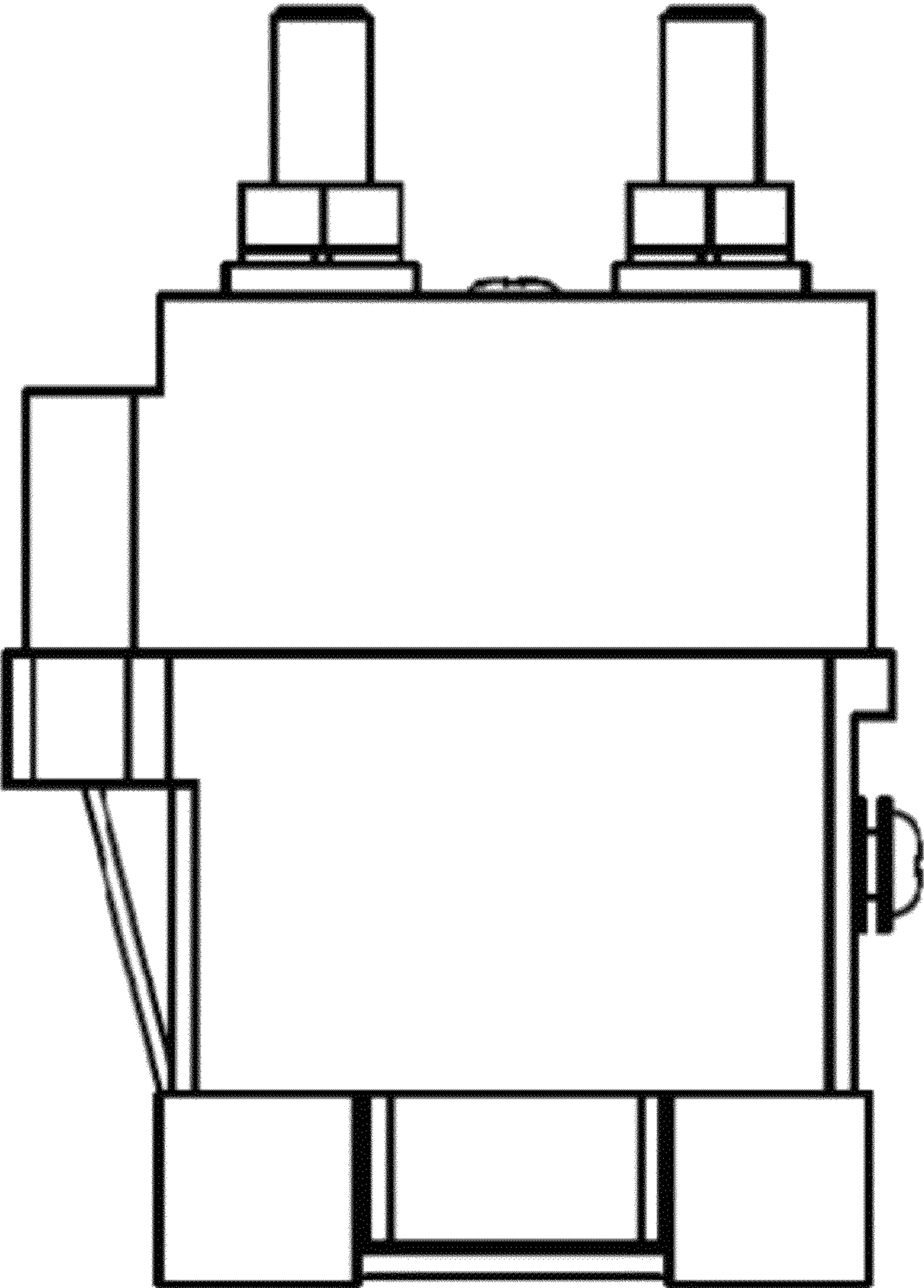


FIG. 3

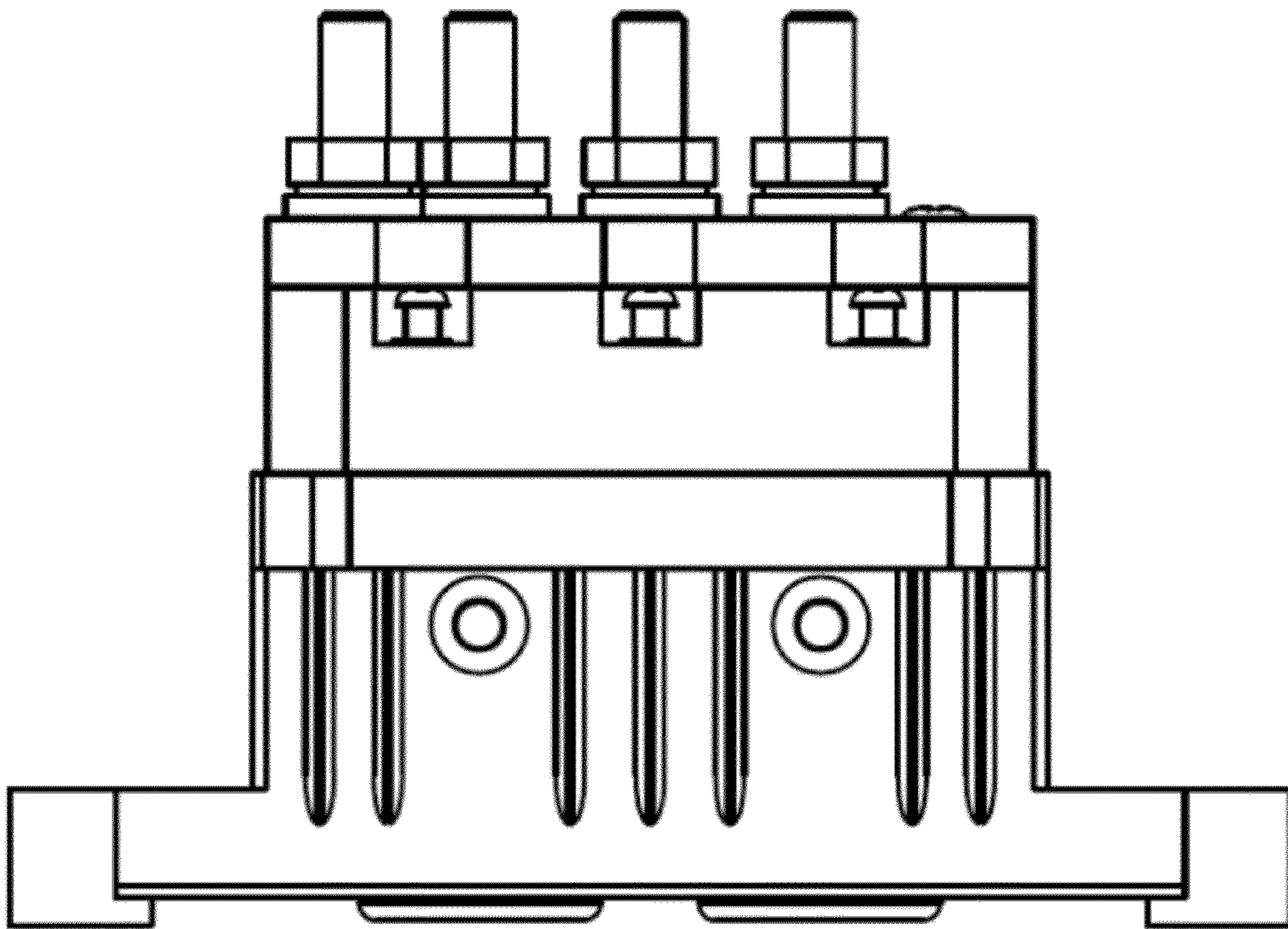


FIG. 4

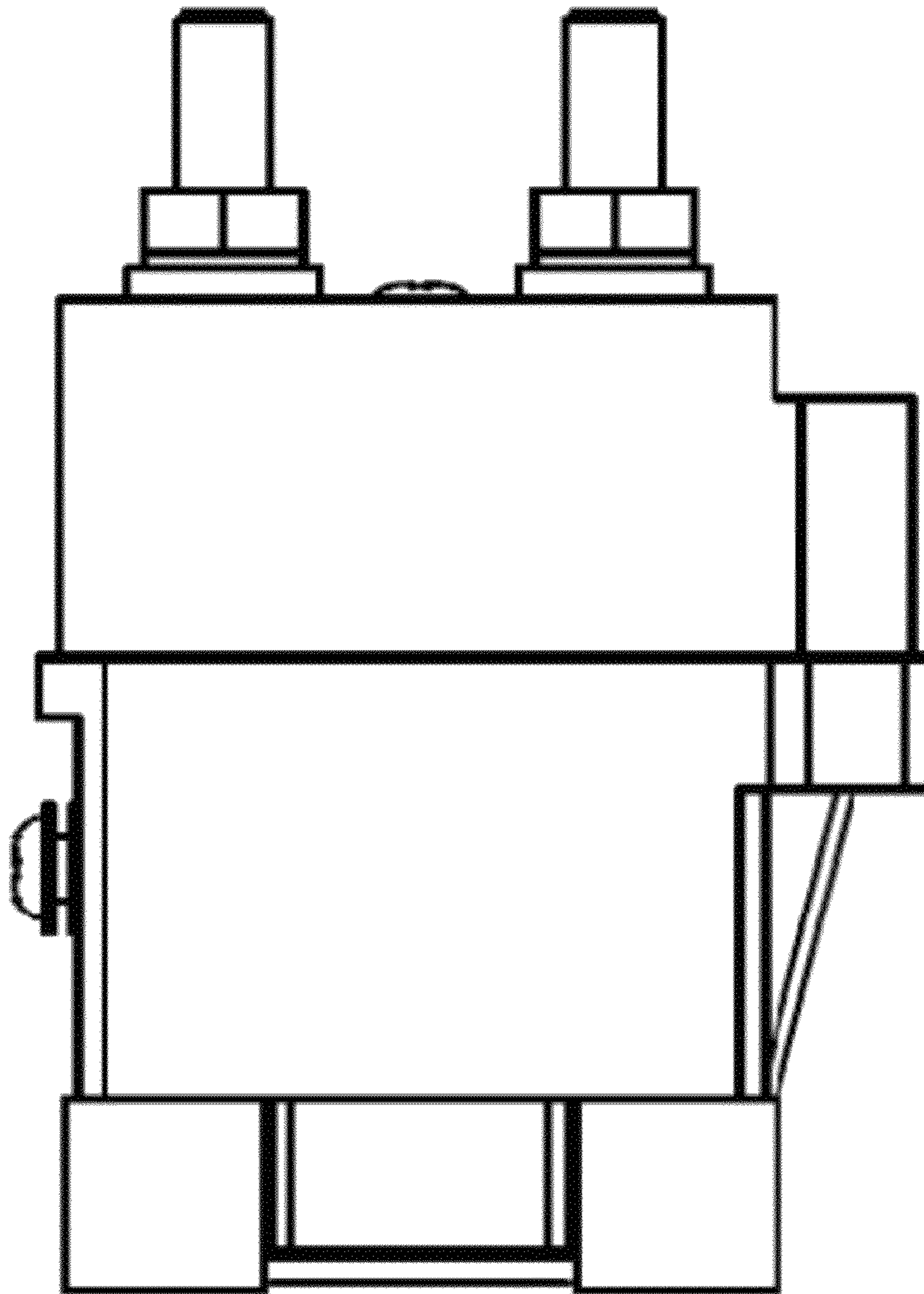


FIG. 5

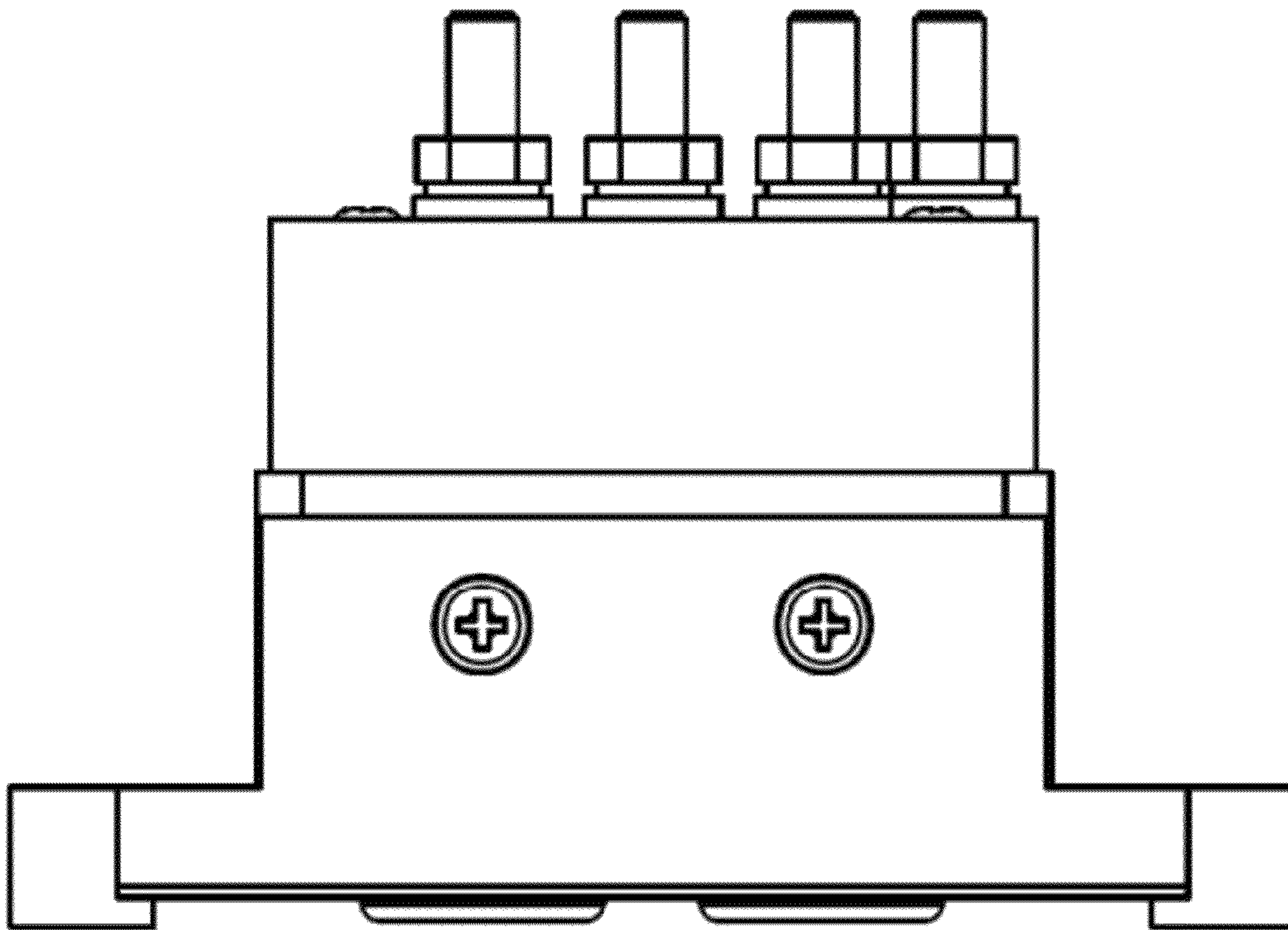


FIG. 6

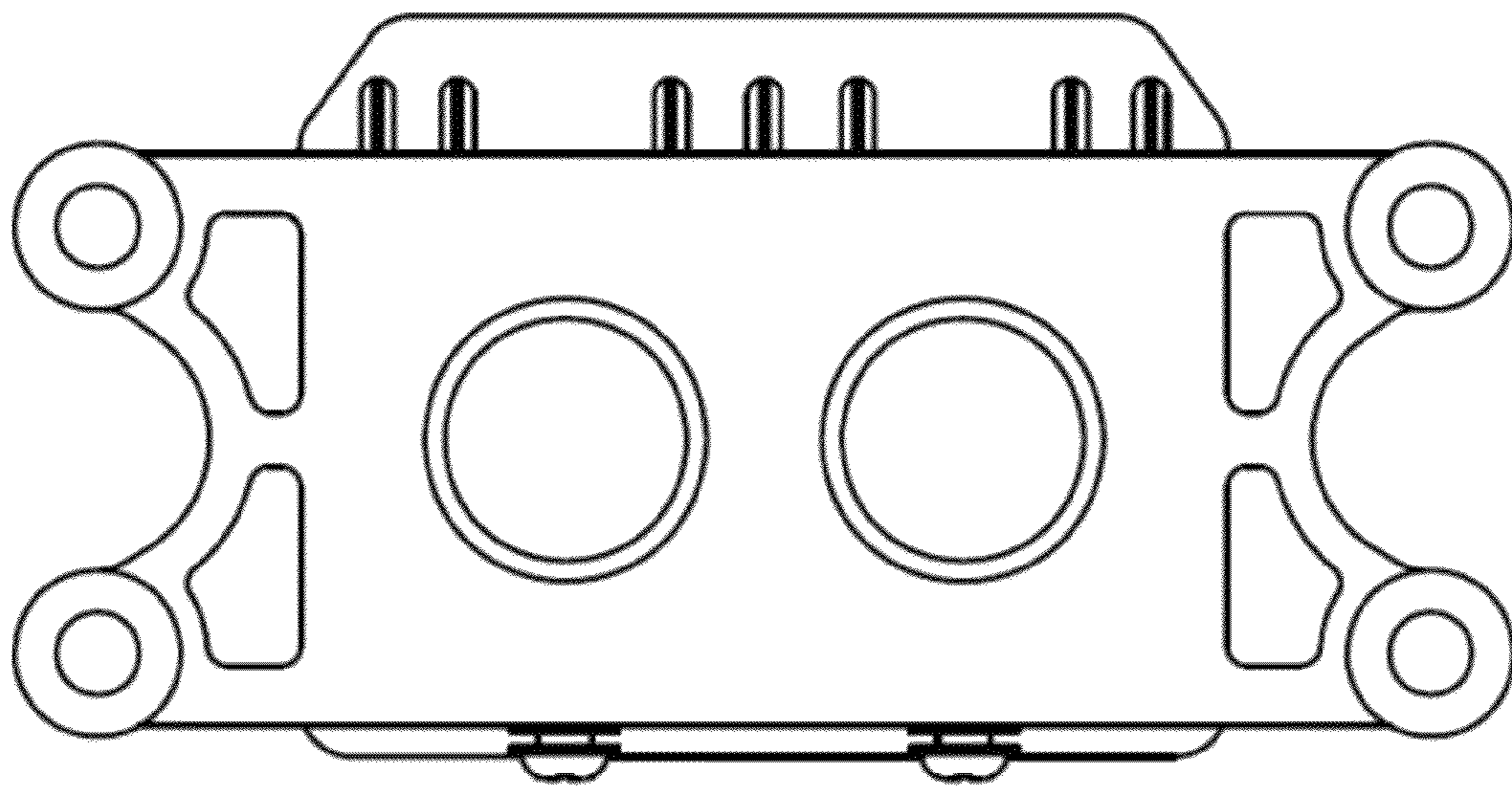


FIG. 7