

US00D660252S

(12) **United States Design Patent**
Hargreaves et al.

(10) **Patent No.:** **US D660,252 S**

(45) **Date of Patent:** **** May 22, 2012**

(54) **ELECTRONIC CONTROLLER BOX**

(75) Inventors: **Craig Hargreaves**, Vancouver, WA (US); **Marty Carskadon**, Vancouver, WA (US)

(73) Assignee: **IP Holdings, LLC**, Vancouver, WA (US)

(**) Term: **14 Years**

(21) Appl. No.: **29/372,955**

(22) Filed: **Feb. 11, 2011**

(51) **LOC (9) Cl.** **13-03**

(52) **U.S. Cl.** **D13/156**

(58) **Field of Classification Search** D13/156,
D13/110, 118, 133, 152, 154, 155, 184, 199;
D14/240, 432; 174/48, 50, 53, 54, 58, 66,
174/67, 481, 488; 220/3.2, 3.3, 3.5, 3.8,
220/4.02, 4.28; 336/65, 67, 90, 92; 361/600,
361/601, 603; 439/535, 536

See application file for complete search history.

(56) **References Cited**

U.S. PATENT DOCUMENTS

3,491,327	A *	1/1970	Goldwater, Jr. et al.	439/135
D254,846	S *	4/1980	Wood	D13/110
D306,430	S *	3/1990	McNutt et al.	D13/156
5,098,046	A *	3/1992	Webb	
D332,942	S *	2/1993	Julien	D13/184
D342,235	S *	12/1993	Shotey	D13/156
D350,532	S *	9/1994	Phelps	D13/184

D383,438	S *	9/1997	Gerber et al.	D13/118
D384,336	S *	9/1997	Gerber et al.	D13/184
5,773,760	A *	6/1998	Stark et al.	174/66
D414,460	S *	9/1999	Hughes	D13/110
D416,232	S *	11/1999	Einck	D13/152
D433,995	S *	11/2000	Romano	D13/110
6,300,564	B1	10/2001	Moraes et al.	
6,549,405	B2	4/2003	Wharton et al.	
6,723,922	B1 *	4/2004	Shotey et al.	174/66
7,054,442	B2	5/2006	Weikle	
D531,961	S *	11/2006	Greenfield	D13/156
7,294,017	B2	11/2007	Scott	
D573,105	S *	7/2008	Richey	D13/156
D601,098	S *	9/2009	Phelps	D13/156

* cited by examiner

Primary Examiner — Derrick Holland

(74) *Attorney, Agent, or Firm* — Robert J. Ireland

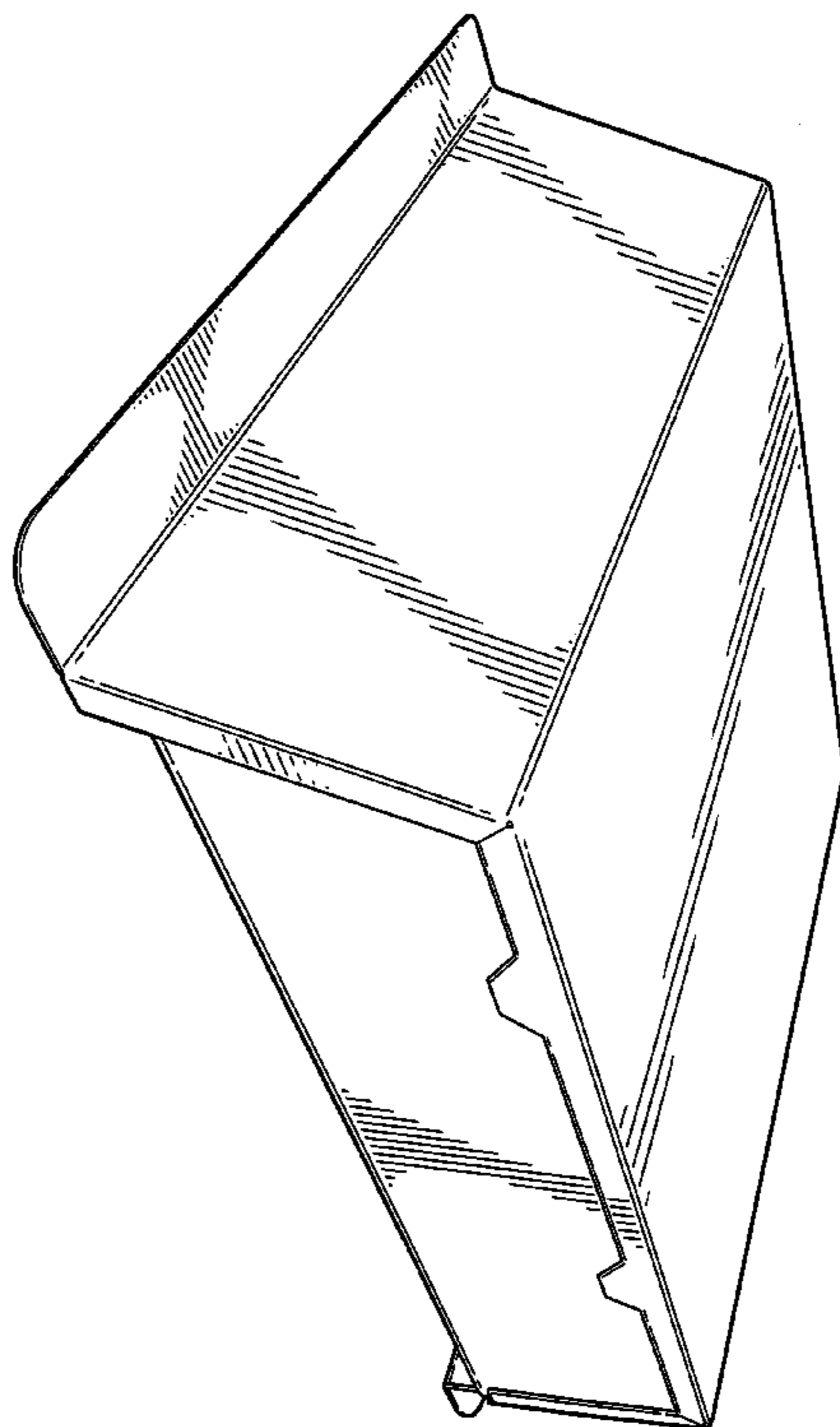
(57) **CLAIM**

The ornamental design for an electronic controller box, as shown and described.

DESCRIPTION

FIG. 1 is a left side perspective view of an electronic controller box showing our new design;
FIG. 2 is a top plan view thereof;
FIG. 3 is a bottom plan view thereof;
FIG. 4 is a right side view thereof;
FIG. 5 is a left side view thereof;
FIG. 6 is a front elevation view thereof; and,
FIG. 7 is a back elevation view thereof.

1 Claim, 5 Drawing Sheets



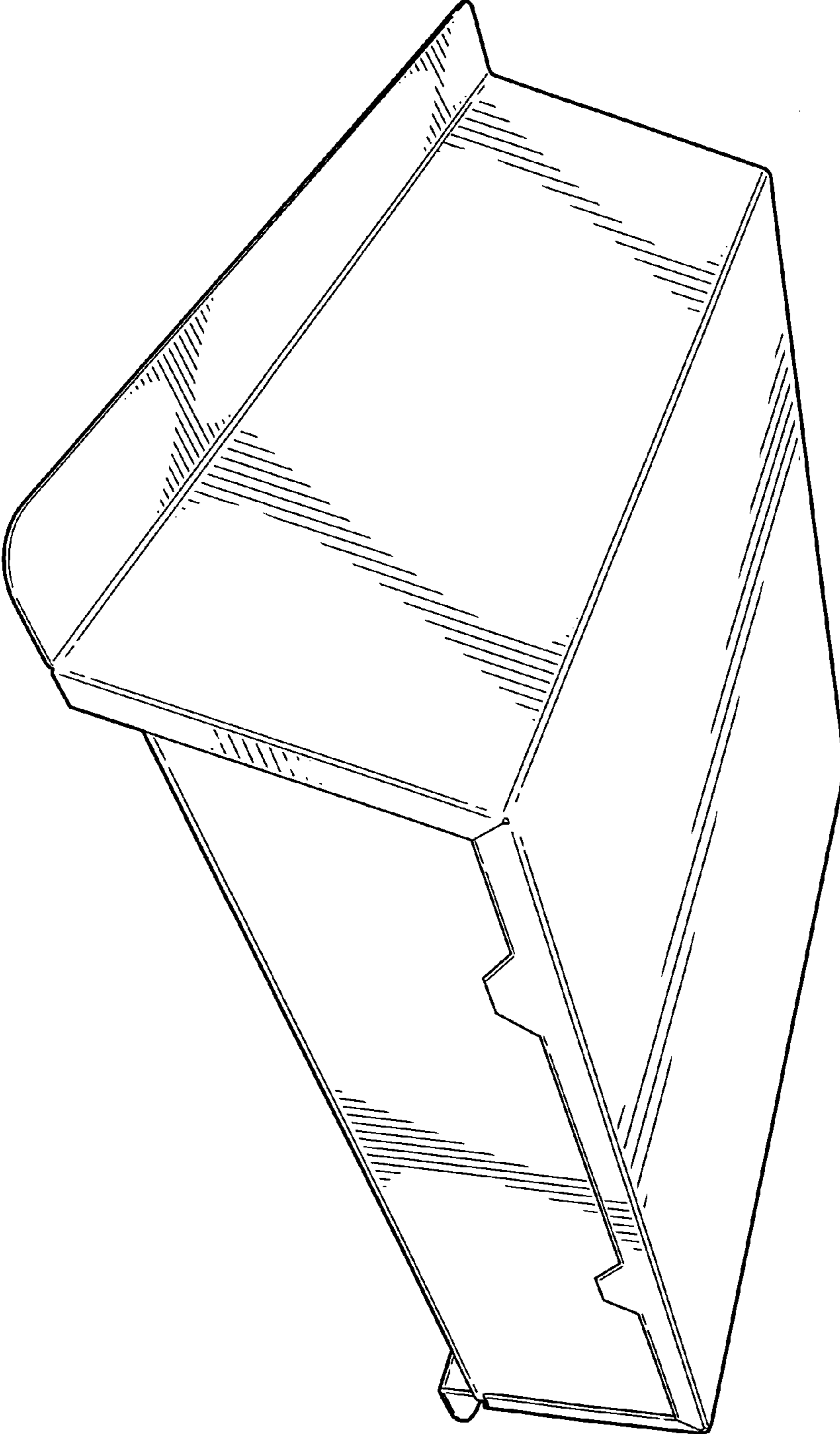


FIG. 1

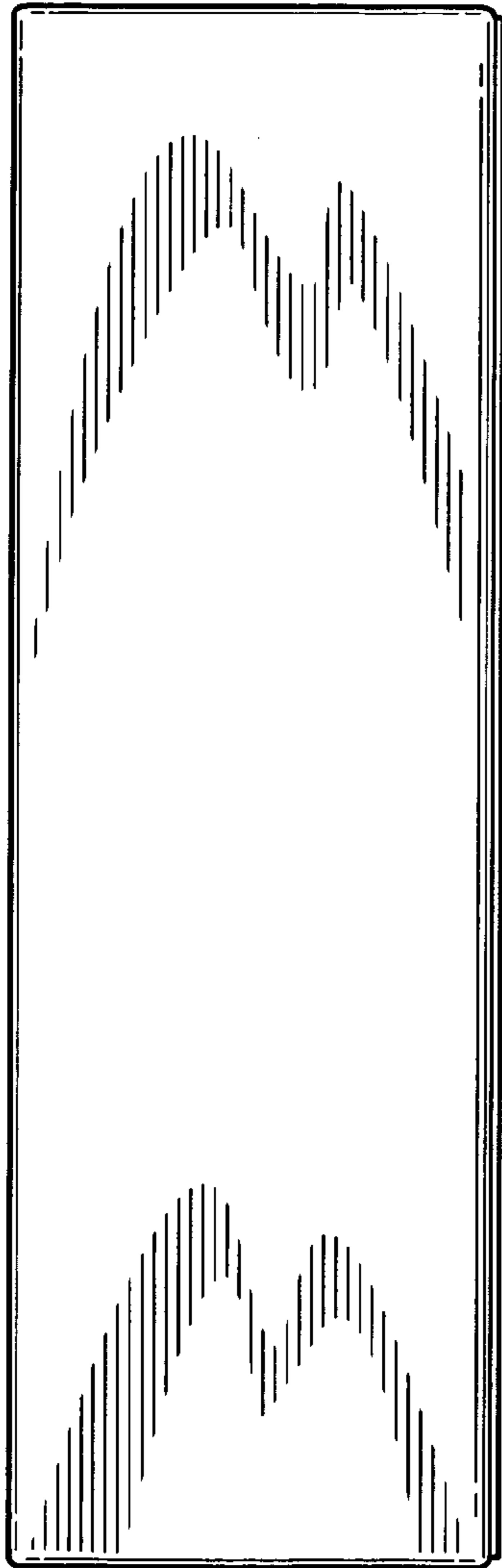


FIG. 2

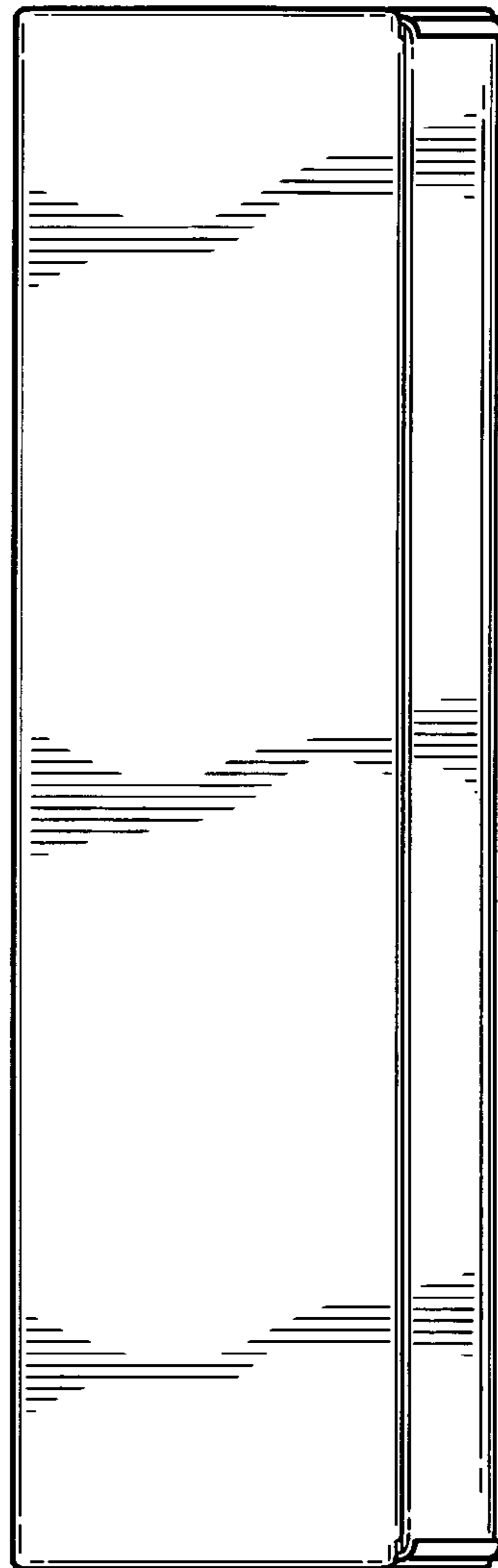


FIG. 3

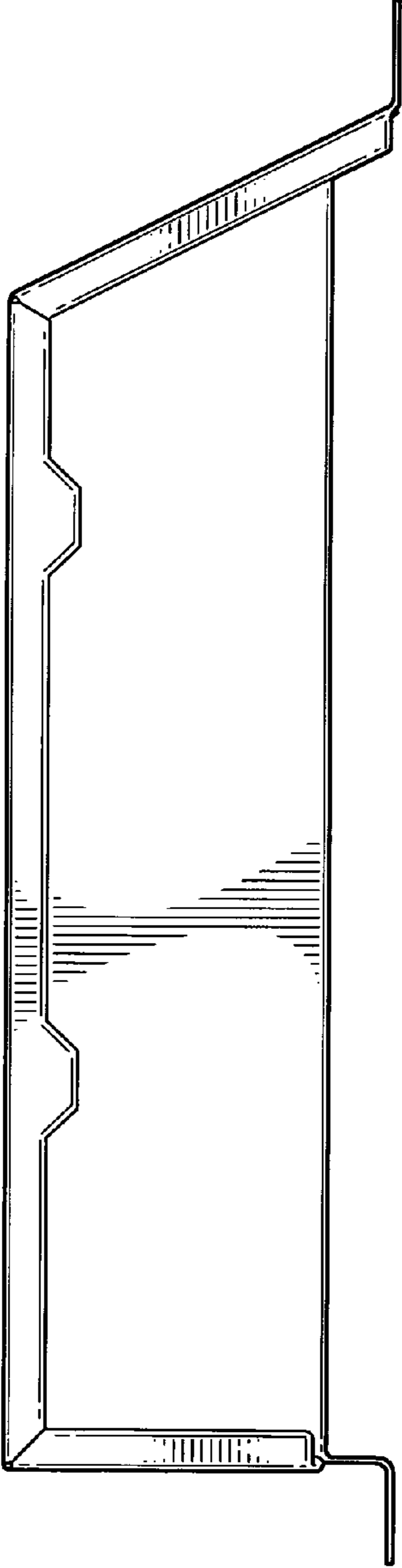


FIG. 4

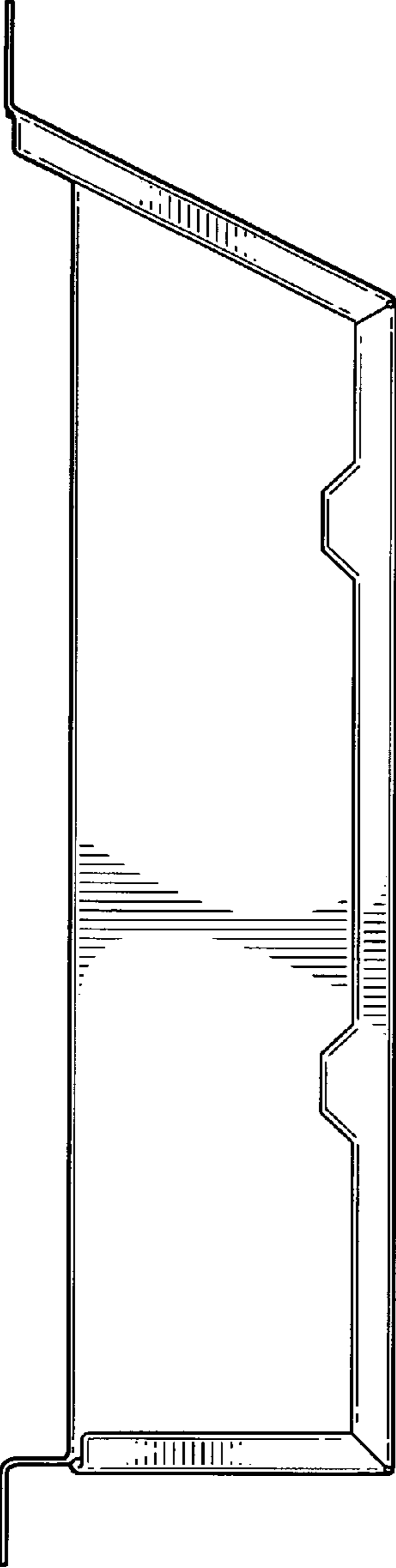


FIG. 5

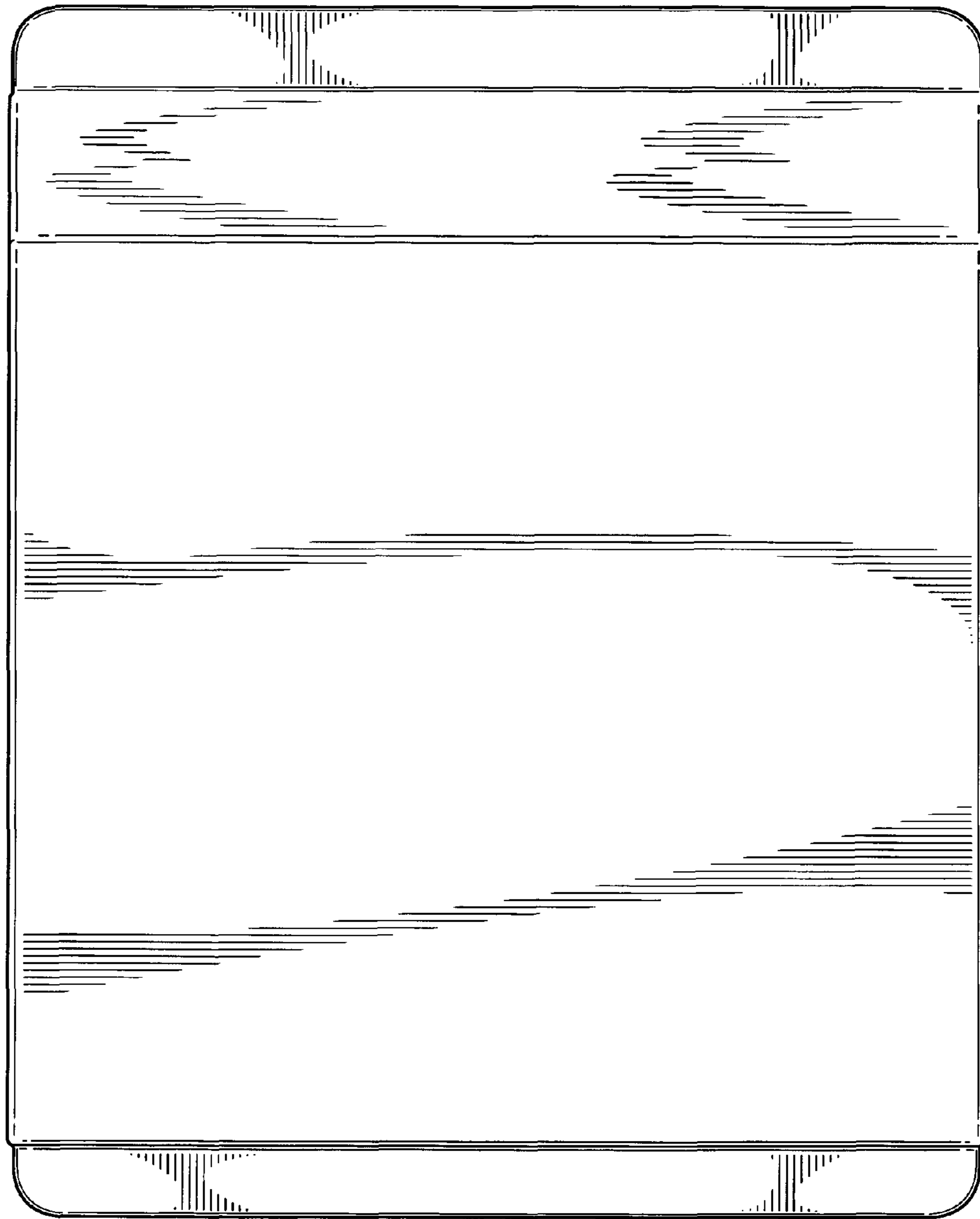


FIG. 6

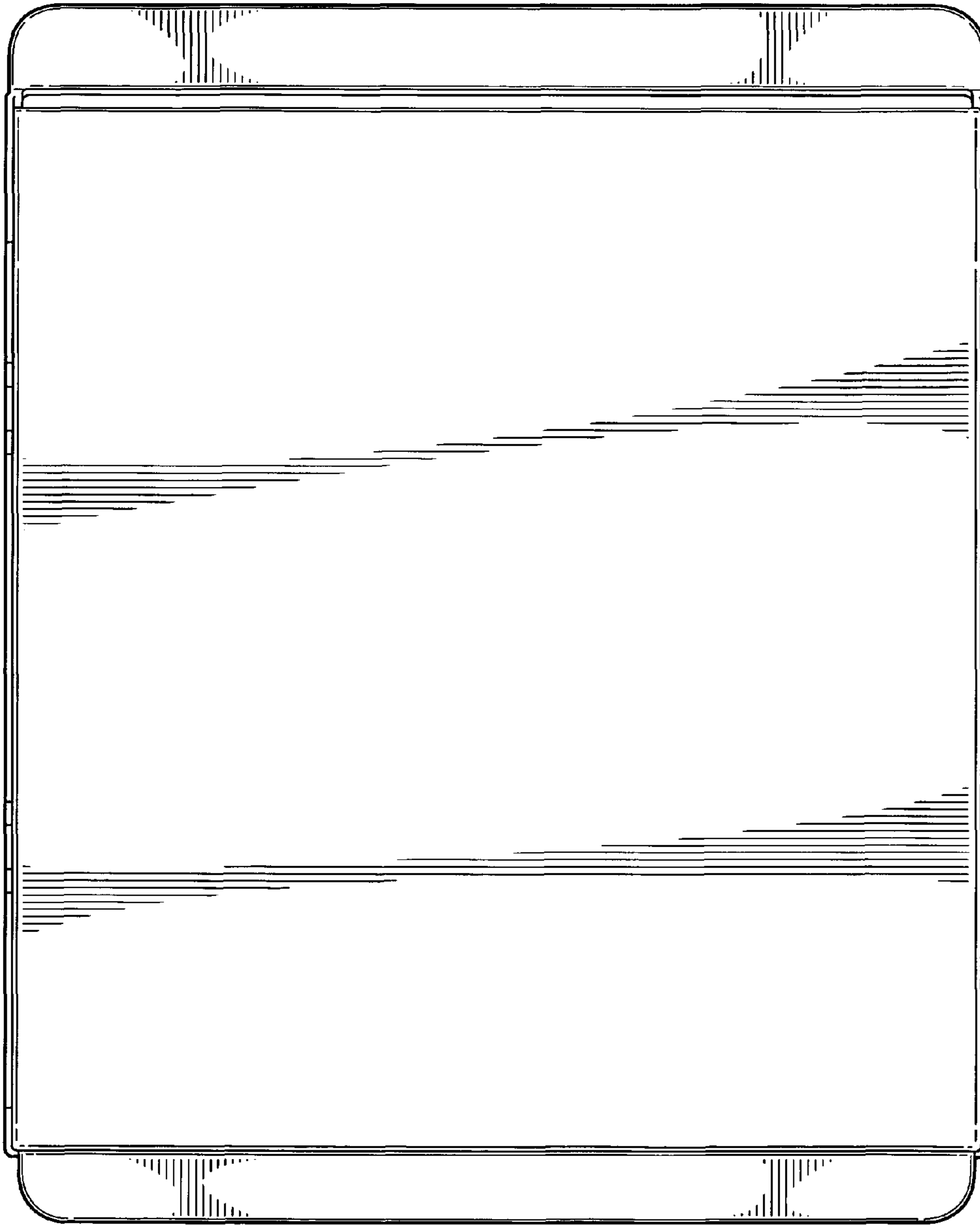


FIG. 7