



US00D660251S

(12) **United States Design Patent**
Liber et al.

(10) **Patent No.:** **US D660,251 S**

(45) **Date of Patent:** **** May 22, 2012**

(54) **END ASSEMBLY FOR ELECTRIC AND COMMUNICATION CABLES**

D471,876 S * 3/2003 Jaag D13/154
D491,534 S * 6/2004 Ko D13/147
D507,242 S * 7/2005 Montena D13/154

* cited by examiner

(76) Inventors: **Adrian Liber**, Jerusalem (IL); **Uri Sharvit**, Jerusalem (IL)

Primary Examiner — Derrick Holland

(**) Term: **14 Years**

(74) *Attorney, Agent, or Firm* — Novak Druce Deluca + Quigg LLP

(21) Appl. No.: **29/366,934**

(57) **CLAIM**

(22) Filed: **Aug. 2, 2010**

The ornamental design for an end assembly for electric and communication cables, as shown and described.

(30) **Foreign Application Priority Data**

DESCRIPTION

Feb. 7, 2010 (IL) 48983

(51) **LOC (9) Cl.** **13-03**

(52) **U.S. Cl.** **D13/155**

(58) **Field of Classification Search** D13/155,
D13/133, 148, 149, 151, 153, 154, 156, 199;
439/121, 122, 207, 211, 246, 252, 380, 492,
439/583, 584, 675, 683

See application file for complete search history.

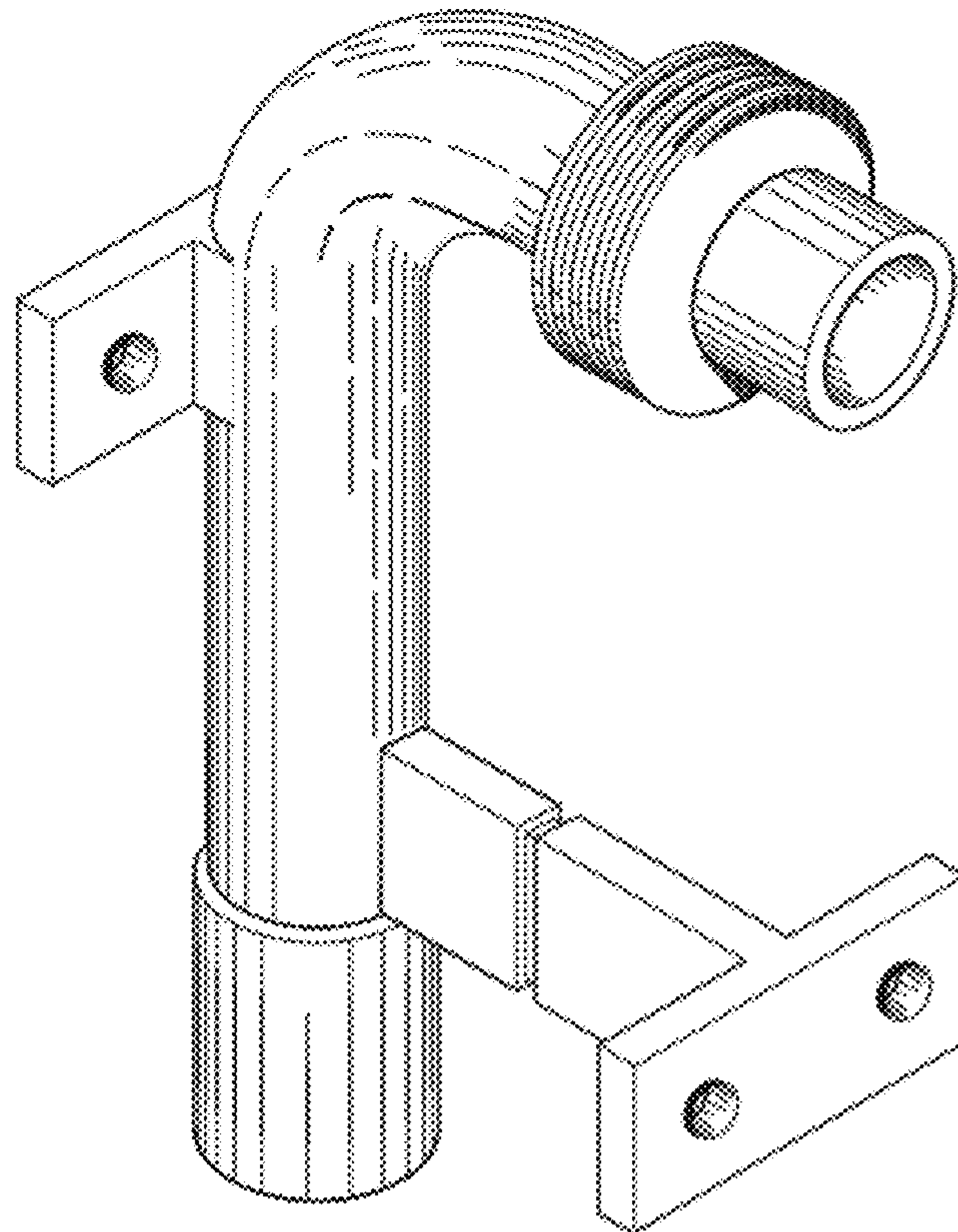
FIG. 1 is a front perspective view of the end assembly for electric and communication cables, showing our new design; FIG. 2 is a rear perspective view of the end assembly for electric and communication cables; FIG. 3 is a front view of the end assembly for electric and communication cables; FIG. 4 is a rear view of the end assembly for electric and communication cables; FIG. 5 is a first side view of the end assembly for electric and communication cables; FIG. 6 is a second side view of the end assembly for electric and communication cables; FIG. 7 is a bottom view of the end assembly for electric and communication cables; and, FIG. 8 is a top view of the end assembly for electric and communication cables.

(56) **References Cited**

U.S. PATENT DOCUMENTS

D275,848 S * 10/1984 Ricossa D13/133
5,645,454 A * 7/1997 Kosmala 439/675
D401,907 S * 12/1998 Gazerro D13/155
D457,142 S * 5/2002 Chang D13/155
D458,592 S * 6/2002 Gust et al. D13/155

1 Claim, 3 Drawing Sheets



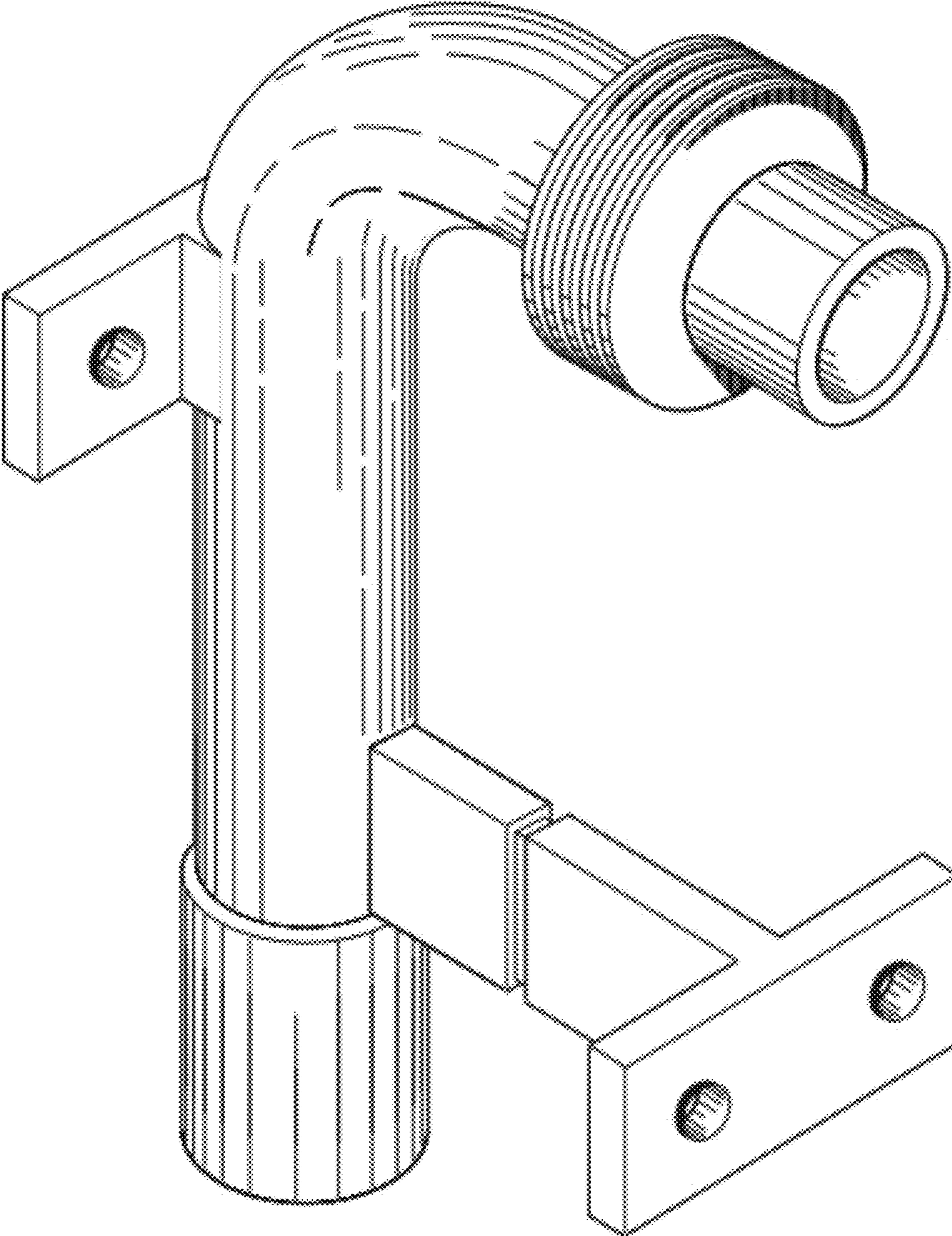


FIG. 1

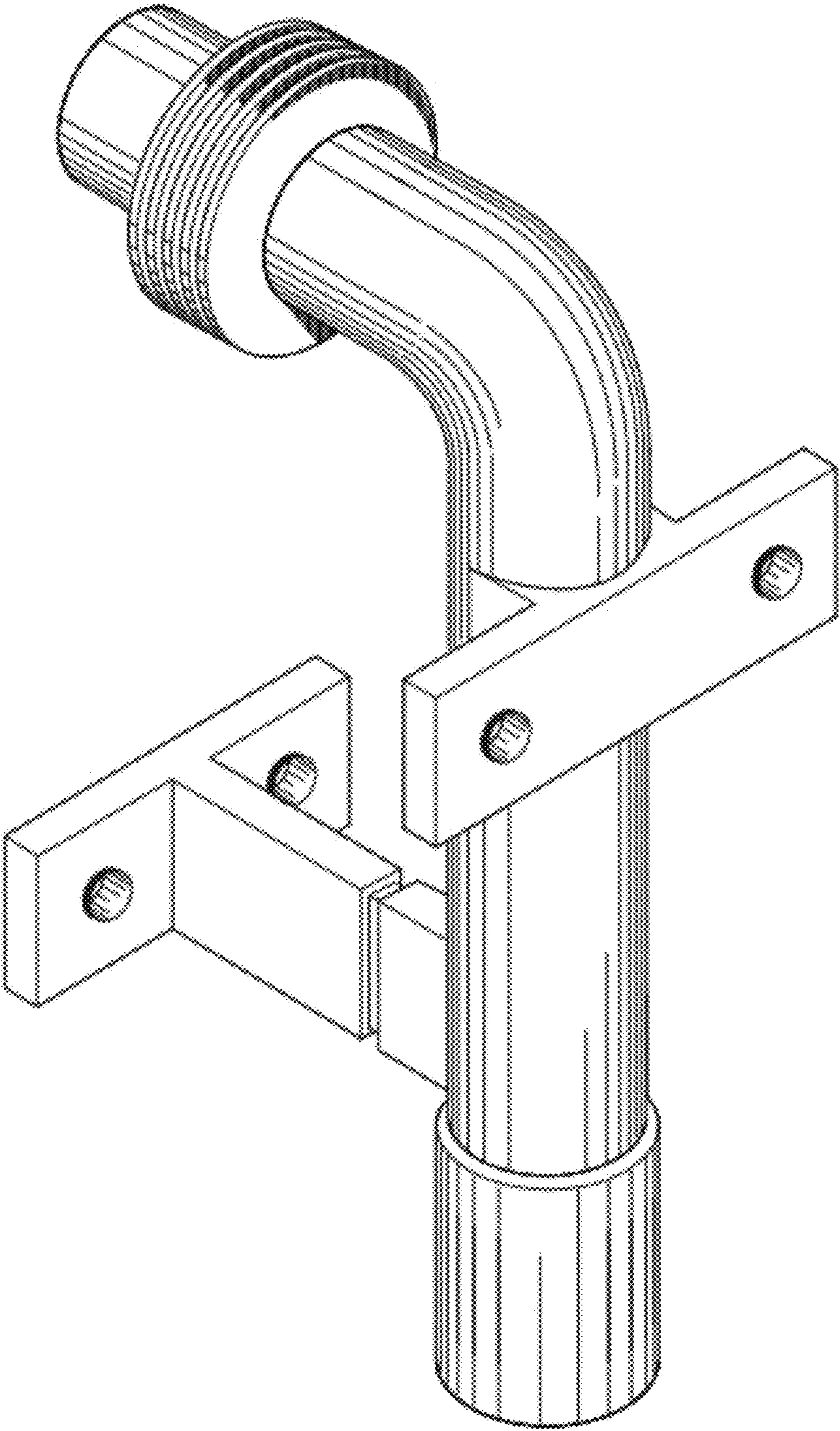


FIG. 2

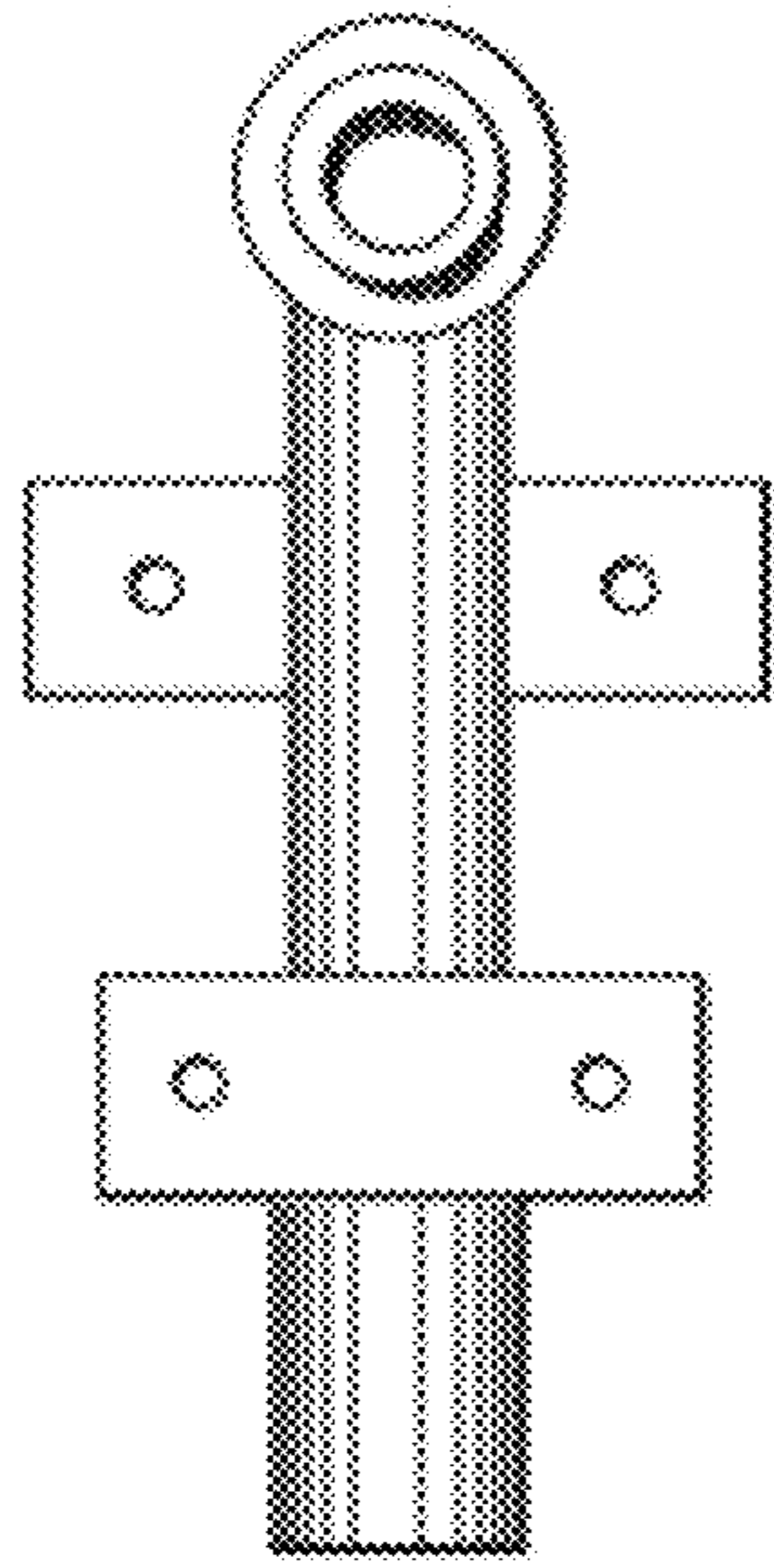


FIG. 3

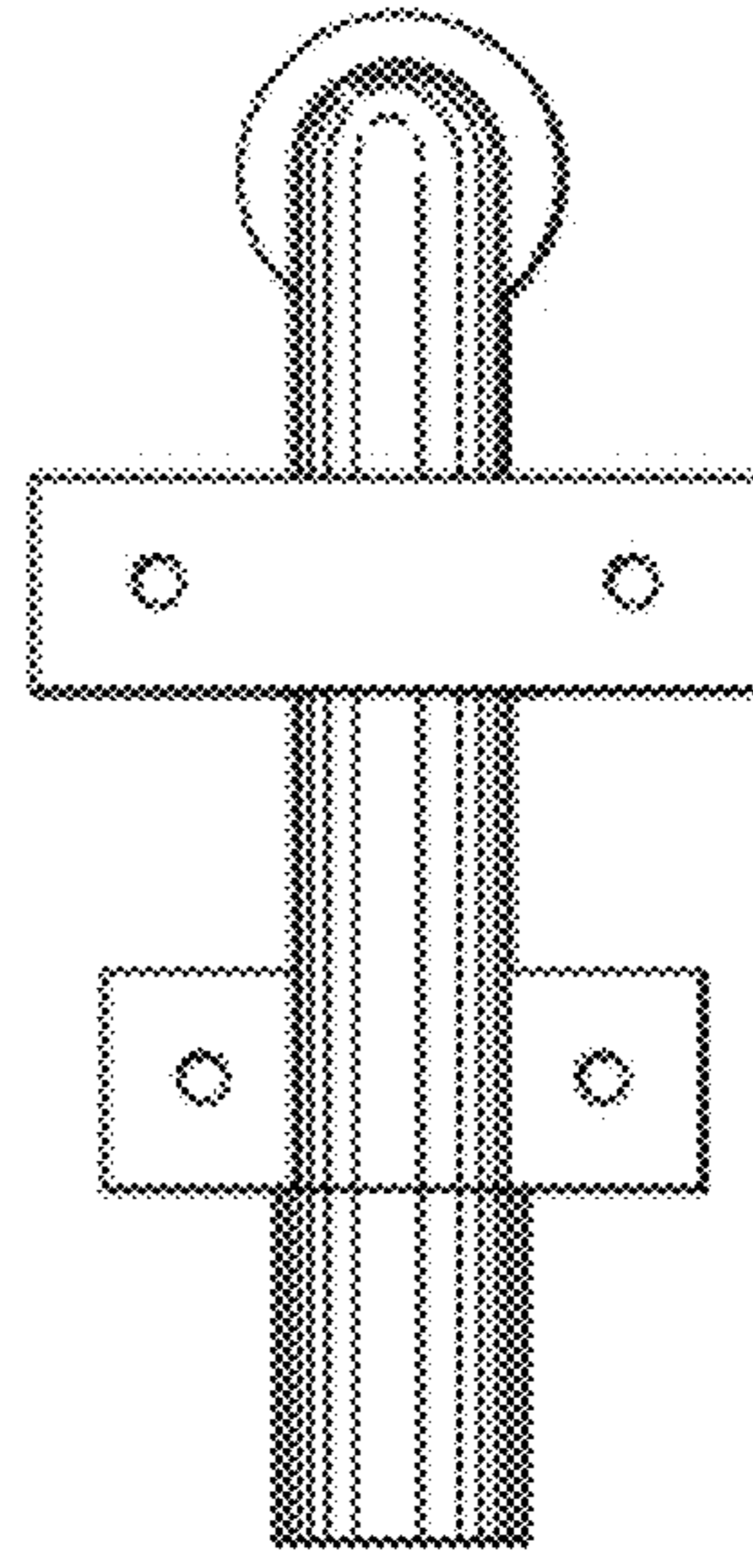


FIG. 4

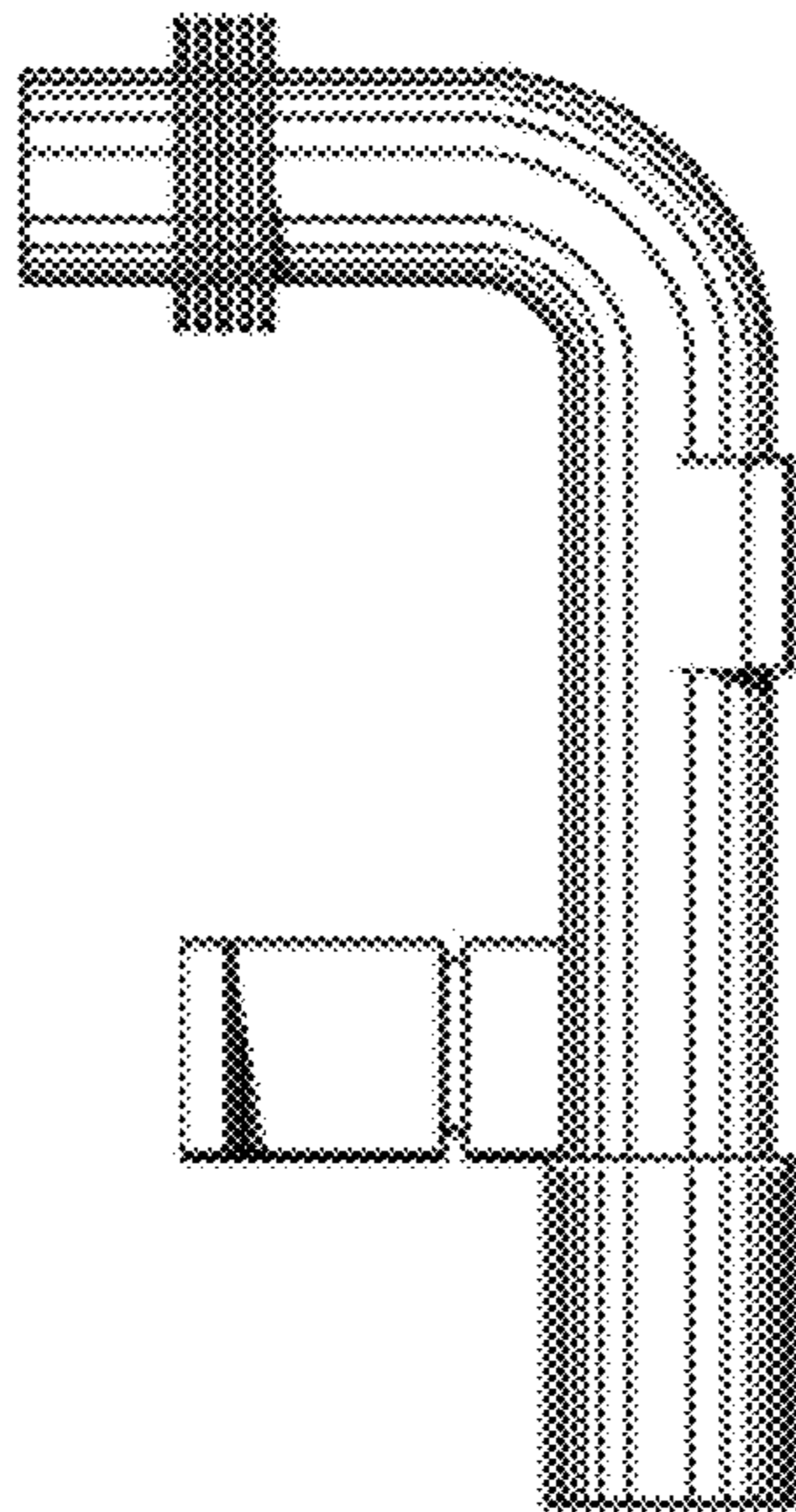


FIG. 5

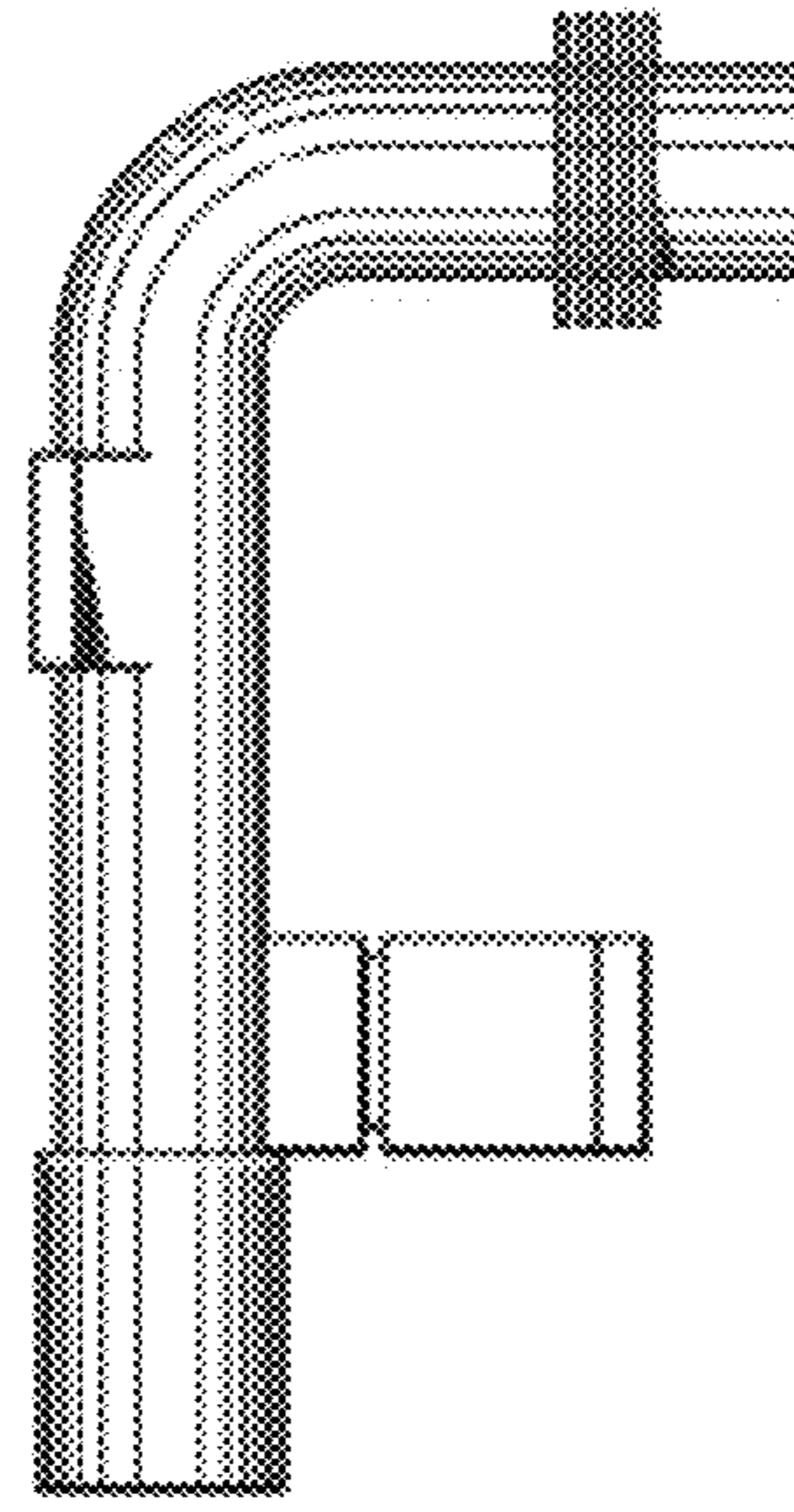


FIG. 6

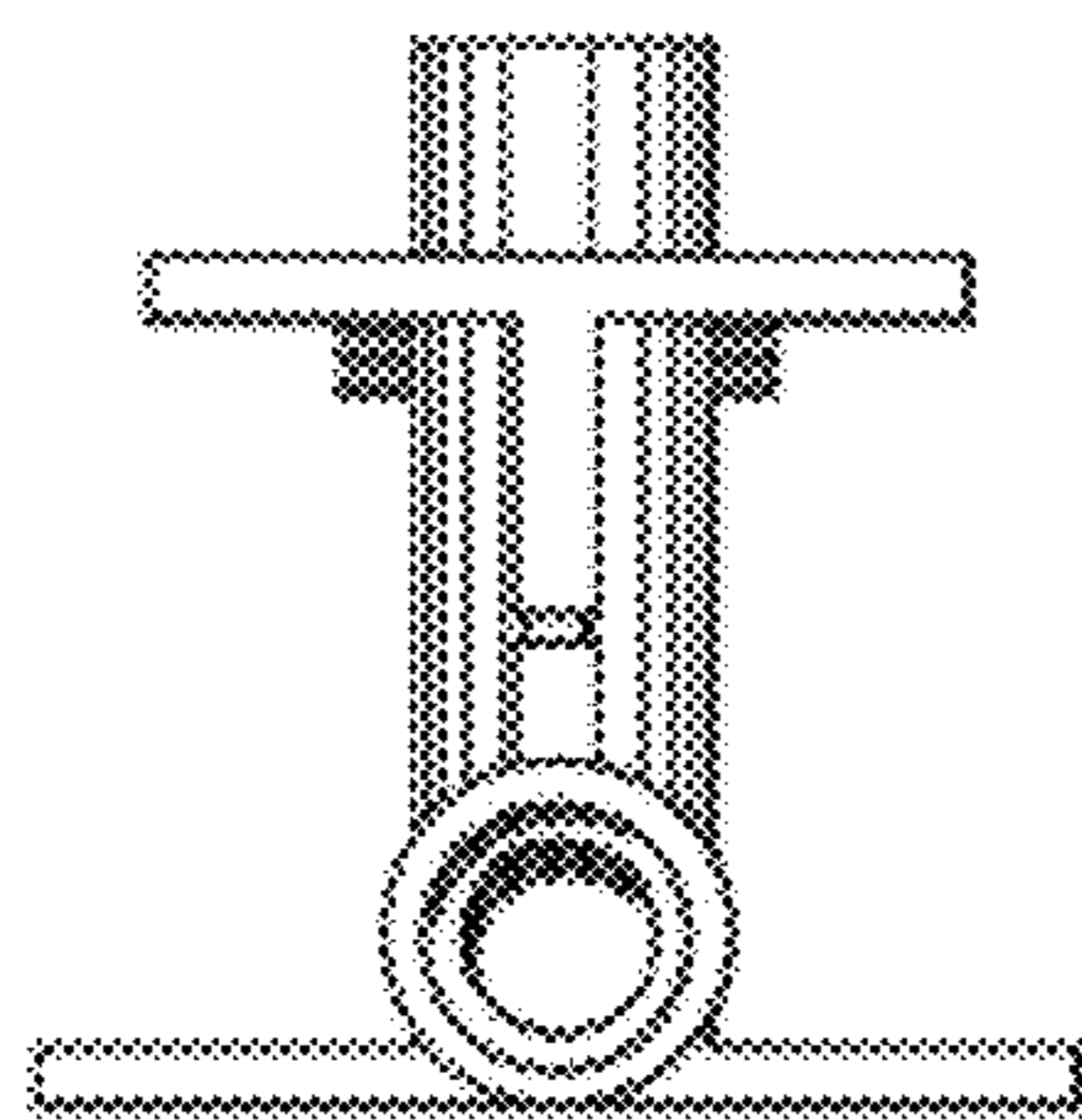


FIG. 7

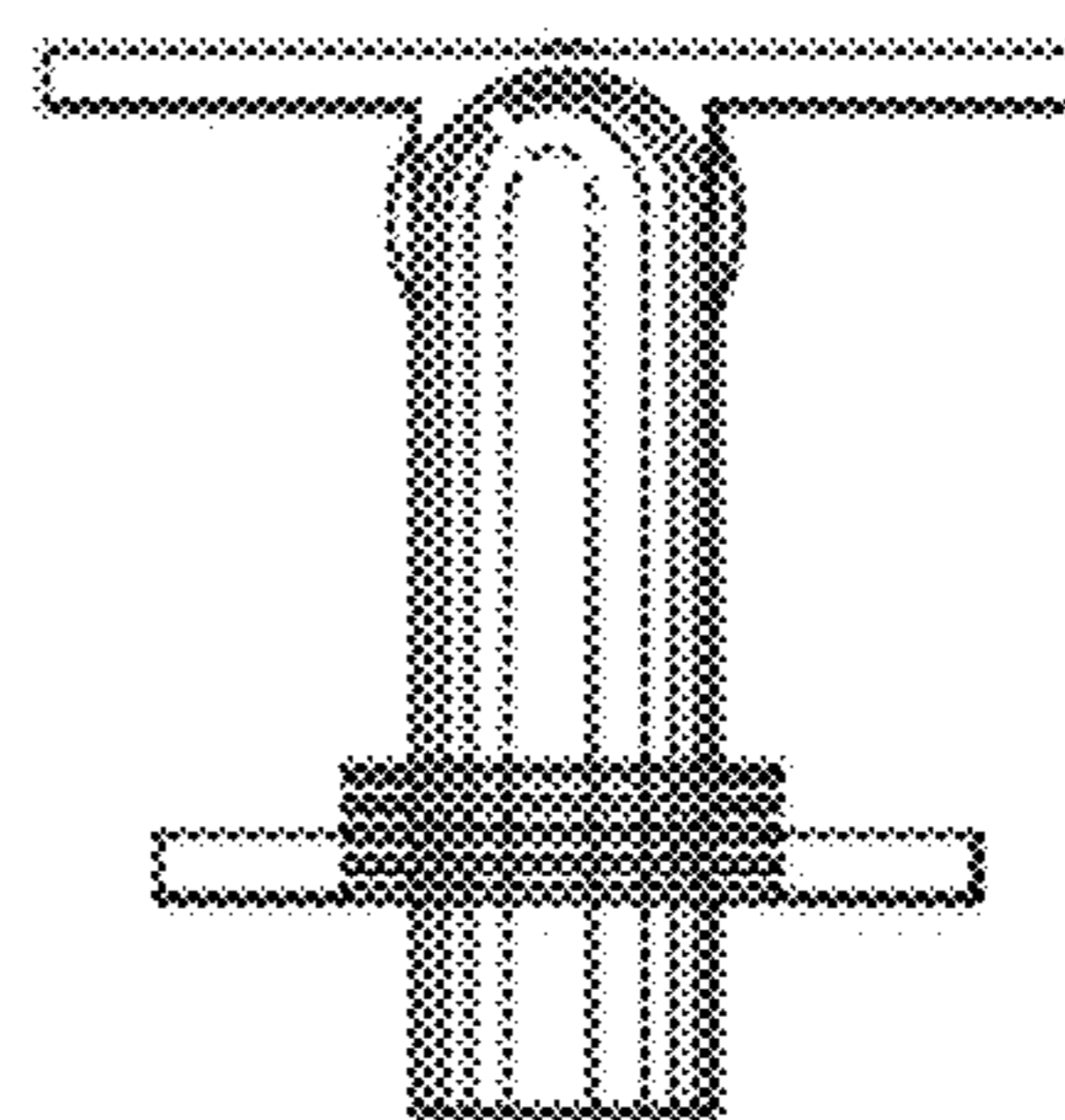


FIG. 8