



US00D660250S

(12) **United States Design Patent**
Martin et al.

(10) **Patent No.:** **US D660,250 S**
(45) **Date of Patent:** **** May 22, 2012**

(54) **CABLE TROUGH**

(75) Inventors: **Kirt Martin**, Alto, MI (US); **David Eberlein**, Hudsonville, MI (US)

(73) Assignee: **Steelcase Inc.**, Grand Rapids, MI (US)

(**) Term: **14 Years**

(21) Appl. No.: **29/362,948**

(22) Filed: **Jun. 2, 2010**

(51) **LOC (9) Cl.** **13-03**

(52) **U.S. Cl.** **D13/155**

(58) **Field of Classification Search** D13/155,
D13/156, 184; D8/354-356, 360.1, 394;
439/207-211, 445-447

See application file for complete search history.

(56) **References Cited**

U.S. PATENT DOCUMENTS

543,053	A	7/1895	Ripking	
D30,207	S *	2/1899	Baker et al.	D13/133
983,903	A	2/1911	Horton	
2,110,466	A	3/1938	Louis	
2,903,316	A	9/1959	Schmidt	
3,170,742	A	2/1965	Berkowitz	
D210,606	S	3/1968	Hamilton et al.	
3,570,682	A	3/1971	Elliott	
D221,238	S	7/1971	Gianfagna	
3,680,942	A	8/1972	Davis	
3,827,377	A	8/1974	Aughtry, Jr.	
3,892,189	A	7/1975	Killam	
3,913,498	A	10/1975	Hall et al.	
4,138,952	A	2/1979	Hodson	
4,297,952	A	11/1981	Zagaroli	
4,422,385	A	12/1983	Rutsche et al.	
4,734,826	A	3/1988	Wilson et al.	

(Continued)

FOREIGN PATENT DOCUMENTS

DE 19733435 4/1999

(Continued)

OTHER PUBLICATIONS

U.S. Patent Office Notice of Allowance for U.S. Appl. No. 29/362,943, dated May 18, 2011.

(Continued)

Primary Examiner — Daniel Bui

(74) *Attorney, Agent, or Firm* — Quarles & Brady LLP

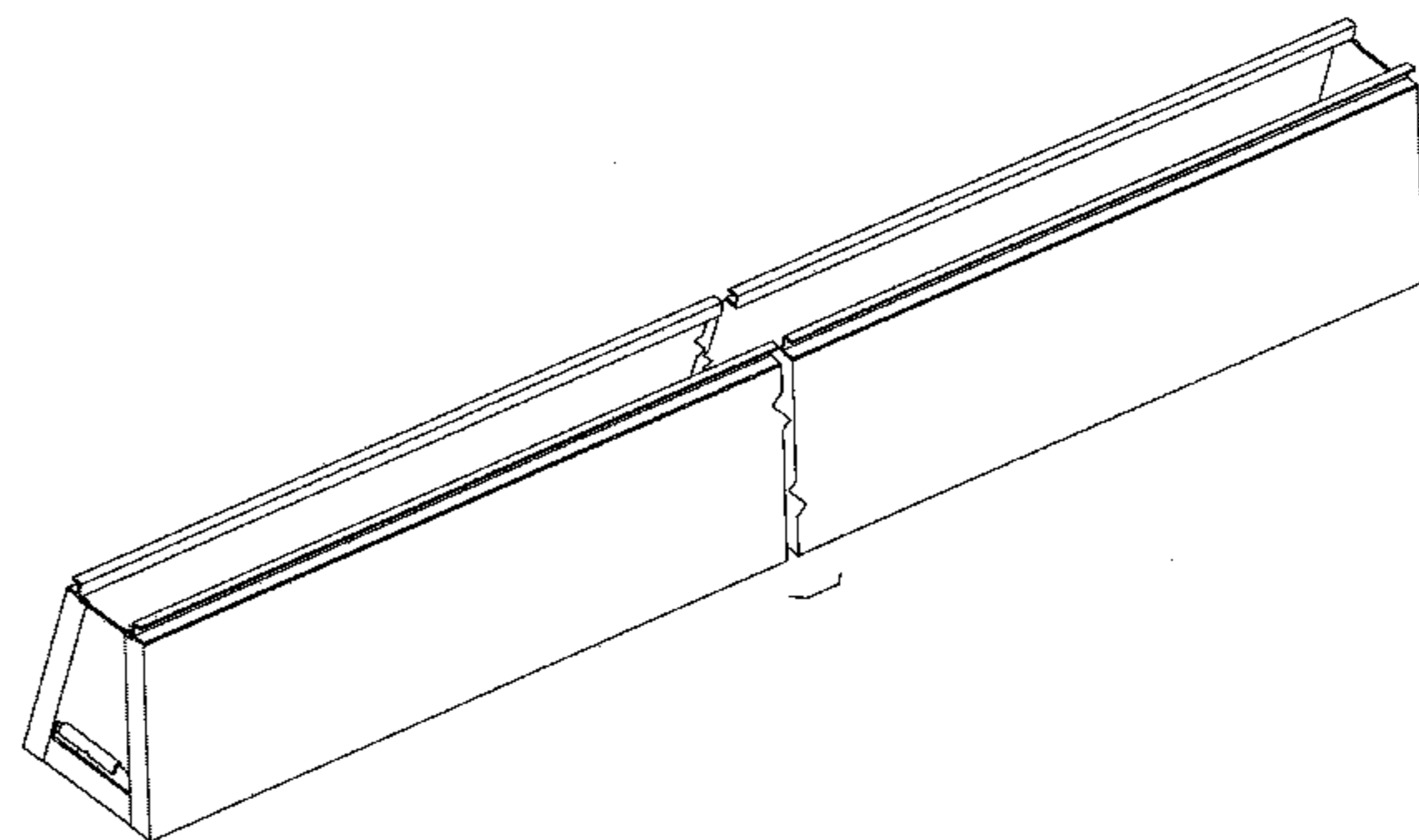
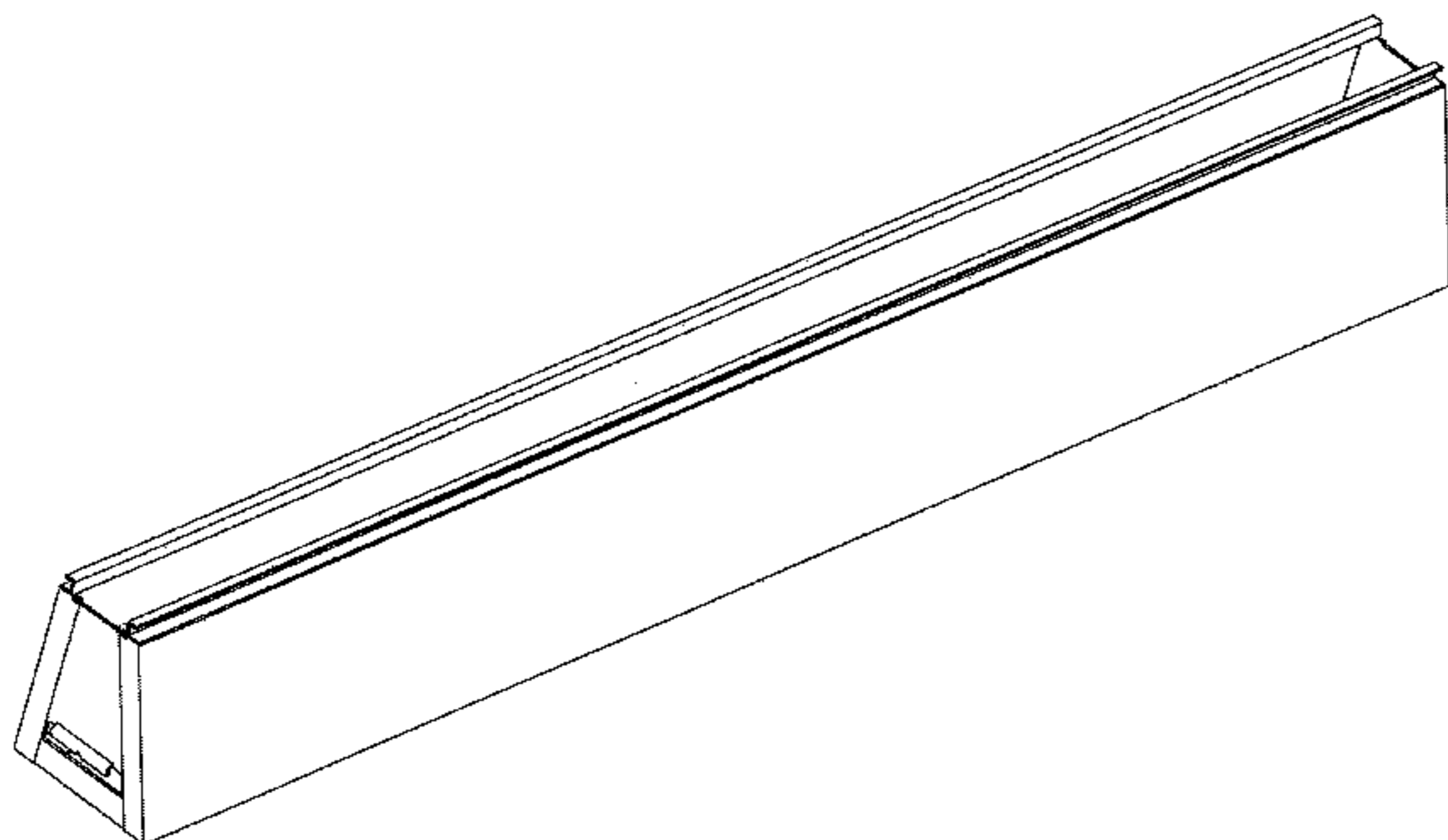
(57) **CLAIM**

The ornamental design for a cable trough, as shown and described.

DESCRIPTION

FIG. 1 is a left, top, front perspective view of a first embodiment of a cable trough showing our new design; FIG. 2 is a front elevational view thereof, the rear elevational view thereof being a mirror image of the front shown; FIG. 3 is a left side elevational view thereof, the right side elevational view thereof being a mirror image of the left side shown. FIG. 4 is a top plan view thereof; FIG. 5 is bottom plan view thereof; FIG. 6 is a left, top, front perspective view of a second embodiment of a cable trough showing our new design; FIG. 7 is a front elevational view thereof, the rear elevational view thereof being a mirror image of the front shown; FIG. 8 is a left side elevational view thereof, the right side elevational view thereof being a mirror image of the left side shown. FIG. 9 is a top plan view thereof; and, FIG. 10 is bottom plan view thereof. The broken line representations in FIGS. 1 and 6 show unclaimed environment only and thus form no part of the claimed design.

1 Claim, 6 Drawing Sheets



US D660,250 S

Page 2

U.S. PATENT DOCUMENTS

4,761,931 A 8/1988 Schrunk
4,762,072 A 8/1988 Boundy et al.
4,951,782 A 8/1990 Hanson
D312,541 S 12/1990 Wright
D322,133 S 12/1991 Corneau et al.
5,078,055 A 1/1992 Bellini et al.
5,103,741 A 4/1992 Grund et al.
5,220,871 A 6/1993 Grund et al.
5,322,022 A 6/1994 Burkholder
5,323,695 A 6/1994 Borgman et al.
5,341,749 A 8/1994 Noakes
D352,791 S * 11/1994 Manaras D25/136
5,469,794 A 11/1995 Laderoute et al.
D370,205 S * 5/1996 Collins D13/155
D371,703 S 7/1996 Muller-Deisig et al.
D379,278 S 5/1997 Zeinfeld et al.
D379,887 S 6/1997 Muller-Deisig et al.
5,662,298 A 9/1997 Collins
5,754,995 A 5/1998 Behrendt
5,881,500 A 3/1999 Latino et al.
6,000,343 A 12/1999 Laney
6,059,071 A 5/2000 Appezzato
6,161,486 A 12/2000 Boots
D439,565 S * 3/2001 Lindborg D13/155
D443,198 S * 6/2001 Snyder D8/354
6,283,043 B1 9/2001 Stern et al.
6,302,035 B1 10/2001 Frenkler et al.
6,336,414 B1 1/2002 Stewart et al.
D460,639 S 7/2002 Crinion
D467,453 S 12/2002 Kwon
6,725,784 B2 4/2004 Crinion
7,370,907 B2 5/2008 Leong
D585,218 S 1/2009 Hamilton et al.
D604,063 S 11/2009 Oshinomi et al.
7,703,398 B2 4/2010 Brauning et al.
D641,186 S 7/2011 Martin et al.
2008/0224580 A1 9/2008 Gibbs et al.

FOREIGN PATENT DOCUMENTS

JP 2004-275314 10/2004
WO 2005-001219 1/2005
WO 2009-052656 4/2009

OTHER PUBLICATIONS

U.S. Appl. No. 29/362,944, filed Jun. 2, 2010.
U.S. Office Action (Election) for U.S. Appl. No. 29/362,944, dated Jun. 8, 2011.
Response to U.S. Office Action (Election) for U.S. Appl. No. 29/362,944, dated Aug. 8, 2011.
U.S. Appl. No. 29/362,952, dated Jun. 2, 2010.
U.S. Patent Office Non-Final Rejection for U.S. Appl. No. 29/362,952, dated Jul. 13, 2011.
Response to U.S. Patent Office Non-Final Rejection for U.S. Appl. No. 29/362,952, dated Aug. 26, 2011.
U.S. Appl. No. 29/362,955, filed Jun. 2, 2010.
U.S. Office Action (Election) for U.S. Appl. No. 29/362,955, dated Jun. 8, 2011.
Response to U.S. Office Action (Election) for U.S. Appl. No. 29/362,955, dated Aug. 8, 2011.
U.S. Appl. No. 29/362,958, filed Jun. 2, 2010.
U.S. Office Action (Election) for U.S. Appl. No. 29/362,958, dated Jun. 14, 2011.
Response to U.S. Office Action (Election) for U.S. Appl. No. 29/362,958, dated Aug. 11, 2011.
U.S. Appl. No. 29/362,963, filed Jun. 2, 2010.
U.S. Patent Office Non-Final Rejection for U.S. Appl. No. 29/362,963, dated Jul. 13, 2011.
Response to U.S. Patent Office Non-Final Rejection for U.S. Appl. No. 29/362,963, dated Aug. 30, 2011.

* cited by examiner

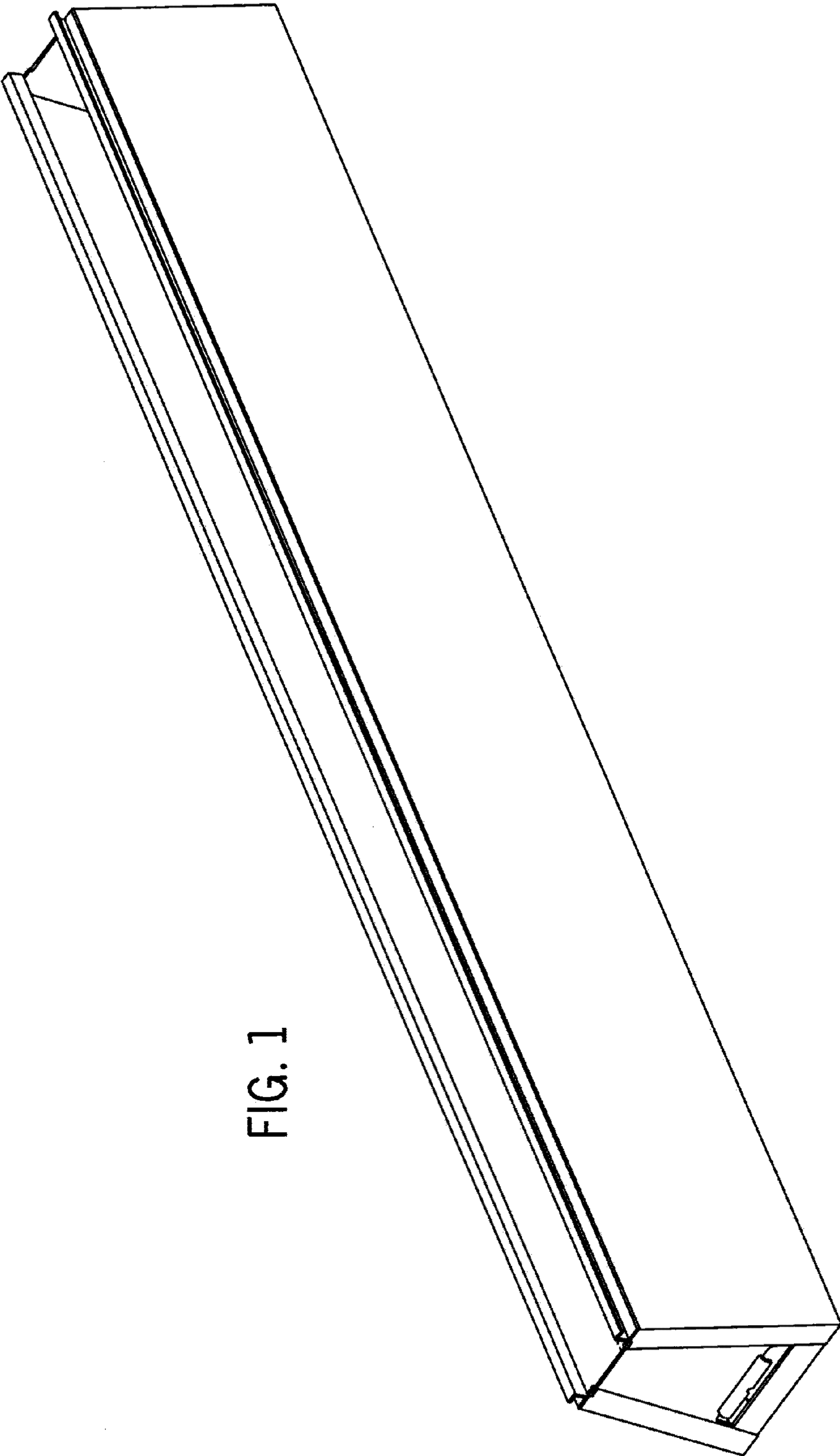


FIG. 1

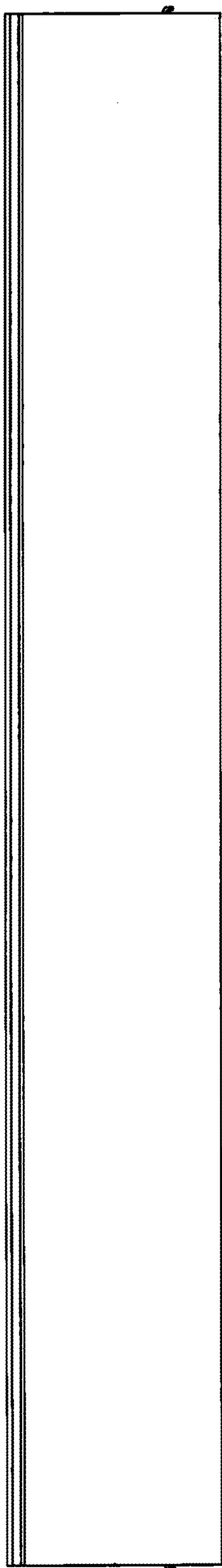


FIG. 2

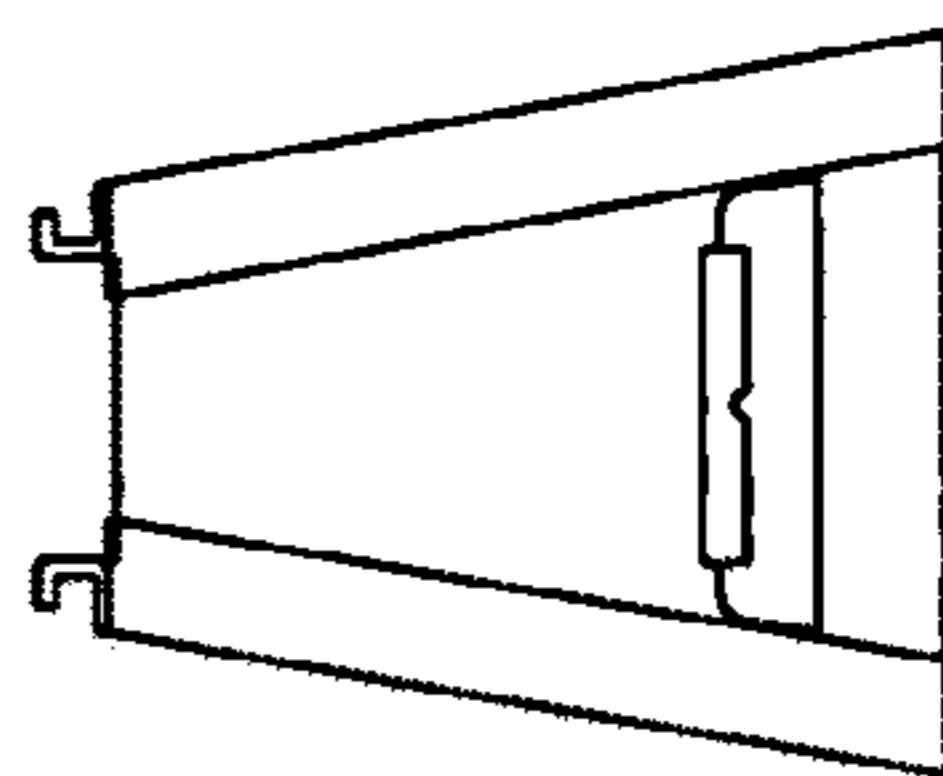


FIG. 3

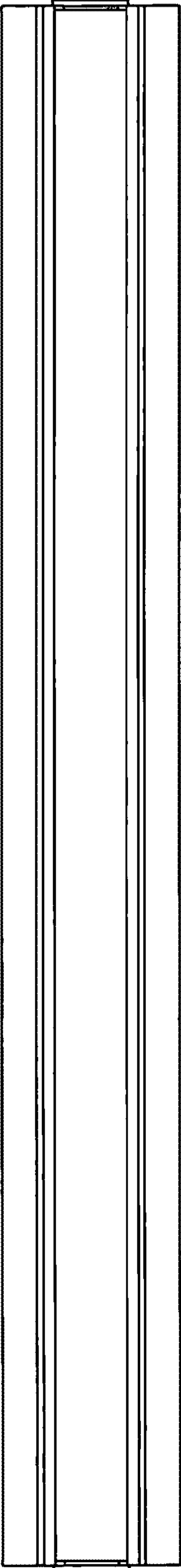


FIG. 4

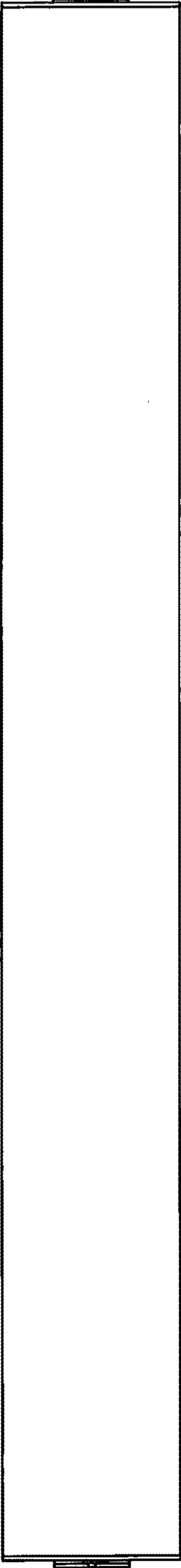


FIG. 5

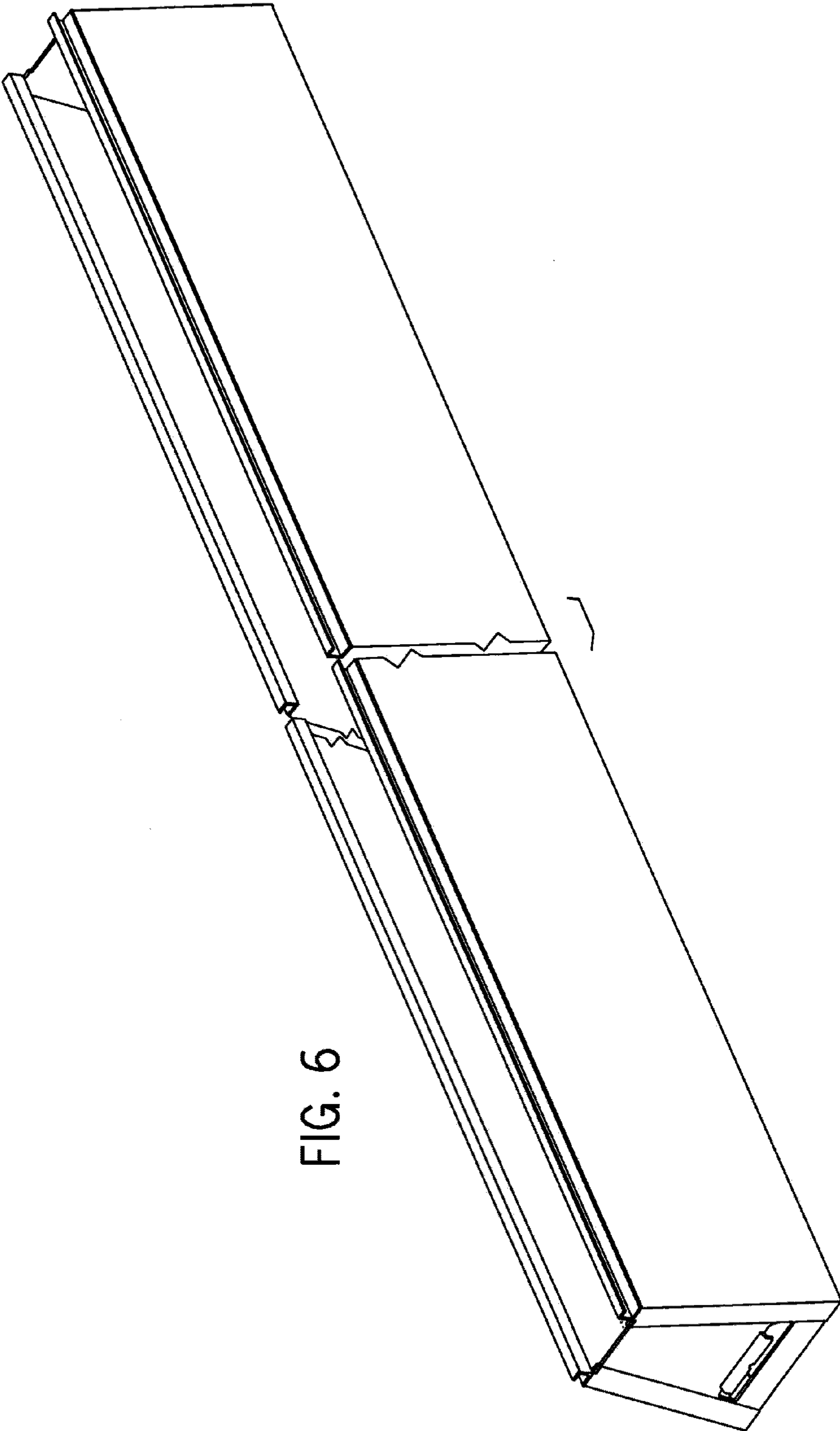


FIG. 6

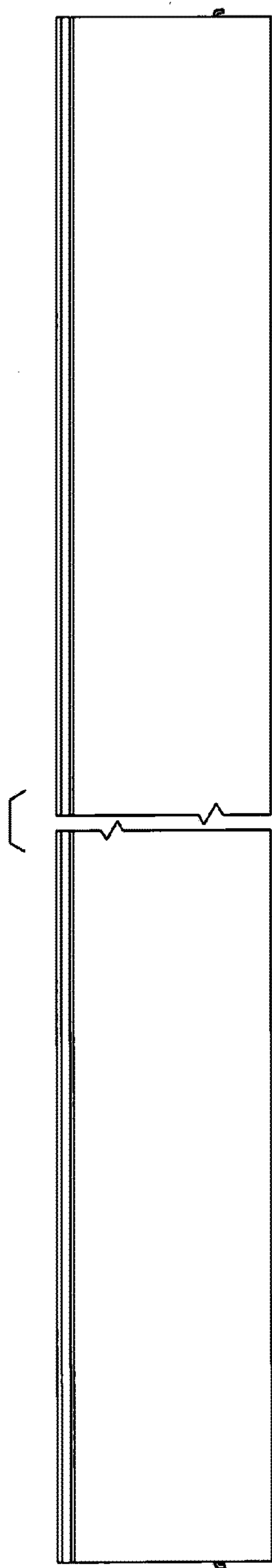


FIG. 7

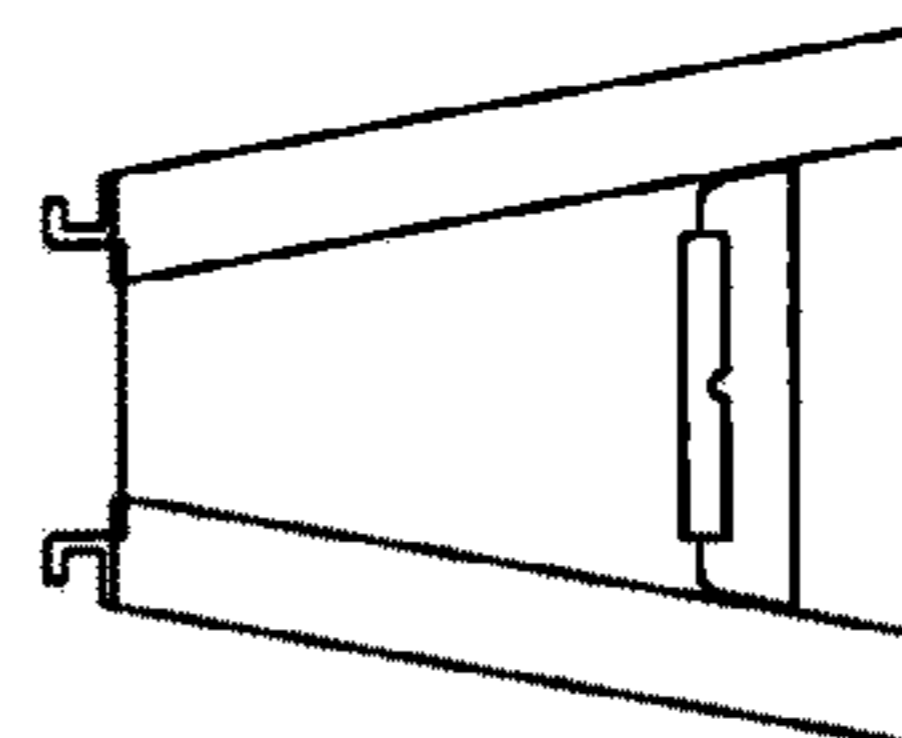


FIG. 8

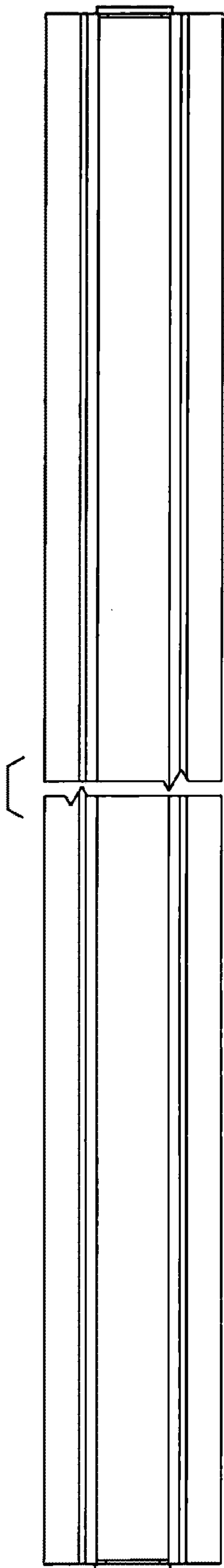


FIG. 9

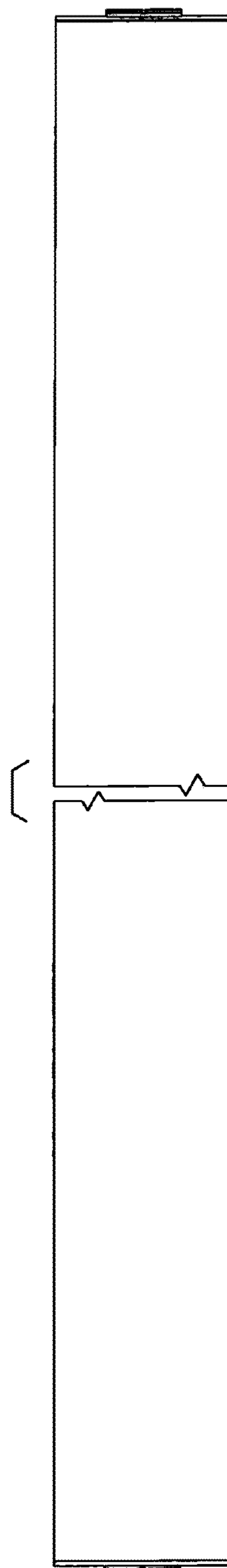


FIG. 10