



US00D660249S

(12) **United States Design Patent**  
**Chen et al.**

(10) **Patent No.:** **US D660,249 S**

(45) **Date of Patent:** **\*\* May 22, 2012**

(54) **CONNECTOR CONTACT**

(75) Inventors: **Ping-Chih Chen**, New Taipei (TW);  
**Hong-Tu Zhang**, Guang-Dong (CN);  
**Ming-Chiang Chen**, New Taipei (TW)

(73) Assignee: **Cheng Uei Precision Industry Co., Ltd.**, New Taipei (TW)

(\*\*) Term: **14 Years**

(21) Appl. No.: **29/404,025**

(22) Filed: **Oct. 13, 2011**

(51) **LOC (9) Cl.** ..... **13-03**

(52) **U.S. Cl.** ..... **D13/154**

(58) **Field of Classification Search** ..... D13/120,  
D13/133, 146, 147, 154, 184, 199; 439/839,  
439/849-850, 852, 862, 870, 877, 884-885,  
439/887-891

See application file for complete search history.

(56) **References Cited**

U.S. PATENT DOCUMENTS

D555,093 S \* 11/2007 Chien et al. .... D13/133  
D555,095 S \* 11/2007 Ho ..... D13/133

D569,801 S \* 5/2008 Chuang ..... D13/133  
D624,027 S \* 9/2010 Huang et al. .... D13/154  
D627,304 S \* 11/2010 Huang et al. .... D13/154  
D642,981 S \* 8/2011 De Bruijn et al. .... D13/120  
D644,177 S \* 8/2011 De Bruijn et al. .... D13/120  
D645,410 S \* 9/2011 Liu et al. .... D13/154

\* cited by examiner

*Primary Examiner* — Daniel Bui

(74) *Attorney, Agent, or Firm* — Cheng-Ju Chiang

(57) **CLAIM**

The ornamental design for a connector contact, as shown and described.

**DESCRIPTION**

FIG. 1 is a perspective view of a connector contact showing our new design;

FIG. 2 is a front elevational view thereof;

FIG. 3 is a rear elevational view thereof;

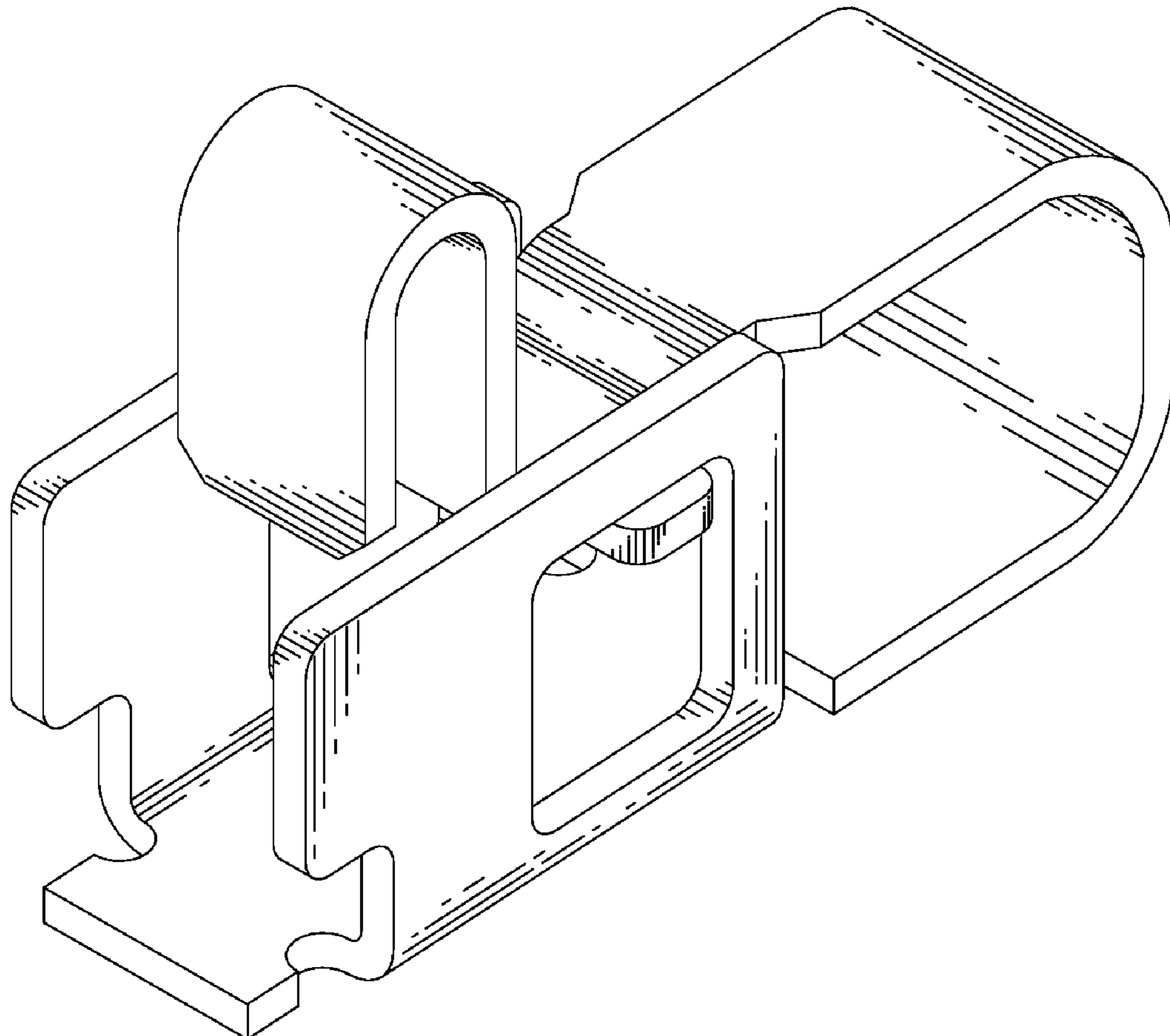
FIG. 4 is a left side elevational view thereof;

FIG. 5 is a right side elevational view thereof;

FIG. 6 is a top plan view thereof; and,

FIG. 7 is a bottom plan view thereof.

**1 Claim, 7 Drawing Sheets**



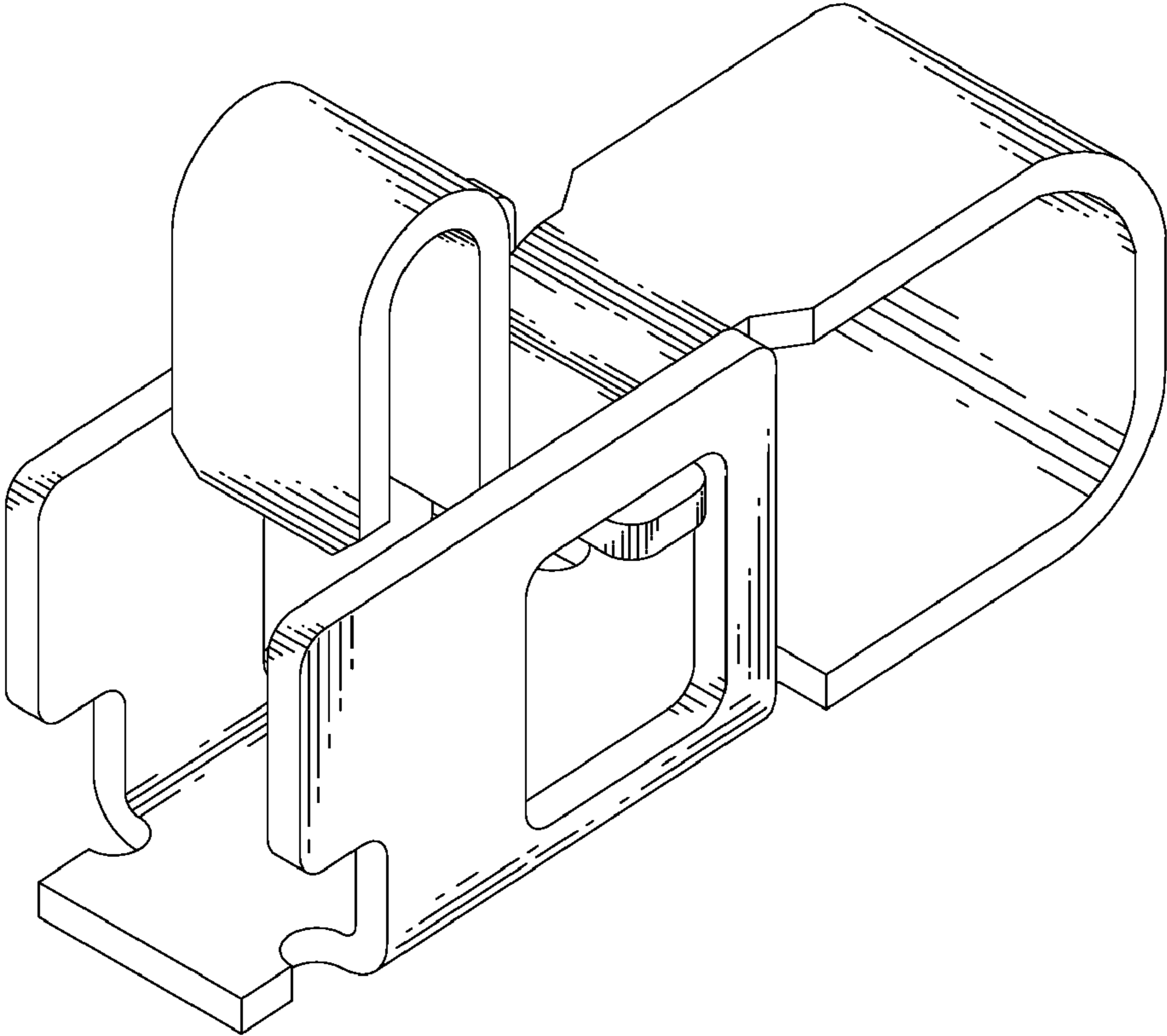


FIG. 1

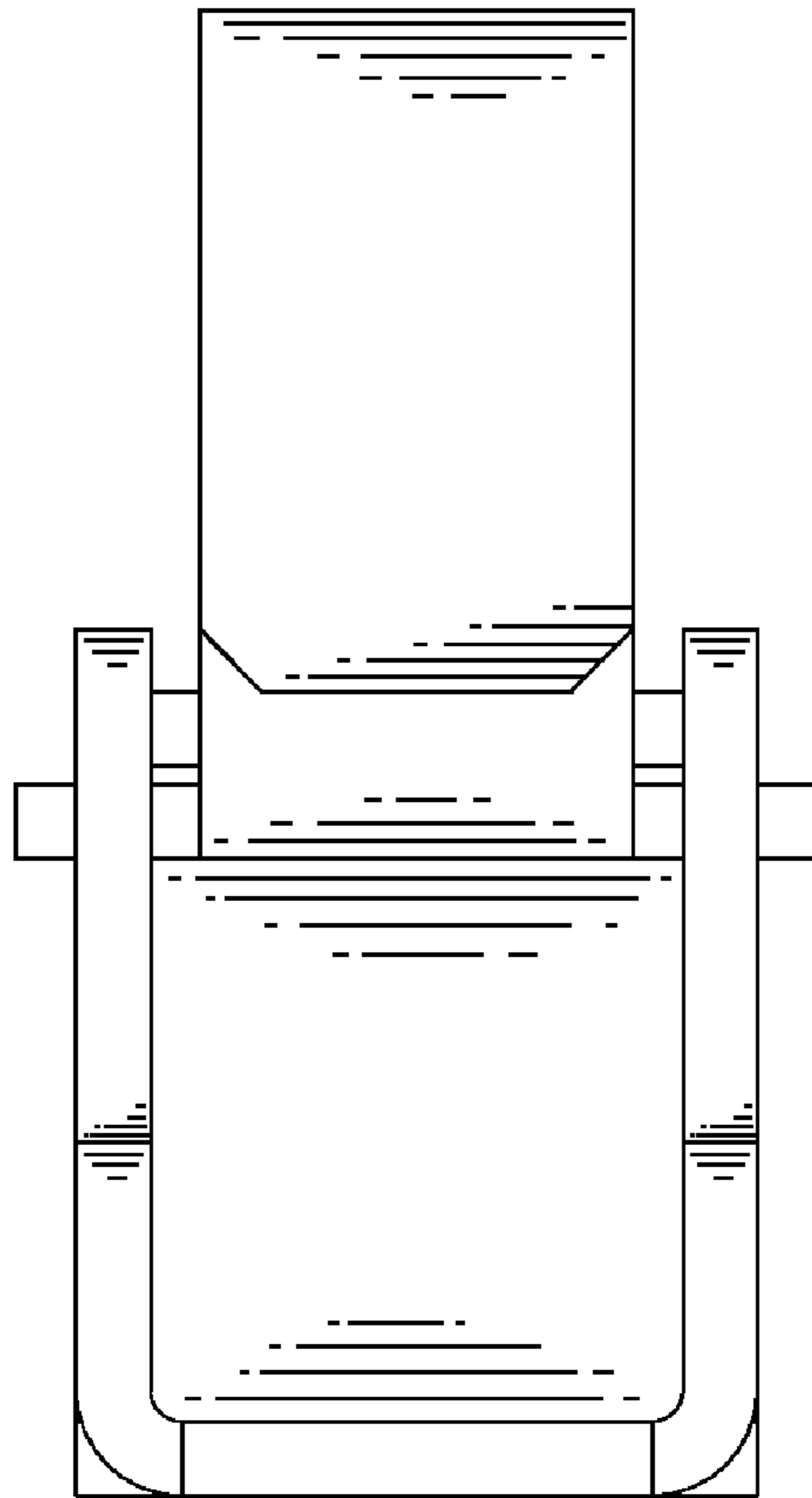


FIG. 2

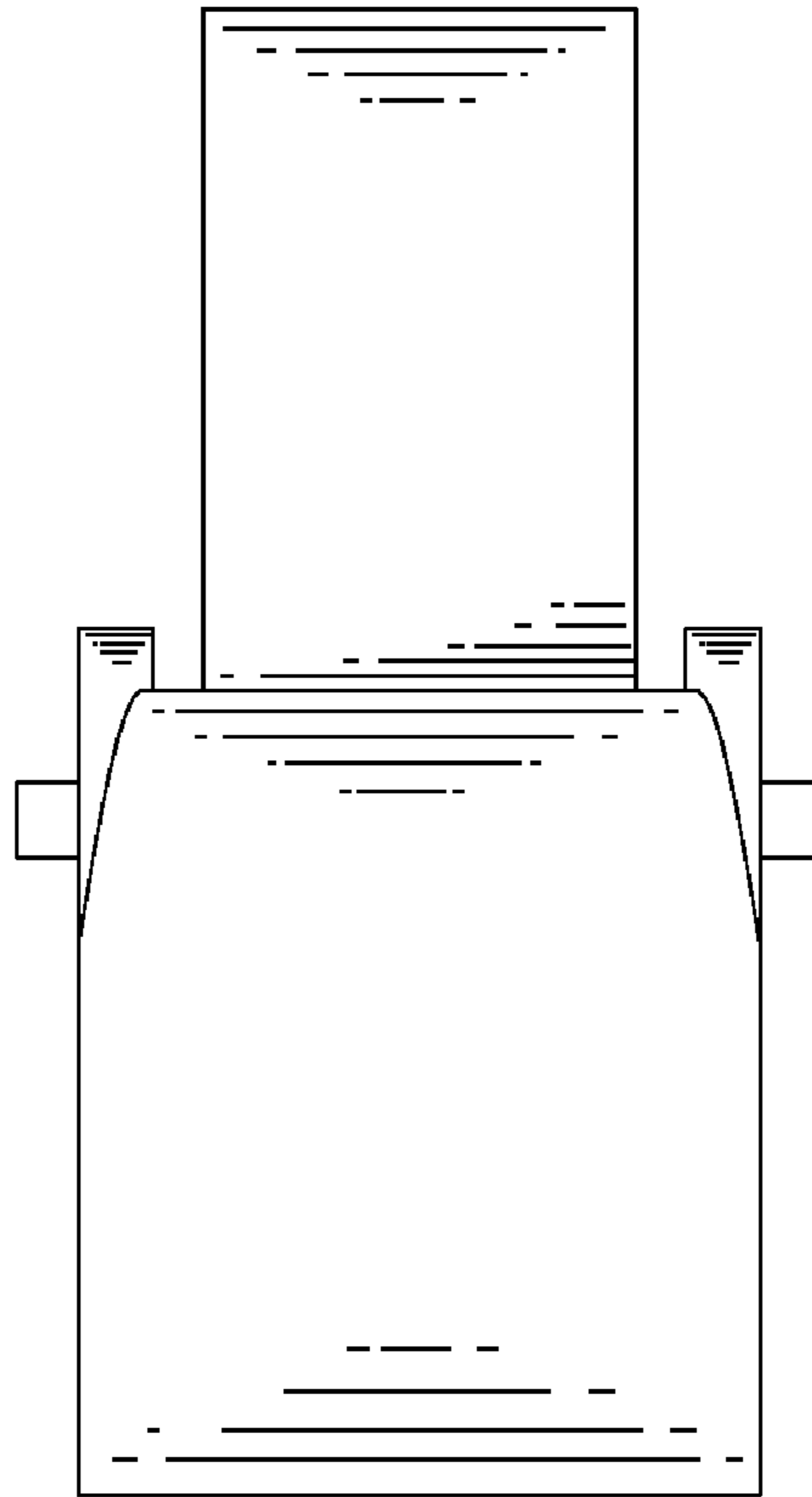


FIG. 3

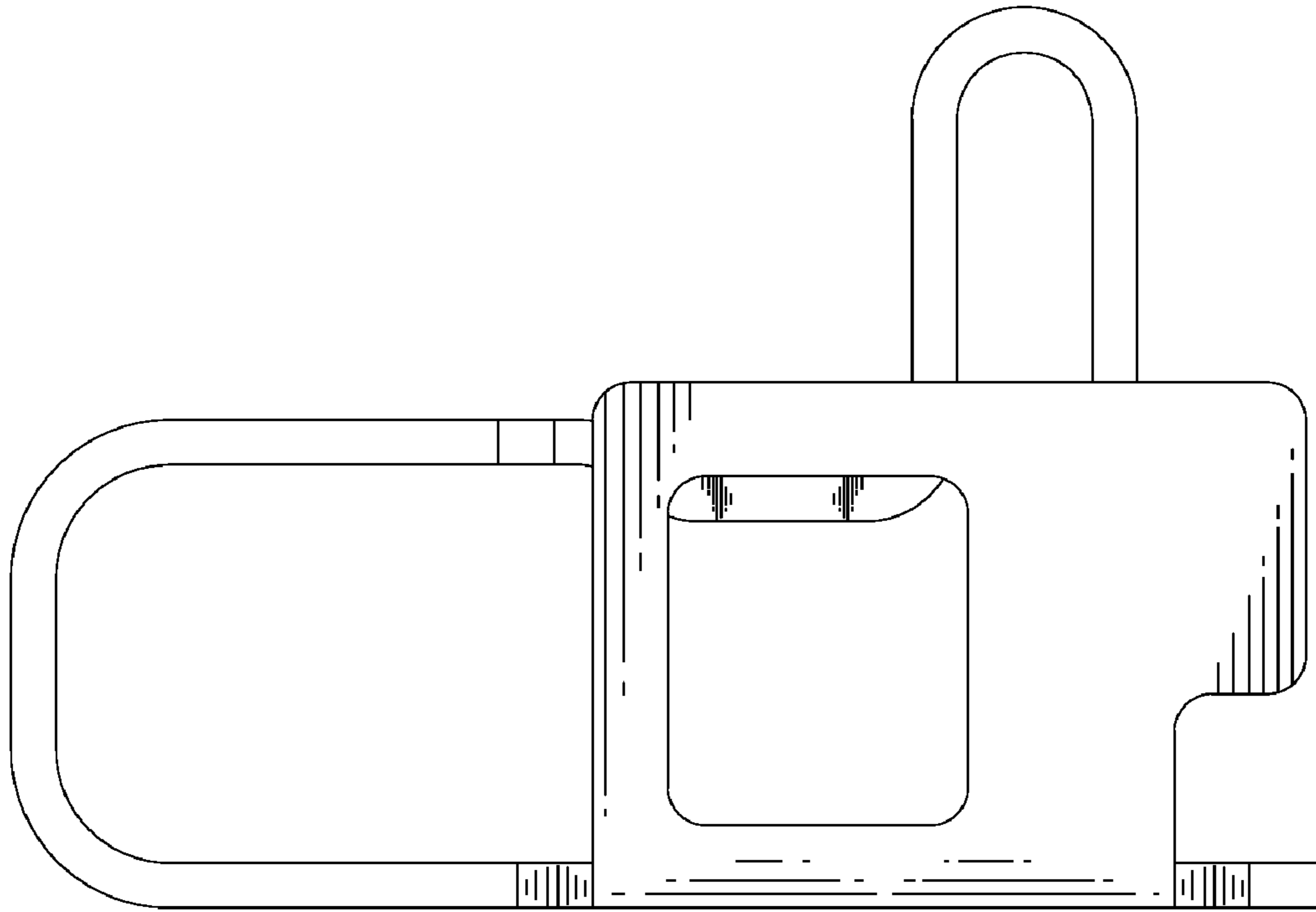


FIG. 4

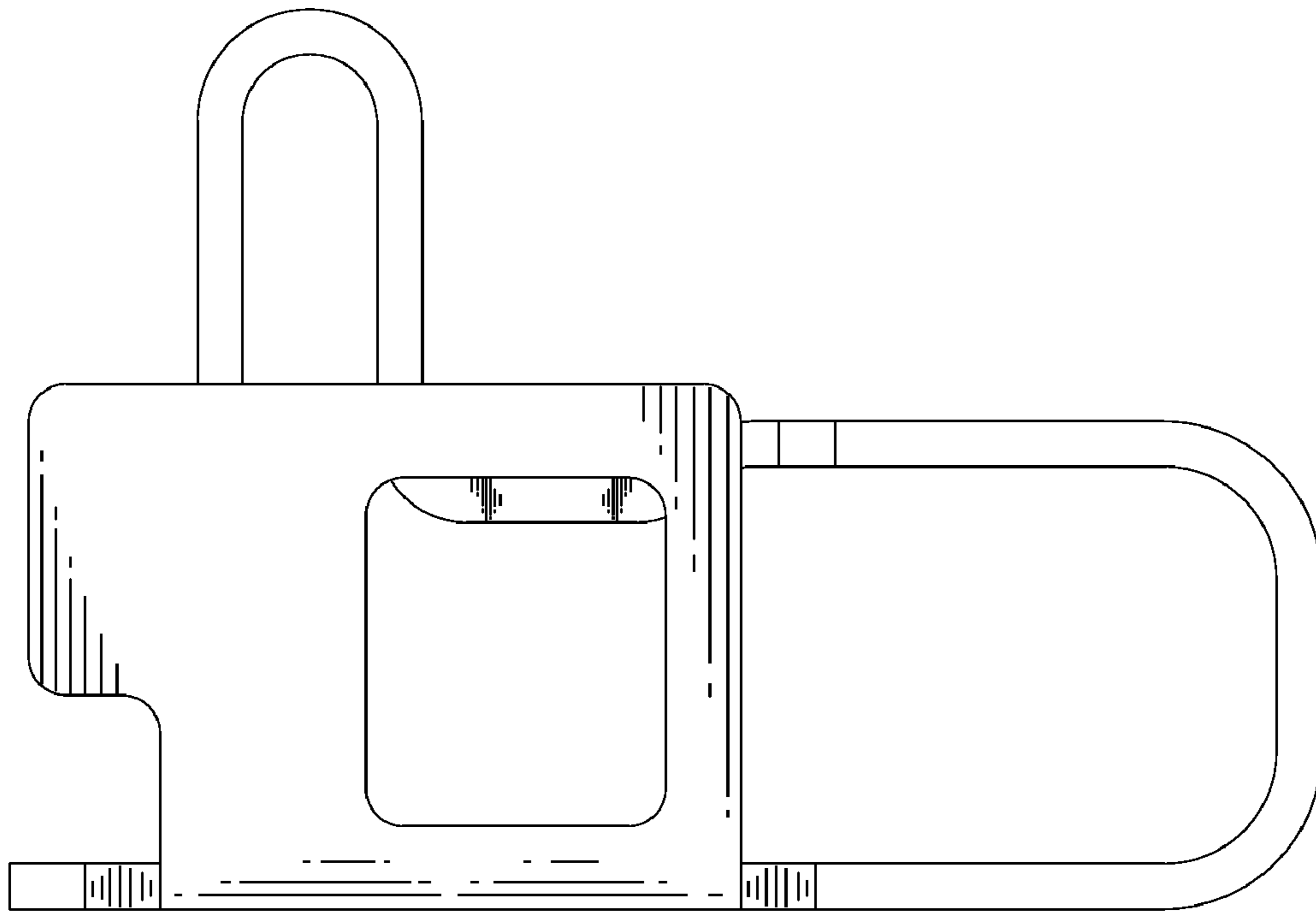


FIG. 5

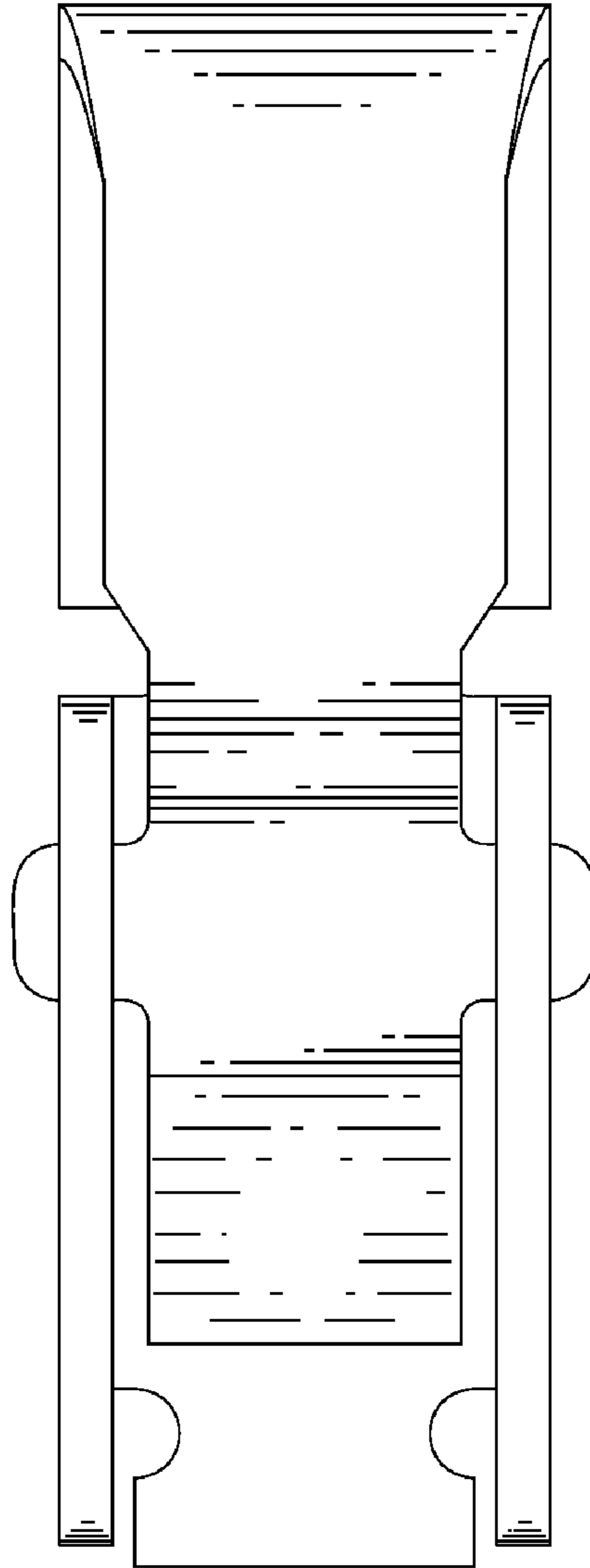


FIG. 6

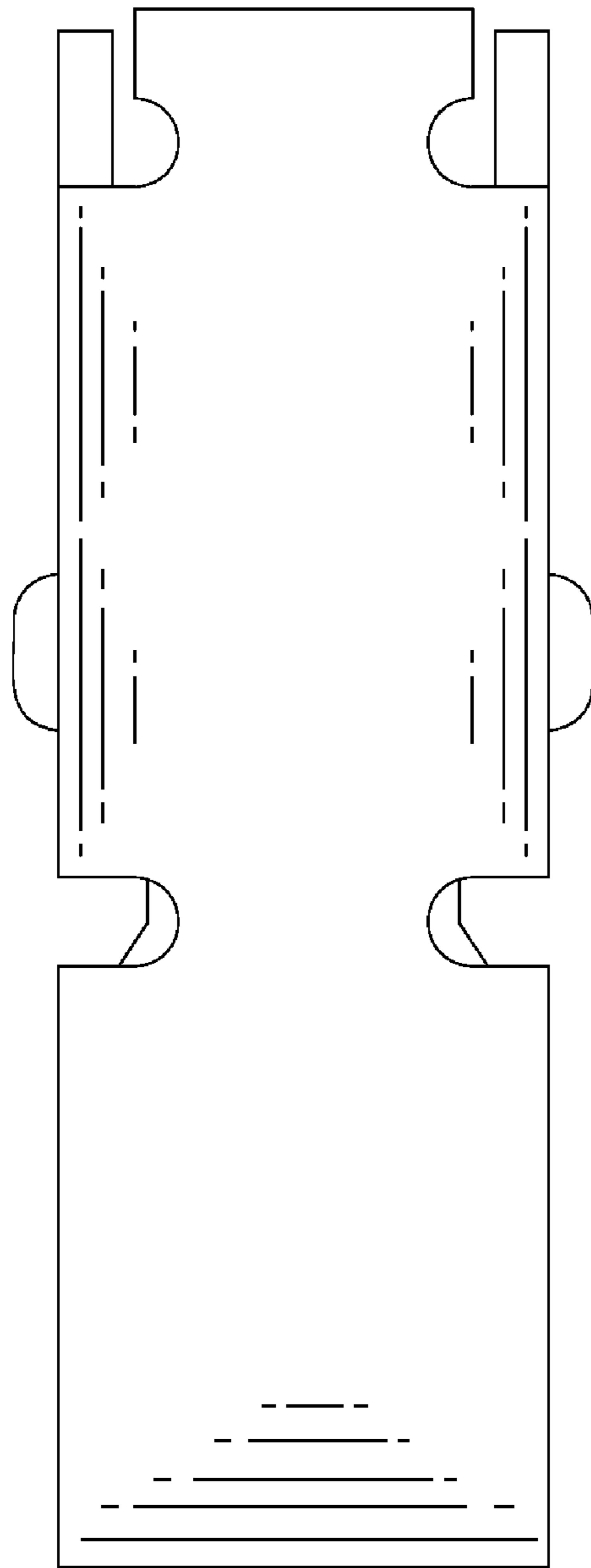


FIG. 7