



US00D660248S

(12) **United States Design Patent**
Zhang et al.

(10) **Patent No.:** **US D660,248 S**
(45) **Date of Patent:** **** May 22, 2012**

(54) **CONNECTOR CONTACT**

(75) Inventors: **Hong-Tu Zhang**, Guang-Dong (CN);
Ping-Chih Chen, New Taipei (TW);
Ming-Chiang Chen, New Taipei (TW)

(73) Assignee: **Cheng Uei Precision Industry Co., Ltd.**, New Taipei (TW)

(**) Term: **14 Years**

(21) Appl. No.: **29/400,881**

(22) Filed: **Sep. 1, 2011**

(51) **LOC (9) Cl.** **13-03**

(52) **U.S. Cl.** **D13/154**

(58) **Field of Classification Search** D13/120,
D13/133, 146, 147, 154, 184, 199; 439/839,
439/849-850, 852, 862, 870, 877, 884-885,
439/887-891

See application file for complete search history.

(56) **References Cited**

U.S. PATENT DOCUMENTS

D555,093 S * 11/2007 Chien et al. D13/133
D555,095 S * 11/2007 Ho D13/133

D569,801 S * 5/2008 Chuang D13/133
D624,027 S * 9/2010 Huang et al. D13/154
D627,304 S * 11/2010 Huang et al. D13/154
D642,981 S * 8/2011 de Bruijn et al. D13/120
D644,177 S * 8/2011 de Bruijn et al. D13/120
D645,410 S * 9/2011 Liu et al. D13/154

* cited by examiner

Primary Examiner — Daniel Bui

(74) *Attorney, Agent, or Firm* — Cheng-Ju Chiang

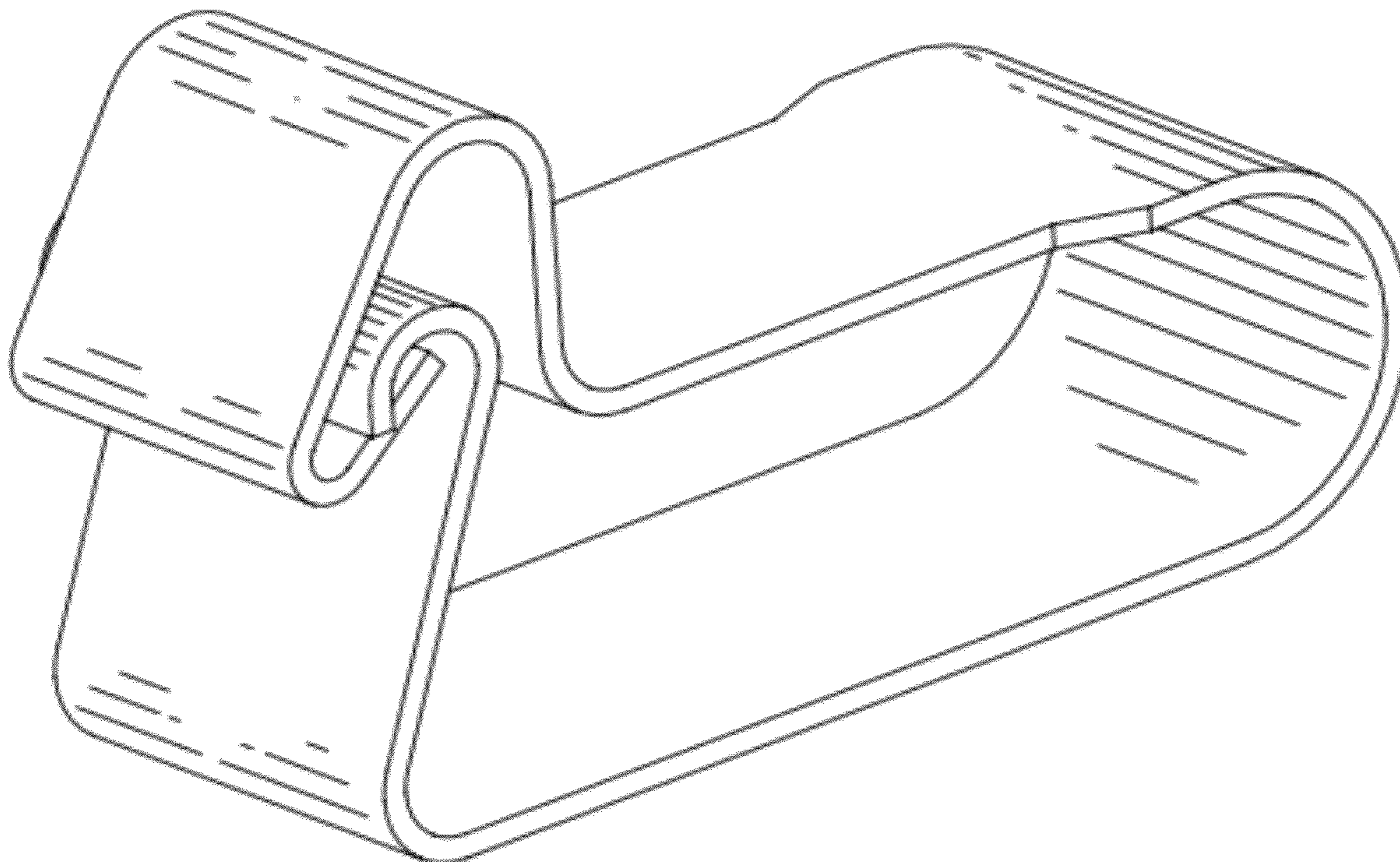
(57) **CLAIM**

The ornamental design for a connector contact, as shown and described.

DESCRIPTION

FIG. 1 is a perspective view of a connector contact showing our new design;
FIG. 2 is a front elevational view thereof;
FIG. 3 is a rear elevational view thereof;
FIG. 4 is a left side elevational view thereof;
FIG. 5 is a right side elevational view thereof;
FIG. 6 is a top plan view thereof; and,
FIG. 7 is a bottom plan view thereof.

1 Claim, 7 Drawing Sheets



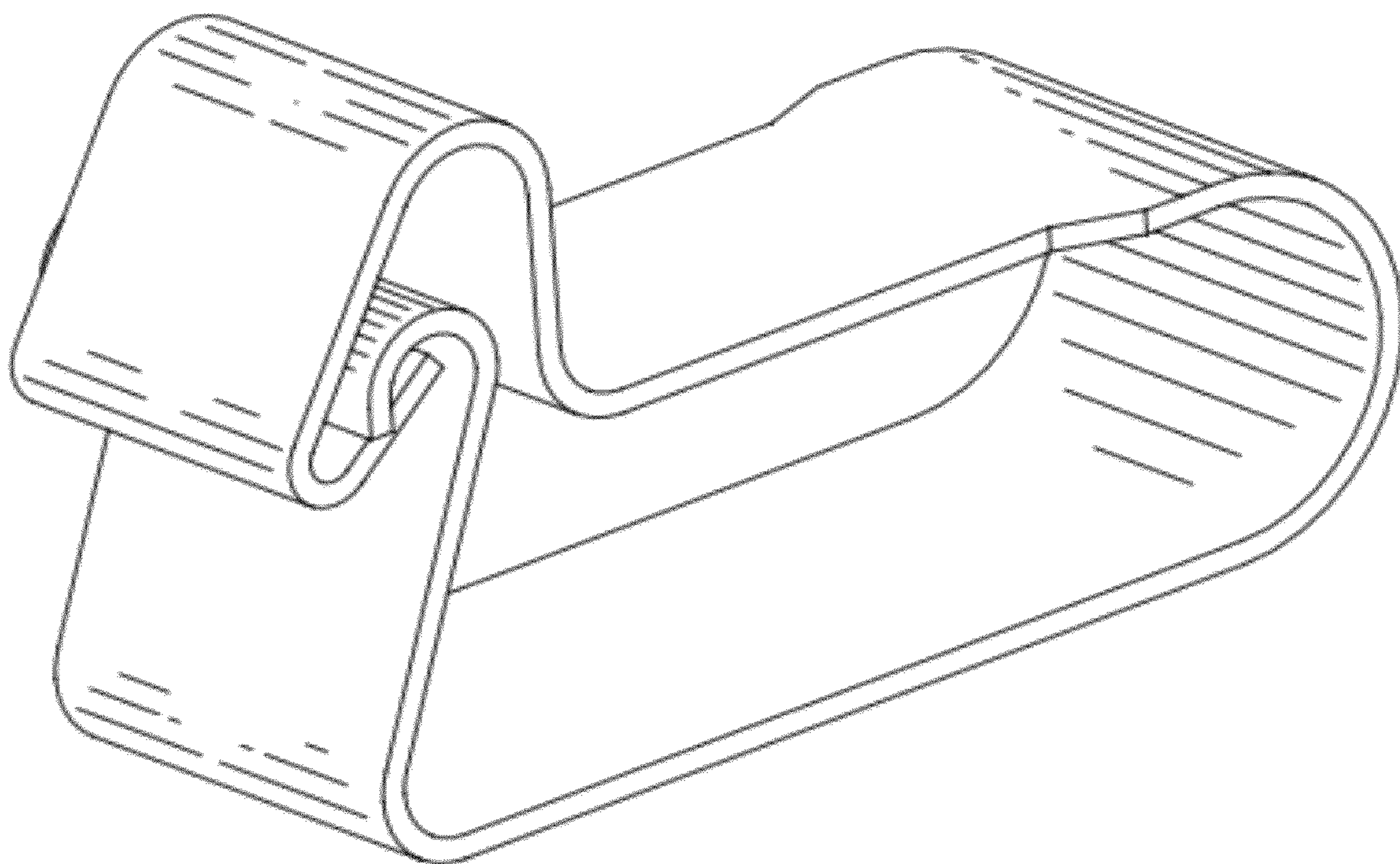


FIG. 1

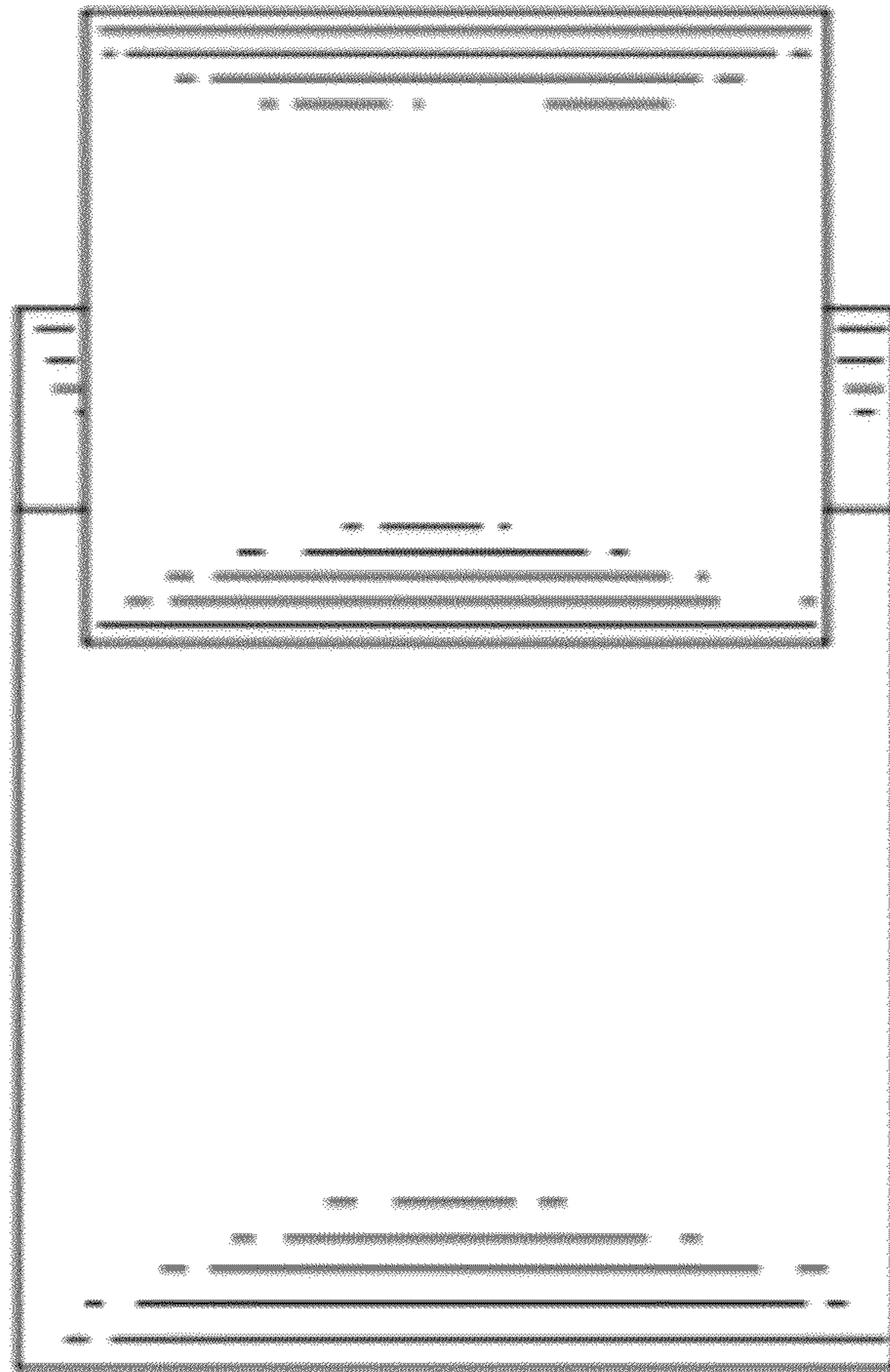


FIG. 2

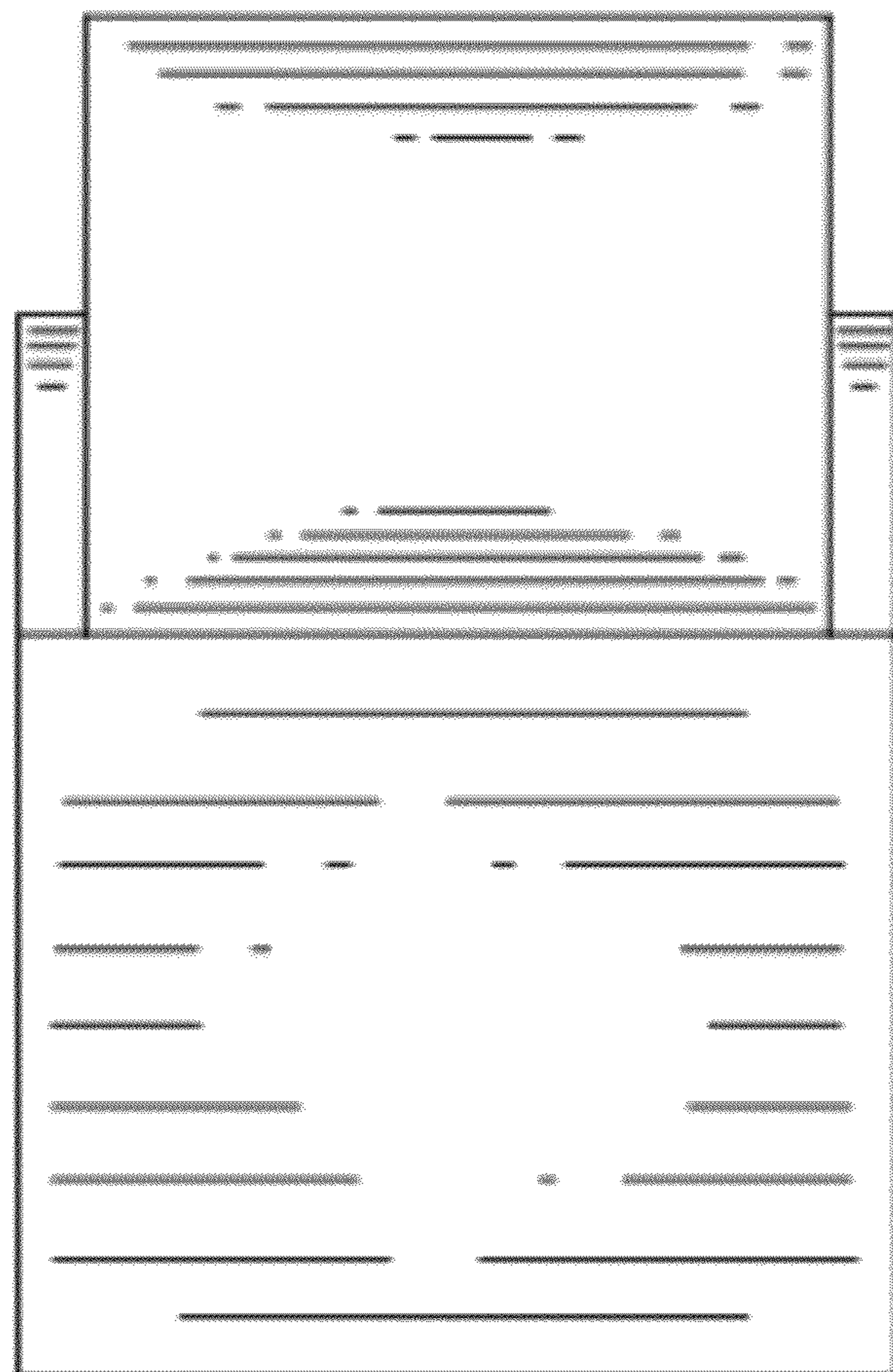


FIG. 3

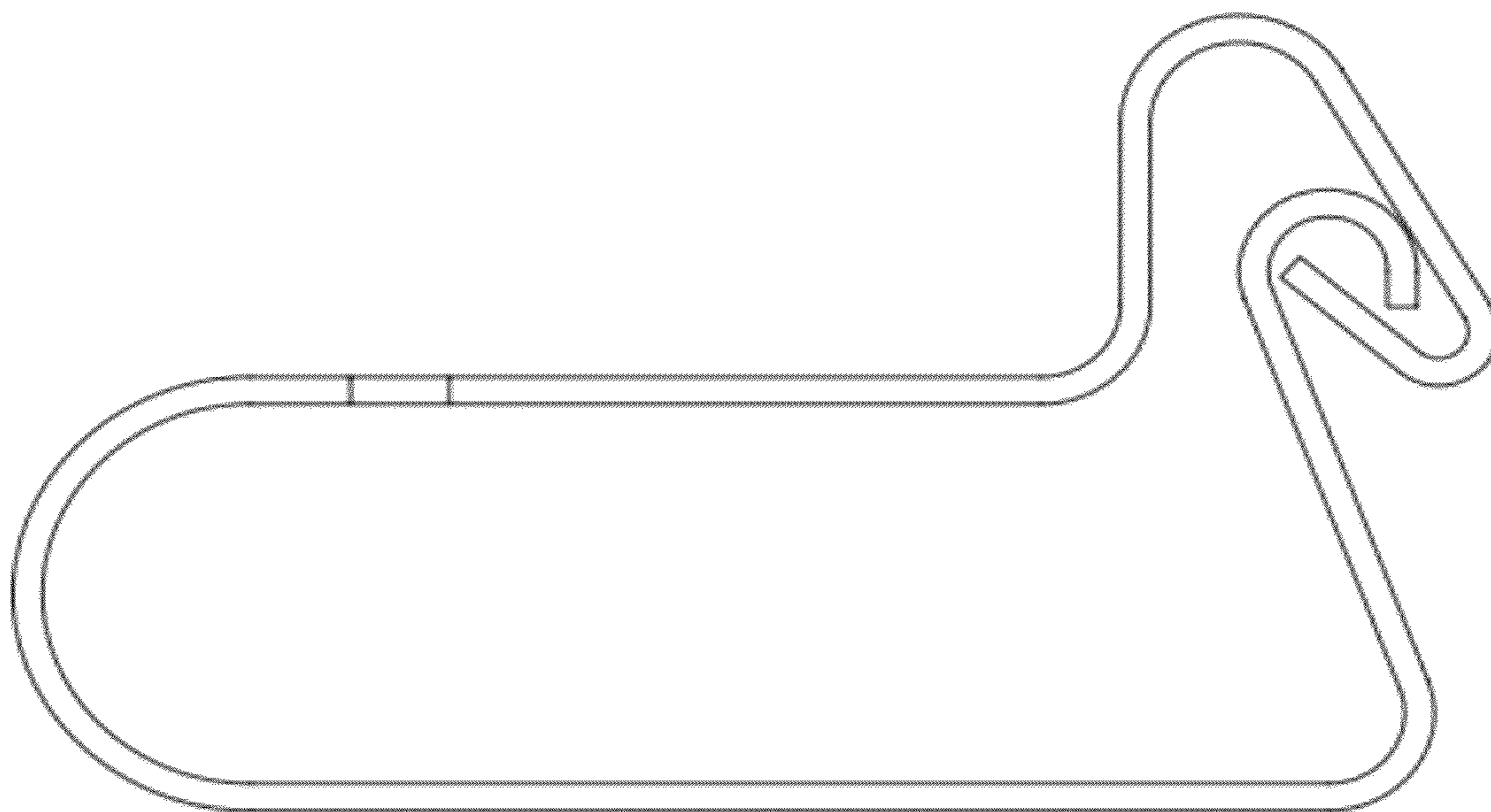


FIG. 4

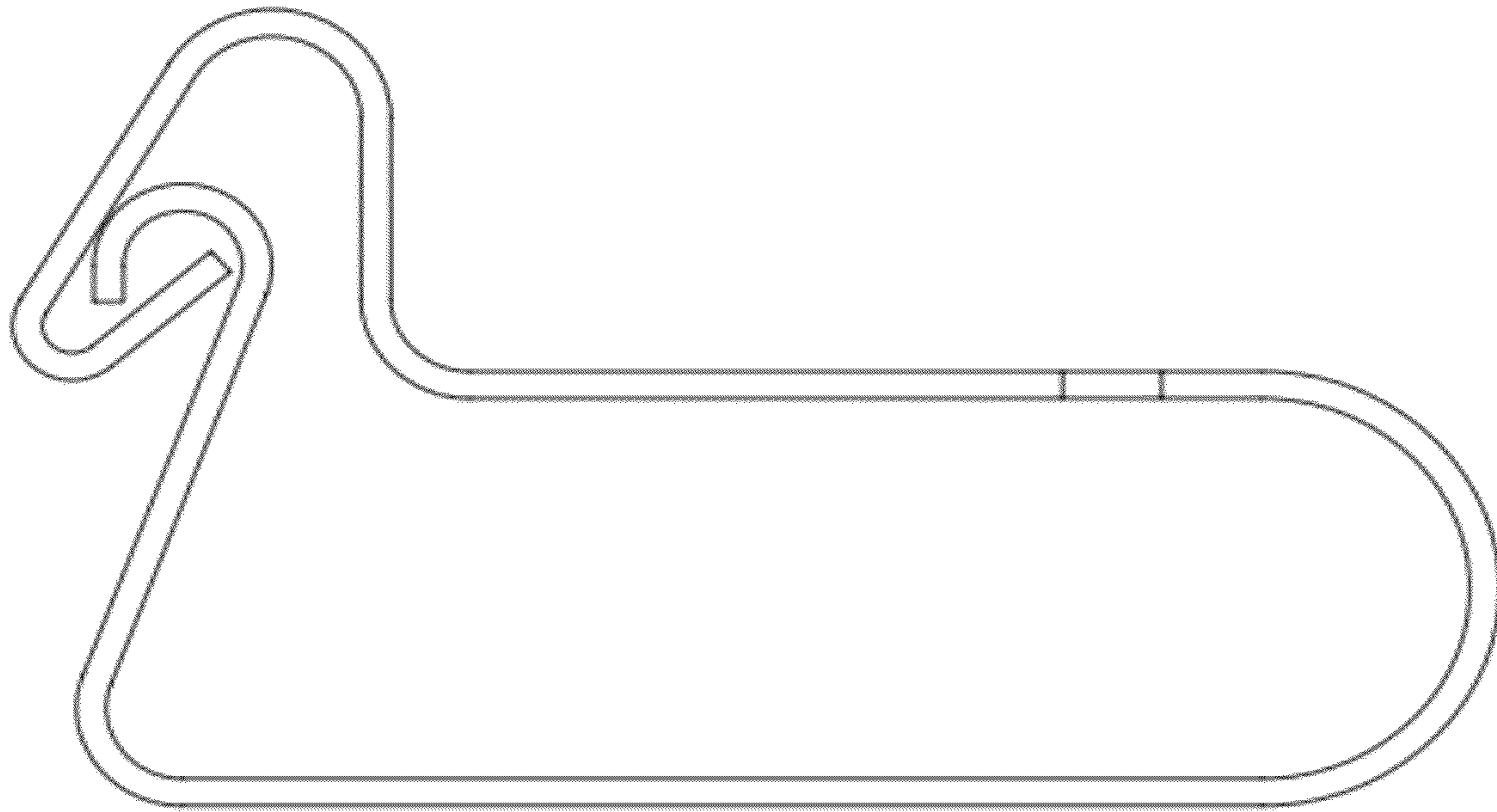


FIG. 5

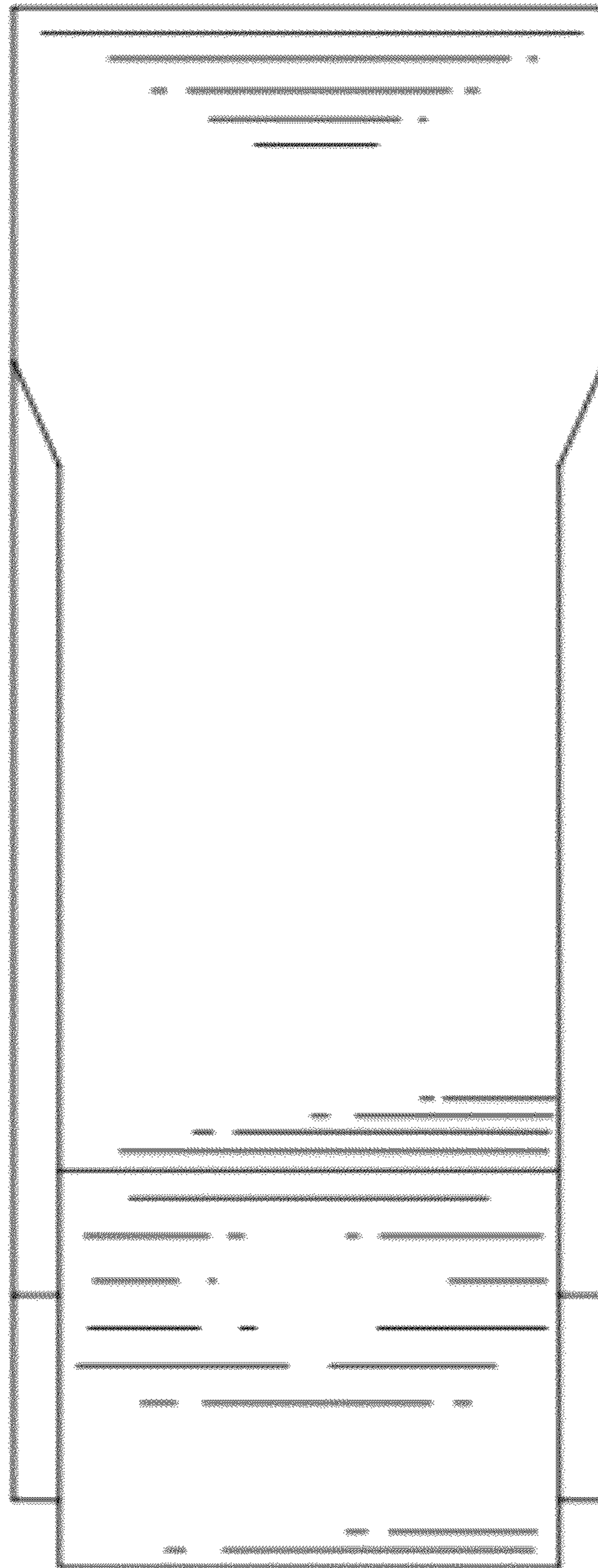


FIG. 6

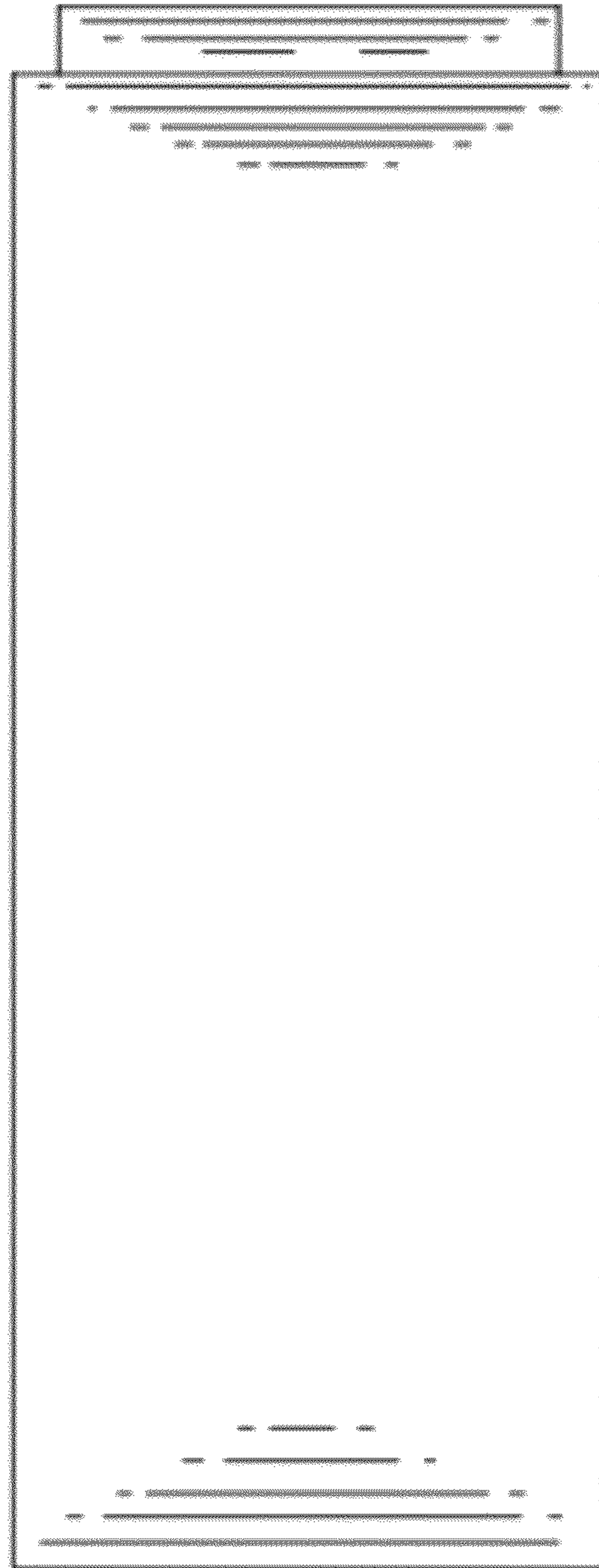


FIG. 7