



US00D660247S

(12) **United States Design Patent**
Chiang

(10) **Patent No.:** **US D660,247 S**

(45) **Date of Patent:** **** May 22, 2012**

(54) **CONNECTOR CONTACT**

(75) Inventor: **Chih-Hsien Chiang**, New Taipei (TW)

(73) Assignee: **Cheng Uei Precision Industry Co., Ltd.**, New Taipei (TW)

(**) Term: **14 Years**

(21) Appl. No.: **29/391,116**

(22) Filed: **May 3, 2011**

(51) **LOC (9) Cl.** **13-03**

(52) **U.S. Cl.** **D13/154**

(58) **Field of Classification Search** D13/120,
D13/133, 146, 147, 154, 184, 199; 439/839,
439/849-850, 852, 862, 870, 877, 884-885,
439/887-891

See application file for complete search history.

(56) **References Cited**

U.S. PATENT DOCUMENTS

D332,773 S * 1/1993 Sato et al. D13/149
D454,545 S * 3/2002 Hayashi et al. D13/154
D464,323 S * 10/2002 Harasawa et al. D13/154

D494,545 S * 8/2004 Kuroda et al. D13/154
D552,545 S * 10/2007 Ro D13/133
D556,136 S * 11/2007 Shiga et al. D13/133
D592,150 S * 5/2009 Ogata et al. D13/154
D603,806 S * 11/2009 Yamashita et al. D13/154
D621,368 S * 8/2010 Lee et al. D13/154

* cited by examiner

Primary Examiner — Daniel Bui

(74) *Attorney, Agent, or Firm* — Cheng-Ju Chiang

(57) **CLAIM**

The ornamental design for a connector contact, as shown and described.

DESCRIPTION

FIG. 1 is a perspective view of a connector contact showing my new design;

FIG. 2 is a front elevational view thereof;

FIG. 3 is a rear elevational view thereof;

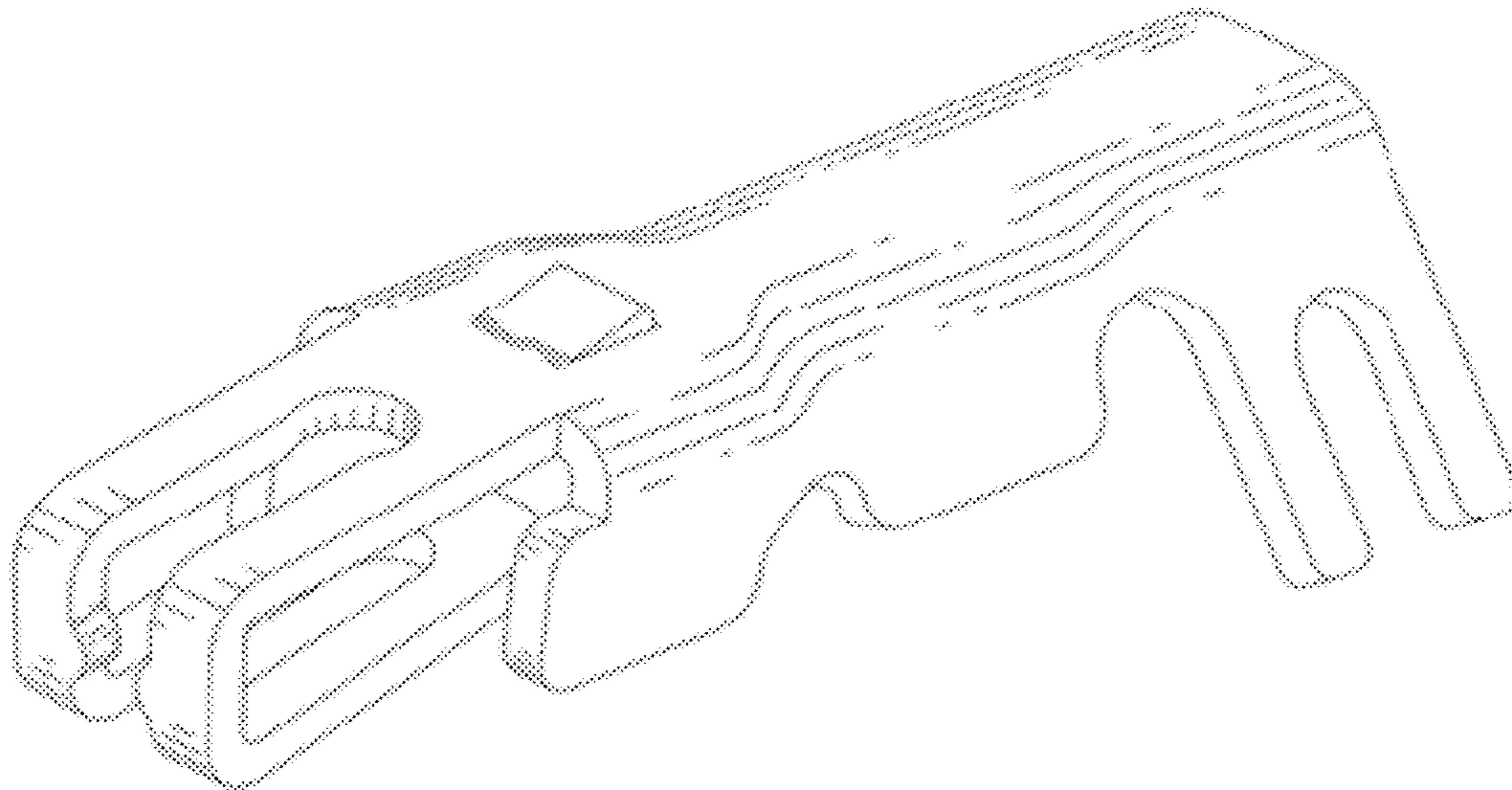
FIG. 4 is a left side elevational view thereof;

FIG. 5 is a right side elevational view thereof;

FIG. 6 is a top plan view thereof; and,

FIG. 7 is a bottom plan view thereof.

1 Claim, 7 Drawing Sheets



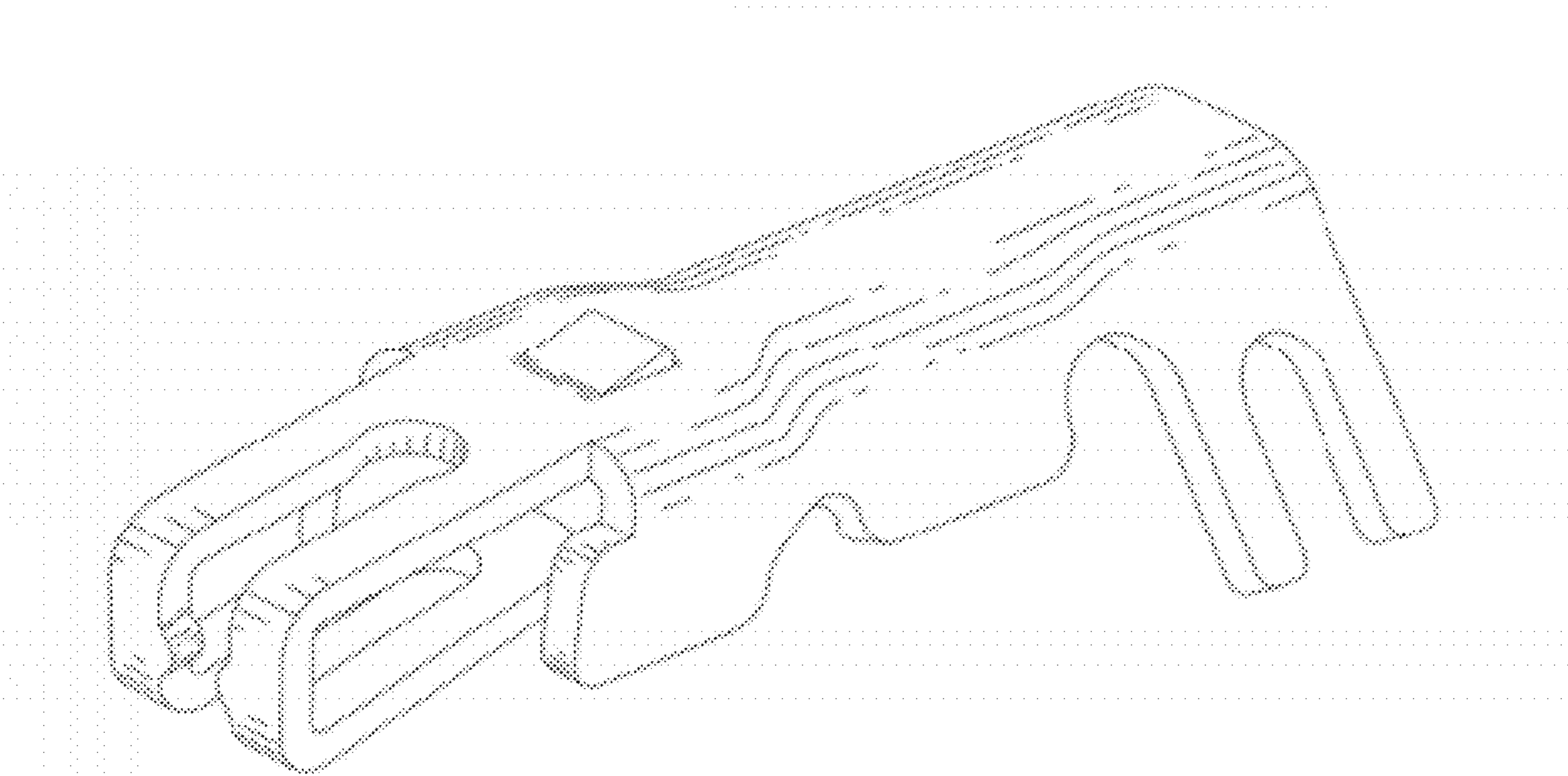


FIG. 1

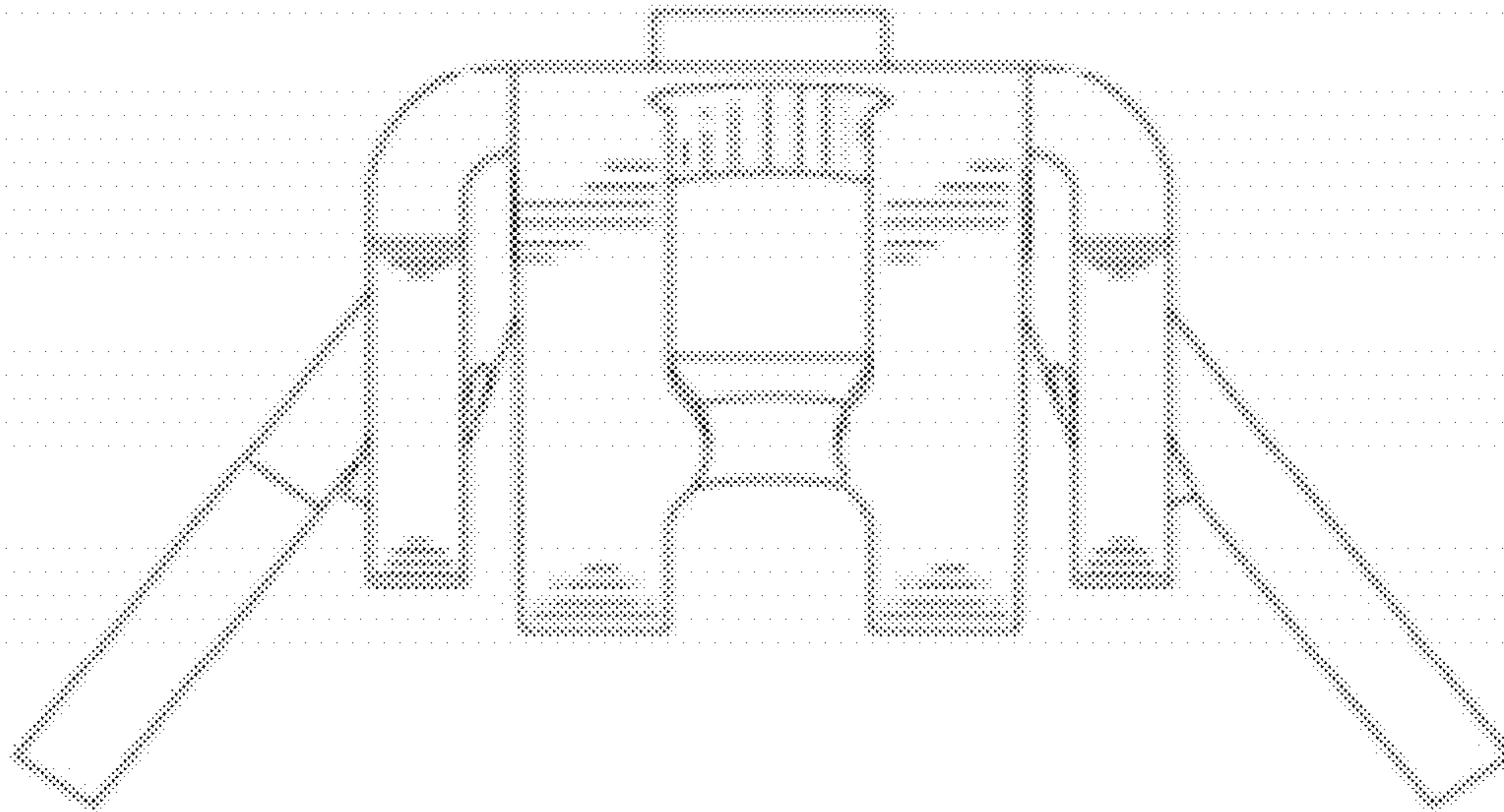


FIG. 2

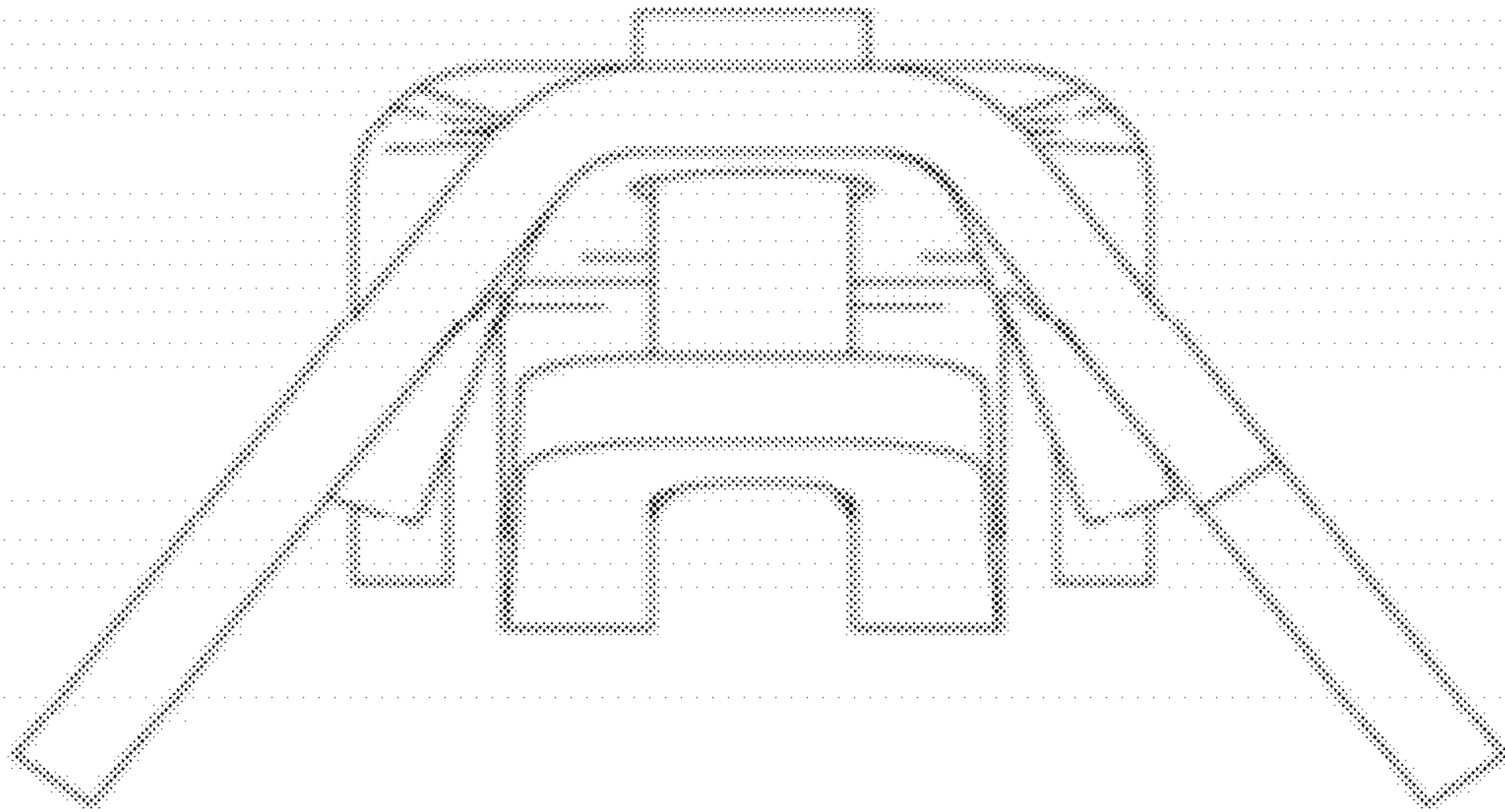


FIG. 3

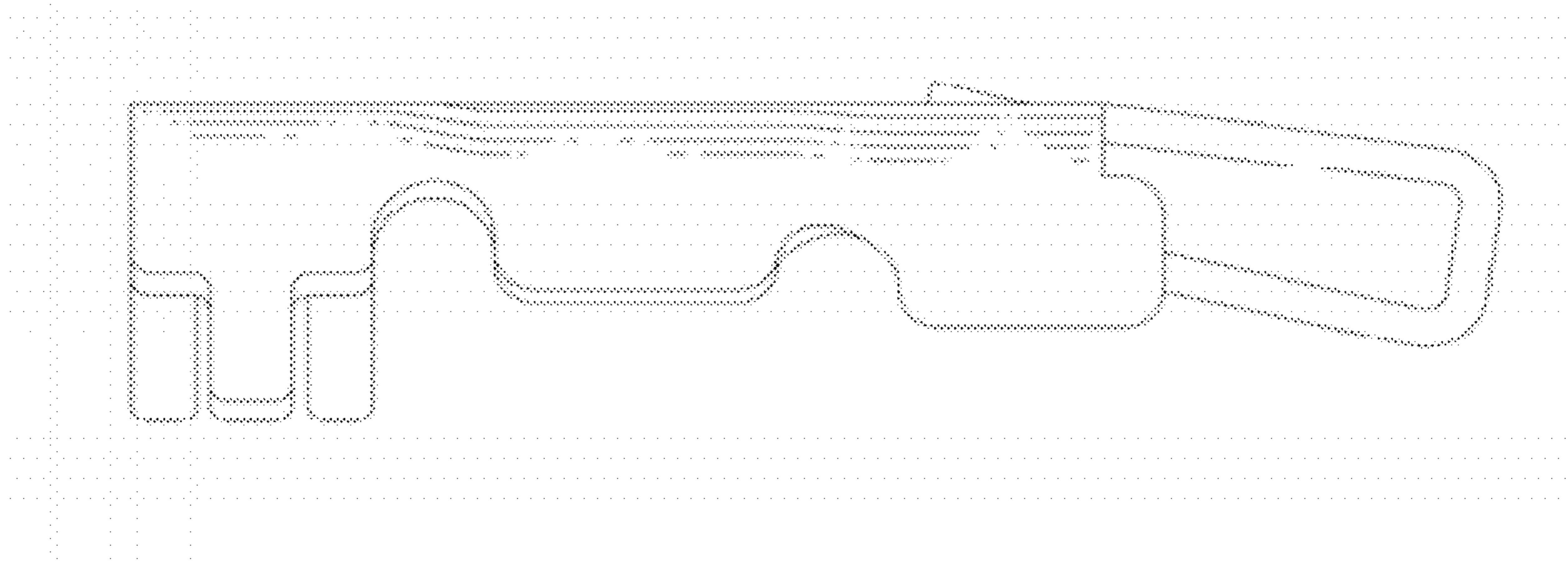


FIG. 4

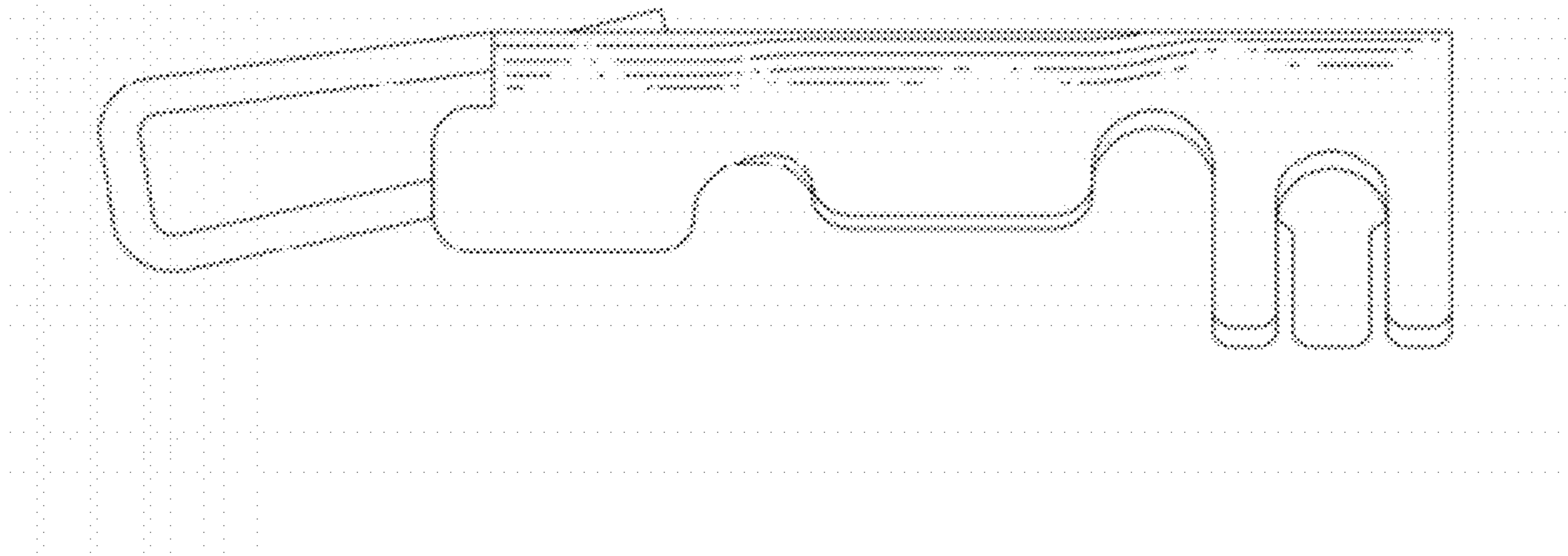


FIG. 5

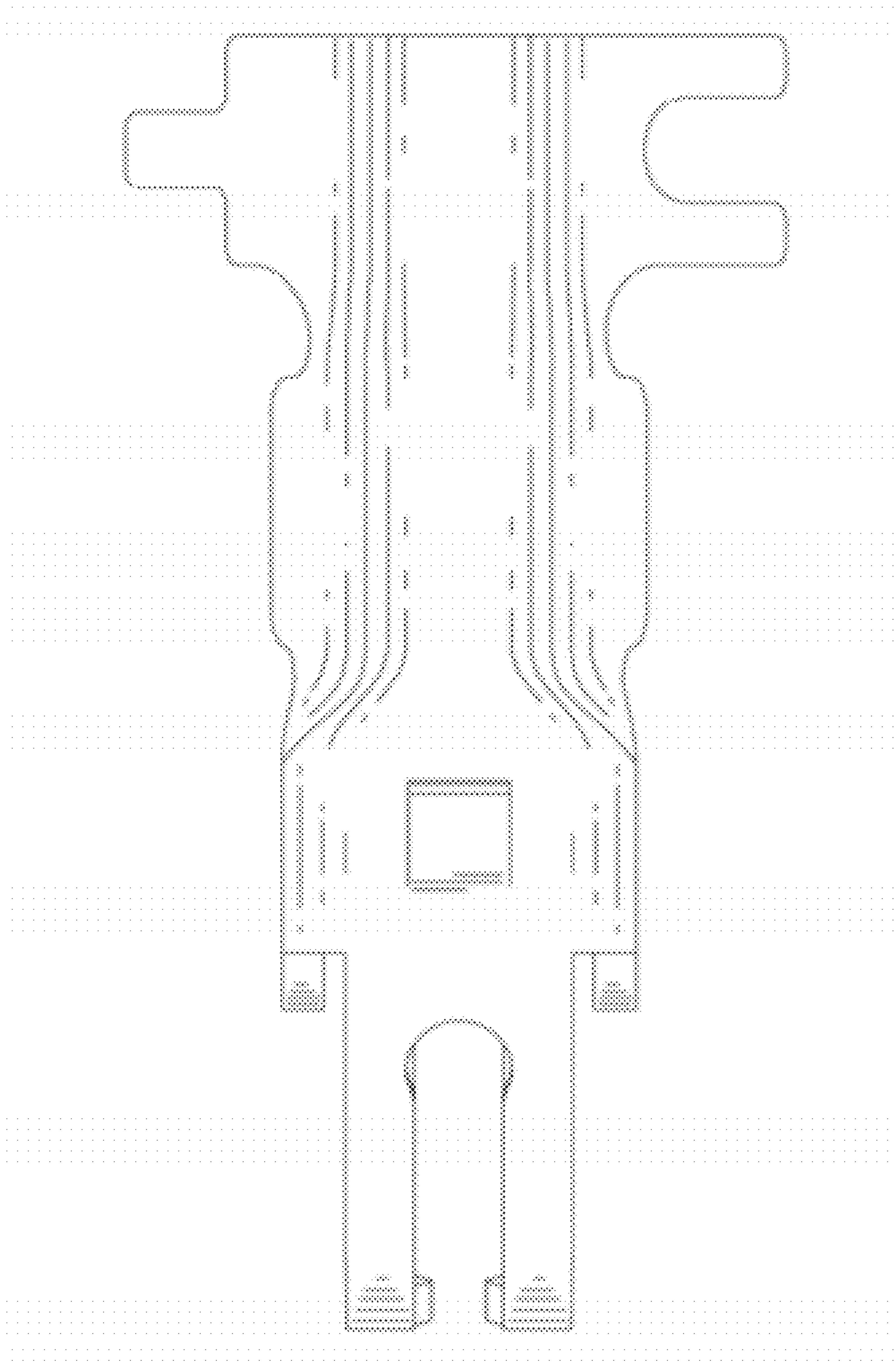


FIG. 6

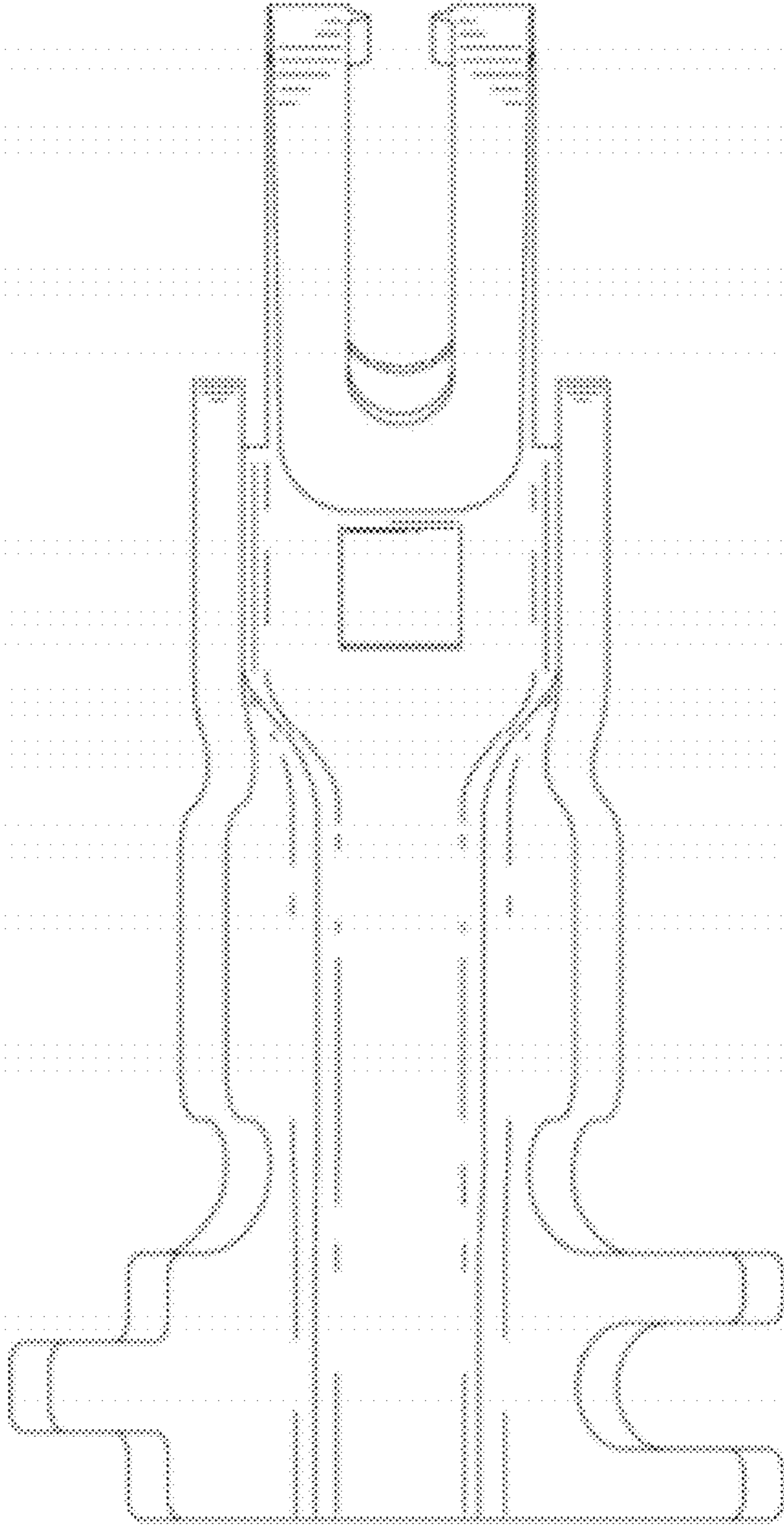


FIG. 7