



US00D660244S

(12) **United States Design Patent**
Yudate

(10) **Patent No.:** **US D660,244 S**

(45) **Date of Patent:** **** May 22, 2012**

(54) **WATERPROOF ELECTRICAL CONNECTOR**

(75) Inventor: **Shinya Yudate**, Matsuyama (JP)

(73) Assignee: **EX Company Limited**, Matsuyama-shi Ehime-ken (JP)

(**) Term: **14 Years**

(21) Appl. No.: **29/381,917**

(22) Filed: **Dec. 27, 2010**

(30) **Foreign Application Priority Data**

Sep. 30, 2010 (JP) 2010-23391
Sep. 30, 2010 (JP) 2010-23392
Sep. 30, 2010 (JP) 2010-23393

(51) **LOC (9) Cl.** **13-03**

(52) **U.S. Cl.** **D13/147**

(58) **Field of Classification Search** D13/147,
D13/154, 184, 199; 439/79, 108, 378, 567,
439/607.01, 607.04, 607.05, 607.17, 607.25,
439/607.34, 607.41, 607.53, 668, 680
See application file for complete search history.

(56) **References Cited**

U.S. PATENT DOCUMENTS

D522,460 S * 6/2006 Chiang et al. D13/147
D618,622 S * 6/2010 Chiang et al. D13/147

D618,623 S * 6/2010 Peng D13/147
D620,444 S * 7/2010 Liu et al. D13/147
D635,925 S * 4/2011 Liu et al. D13/147

* cited by examiner

Primary Examiner — Daniel Bui

(74) *Attorney, Agent, or Firm* — JTT Patent Services, LLC;
Gerald T. Peters

(57) **CLAIM**

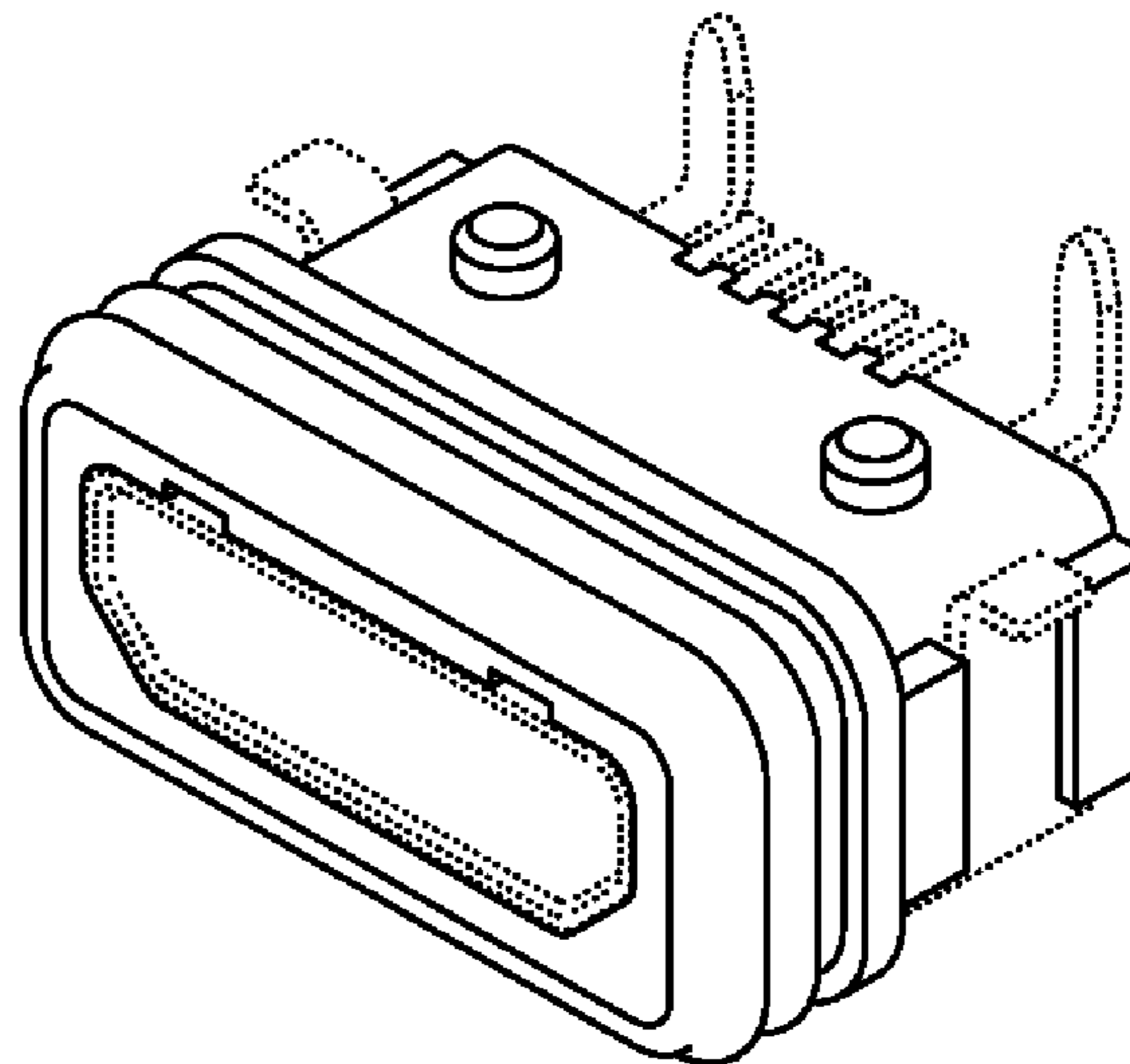
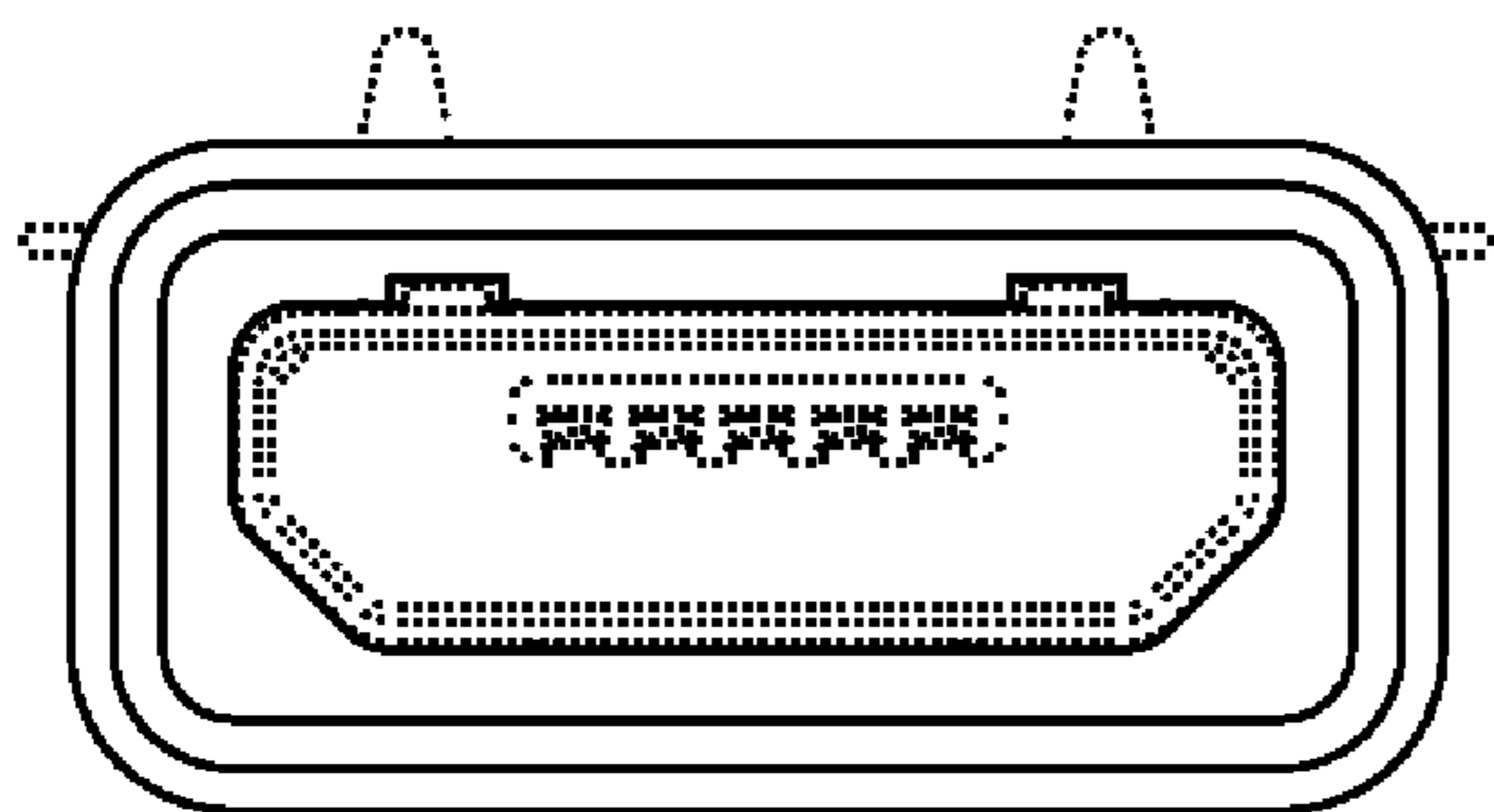
The ornamental design for a waterproof electrical connector, substantially as shown and described.

DESCRIPTION

FIG. 1 is a front elevational view of a waterproof electrical connector showing my new design; FIG. 2 is a rear elevational view thereof; FIG. 3 is a top-front-right-side perspective view thereof; FIG. 4 is a right side elevational view thereof; FIG. 5 is a left side elevational view thereof; FIG. 6 is a top plan view thereof; and, FIG. 7 is a bottom plan view thereof.

The broken-line portion of the drawings is included only to show unclaimed subject matter and forms no part of the claimed design.

1 Claim, 2 Drawing Sheets



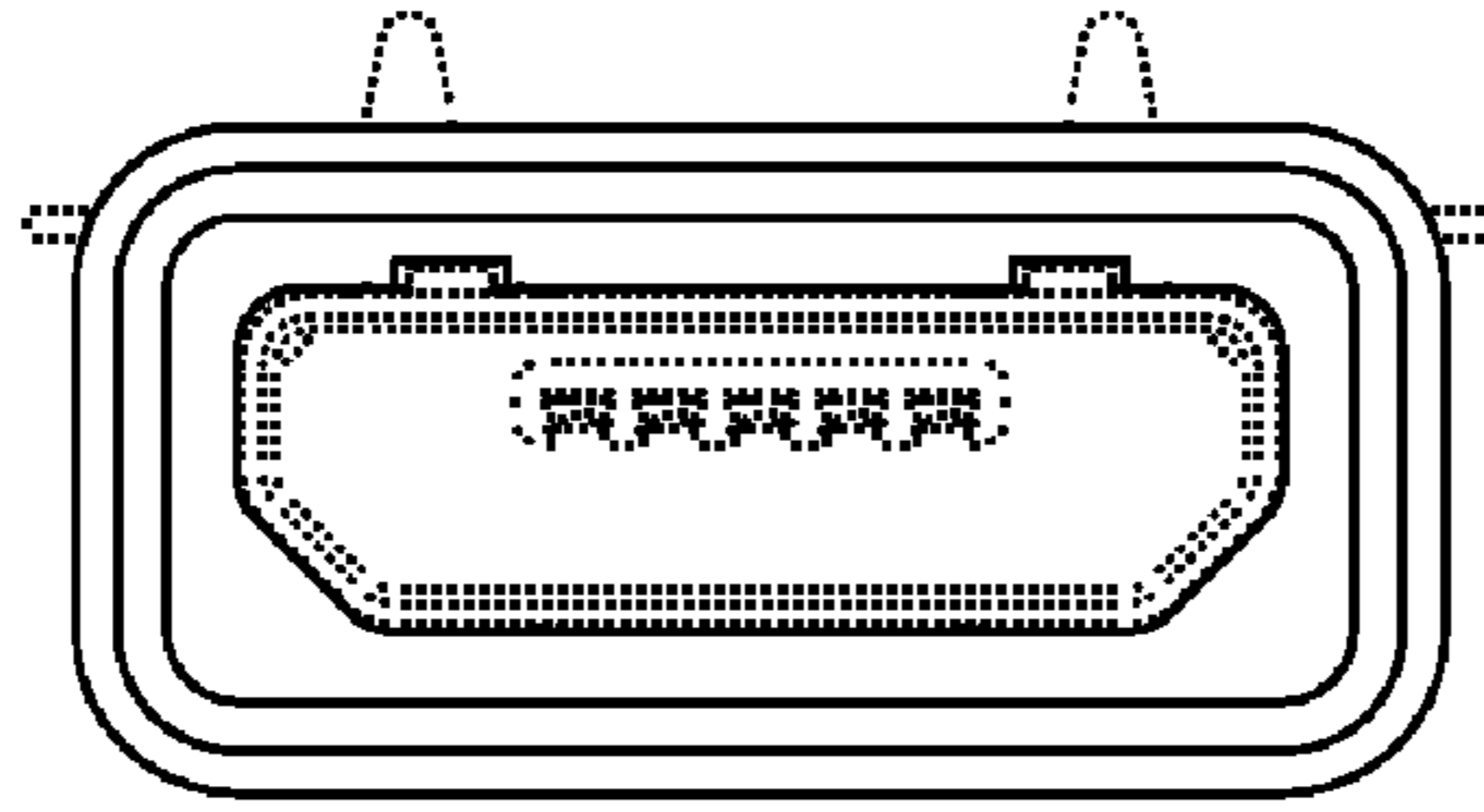


FIG.1

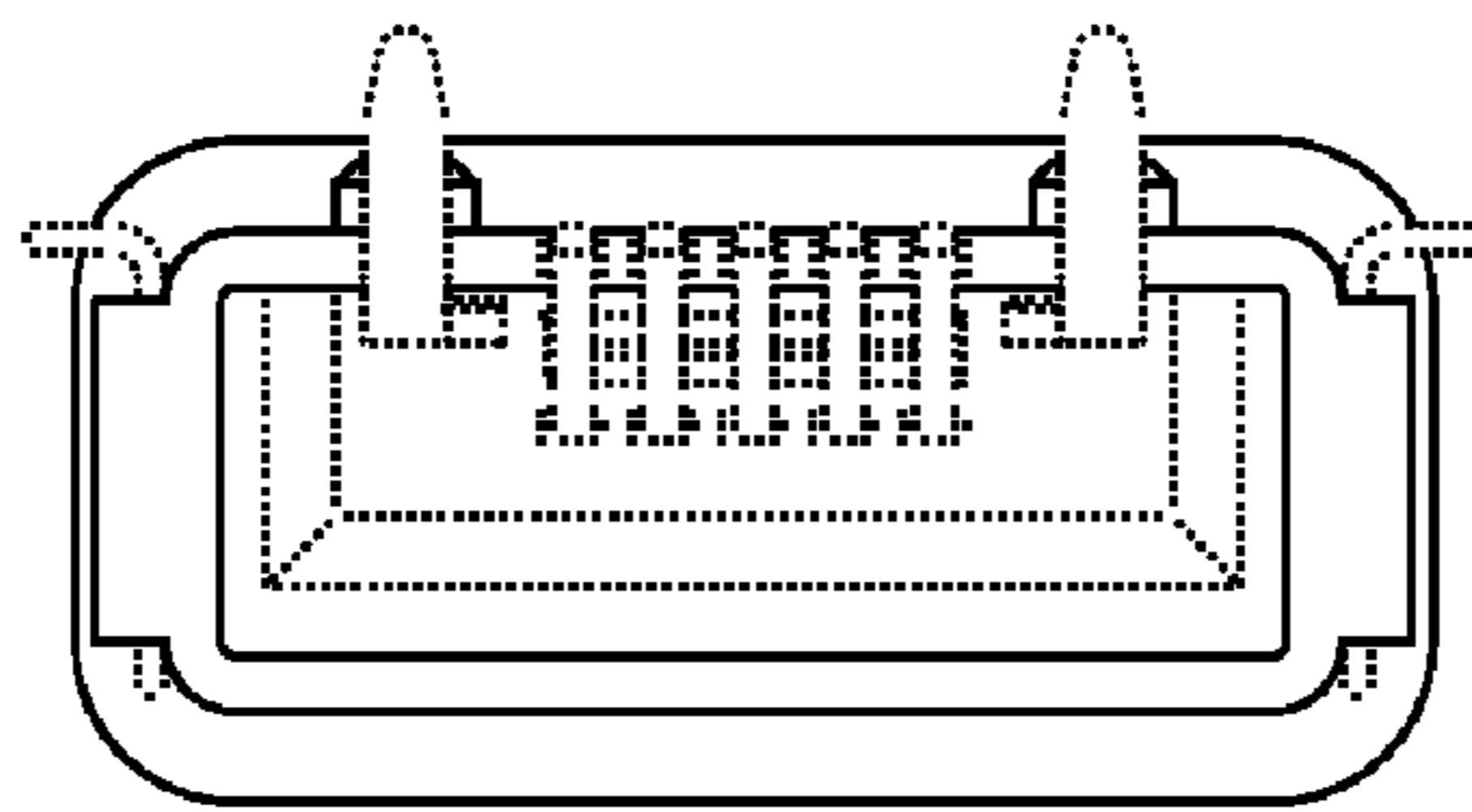


FIG.2

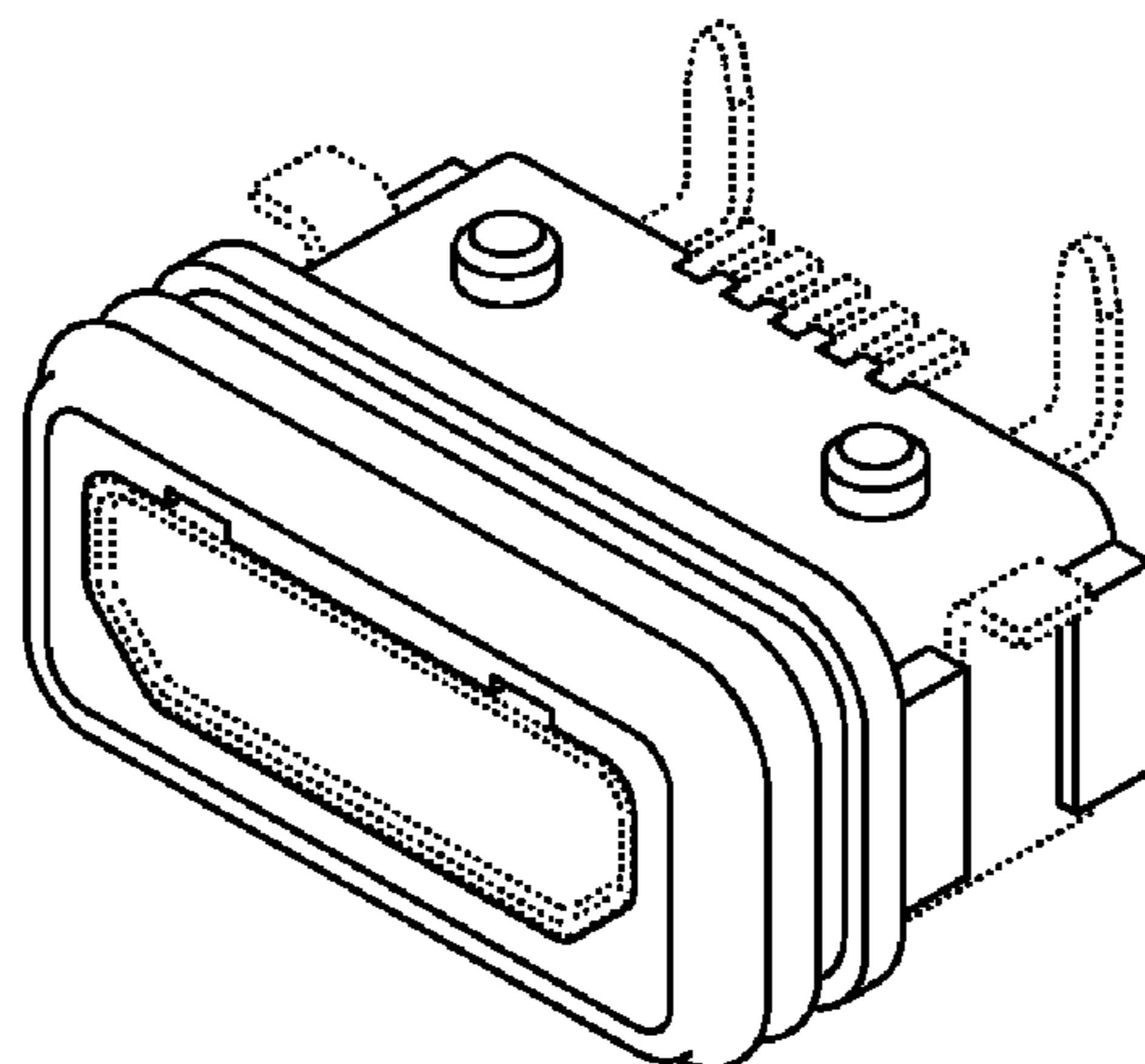


FIG.3

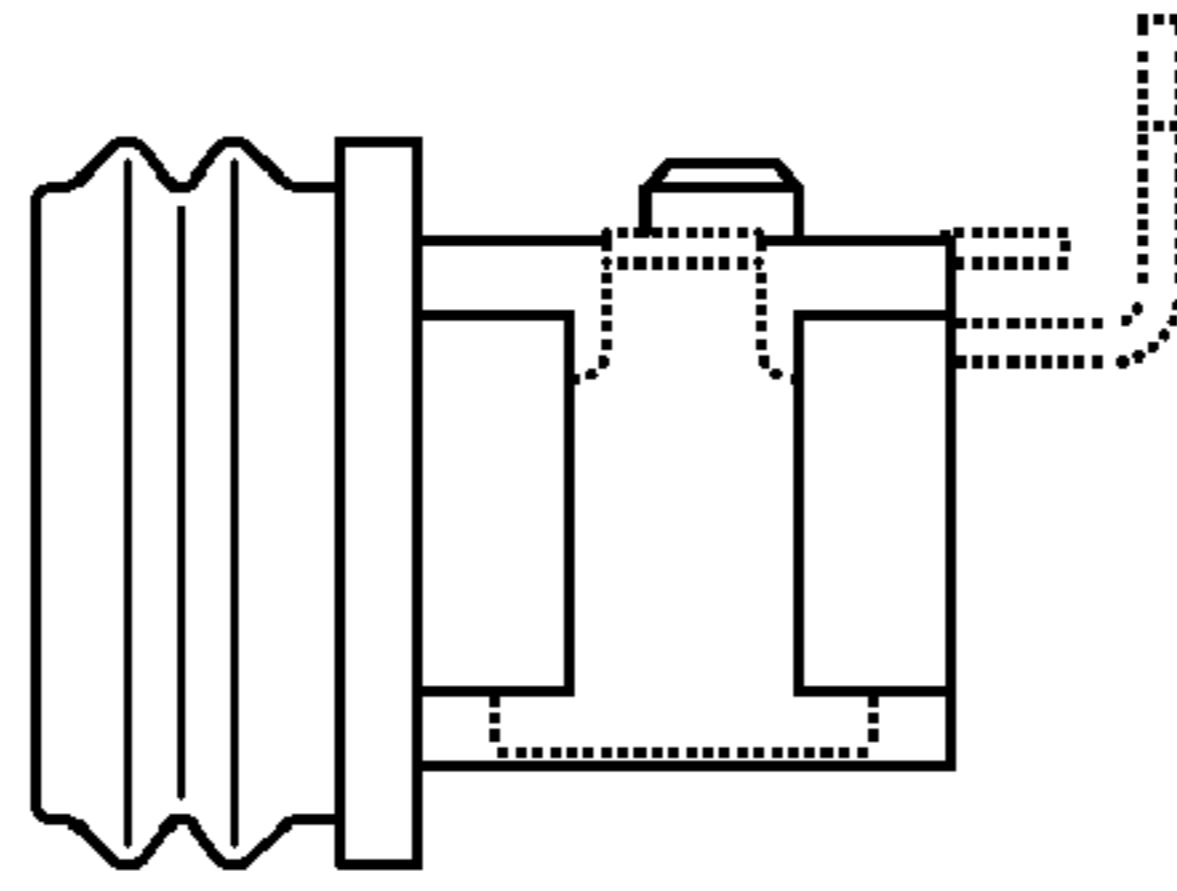


FIG. 4

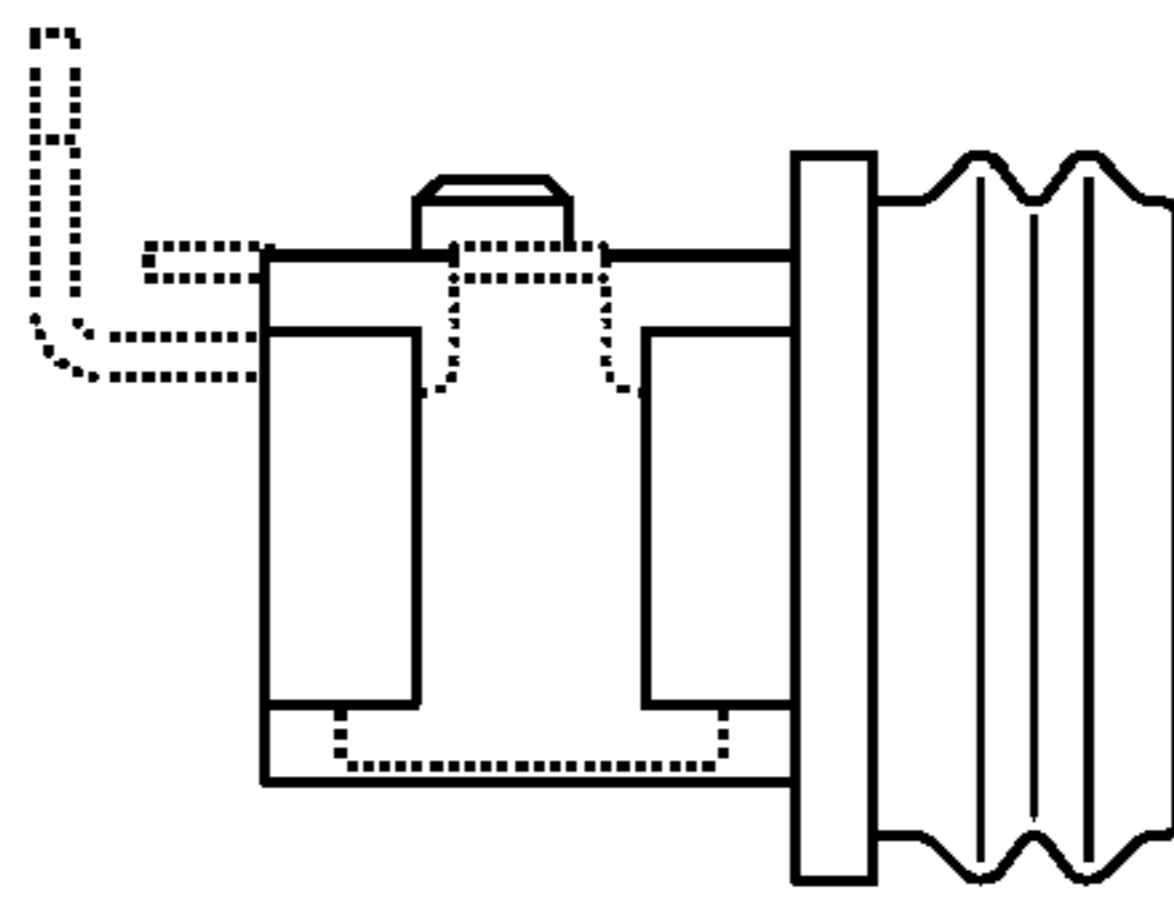


FIG. 5

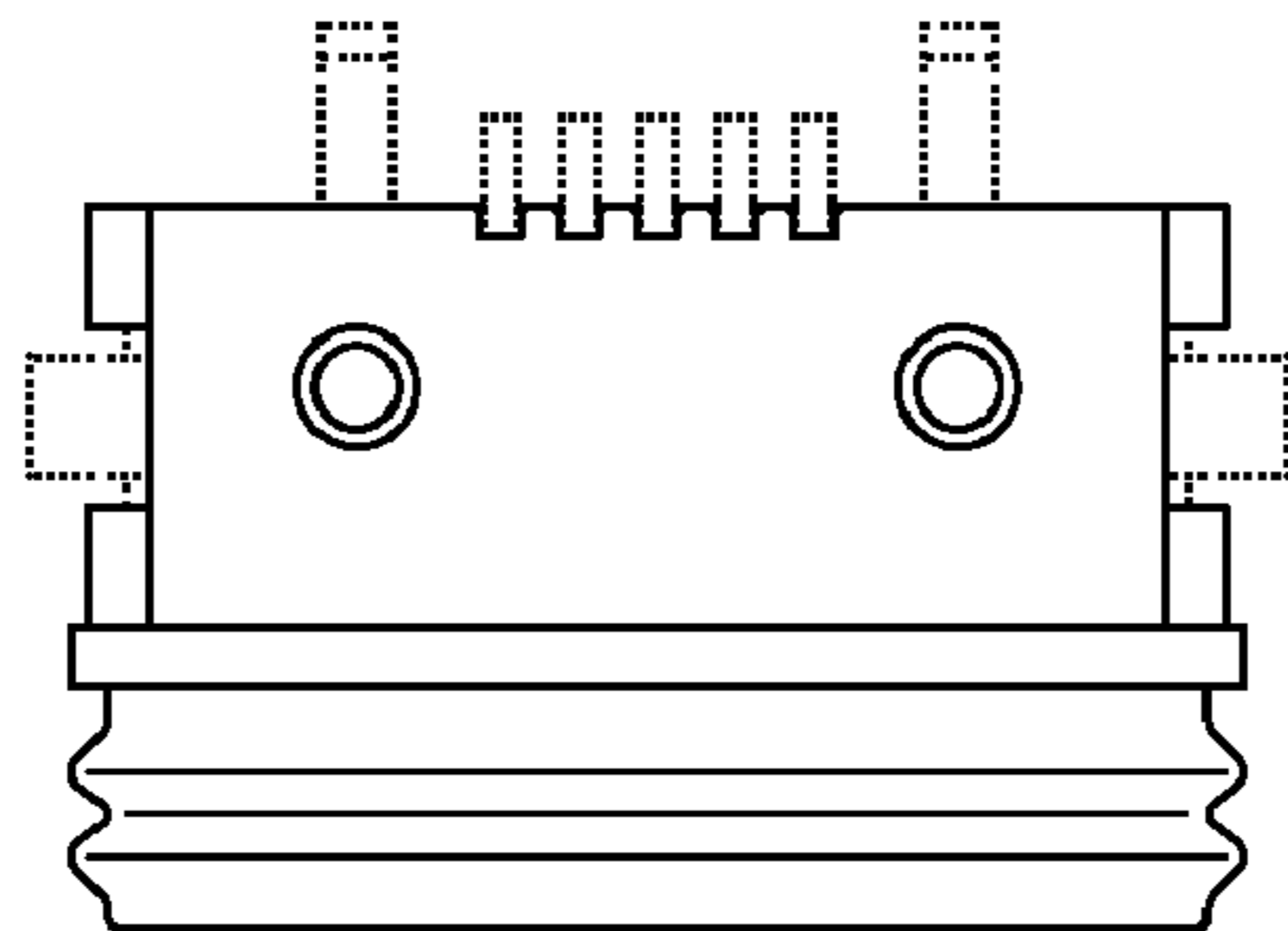


FIG. 6

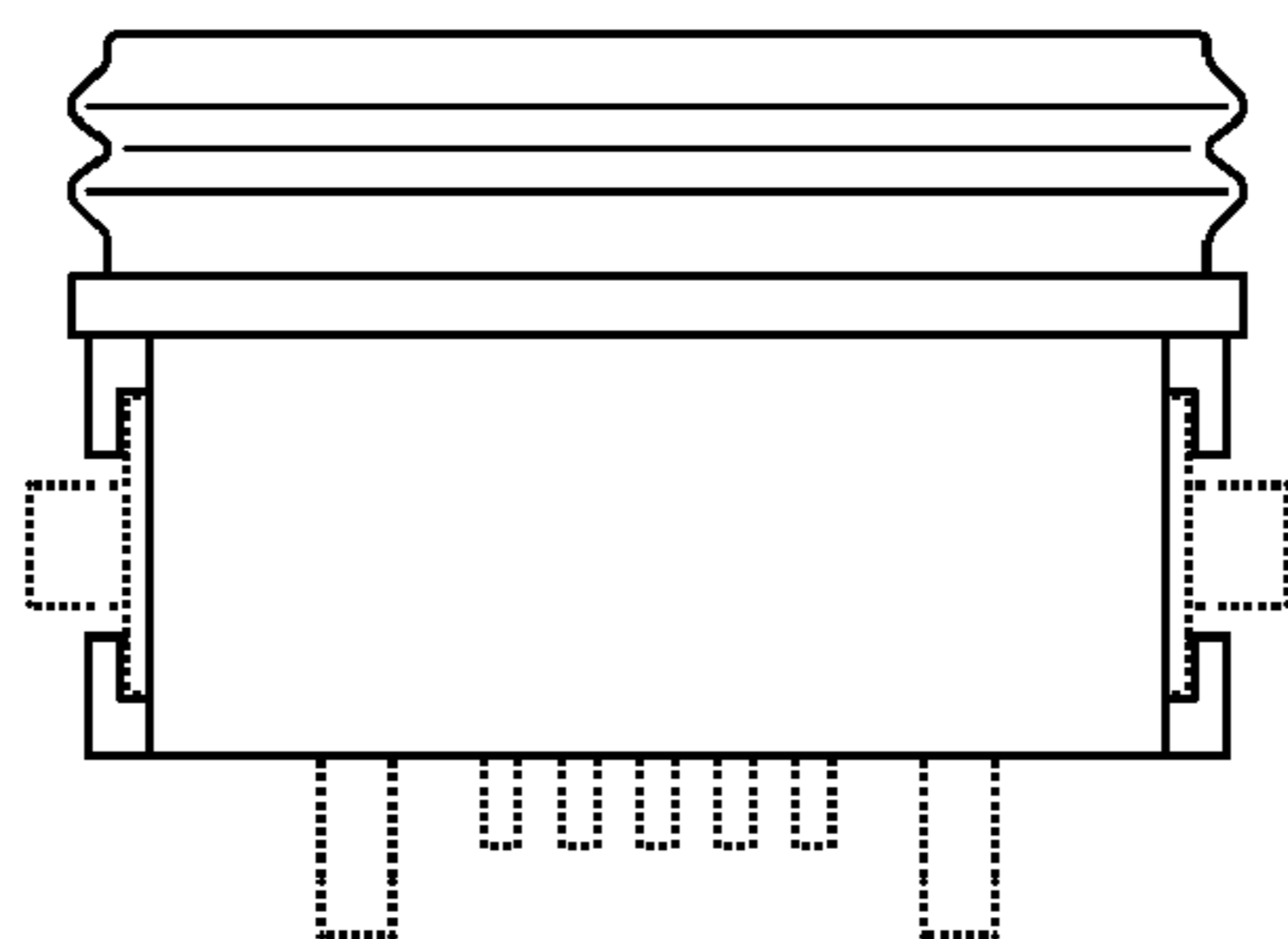


FIG. 7

UNITED STATES PATENT AND TRADEMARK OFFICE
CERTIFICATE OF CORRECTION

PATENT NO. : D660,244 S
APPLICATION NO. : 29/381917
DATED : May 22, 2012
INVENTOR(S) : Shinya Yudate

Page 1 of 1

It is certified that error appears in the above-identified patent and that said Letters Patent is hereby corrected as shown below:

At column 1, lines 14-18, the entire section entitled "Foreign Application Priority Data", which begins "(30) Foreign Application Priority Data" and ends "2010-23393", should read as follows:

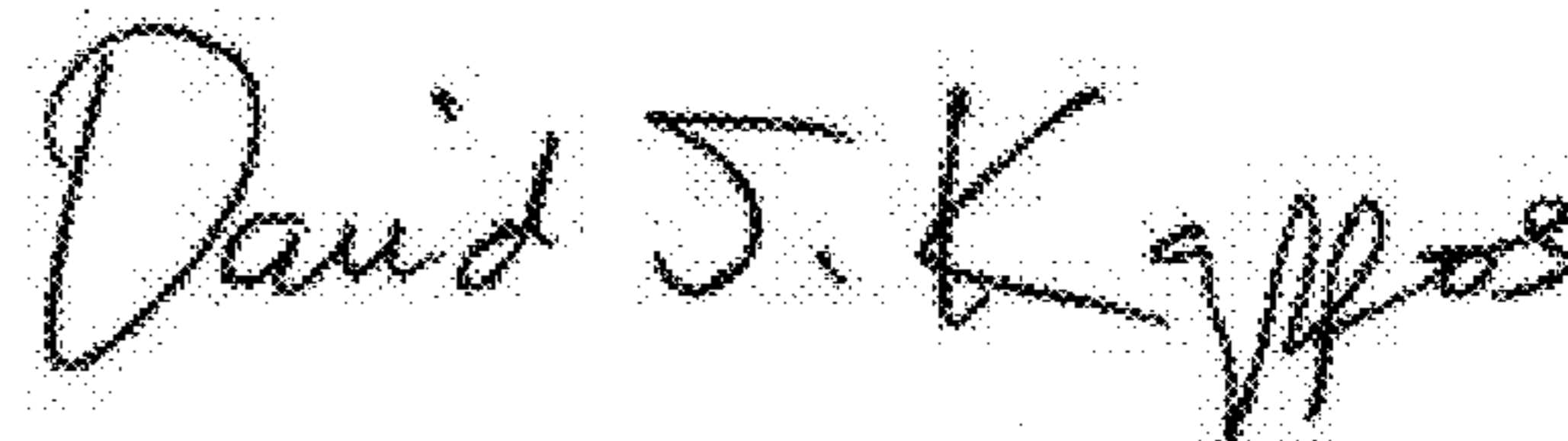
--(30) Foreign Application Priority Data
Sep. 30, 2010 (JP) 2010-23392D--

Immediately above the section entitled "DESCRIPTION", which begins at column 2, line 17, the following should be inserted:

--PRIORITY CLAIM AND INCORPORATION BY REFERENCE

This application claims benefit of priority under 35 USC 119(a)-(d) to Japanese Design Registration Application No. 2010-23392, filed 30 September 2010, for an ornamental design for a waterproof electrical connector, the content of which is hereby incorporated herein by reference in its entirety.--

Signed and Sealed this
Tenth Day of July, 2012



David J. Kappos
Director of the United States Patent and Trademark Office