

US00D660239S

(12) **United States Design Patent**
Chiang

(10) **Patent No.:** **US D660,239 S**

(45) **Date of Patent:** **** May 22, 2012**

(54) **PLUG CONNECTOR**

(75) Inventor: **Chih-Hsien Chiang**, New Taipei (TW)

(73) Assignee: **Cheng Uei Precision Industry Co., Ltd.**, New Taipei (TW)

(**) Term: **14 Years**

(21) Appl. No.: **29/389,696**

(22) Filed: **Apr. 14, 2011**

(51) **LOC (9) Cl.** **13-03**

(52) **U.S. Cl.** **D13/146**

(58) **Field of Classification Search** D13/120,
D13/133, 146, 147, 154, 184, 199; 439/180,
439/246, 278, 374, 379, 381, 476.1, 527,
439/529, 533, 607.01, 607.04, 607.23, 607.24,
439/607.25, 607.35, 607.36, 607.37, 607.38,
439/607.39, 607.4, 607.55, 607.56, 607.57,
439/607.58

See application file for complete search history.

(56) **References Cited**

U.S. PATENT DOCUMENTS

D208,551 S * 9/1967 Gels D13/133
D473,192 S * 4/2003 Ouchi et al. D13/147
D592,135 S * 5/2009 Hung D13/120

7,878,848 B1 * 2/2011 Yang et al. 439/567
D647,854 S * 11/2011 Lin D13/146
D647,855 S * 11/2011 Chiang D13/146
D647,856 S * 11/2011 Chiang D13/146

* cited by examiner

Primary Examiner — Daniel Bui

(74) *Attorney, Agent, or Firm* — Cheng-Ju Chiang

(57) **CLAIM**

The ornamental design for a plug connector, as shown and described.

DESCRIPTION

FIG. 1 is a perspective view of a plug connector showing my new design;

FIG. 2 is a front elevational view thereof;

FIG. 3 is a rear elevational view thereof;

FIG. 4 is a left side elevational view thereof;

FIG. 5 is a right side elevational view thereof;

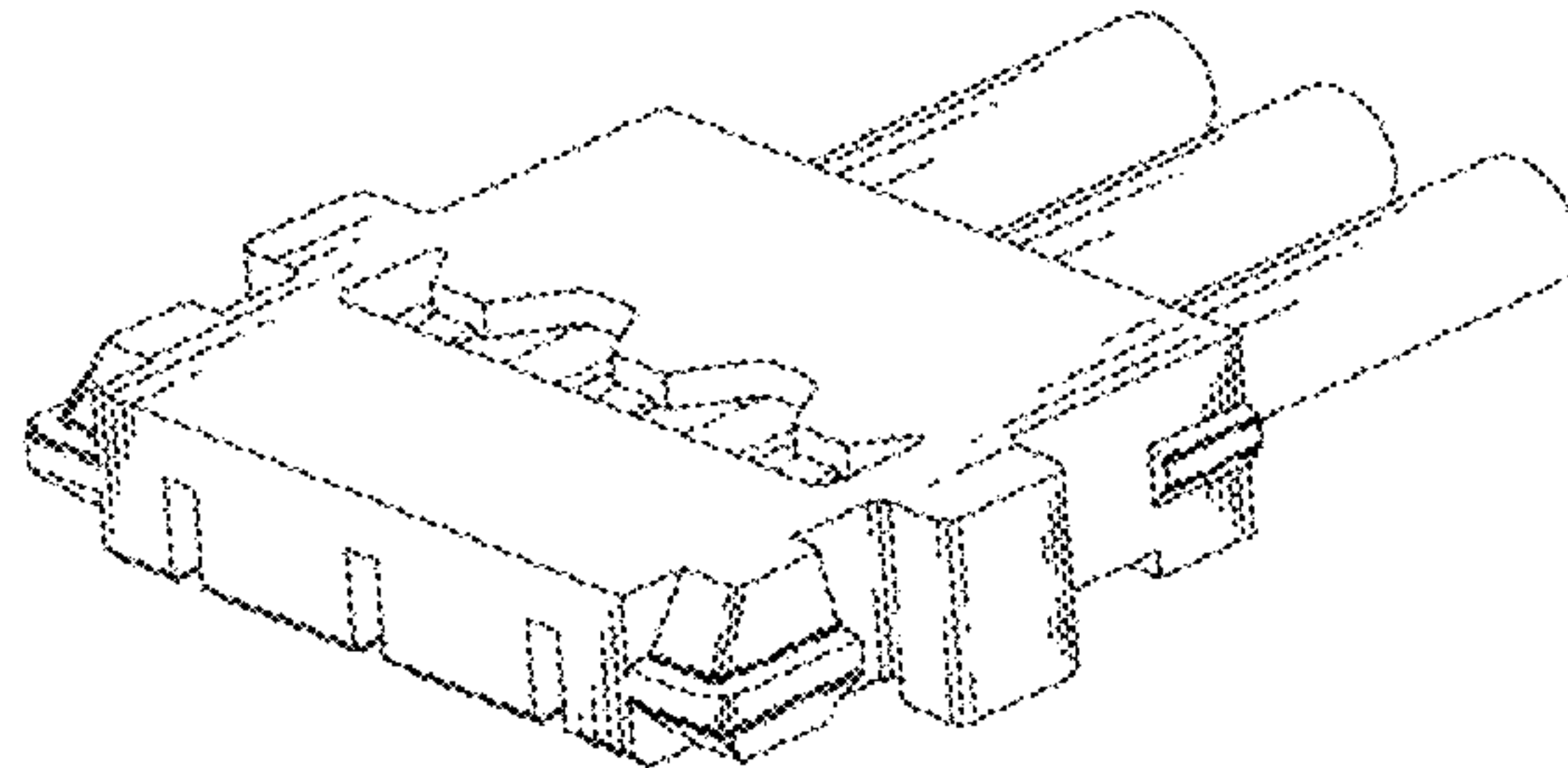
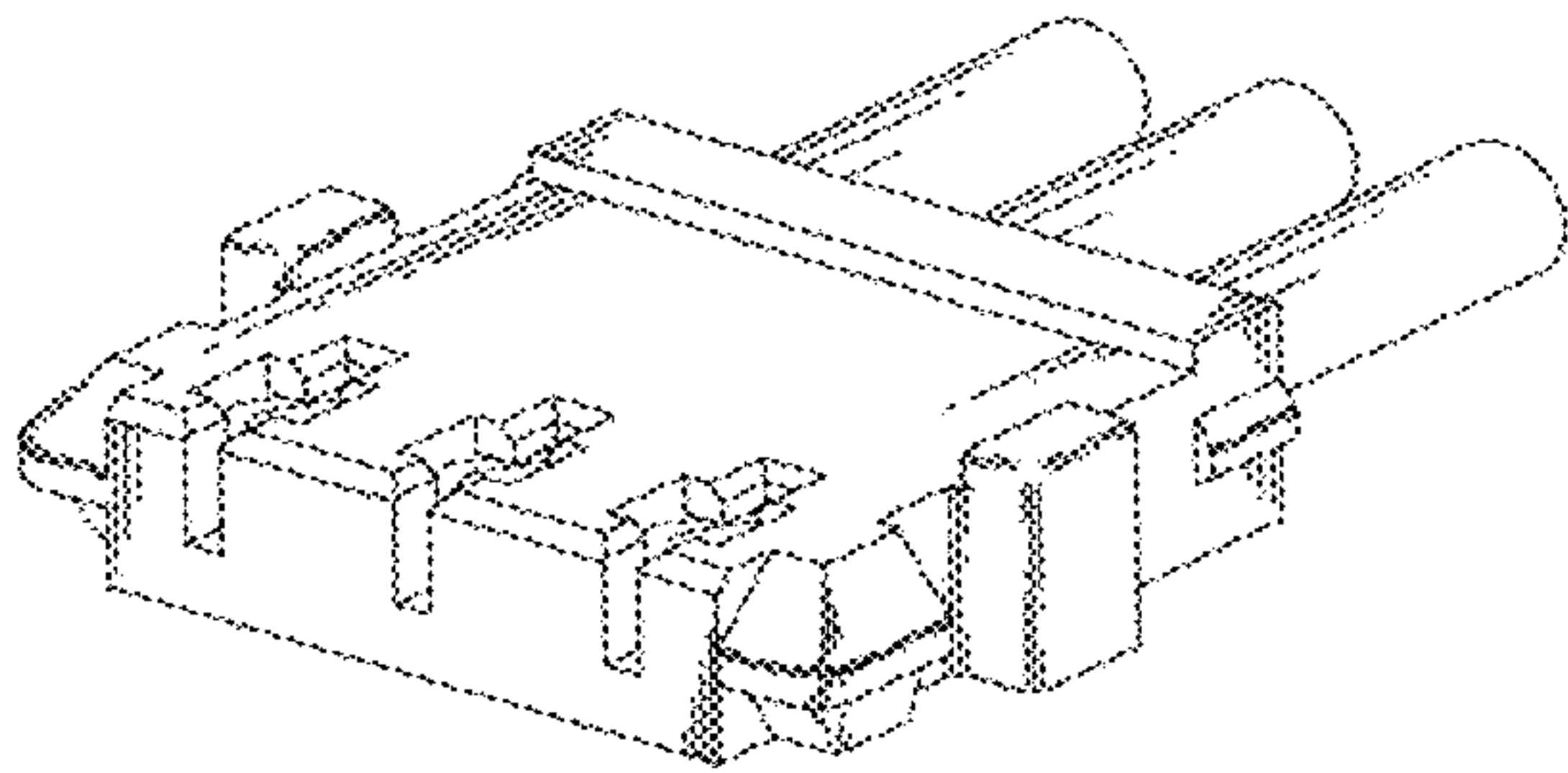
FIG. 6 is a top plan view thereof;

FIG. 7 is a bottom plan view thereof; and,

FIG. 8 is another perspective view of the plug connector showing my new design.

The broken line portion of the figure drawings is included to show unclaimed subject matter only and forms no part of the claimed design.

1 Claim, 8 Drawing Sheets



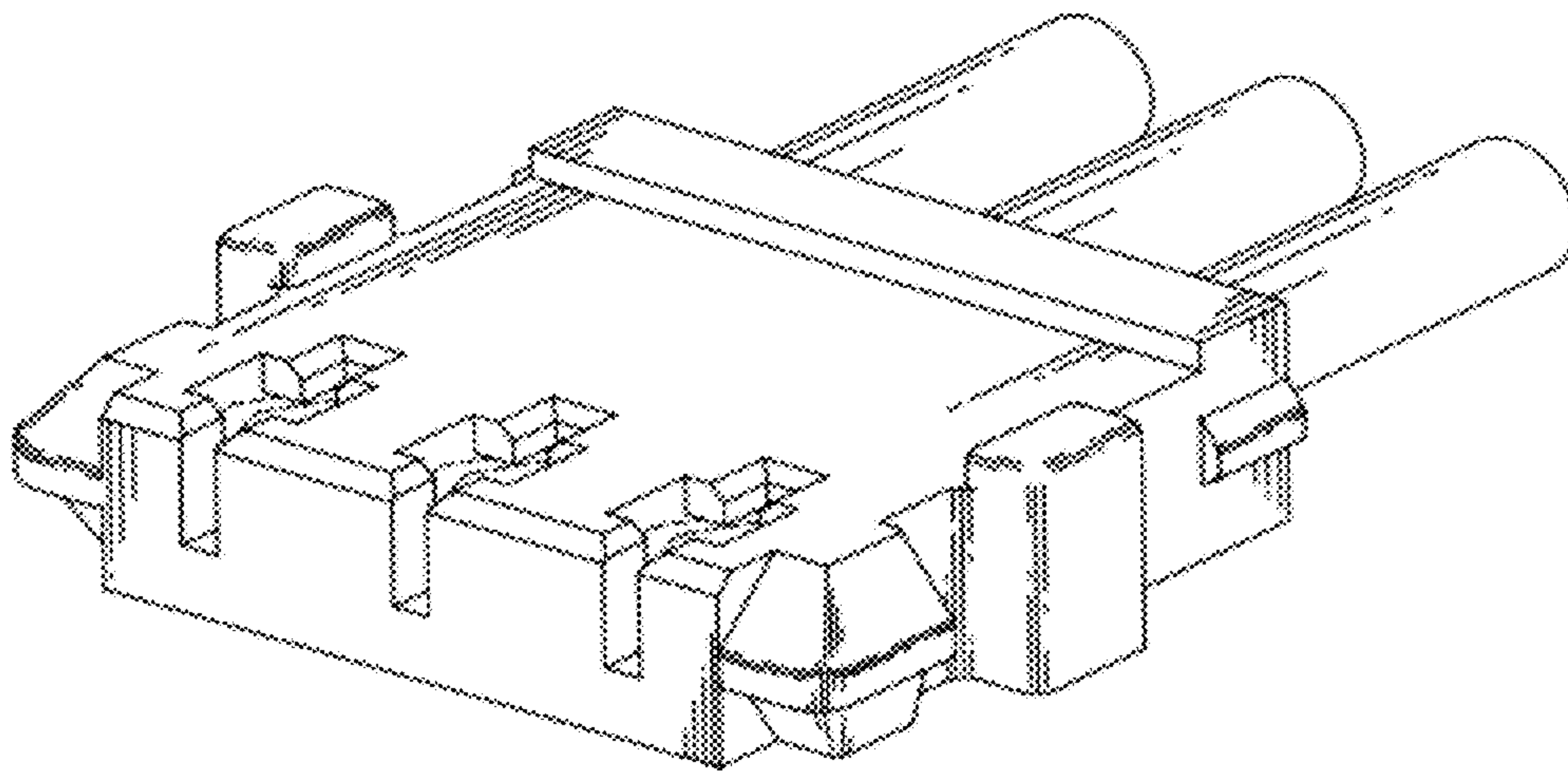


FIG. 1

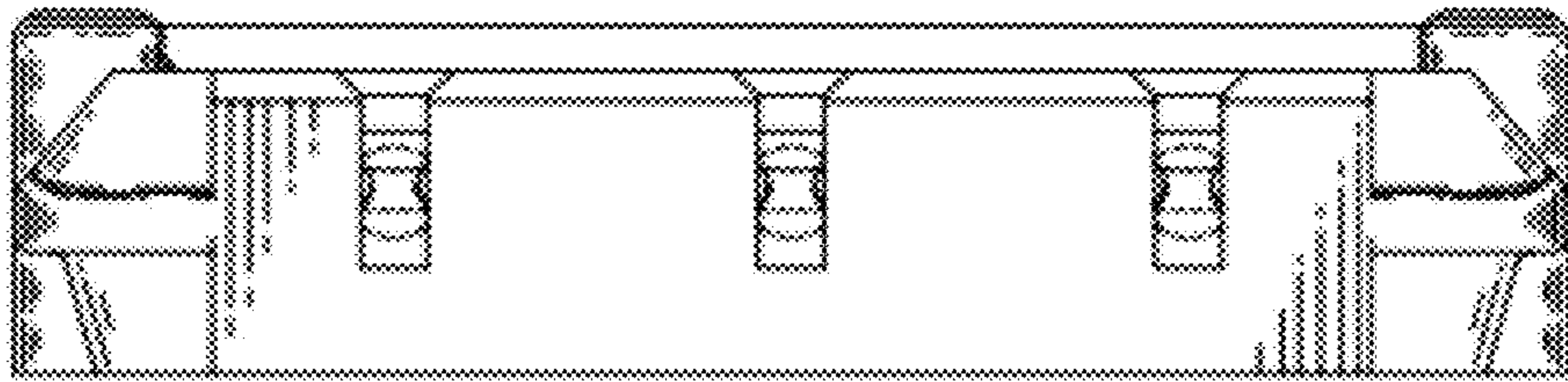


FIG. 2

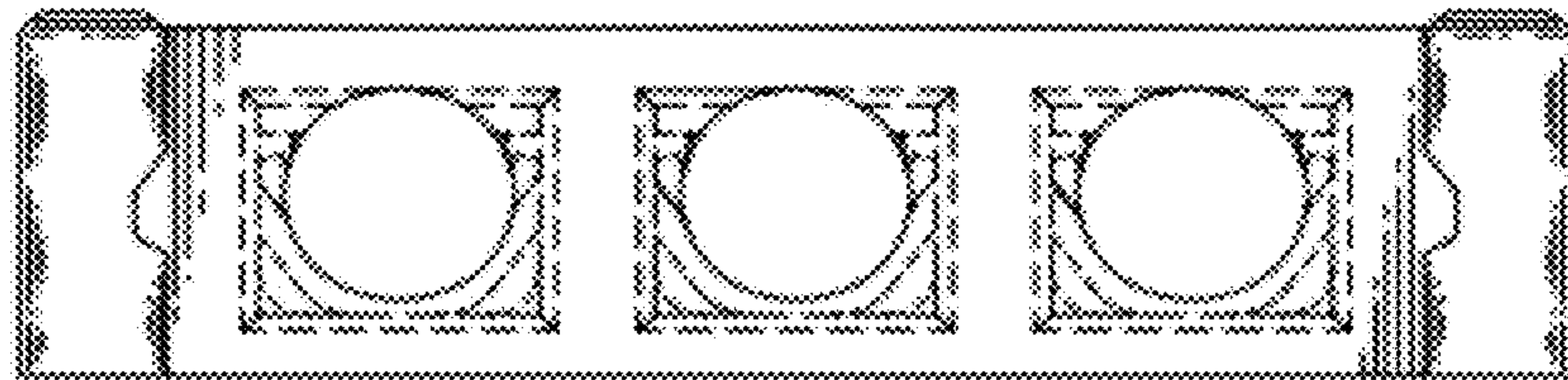


FIG. 3

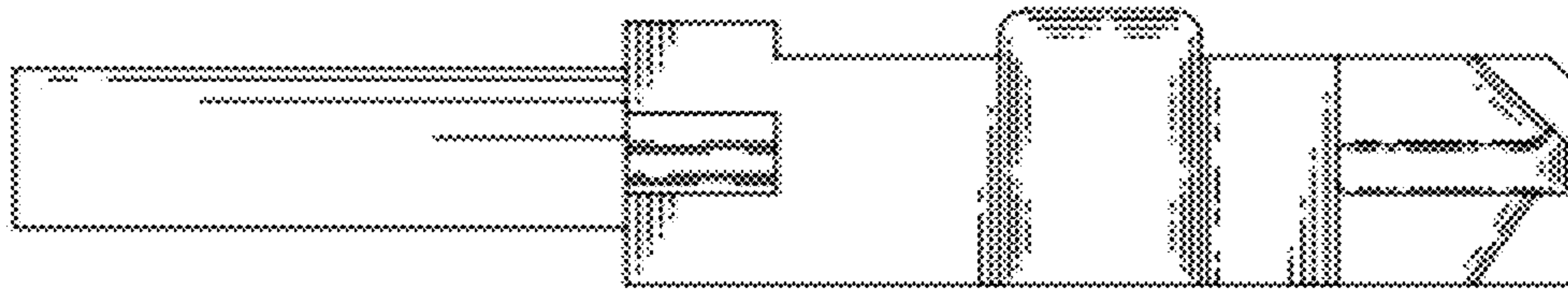


FIG. 4

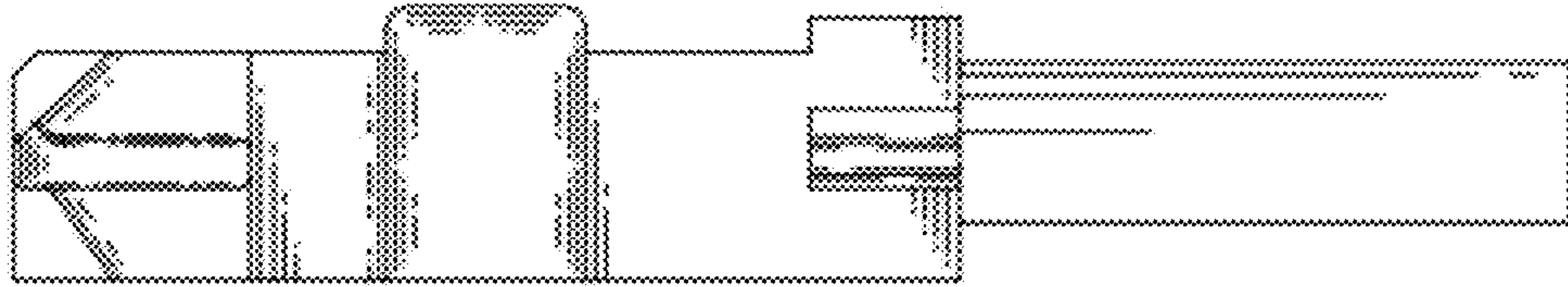


FIG. 5

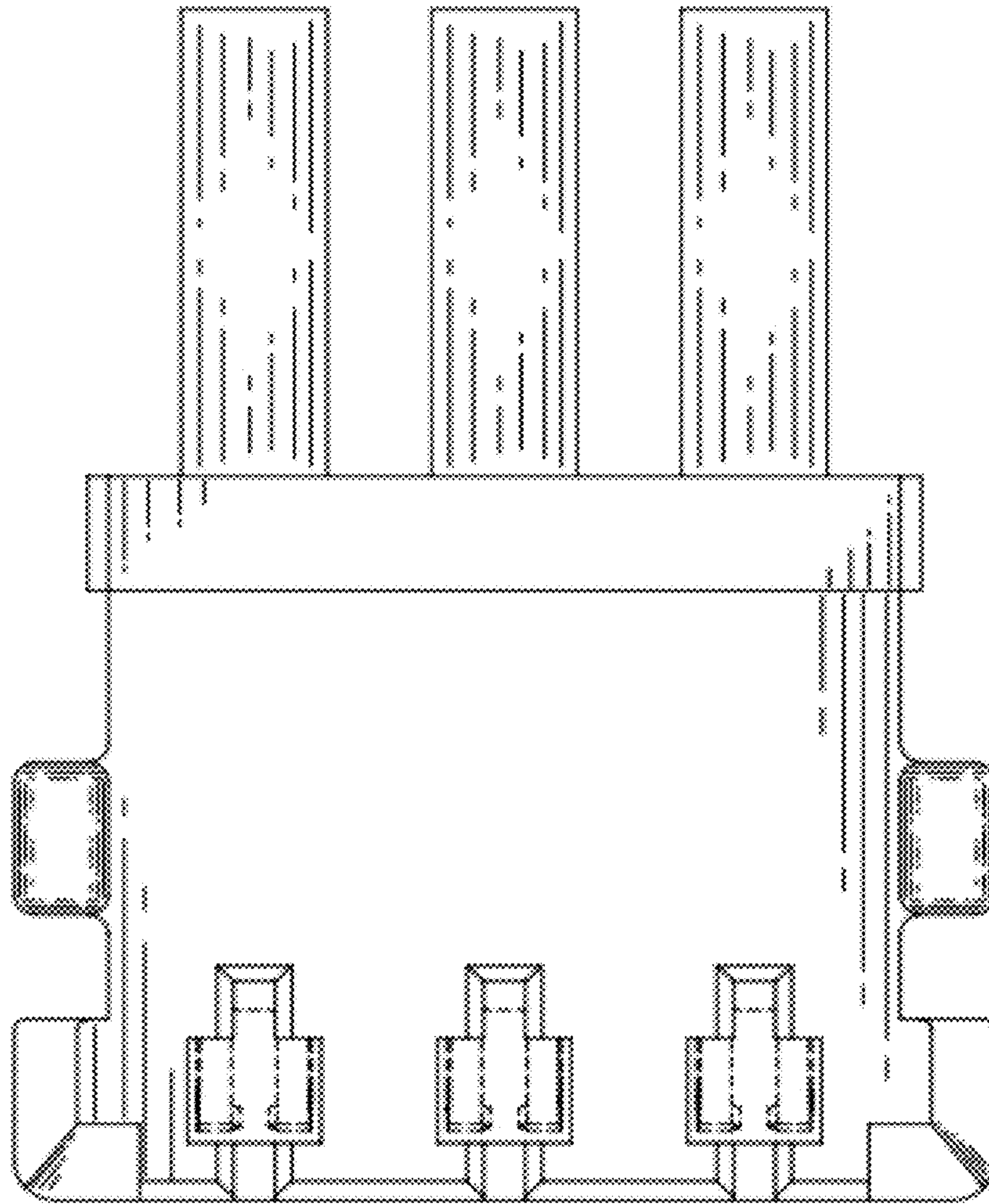


FIG. 6

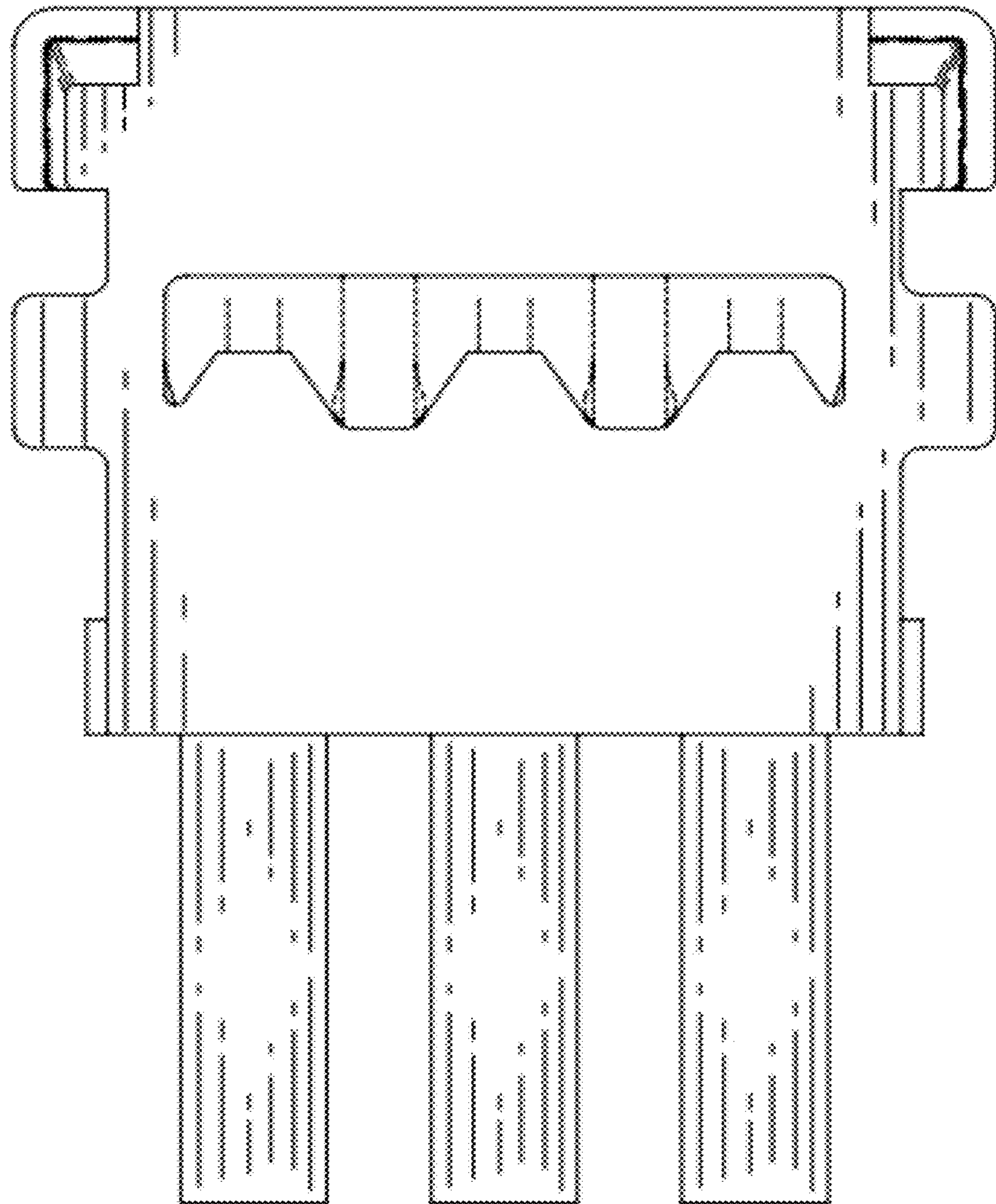


FIG. 7

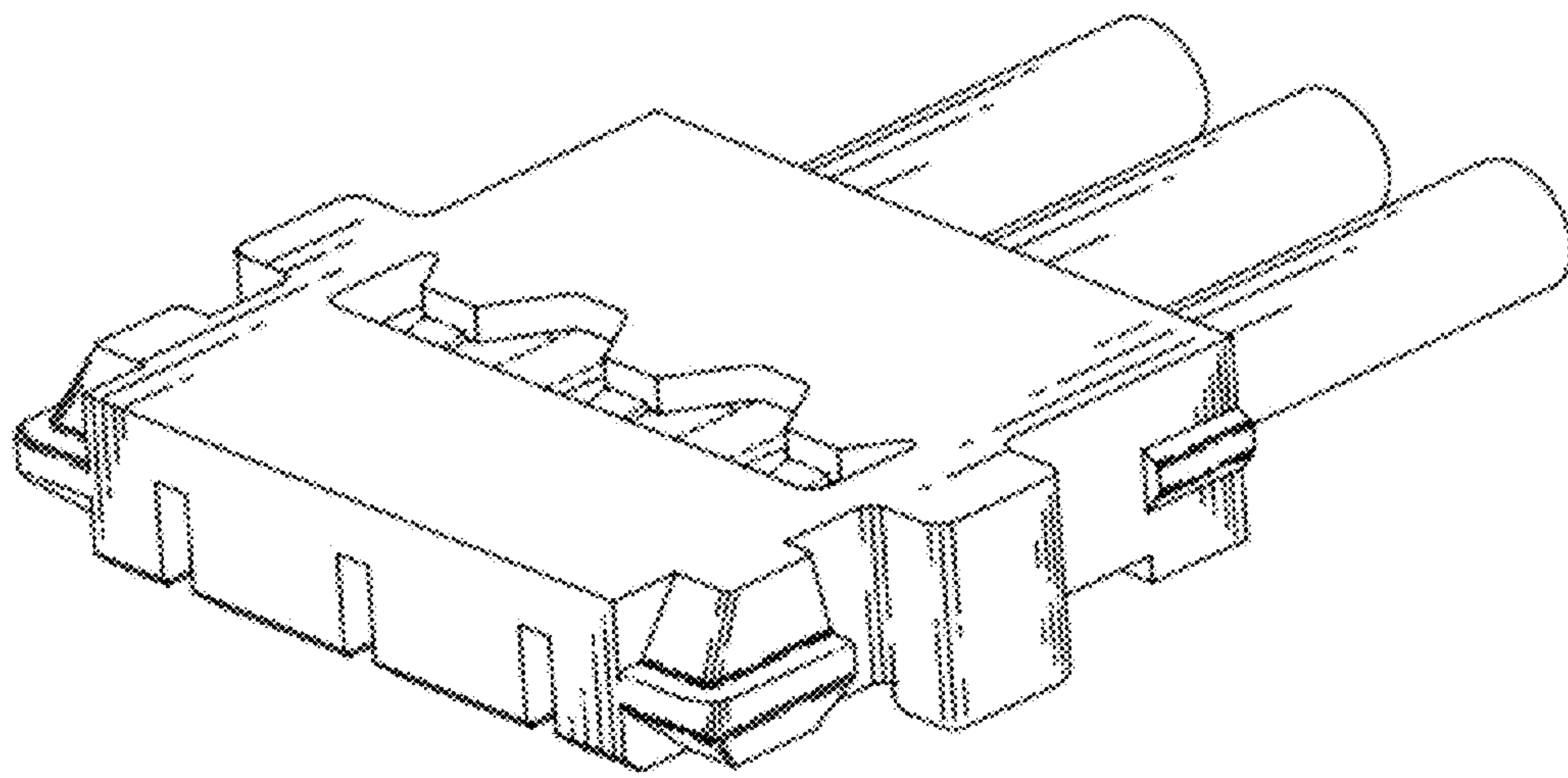


FIG. 8