



US00D660238S

(12) **United States Design Patent**  
**Chiang**

(10) **Patent No.:** **US D660,238 S**

(45) **Date of Patent:** **\*\* May 22, 2012**

(54) **PLUG CONNECTOR**

(75) Inventor: **Chih-Hsien Chiang**, New Taipei (TW)

(73) Assignee: **Cheng Uei Precision Industry Co., Ltd.**, New Taipei (TW)

(\*\*) Term: **14 Years**

(21) Appl. No.: **29/389,644**

(22) Filed: **Apr. 14, 2011**

(51) **LOC (9) Cl.** ..... **13-03**

(52) **U.S. Cl.** ..... **D13/146**

(58) **Field of Classification Search** ..... D13/120,  
D13/133, 146, 147, 154, 184, 199; 439/180,  
439/246, 278, 374, 379, 381, 476.1, 527,  
439/529, 533, 607.01, 607.04, 607.23, 607.24,  
439/607.25, 607.35, 607.36, 607.37, 607.38,  
439/607.39, 607.4, 607.55, 607.56, 607.57,  
439/607.58

See application file for complete search history.

(56) **References Cited**

**U.S. PATENT DOCUMENTS**

4,427,879 A \* 1/1984 Becher et al. .... 250/215  
D399,822 S \* 10/1998 Starec et al. .... D13/139.1  
D502,919 S \* 3/2005 Studnicky, III ..... D13/146

D629,755 S \* 12/2010 Oda et al. .... D13/147  
D642,129 S \* 7/2011 Ohkuma ..... D13/133  
D647,855 S \* 11/2011 Chiang ..... D13/146  
D647,856 S \* 11/2011 Chiang ..... D13/146

\* cited by examiner

*Primary Examiner* — Daniel Bui

(74) *Attorney, Agent, or Firm* — Cheng-Ju Chiang

(57) **CLAIM**

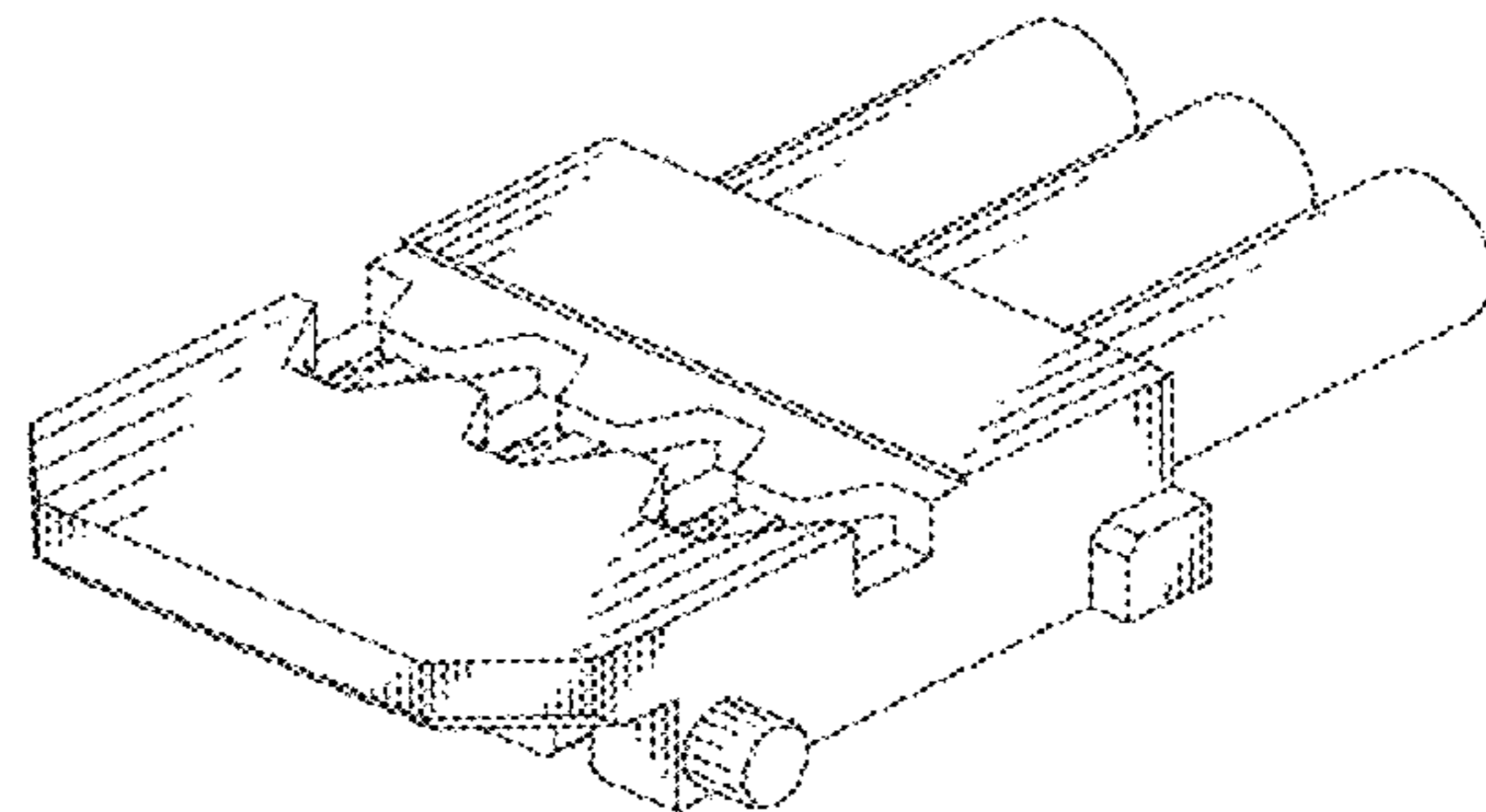
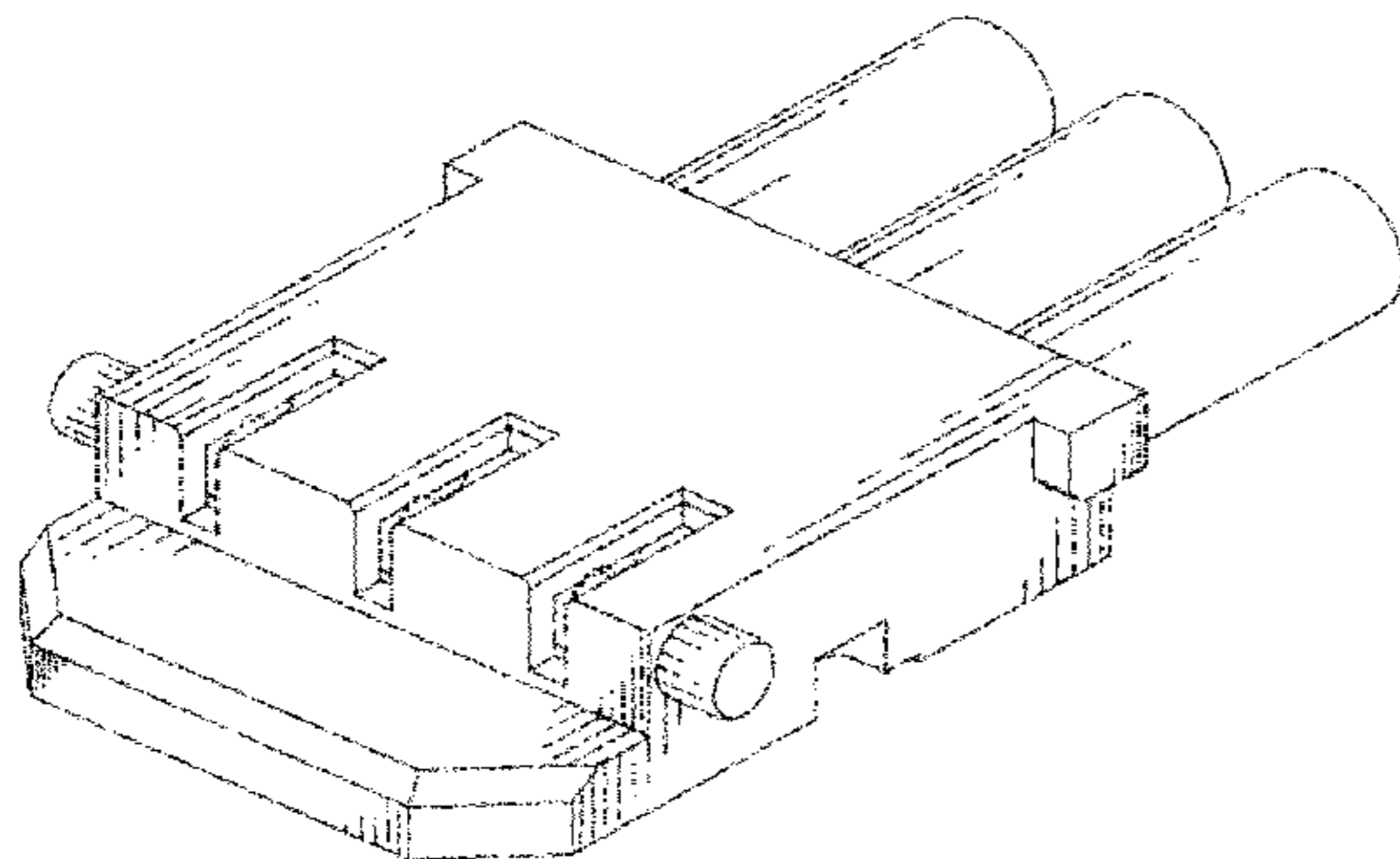
The ornamental design for a plug connector, as shown and described.

**DESCRIPTION**

FIG. 1 is a perspective view of a plug connector showing my new design;  
FIG. 2 is a front elevational view thereof;  
FIG. 3 is a rear elevational view thereof;  
FIG. 4 is a left side elevational view thereof;  
FIG. 5 is a right side elevational view thereof;  
FIG. 6 is a top plan view thereof;  
FIG. 7 is a bottom plan view thereof; and,  
FIG. 8 is another perspective view of the plug connector showing my new design.

The broken line portion of the figure drawings is included to show unclaimed subject matter only and forms no part of the claimed design.

**1 Claim, 8 Drawing Sheets**



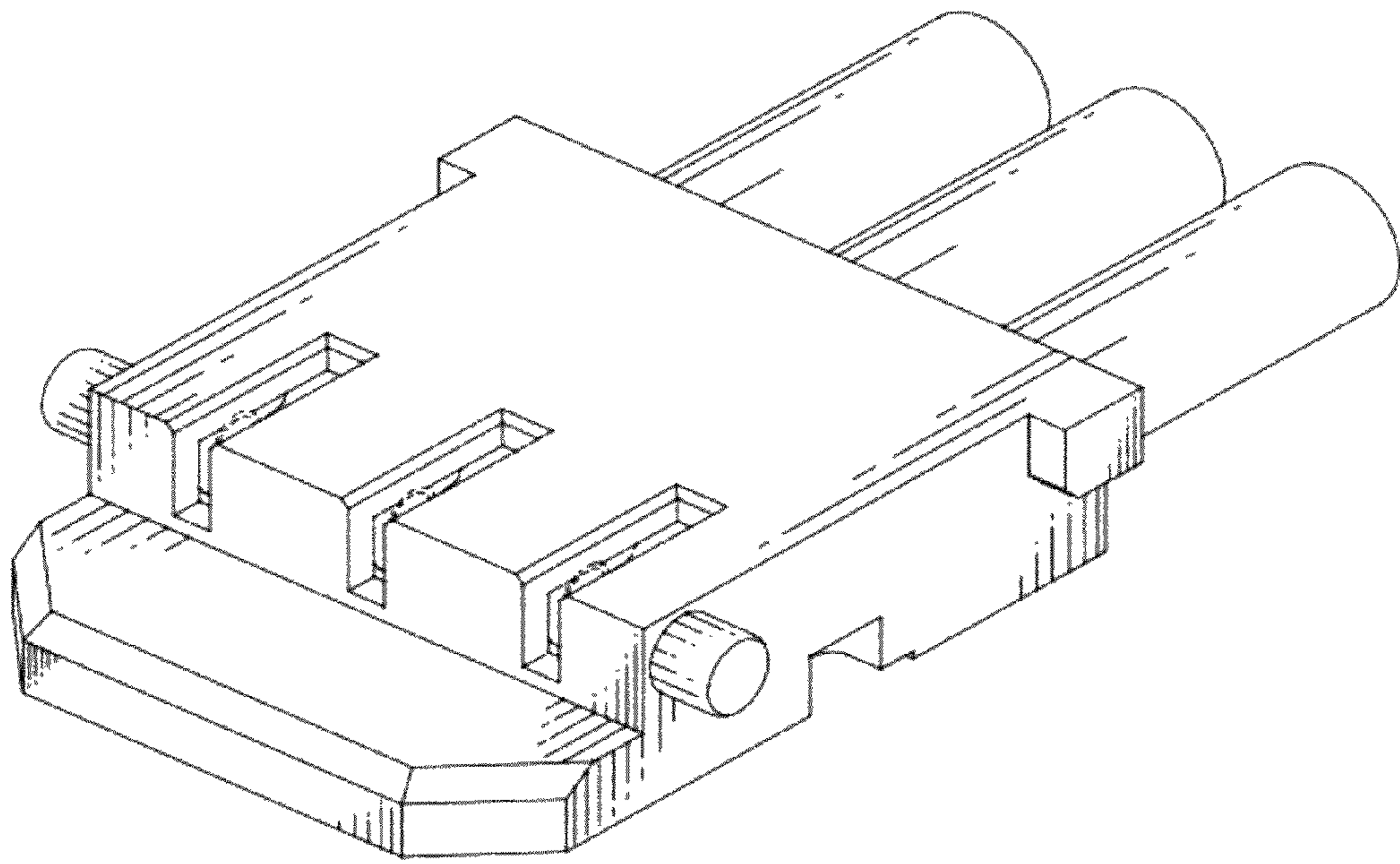


FIG. 1

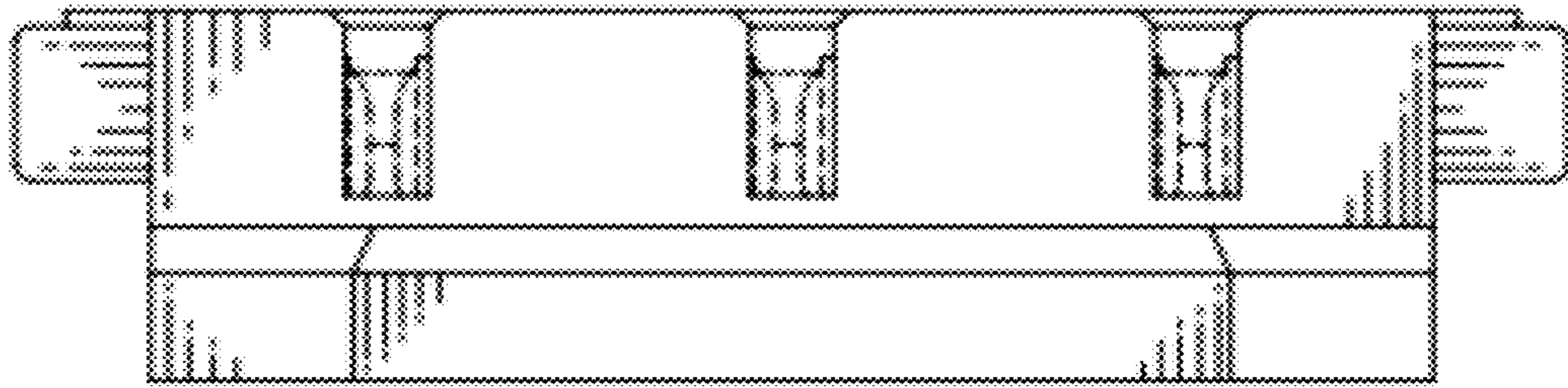


FIG. 2

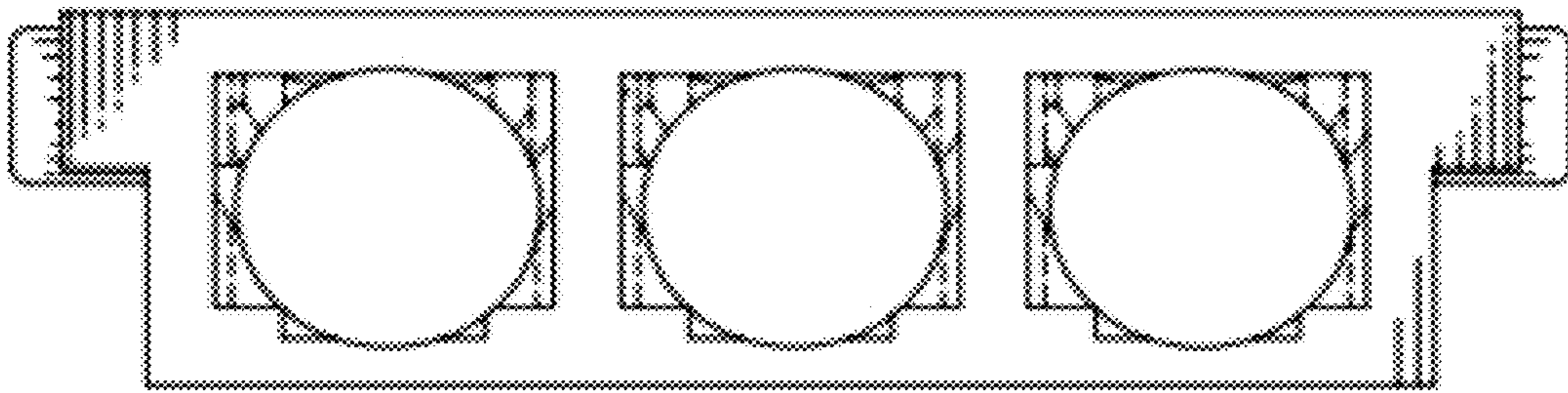


FIG. 3

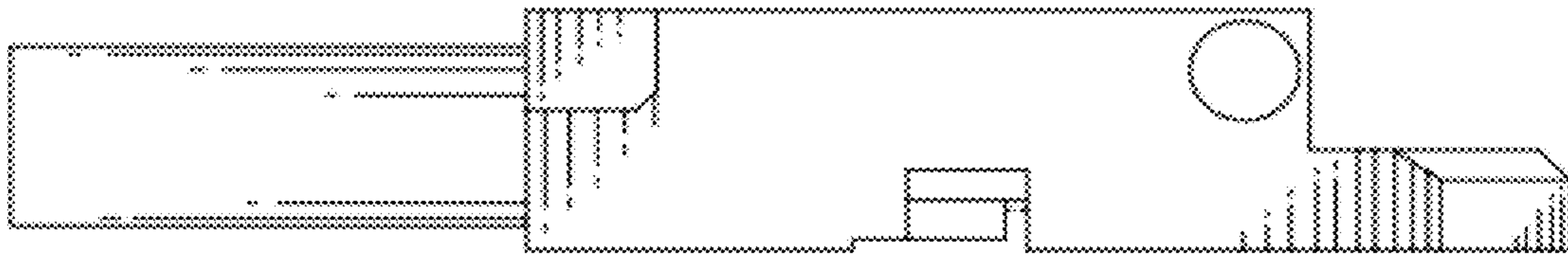


FIG. 4

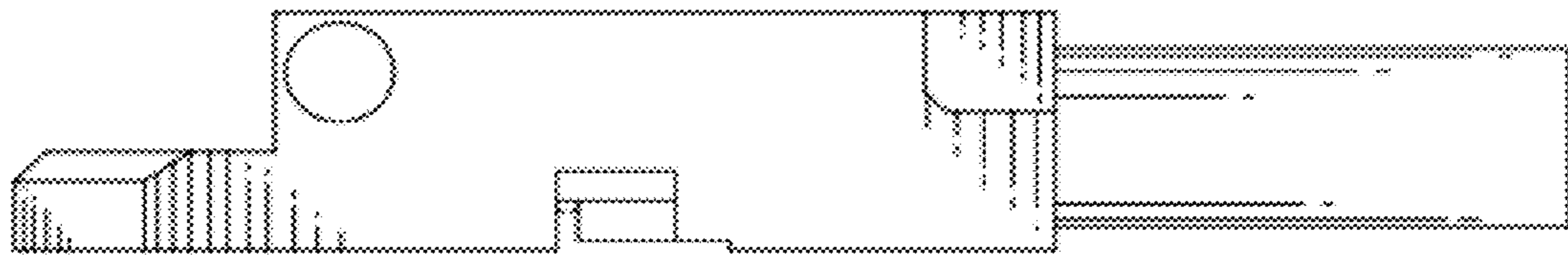


FIG. 5

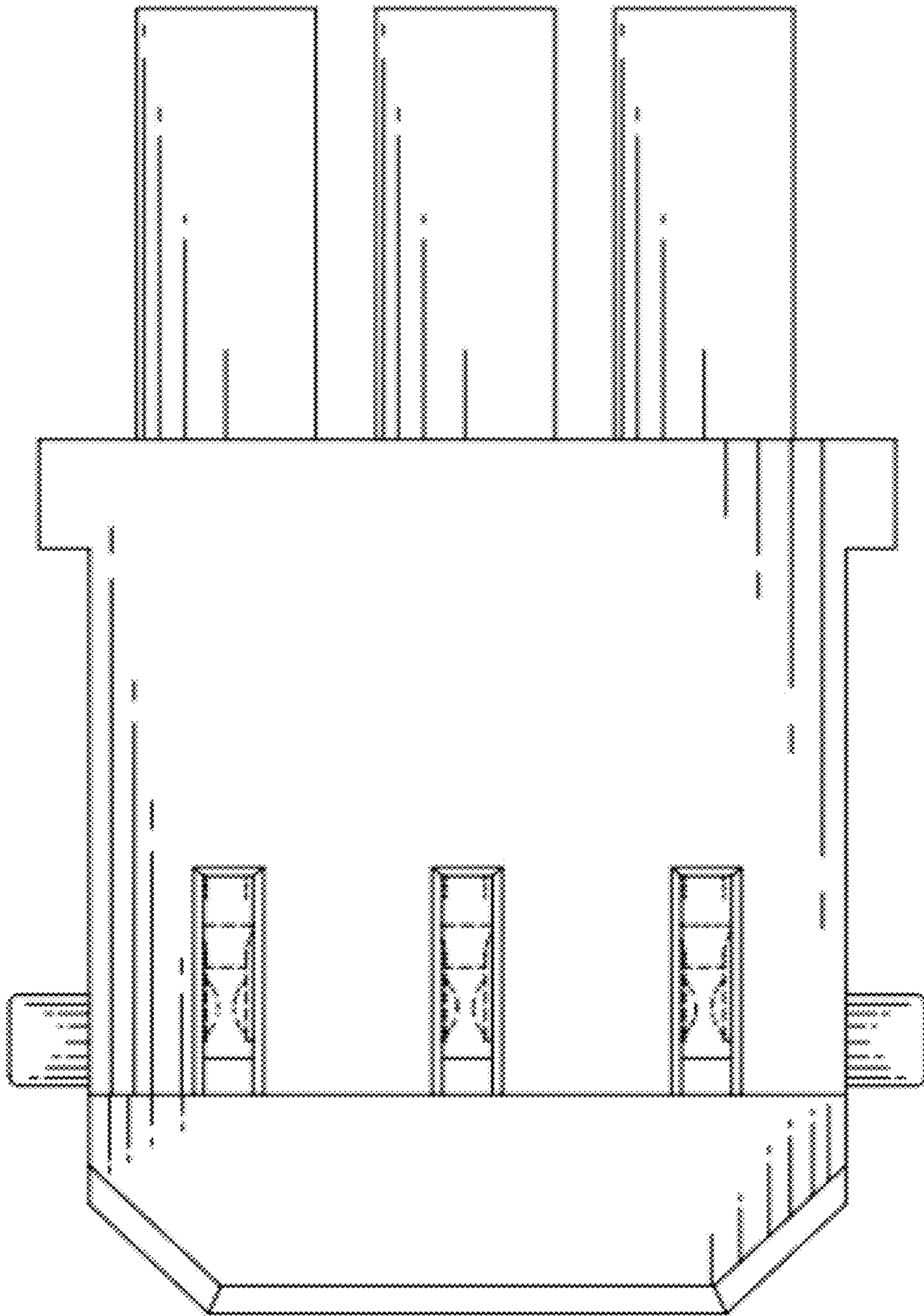


FIG. 6

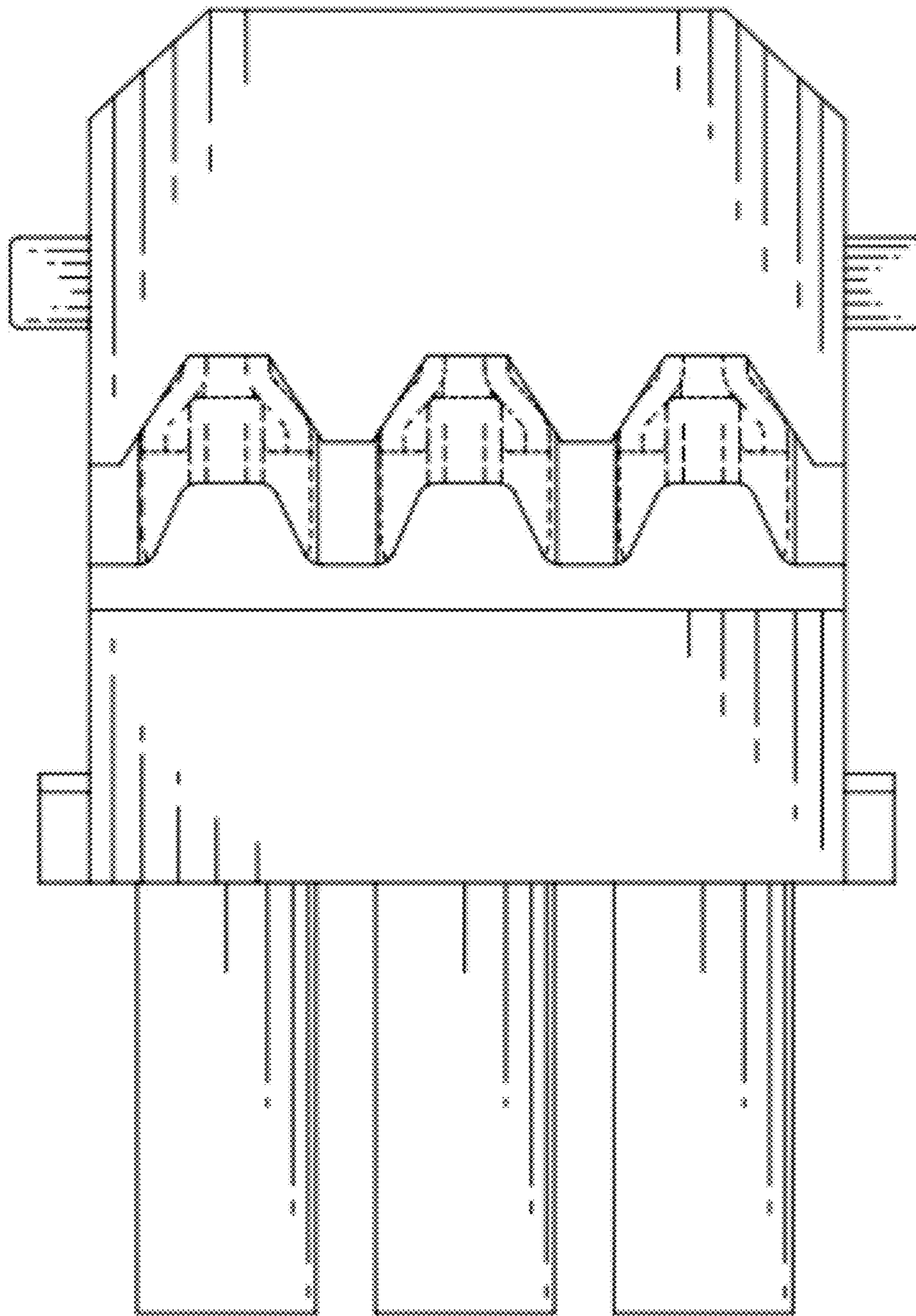


FIG. 7



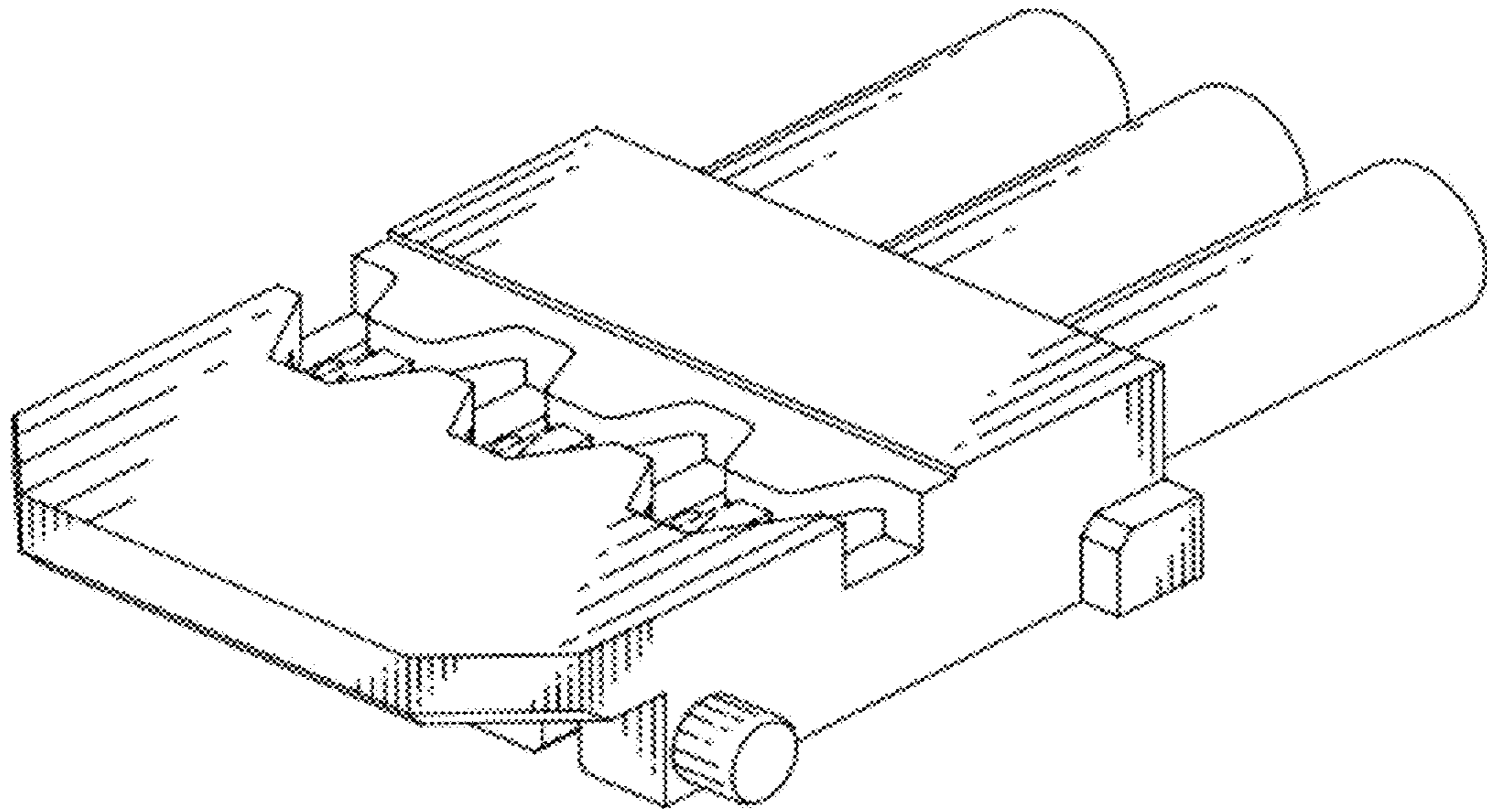


FIG. 8