

US00D660235S

(12) **United States Design Patent**
Liang-Hsu et al.

(10) **Patent No.:** **US D660,235 S**

(45) **Date of Patent:** **** *May 22, 2012**

(54) **PLUG WITH A PULL RING**

(76) Inventors: **Kuo Liang-Hsu**, New Taipei (TW);
Susan James, Pomona, CA (US); **Zheng Wei**, Dongguan (CN)

(*) Notice: This patent is subject to a terminal disclaimer.

(**) Term: **14 Years**

(21) Appl. No.: **29/391,332**

(22) Filed: **May 6, 2011**

(51) **LOC (9) Cl.** **13-03**

(52) **U.S. Cl.** **D13/138.2**

(58) **Field of Classification Search** D13/138.1,
D13/138.2, 139.1–139.8, 137.1–137.4, 133,
D13/107, 108, 146, 147, 154, 174, 177; D8/353,
D8/350; 363/15, 34, 146; 439/93, 105, 106,
439/535, 620.15, 620.21, 620.3, 620.31,
439/907, 908, 919, 650, 651, 652, 653, 654,
439/655, 692; 174/494, 53, 55, 59, 66; 320/111,
320/114, 115; 307/150, 151
See application file for complete search history.

(56) **References Cited**

U.S. PATENT DOCUMENTS

1,714,763	A	5/1929	Boyson
1,749,623	A	3/1930	Zinman
D88,337	S	11/1932	Massey
2,030,115	A	2/1936	Muldoon
2,224,547	A	12/1940	Ludwig
D148,105	S	12/1947	Gossard
D155,149	S	9/1949	Gossard
2,507,092	A	5/1950	Cline
D159,196	S	7/1950	Englar
D179,343	S	12/1956	Gombar
D185,163	S	5/1959	Miller

2,977,564	A	3/1961	Civitelli et al.
3,008,115	A	11/1961	Oakes
3,160,947	A	12/1964	Sunderlin
3,431,535	A	3/1969	Munyon
D241,649	S	9/1976	Andersen, Jr. et al.
D242,464	S	11/1976	Acosta
4,042,292	A	8/1977	Chensky
4,210,377	A	7/1980	La Voque
4,307,924	A	12/1981	Gibbs
D270,628	S	9/1983	Bobrovniczky
D294,018	S	2/1988	Poliak
4,778,400	A	10/1988	Jacobs
D301,462	S	6/1989	Drew

(Continued)

Primary Examiner — Angela J Lee

(74) *Attorney, Agent, or Firm* — John K. Buche; Buche & Associates, P.C.

(57) **CLAIM**

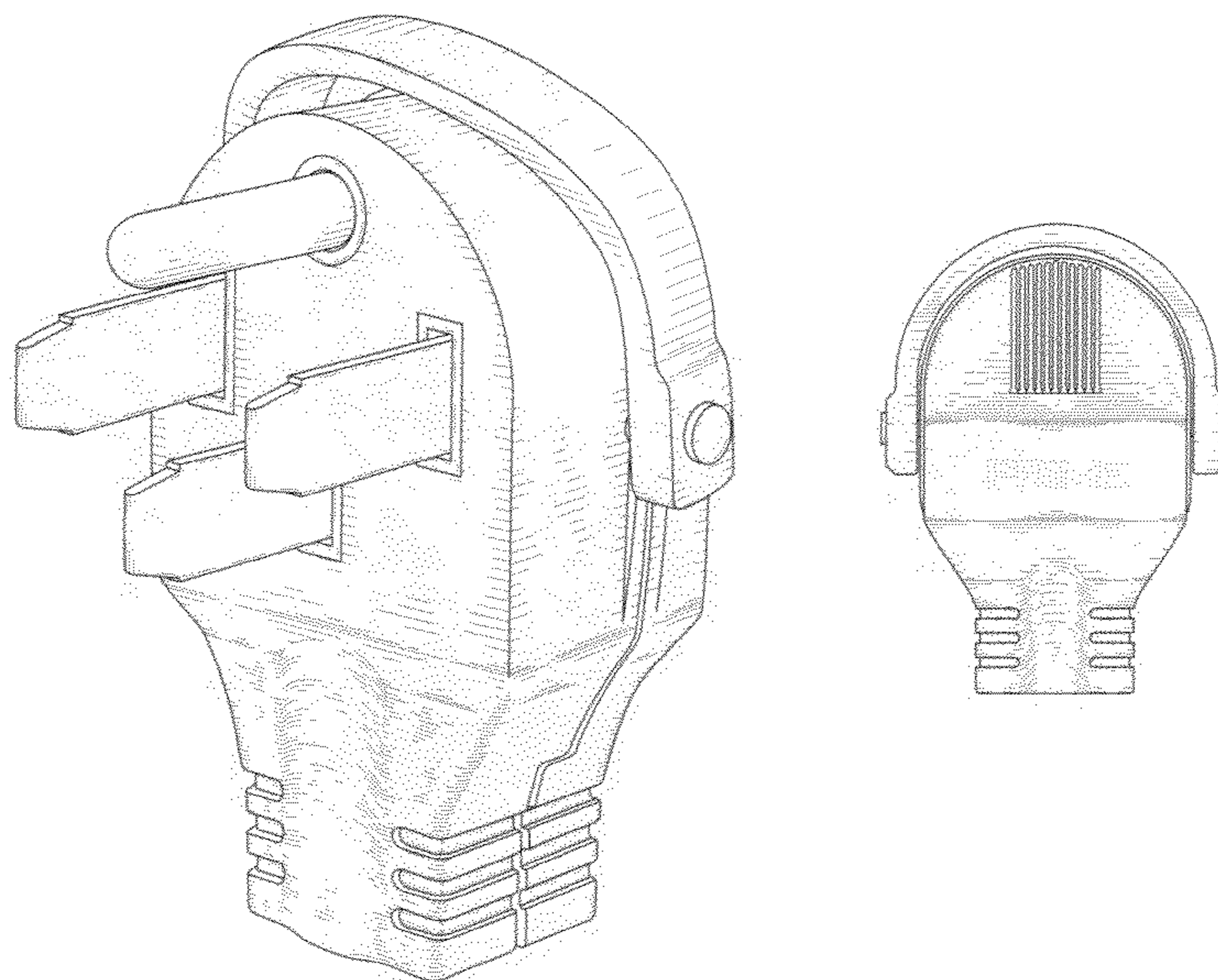
The ornamental design for plug with a pull ring, as shown and described.

DESCRIPTION

FIG. 1 is a perspective view of a plug with a pull ring.
FIG. 2 is a front view of the plug with a pull ring of FIG. 1.
FIG. 3 is a back view of the plug with a pull ring of FIG. 1.
FIG. 4 is a top view of the plug with a pull ring of FIG. 1.
FIG. 5 is a bottom view of the plug with a pull ring of FIG. 1.
FIG. 6 is a left side view of the plug with a pull ring of FIG. 1;
and,
FIG. 7 is a right side view of the plug with a pull ring of FIG. 1.

In the figures, trademarks are shown in dashed lines and do not form part of the claimed design. Also, portions of the plug with a pull ring shown in broken lines form no part of the claimed design.

1 Claim, 3 Drawing Sheets



US D660,235 S

Page 2

U.S. PATENT DOCUMENTS

D348,431 S	7/1994	Hoffman et al.	
D349,276 S	8/1994	Hoffman et al.	
D355,162 S	2/1995	Karman	
5,409,397 A	4/1995	Karman	
D360,401 S	7/1995	Chen	
5,551,882 A	9/1996	Whiteman, Jr. et al.	
5,567,181 A	10/1996	Lentz et al.	
D375,291 S	11/1996	Cheung	
D375,720 S	11/1996	Cheung	
5,591,043 A	1/1997	Kenney	
D379,964 S *	6/1997	Maddock et al.	D13/138.1
5,679,014 A	10/1997	Lan-Jen	
5,752,850 A	5/1998	Ziegler	
D401,556 S *	11/1998	Stekelenburg	D13/138.2
D404,984 S	2/1999	Skinner	
D405,759 S	2/1999	Carmo et al.	
D409,567 S	5/1999	Carmo et al.	
D413,570 S	9/1999	Intveld	
D421,960 S *	3/2000	Savicki et al.	D13/138.2
6,071,142 A	6/2000	Blackman	
D430,848 S	9/2000	Davi et al.	
D431,027 S	9/2000	Armstrong	
D445,090 S	7/2001	Payne et al.	
D467,545 S *	12/2002	Wang	D13/138.1
D474,744 S	5/2003	Wu	
D483,723 S	12/2003	Adachi et al.	
D485,239 S	1/2004	Whalin et al.	
D492,254 S	6/2004	Nakashima et al.	
D511,748 S	11/2005	Caine	
6,986,665 B2	1/2006	Schauz et al.	
7,052,309 B1	5/2006	Chen	
7,063,558 B1	6/2006	Chen	
D537,410 S *	2/2007	Yuen	D13/110
7,179,105 B1	2/2007	Hung	
D549,650 S	8/2007	Russell et al.	
D549,651 S	8/2007	Mancari et al.	
7,255,568 B1	8/2007	Wu	
D553,570 S *	10/2007	Peck	D13/138.2
D559,184 S	1/2008	Russell et al.	
D562,766 S *	2/2008	Yang	D13/110
D564,964 S	3/2008	Caine et al.	
D576,552 S	9/2008	Caine et al.	
D586,296 S *	2/2009	Liu	D13/138.2
D592,139 S *	5/2009	Wu	D13/138.2
D592,141 S	5/2009	Mancari et al.	
D594,417 S	6/2009	Ho'o et al.	
D602,434 S	10/2009	Mancari et al.	
D613,248 S	4/2010	Wu	
D635,515 S *	4/2011	Atwell et al.	D13/138.2
D638,359 S *	5/2011	Atwell et al.	D13/138.2
2007/0032109 A1	2/2007	Hung	

* cited by examiner

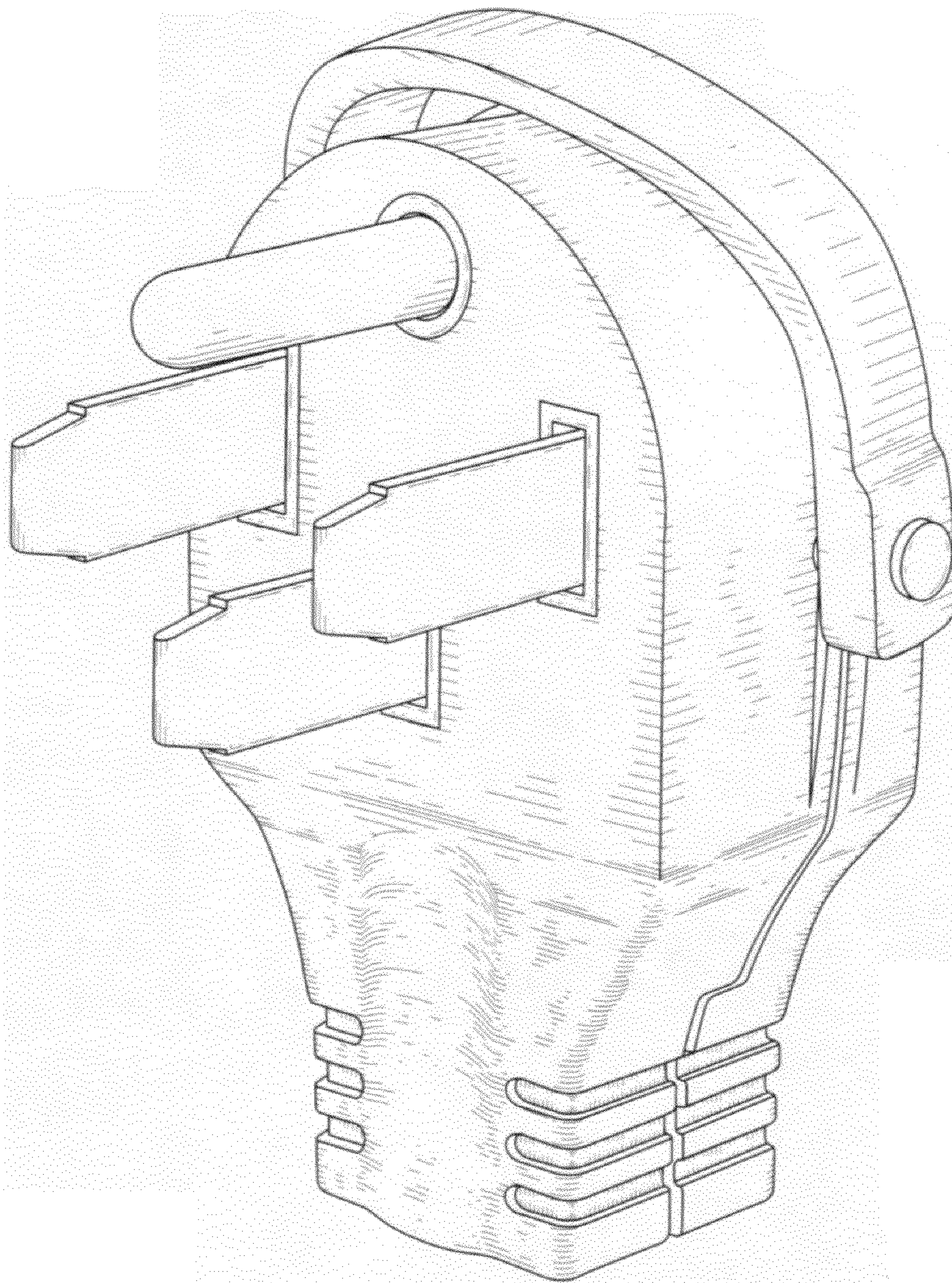


FIG. 1

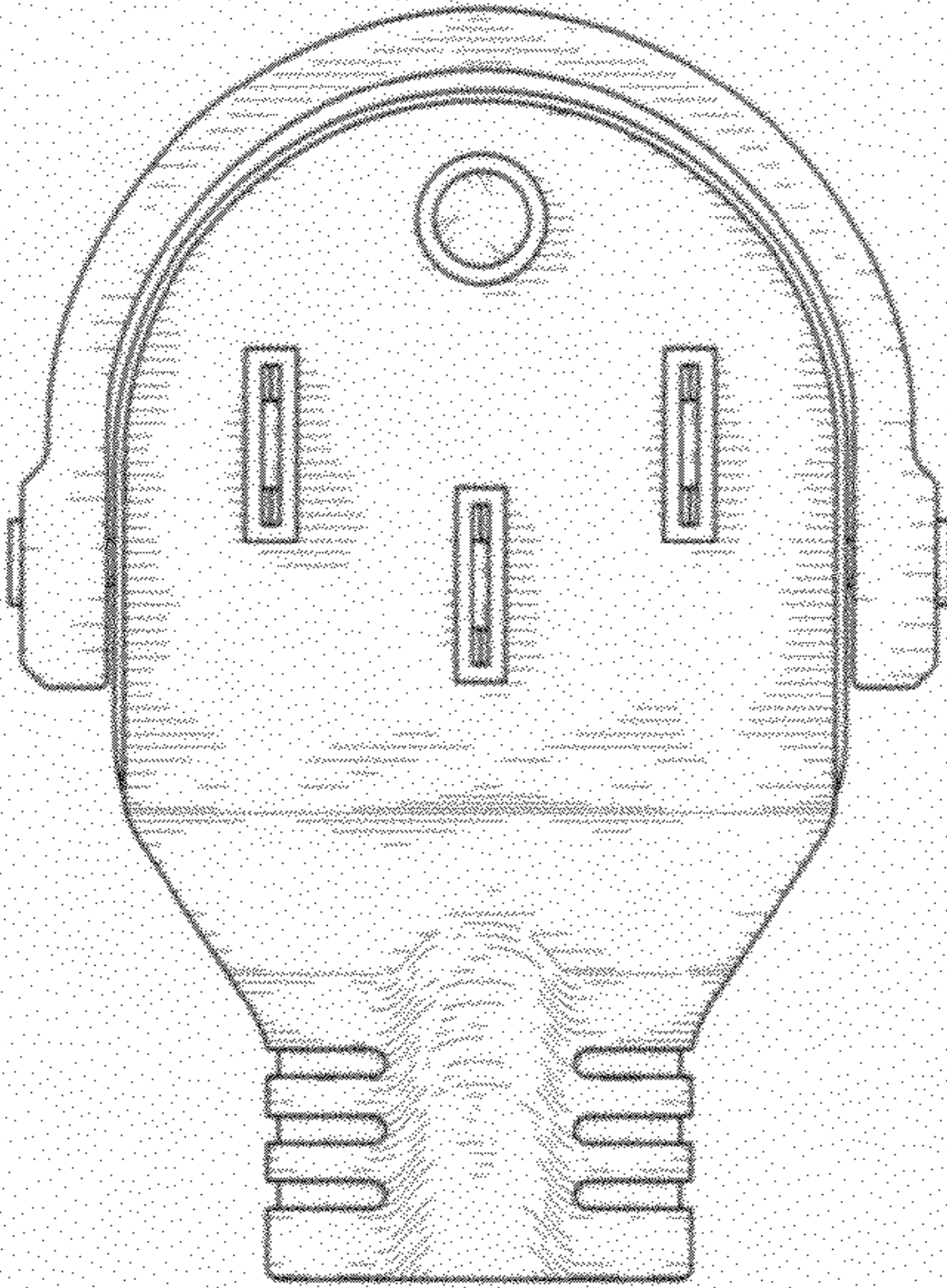


FIG. 2

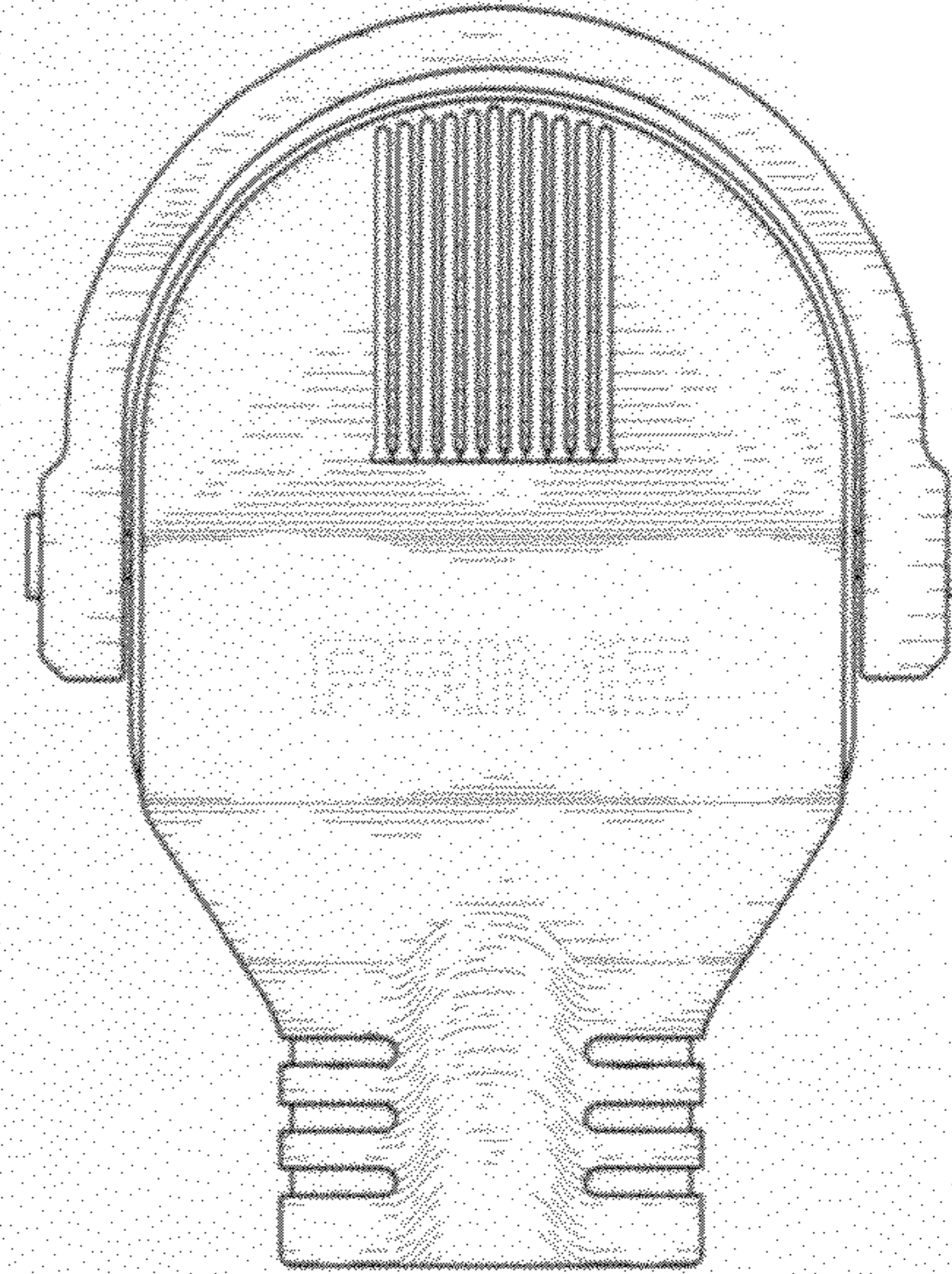


FIG. 3

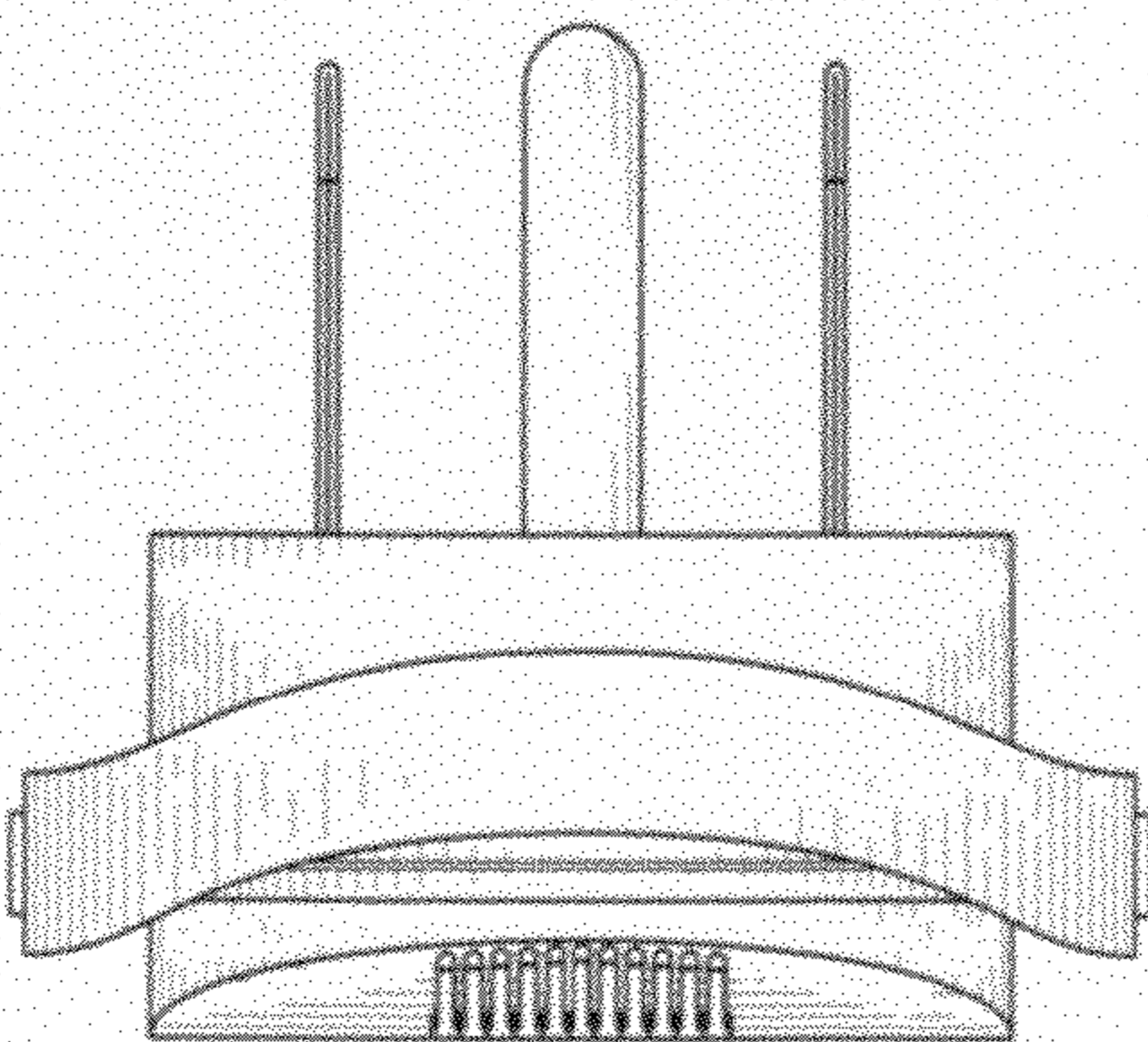


FIG. 4

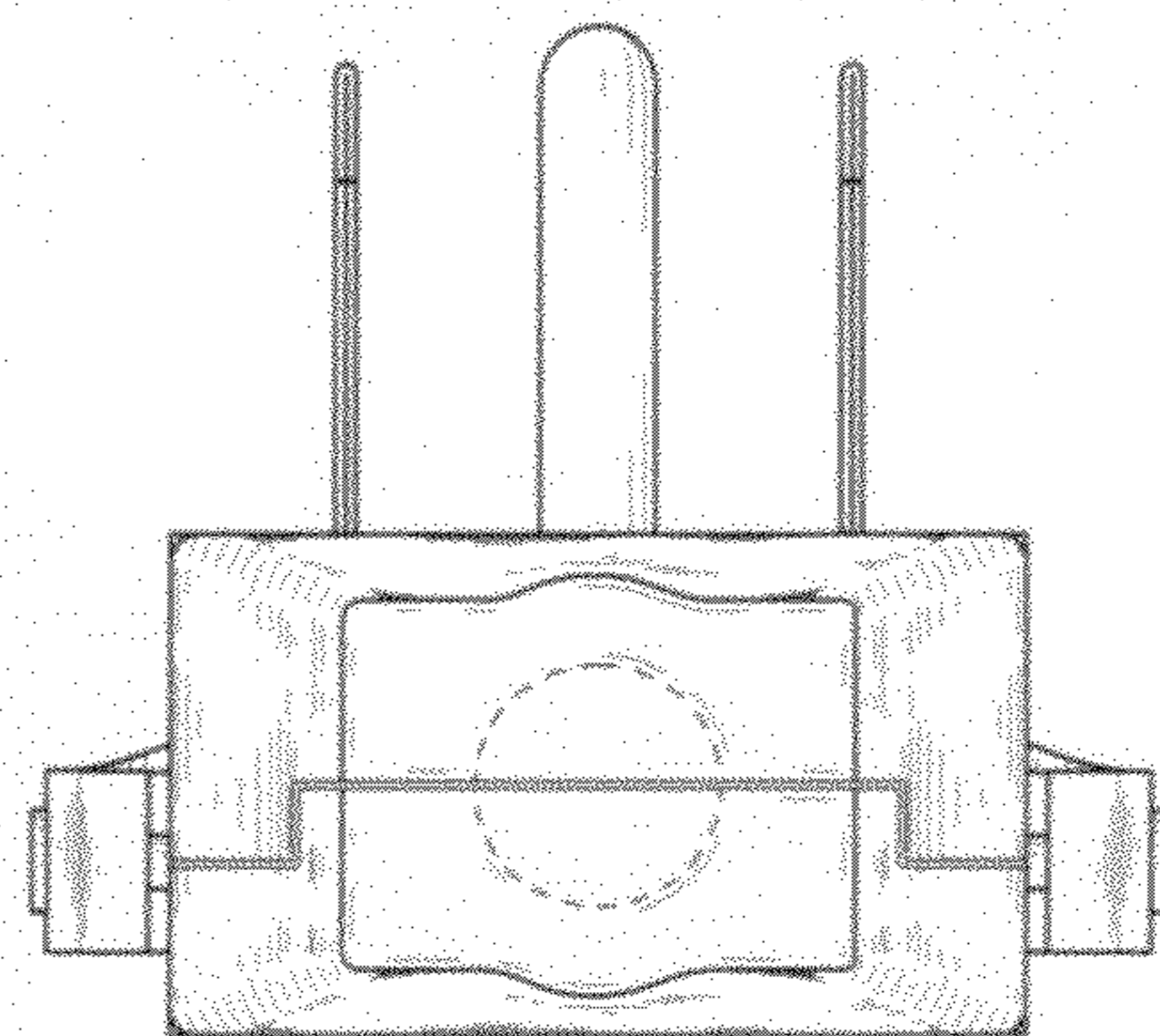


FIG. 5

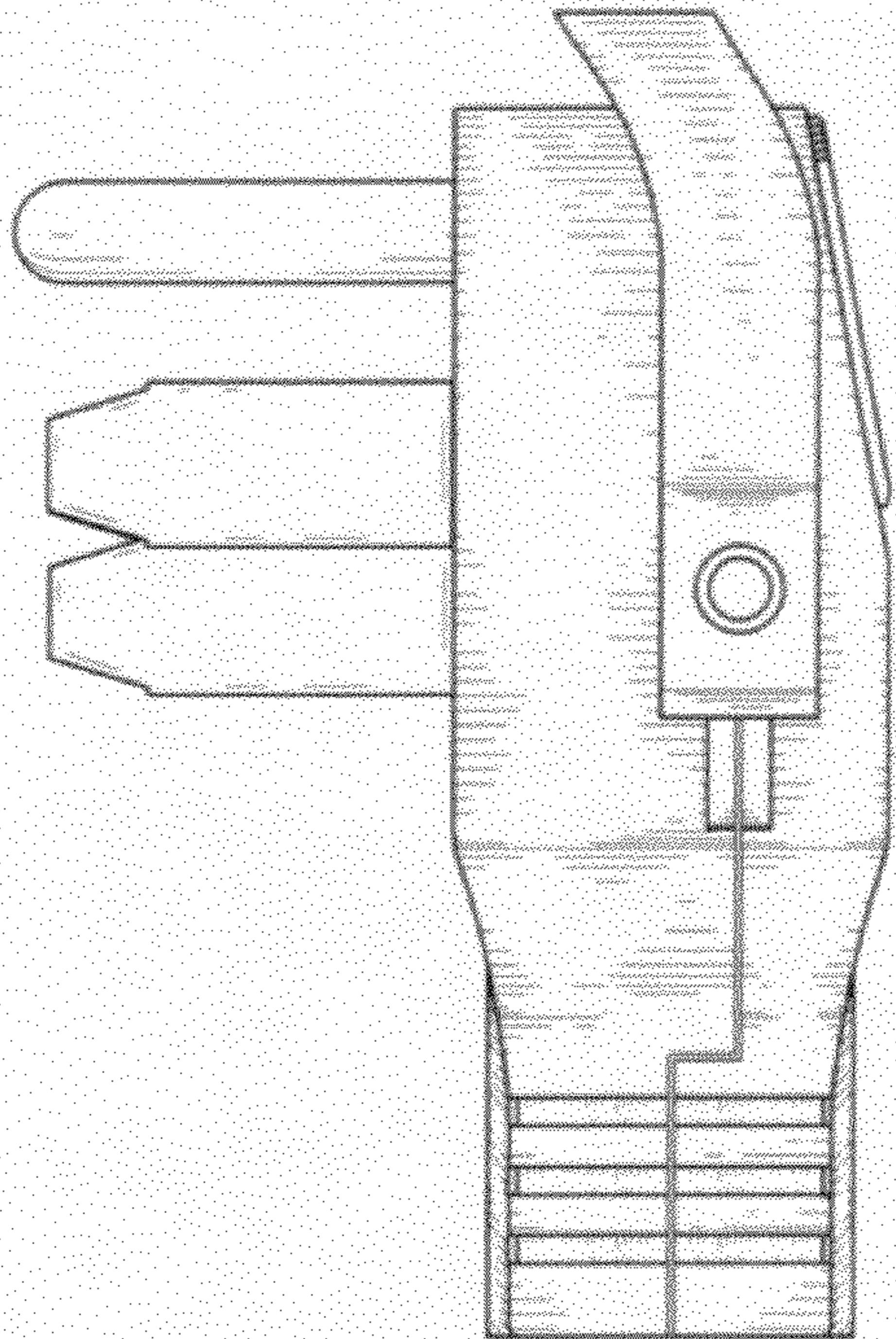


FIG. 6

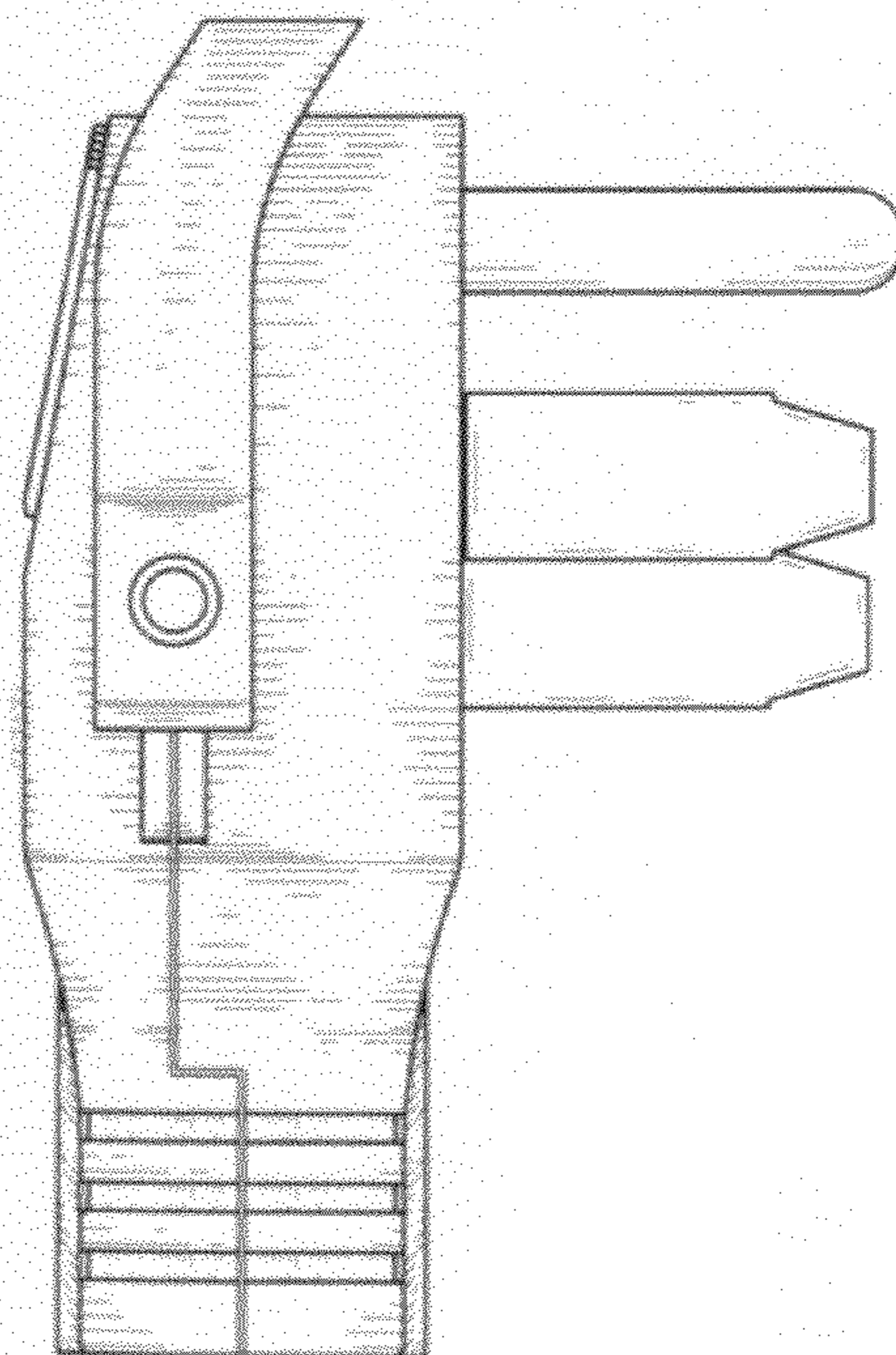


FIG. 7