



US00D660233S

(12) **United States Design Patent**
Wu et al.

(10) **Patent No.:** **US D660,233 S**

(45) **Date of Patent:** **** May 22, 2012**

(54) **BATTERY CONNECTOR**

(75) Inventors: **Dong-Mei Wu**, Guang-Dong (CN);
Zhu-Rui Liu, Guang-Dong (CN);
Jui-Ming Chang, New Taipei (TW)

(73) Assignee: **Cheng Uei Precision Industry Co., Ltd.**, New Taipei (TW)

(**) Term: **14 Years**

(21) Appl. No.: **29/399,800**

(22) Filed: **Aug. 18, 2011**

(51) **LOC (9) Cl.** **13-02**

(52) **U.S. Cl.** **D13/120**

(58) **Field of Classification Search** D13/118–121,
D13/133, 146–147, 154, 184, 199; 439/83,
439/108, 166, 436–439, 500, 577, 595, 630,
439/660, 671, 676, 680, 700, 708–709, 721,
439/752, 871

See application file for complete search history.

(56) **References Cited**

U.S. PATENT DOCUMENTS

D335,649 S * 5/1993 Ogawa D13/147
D432,991 S * 10/2000 Taguchi D13/147
6,281,444 B1 * 8/2001 Yamanashi 174/138 F
D459,310 S * 6/2002 Tanaka D13/147

D543,151 S * 5/2007 Watanabe et al. D13/147
D581,366 S * 11/2008 Knepper D13/154
D618,619 S * 6/2010 Walter D13/147
D644,996 S * 9/2011 Hsu et al. D13/147

* cited by examiner

Primary Examiner — Rosemary K Tarcza

(74) *Attorney, Agent, or Firm* — Cheng-Ju Chiang

(57) **CLAIM**

The ornamental design for a battery connector, as shown and described.

DESCRIPTION

FIG. 1 is a perspective view of a battery connector showing our new design;

FIG. 2 is a front elevational view thereof;

FIG. 3 is a rear elevational view thereof;

FIG. 4 is a left side elevational view thereof;

FIG. 5 is a right side elevational view thereof;

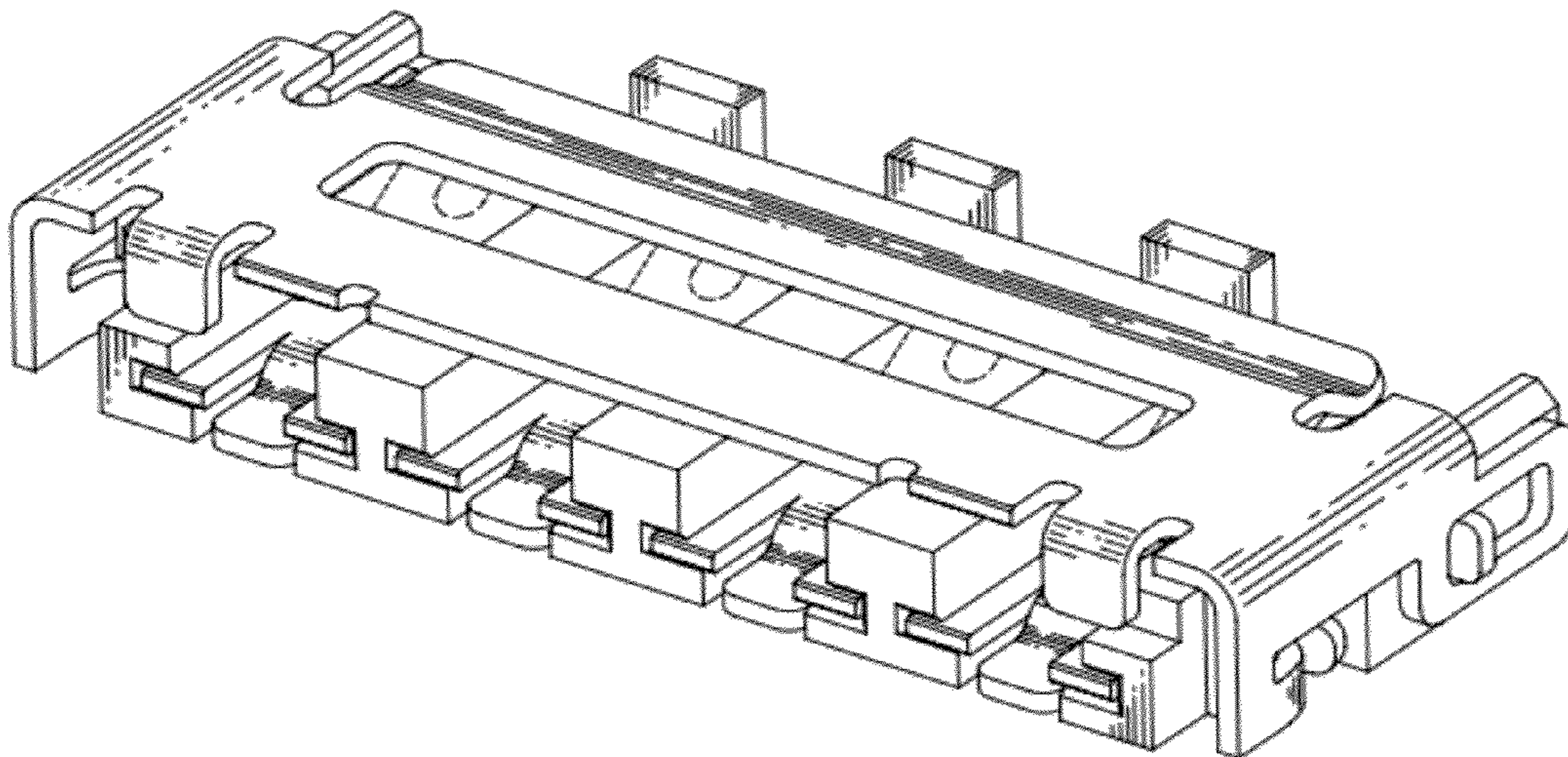
FIG. 6 is a top plan view thereof;

FIG. 7 is a bottom plan view thereof; and,

FIG. 8 is another perspective view of the battery connector of FIG. 1 showing a top cover thereof lifting with a predetermined angle.

The broken line portion of the figure drawings is included to show unclaimed subject matter only and forms no part of the claimed design.

1 Claim, 8 Drawing Sheets



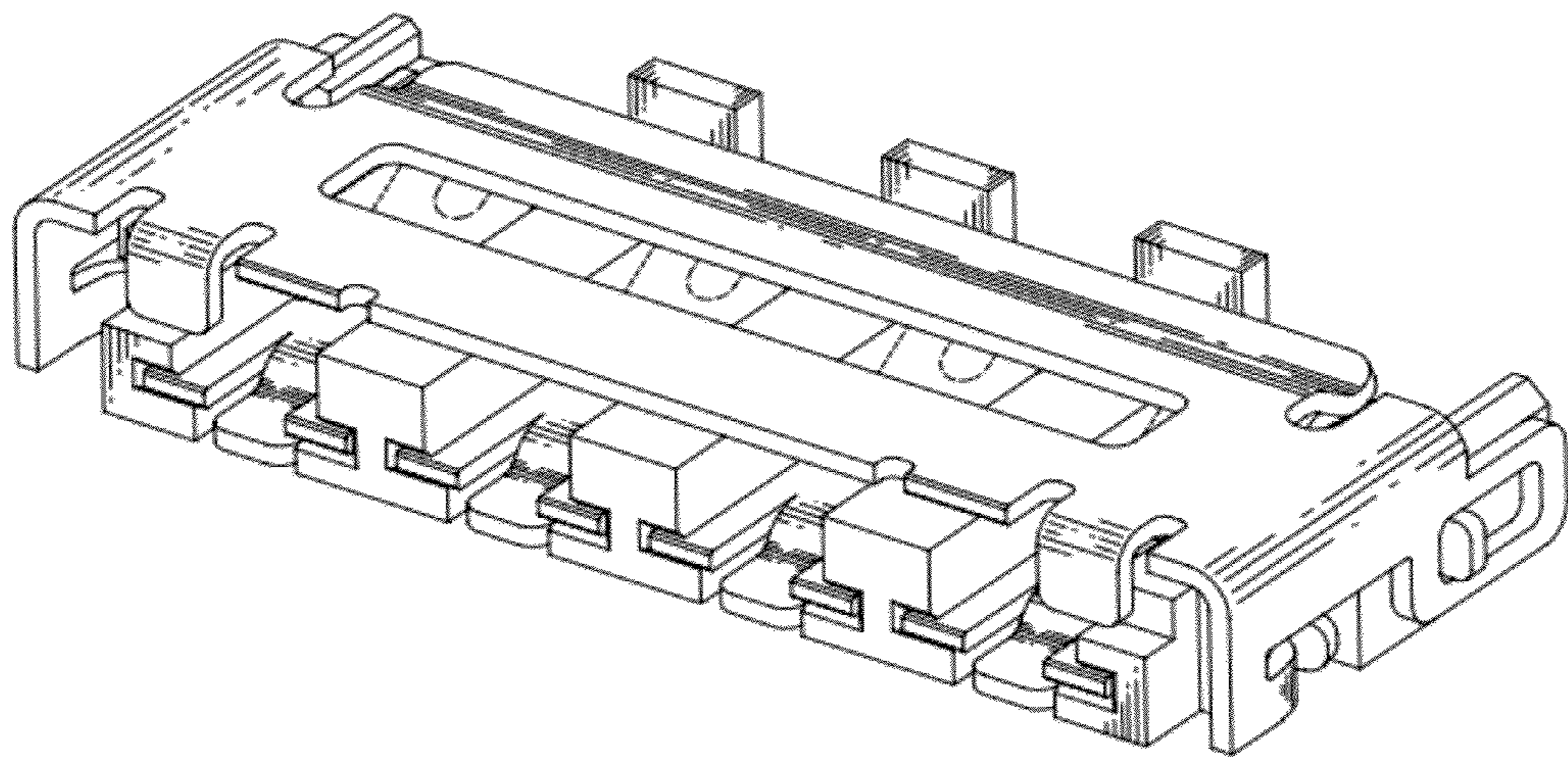


FIG. 1

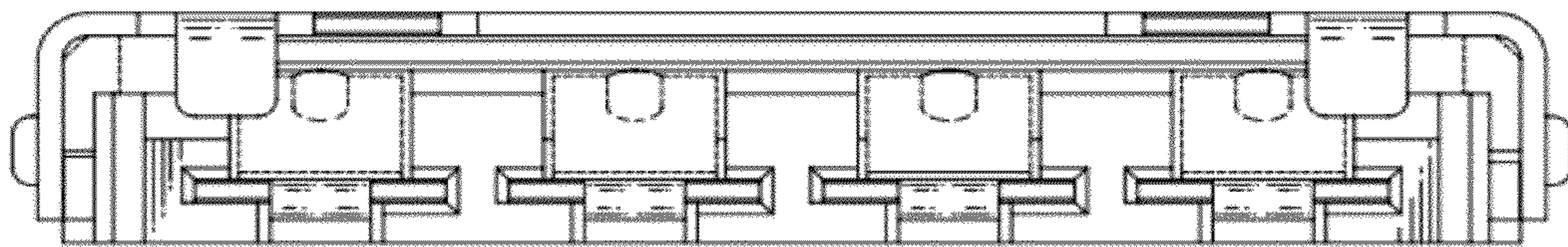


FIG. 2

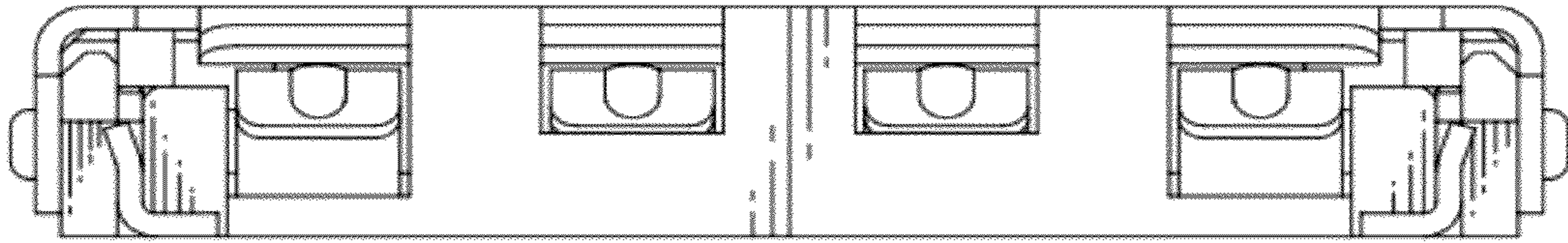


FIG. 3

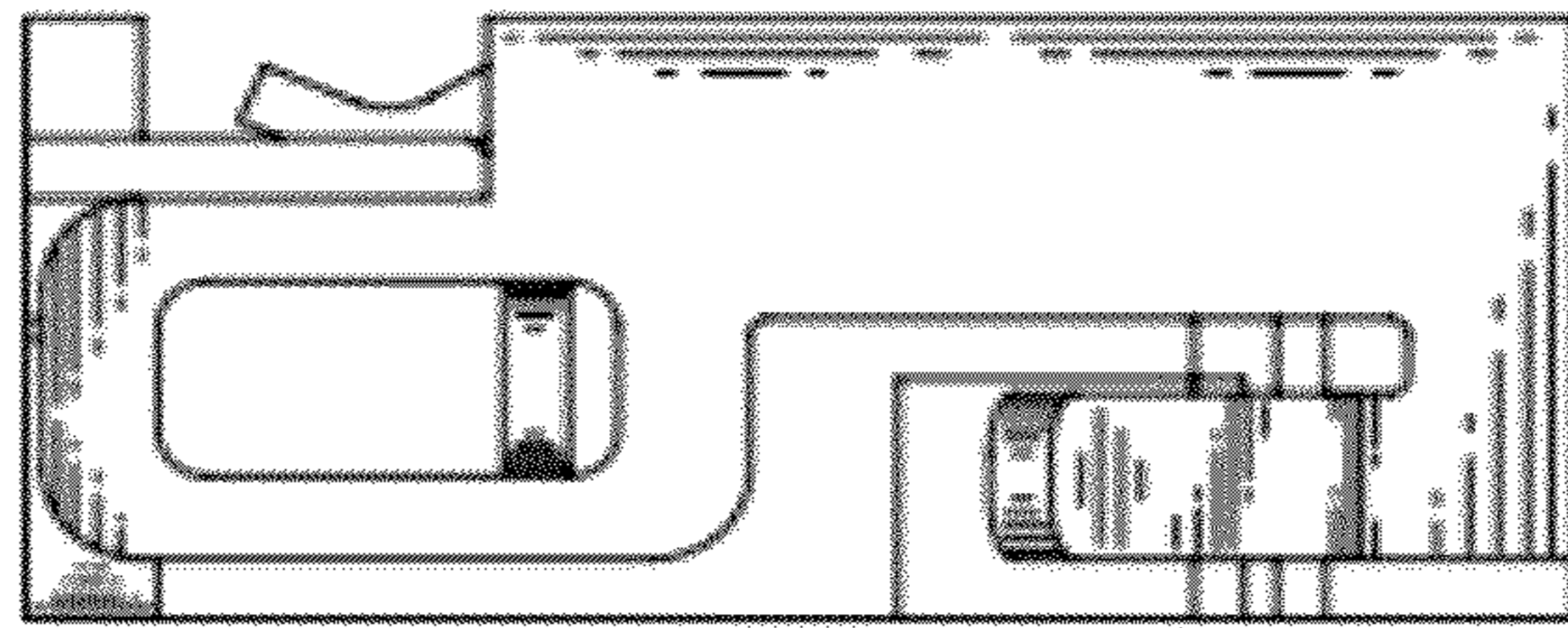


FIG. 4

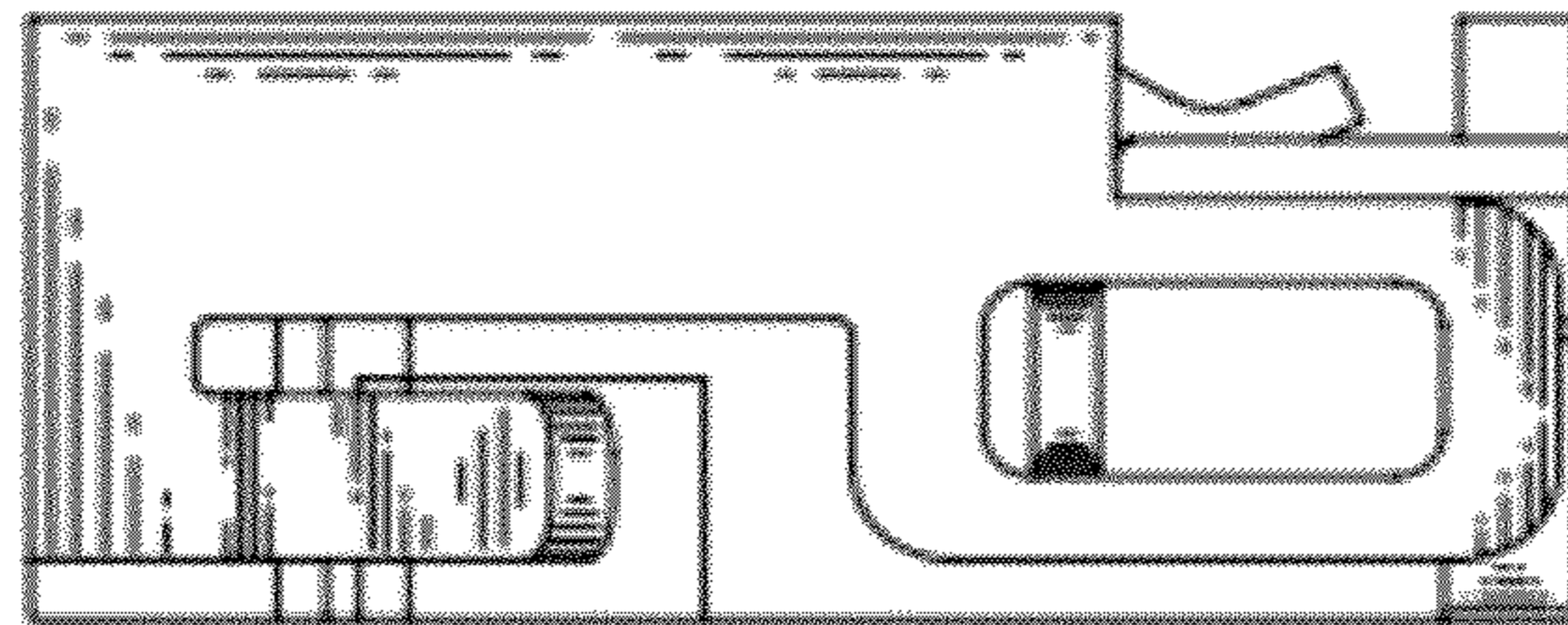


FIG. 5

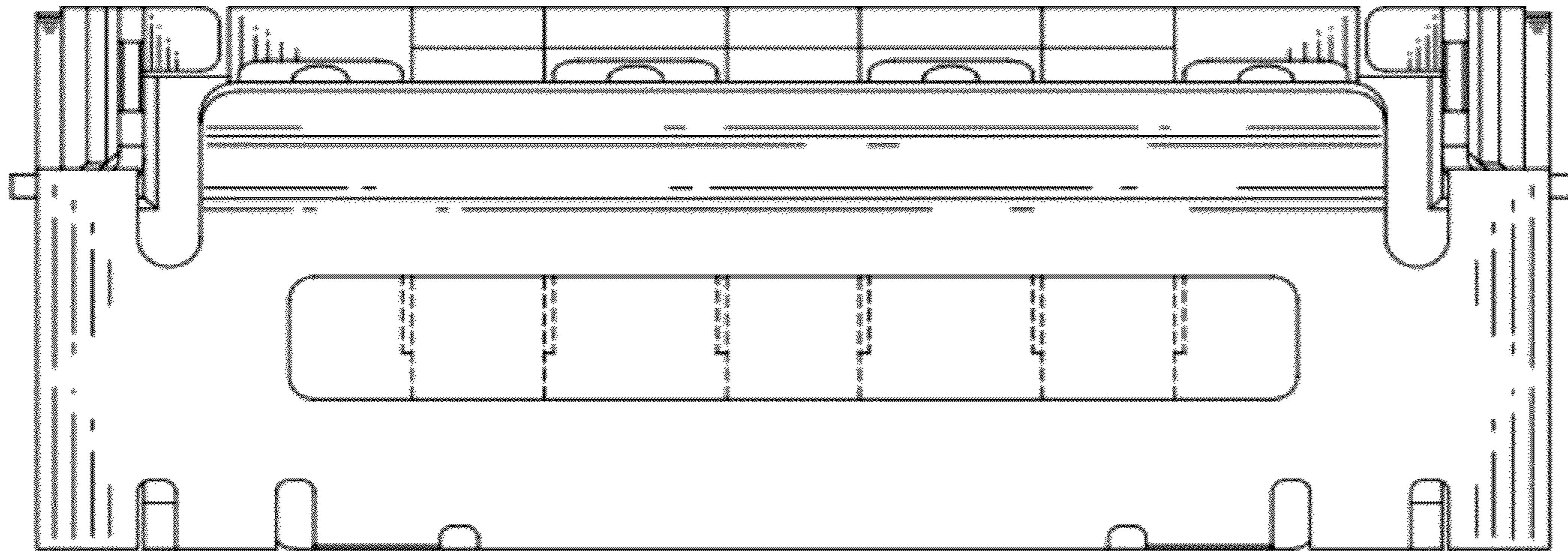


FIG. 6

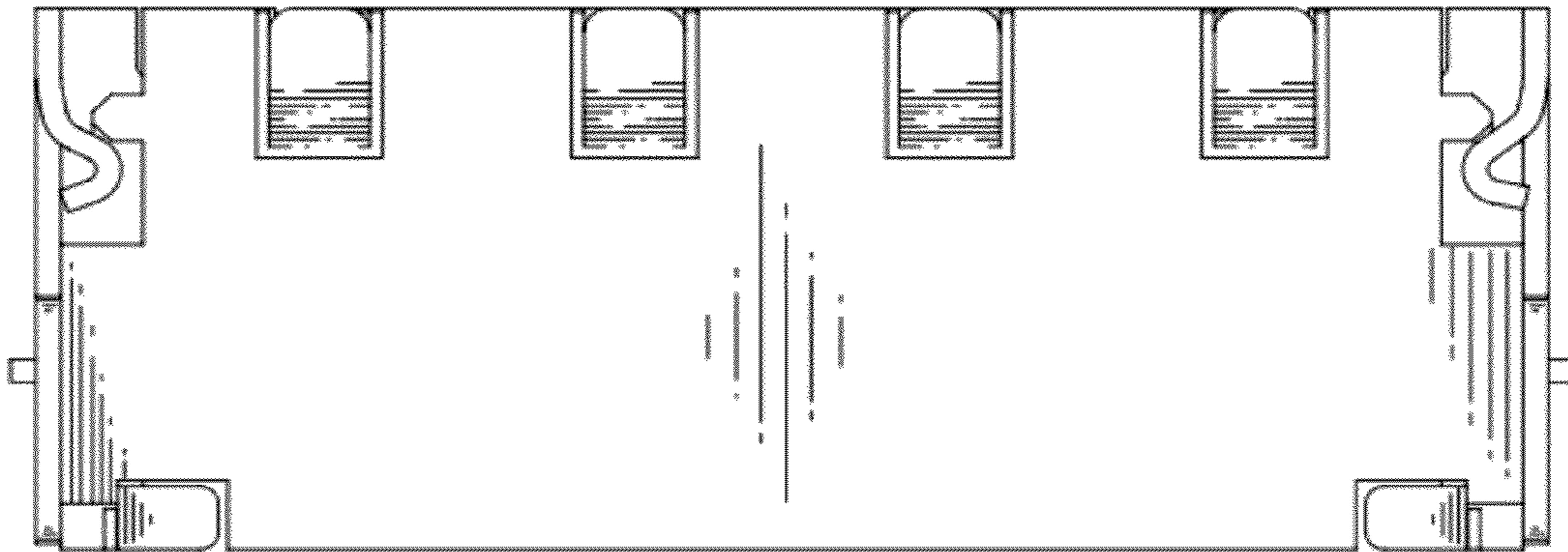


FIG. 7

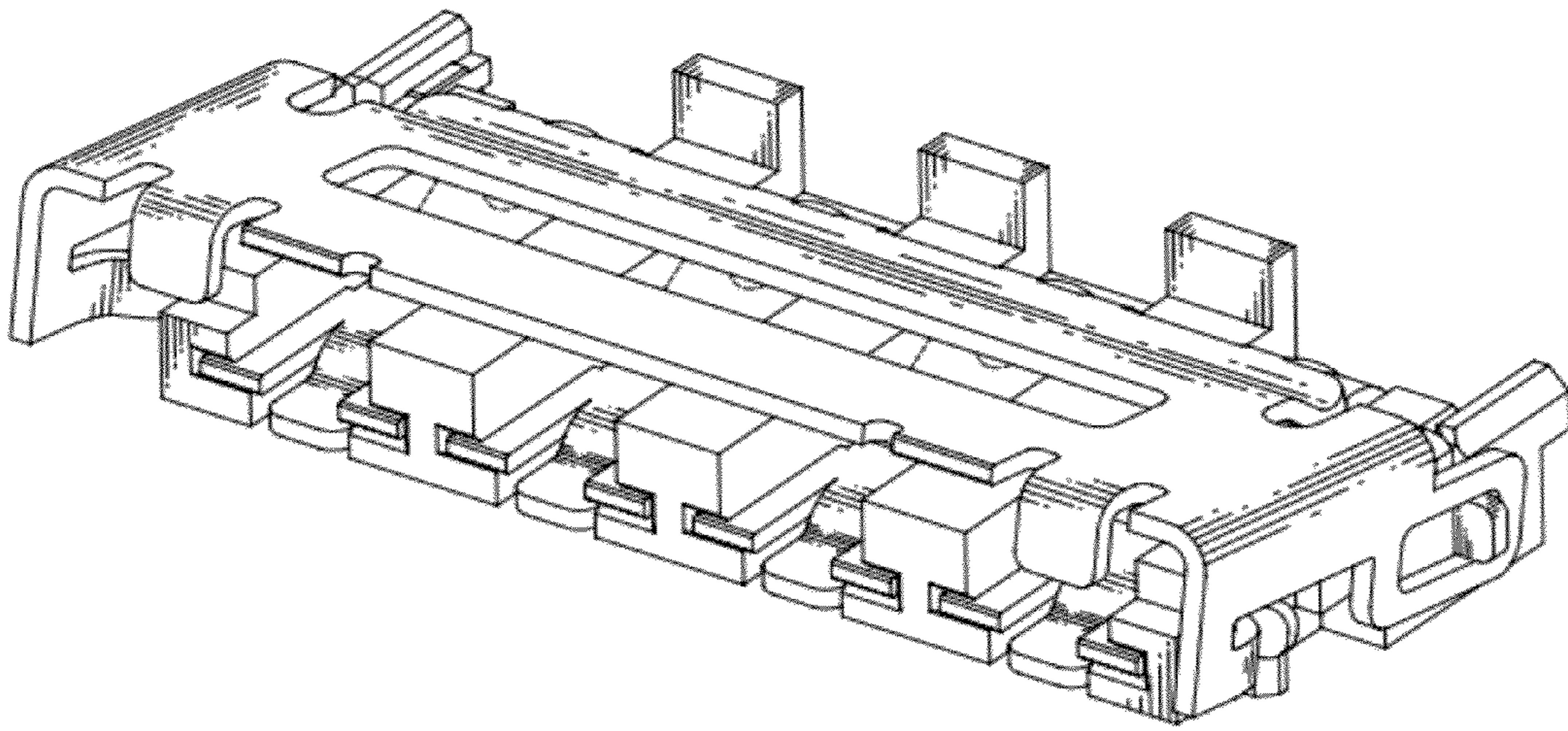


FIG. 8