

US00D660232S

(12) **United States Design Patent**  
**Elison et al.**

(10) **Patent No.:** **US D660,232 S**

(45) **Date of Patent:** **\*\* May 22, 2012**

(54) **BATTERY**

(75) Inventors: **Nicholas E. Elison**, Milwaukee, WI  
(US); **Glenn W. Andersen**, Hartford, WI  
(US)

(73) Assignee: **Johnson Controls Technology  
Company**, Holland, MI (US)

(\*\*) Term: **14 Years**

(21) Appl. No.: **29/404,783**

(22) Filed: **Oct. 25, 2011**

(51) **LOC (9) Cl.** ..... **13-02**

(52) **U.S. Cl.** ..... **D13/119**

(58) **Field of Classification Search** ..... D13/102-106,  
D13/110, 118-119, 184; 429/96-100, 149,  
429/163, 176, 187

See application file for complete search history.

(56) **References Cited**

**U.S. PATENT DOCUMENTS**

D64,969 S	6/1924	Glidden	
D67,258 S *	5/1925	Bello	D13/106
D68,262 S	9/1925	Klug	
D70,400 S *	6/1926	Campbell	D13/106
D75,446 S	6/1928	Rieser	
2,724,360 A	11/1955	Crookshank	
D181,079 S *	9/1957	Toce	D13/104
D183,777 S *	10/1958	Weilss	D3/280
D188,421 S	7/1960	Slautterback	
3,105,909 A	10/1963	Jones	
D197,519 S	2/1964	Rohe	
D211,348 S	6/1968	Redmon	
D239,837 S	5/1976	Hennen	
3,963,972 A	6/1976	Todd	
D252,354 S	7/1979	Uyeda	
4,346,151 A	8/1982	Uba et al.	
D266,757 S	11/1982	Campbell et al.	
4,510,215 A	4/1985	Adam	
D289,995 S *	5/1987	Armiger	D15/144
D292,576 S *	11/1987	Kump et al.	D13/106
D298,029 S	10/1988	Foster	
D299,227 S *	1/1989	Grannen, III	D13/104

D303,373 S	9/1989	Ching, Jr.
D303,519 S	9/1989	Lopez-Doriga
D303,652 S	9/1989	Lopez-Doriga
D303,653 S	9/1989	Lopez-Doriga
D304,926 S	12/1989	Ching, Jr.
D304,927 S	12/1989	Ching, Jr.
4,891,270 A	1/1990	Jergl et al.
D307,133 S	4/1990	Ching, Jr.
D307,886 S	5/1990	Ching, Jr. et al.
D310,205 S	8/1990	Hedrington et al.
D310,821 S	9/1990	Hulsebus et al.
D318,025 S	7/1991	Moritaka
D327,051 S	6/1992	Schwartz
5,283,137 A	2/1994	Ching
D344,676 S	3/1994	Newman
D356,993 S	4/1995	Koster
5,415,956 A	5/1995	Ching
D367,042 S	2/1996	Morrow

(Continued)

**OTHER PUBLICATIONS**

Photographs of "old" Optima battery with a date stamp of Week 47, 1990.

(Continued)

*Primary Examiner* — Rosemary K Tarcza

(74) *Attorney, Agent, or Firm* — Boardman & Clark LLP

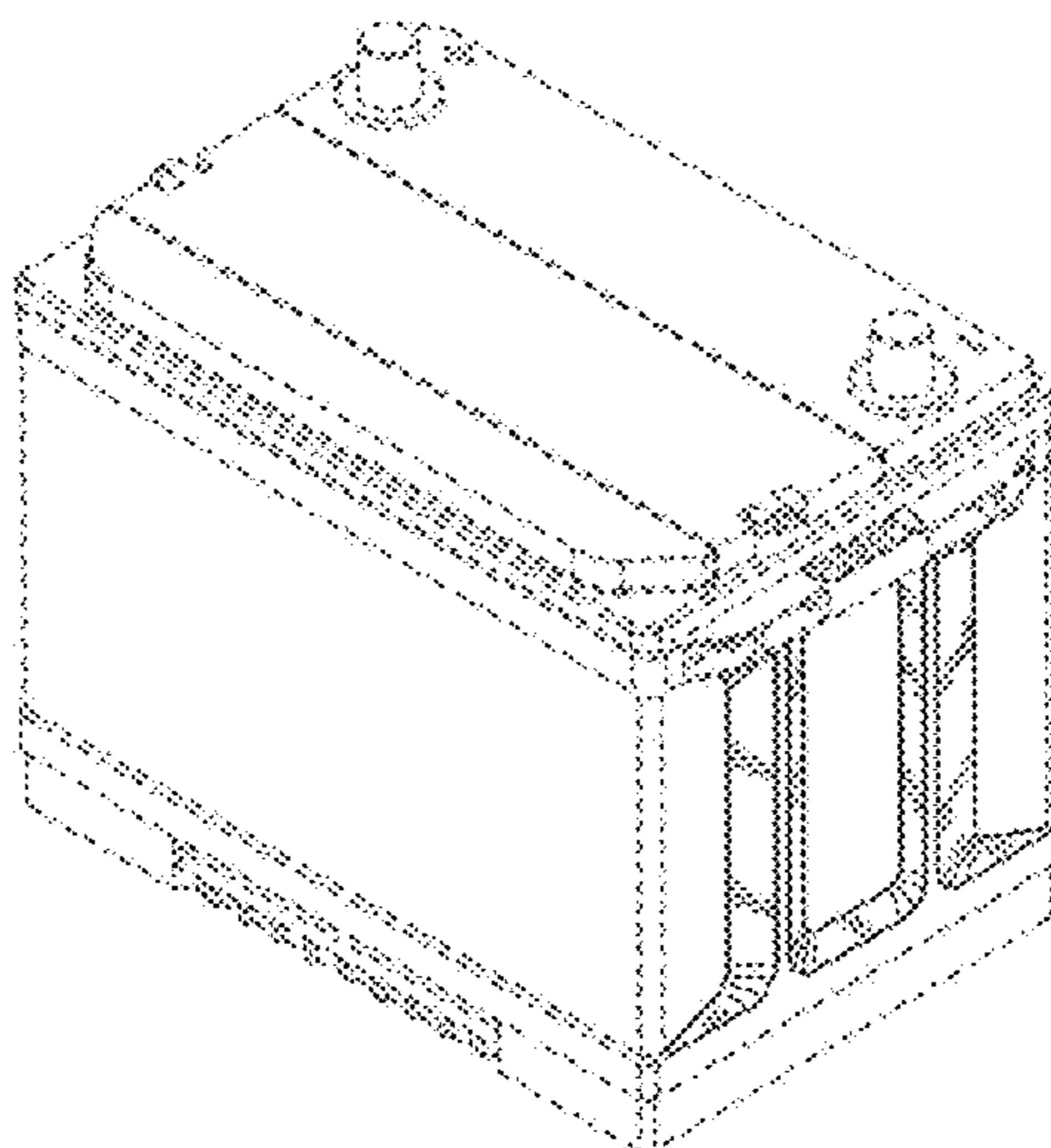
(57) **CLAIM**

The ornamental design for a battery, as shown and described.

**DESCRIPTION**

FIG. 1 is a top isometric view of the battery according to an exemplary embodiment;  
FIG. 2 is a first side elevation view thereof;  
FIG. 3 is a first end elevation view thereof;  
FIG. 4 is a second side elevation view thereof;  
FIG. 5 is a second end elevation view thereof;  
FIG. 6 is a top plan view thereof; and,  
FIG. 7 is a bottom plan view thereof.  
The broken lines shown in the figures are for illustrative purposes only, and form no part of the claimed design.

**1 Claim, 7 Drawing Sheets**



# US D660,232 S

Page 2

## U.S. PATENT DOCUMENTS

5,492,779	A	2/1996	Ronning				
D372,701	S	8/1996	Tahmassebpur				
5,599,641	A	2/1997	Ching, Jr. et al.				
5,663,008	A *	9/1997	Shimakawa et al. ....	429/443			
5,686,202	A	11/1997	Hooke et al.				
5,763,116	A	6/1998	Lapinski et al.				
D401,551	S	11/1998	Kim				
5,856,037	A	1/1999	Casale et al.				
5,871,862	A	2/1999	Olson				
D406,258	S	3/1999	Segers				
5,895,728	A	4/1999	Walker et al.				
5,977,746	A	11/1999	Hershberger et al.				
5,998,062	A	12/1999	Olson				
6,022,638	A	2/2000	Horton et al.				
6,023,146	A	2/2000	Casale et al.				
6,025,086	A	2/2000	Ching				
6,153,331	A	11/2000	Brantley et al.				
6,174,618	B1	1/2001	Nishiyama et al.				
6,183,903	B1	2/2001	Campbell et al.				
D442,542	S	5/2001	Dougherty et al.				
6,303,247	B1	10/2001	Griffey et al.				
D450,653	S	11/2001	Hertel et al.				
D458,900	S	6/2002	Carter et al.				
6,399,238	B1	6/2002	Oweis et al.				
D462,656	S	9/2002	Degen et al.				
D466,478	S	12/2002	Bolstad et al.				
D491,138	S	6/2004	Minato				
D495,994	S	9/2004	Arakelian				
D499,070	S	11/2004	Lavington				
6,929,882	B1	8/2005	Carter				
D517,479	S	3/2006	Schemm				
D517,987	S	3/2006	Castagnola et al.				
D517,988	S	3/2006	Ihde et al.				
D527,344	S	8/2006	Rajpara et al.				
D553,565	S	10/2007	Kawakita et al.				
D562,229	S	2/2008	Peters				
7,332,243	B2	2/2008	Cummins et al.				
D600,202	S	9/2009	Mack				
D604,696	S *	11/2009	Tasai .....		D13/104		
D606,938	S	12/2009	Mack				
D606,939	S	12/2009	Mack				
D606,940	S	12/2009	Mack				
D607,405	S	1/2010	Mack				
D607,406	S	1/2010	Mack				
D607,407	S	1/2010	Mack				
D608,283	S	1/2010	Mack				
D609,178	S	2/2010	Mack				
D609,179	S	2/2010	Mack				
D609,631	S	2/2010	Mack				
D610,089	S	2/2010	Mack				
D614,126	S	4/2010	Chen				
D621,353	S	8/2010	Mack				
D623,127	S *	9/2010	Seyama et al. ....		D13/104		
D625,253	S	10/2010	Mack				
D625,254	S *	10/2010	Mack et al. ....		D13/104		
D633,864	S *	3/2011	Qualls et al. ....		D13/106		
D635,508	S *	4/2011	Seyama et al. ....		D13/104		
D635,509	S	4/2011	Mack				
2003/0059676	A1	3/2003	Rodriguez et al.				
2004/0170888	A1	9/2004	Cummins et al.				
2005/0069762	A1	3/2005	Daley et al.				

## OTHER PUBLICATIONS

Optima Batteries brochure entitled "The Ultimate Power Source" dated Mar. 2007.

Optima Batteries New Product Announcement, 2008.

\* cited by examiner

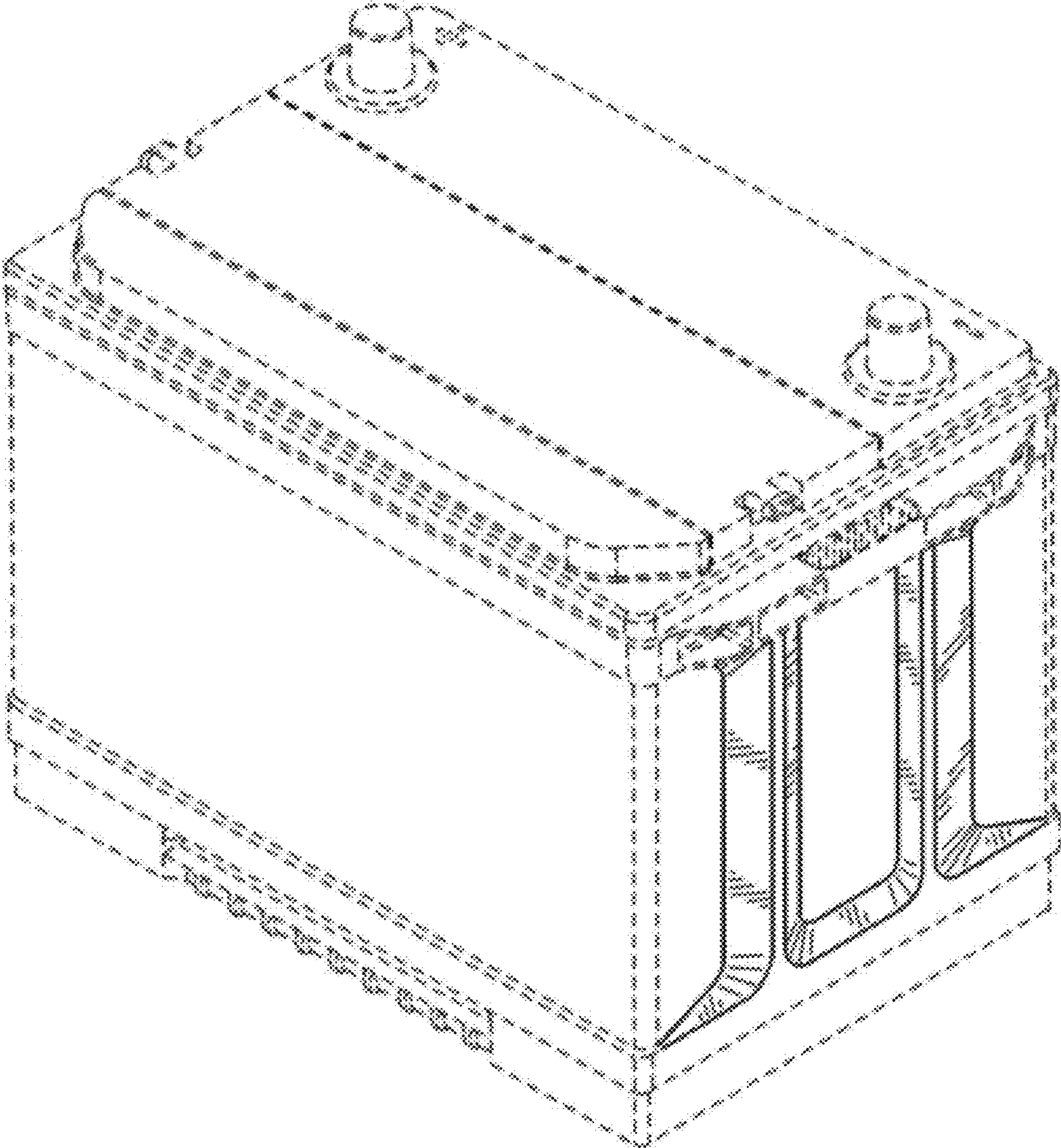


FIG. 1

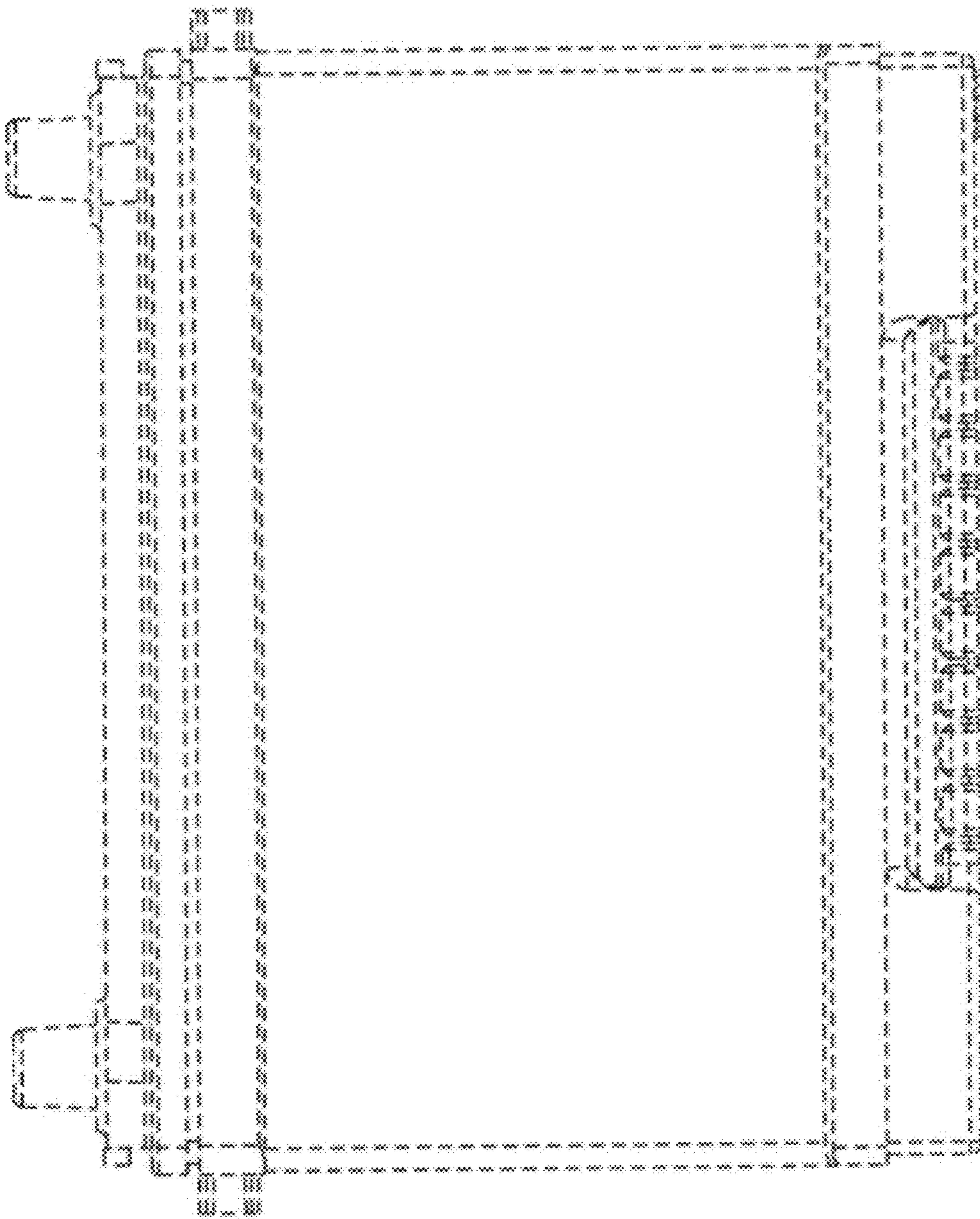


FIG. 2

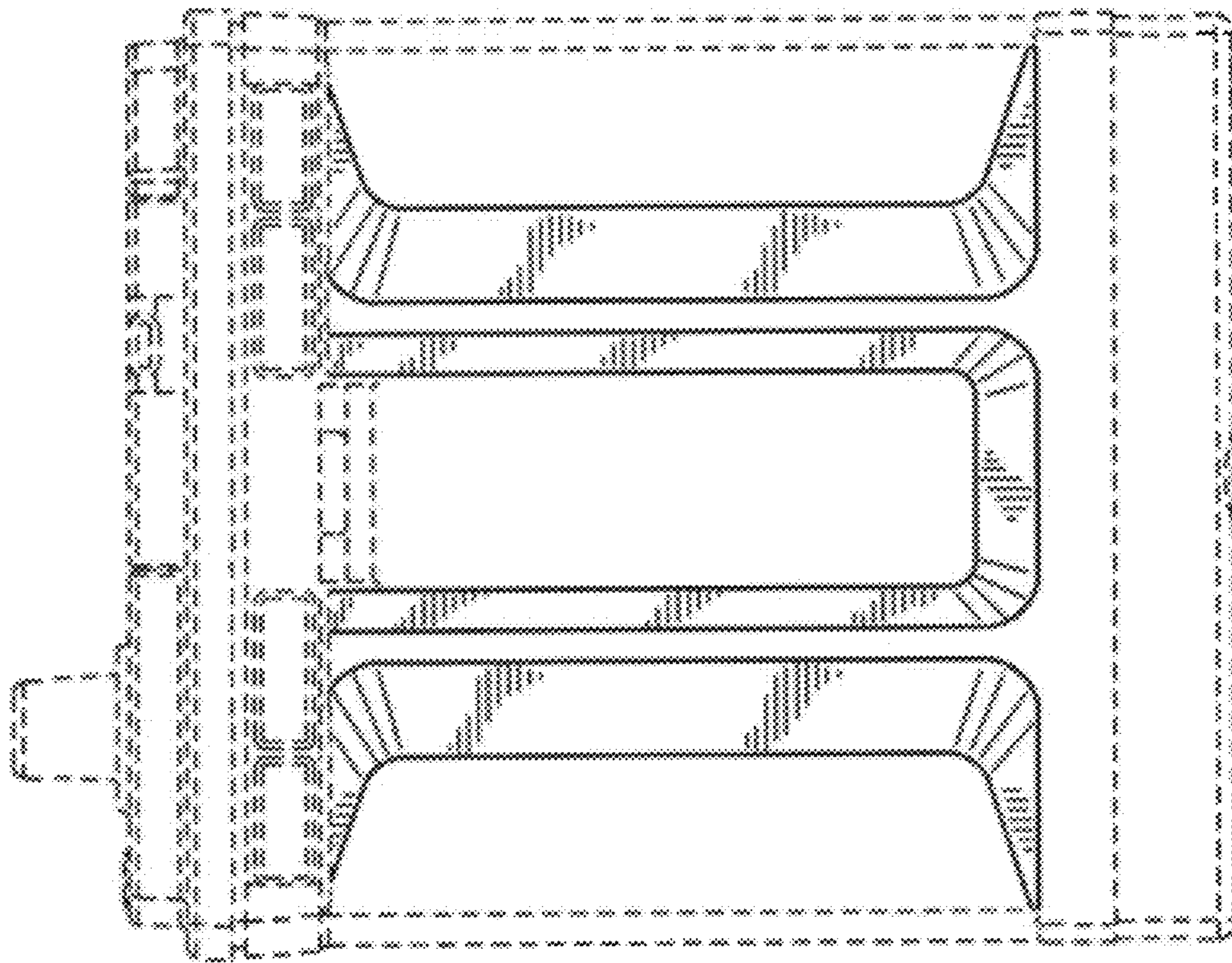


FIG. 3

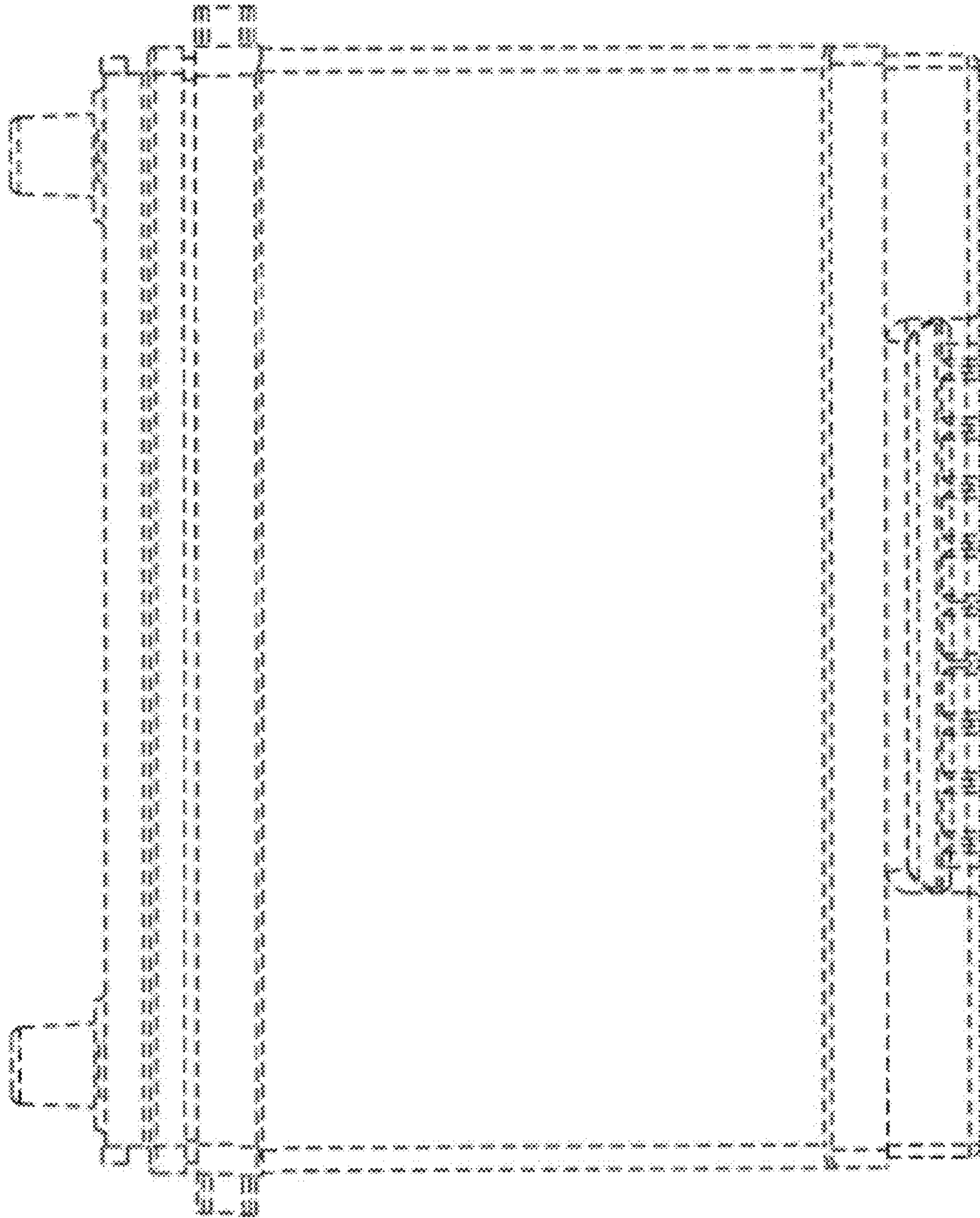


FIG. 4

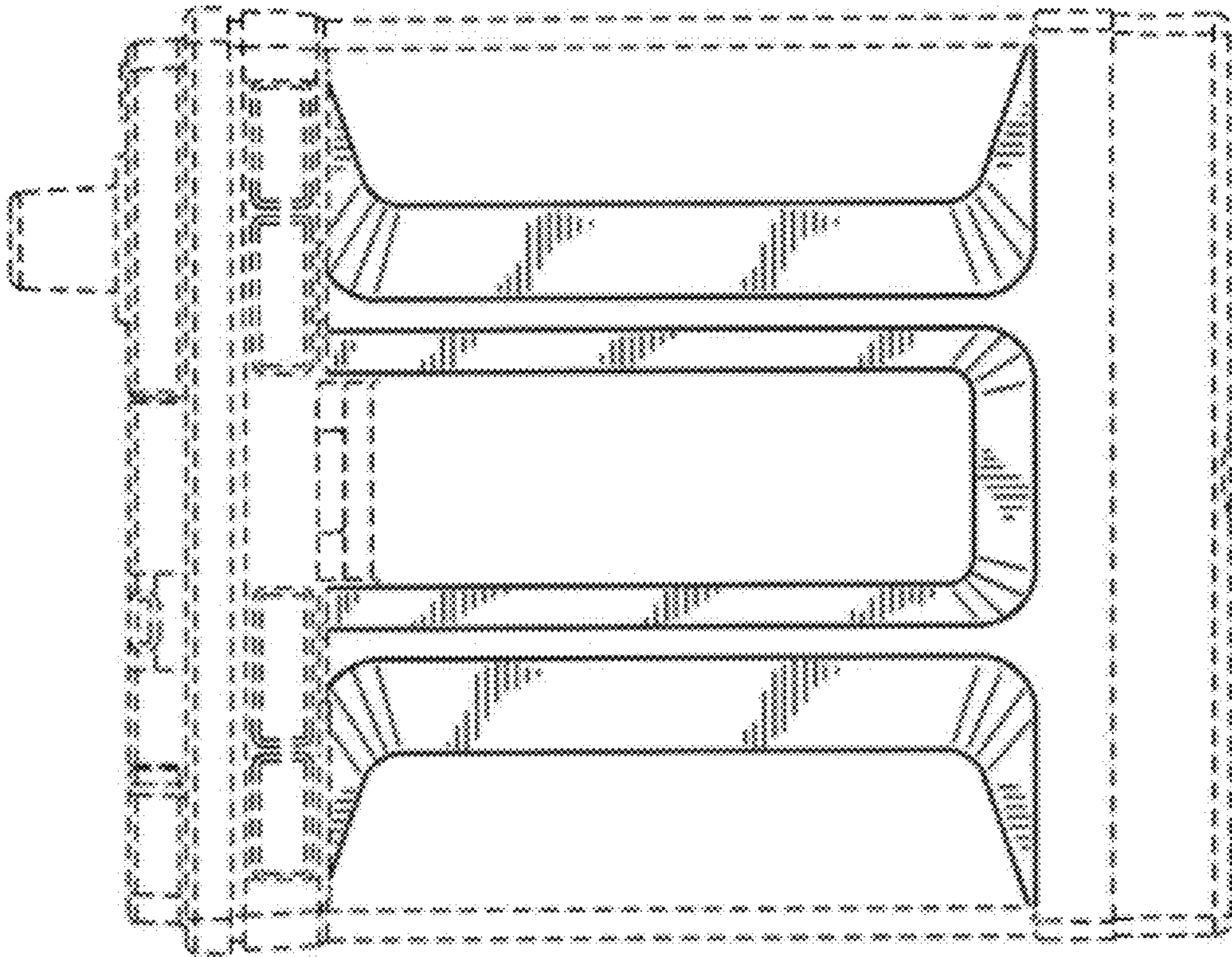


FIG. 5

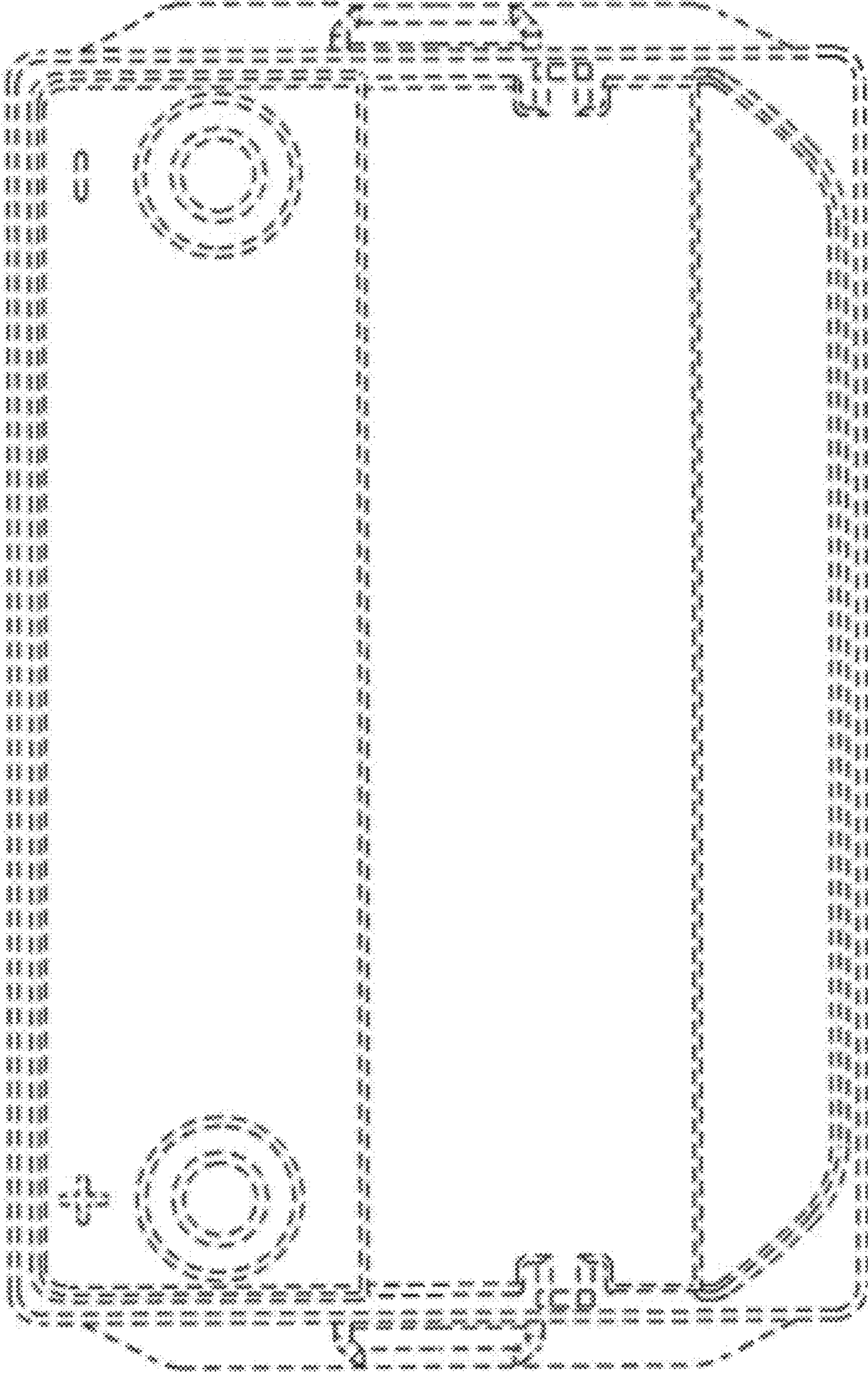


FIG. 6



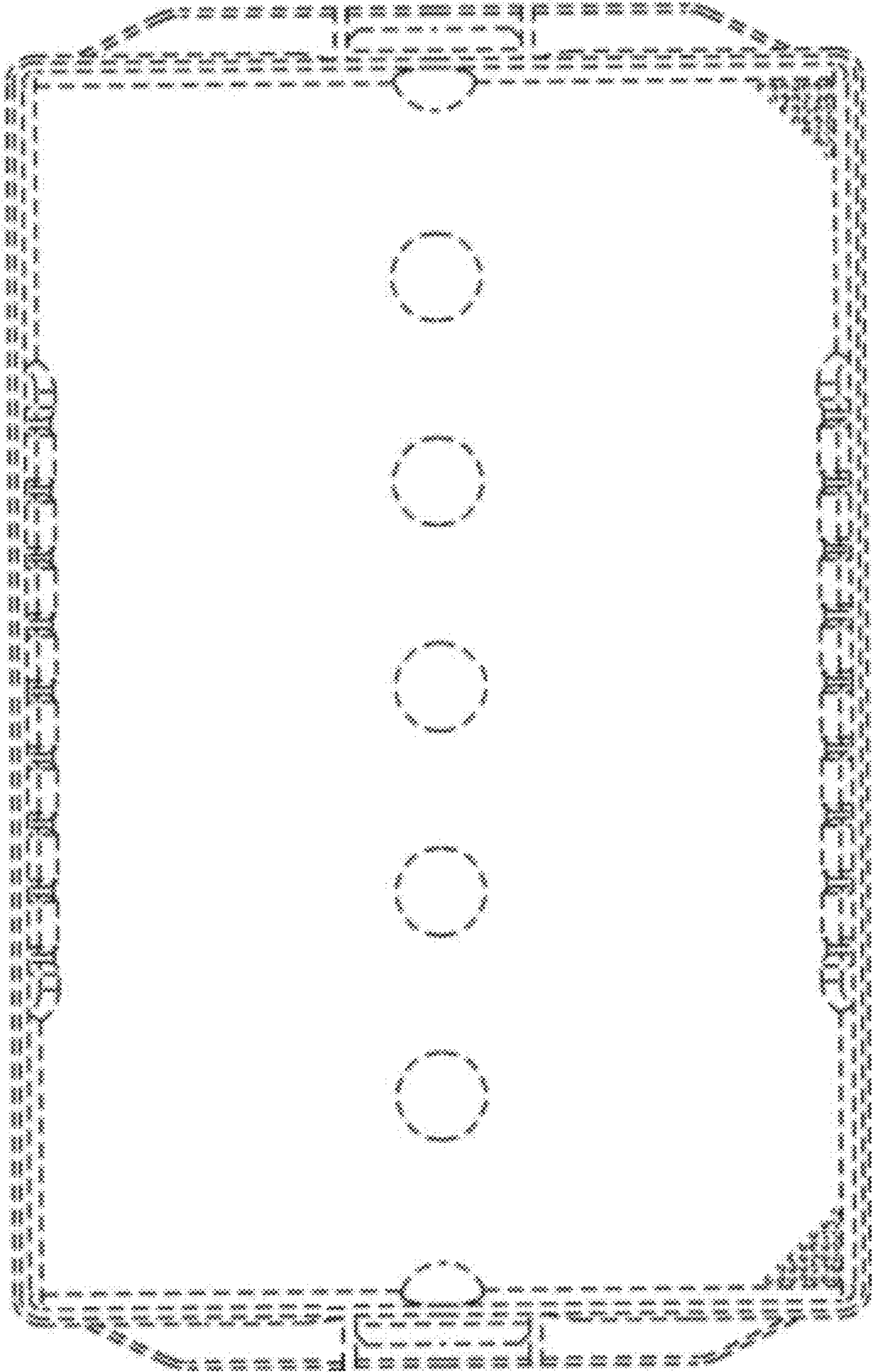


FIG. 7