



US00D660231S

(12) **United States Design Patent**
Delin

(10) **Patent No.:** **US D660,231 S**

(45) **Date of Patent:** **** May 22, 2012**

(54) **MAGNETIC SEARCHING SYSTEM FOR ELECTRICAL BOXES**

(75) Inventor: **Stina Delin**, Raa (SE)

(73) Assignee: **JIJ-Plast AB**, Helsingborg (SE)

(**) Term: **14 Years**

(21) Appl. No.: **29/369,645**

(22) Filed: **Sep. 10, 2010**

(51) **LOC (9) Cl.** **13-02**

(52) **U.S. Cl.** **D13/117; D13/183**

(58) **Field of Classification Search** D13/183,
D13/118, 152, 154, 155, 158, 184, 199; D15/199;
73/431, 866.5; 324/173, 174, 179, 220;
439/38, 135, 278, 279

See application file for complete search history.

(56) **References Cited**

U.S. PATENT DOCUMENTS

D330,541 S * 10/1992 Burrow et al. D13/183
D453,142 S * 1/2002 Watanabe et al. D13/118
D479,540 S * 9/2003 Leon, Jr. D15/144

D485,809 S * 1/2004 Ottens D13/183
D520,041 S * 5/2006 Wheat D15/199
D586,745 S * 2/2009 Shibata et al. D13/117
D595,649 S * 7/2009 Borcharding D13/118
D597,963 S * 8/2009 Mulch et al. D13/155

* cited by examiner

Primary Examiner — Derrick Holland

(74) *Attorney, Agent, or Firm* — Merchant & Gould P.C.

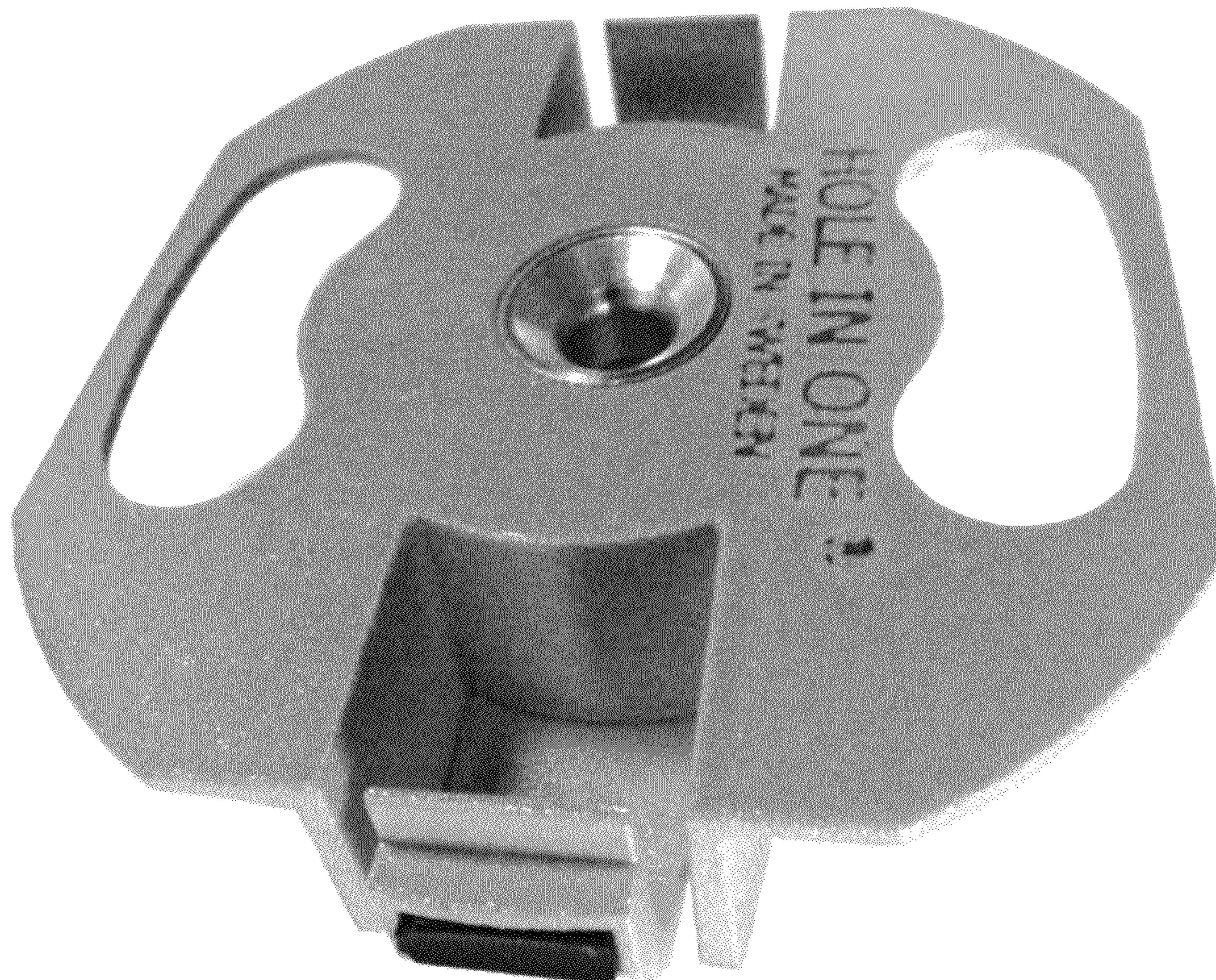
(57) **CLAIM**

The ornamental design for a magnetic searching system for electrical boxes, as shown and described.

DESCRIPTION

FIG. 1 is a top view of a magnetic searching system for electrical boxes showing my new design;
FIG. 2 is a bottom view;
FIG. 3 is a side view;
FIG. 4 is another side view;
FIG. 5 is a top and side perspective view; and,
FIG. 6 is a bottom and side perspective view.
The lettering on the ornamental design as seen in FIGS. 1, 2, 5 and 6 forms no part of the inventive design.

1 Claim, 6 Drawing Sheets



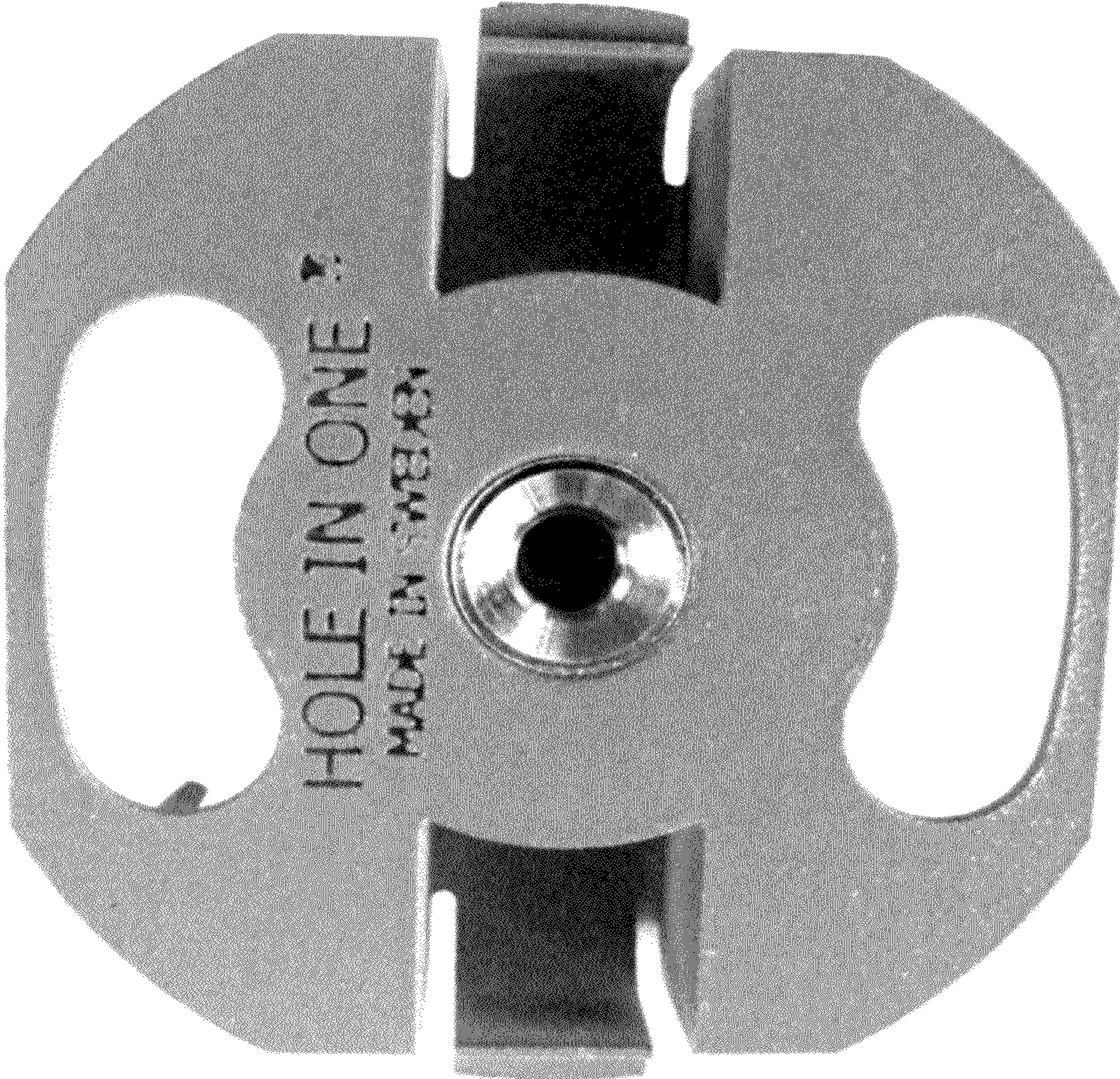


FIG. 1

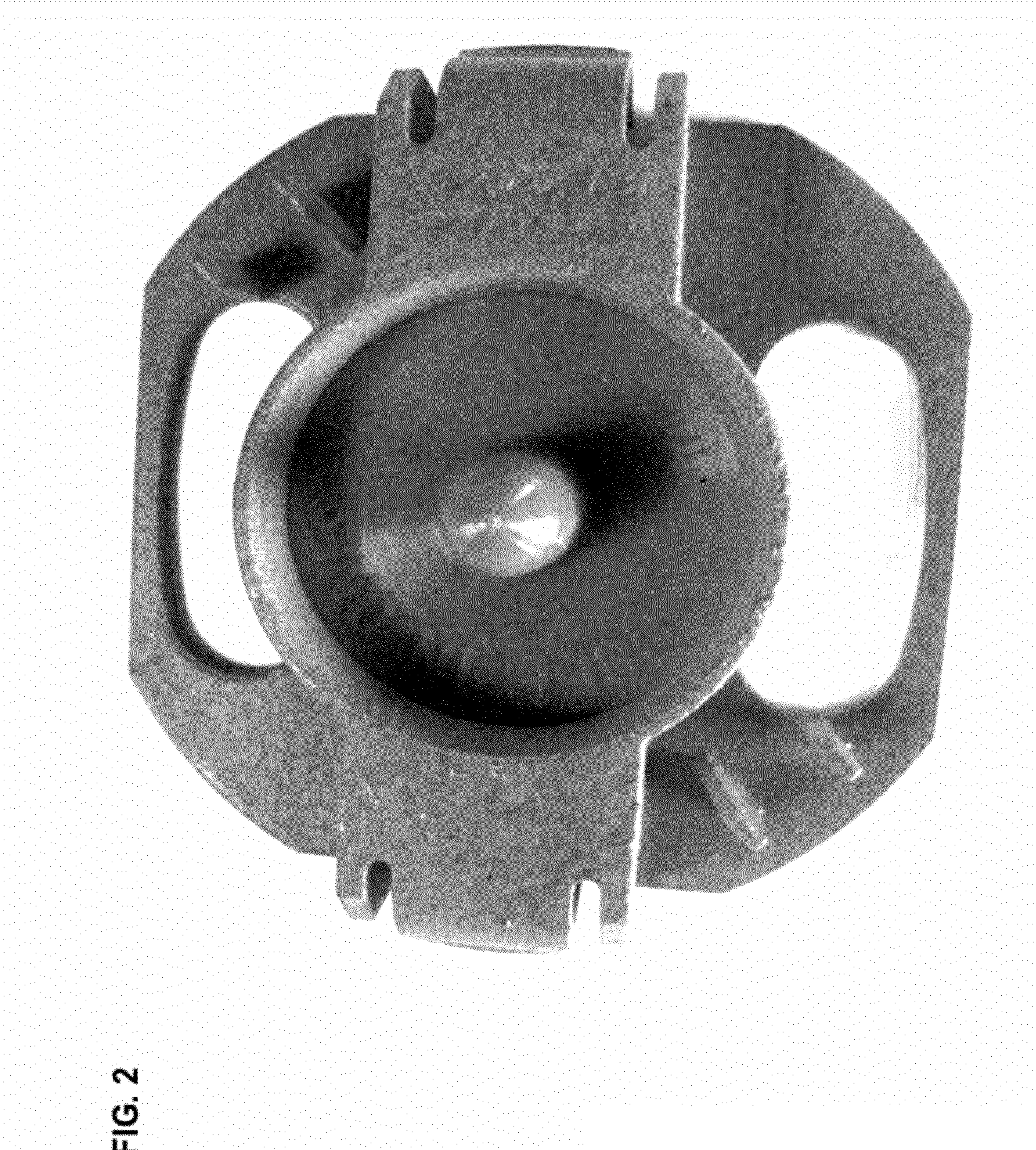


FIG. 2

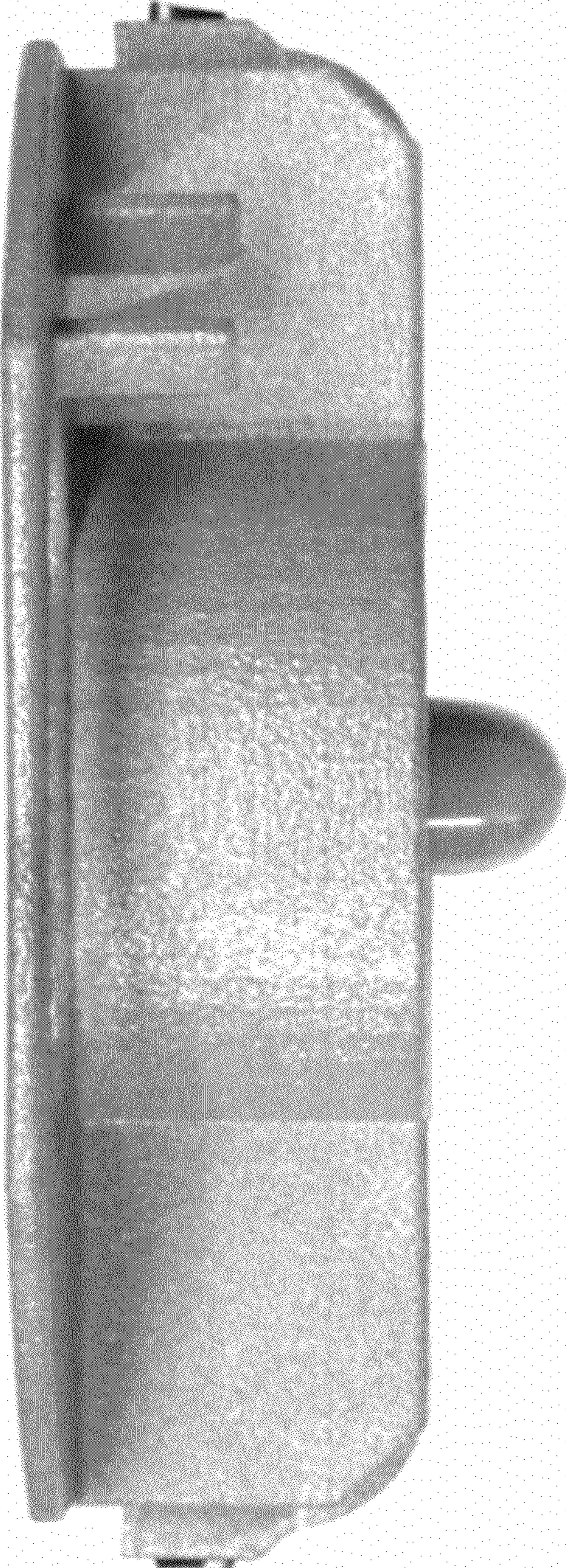


FIG. 3

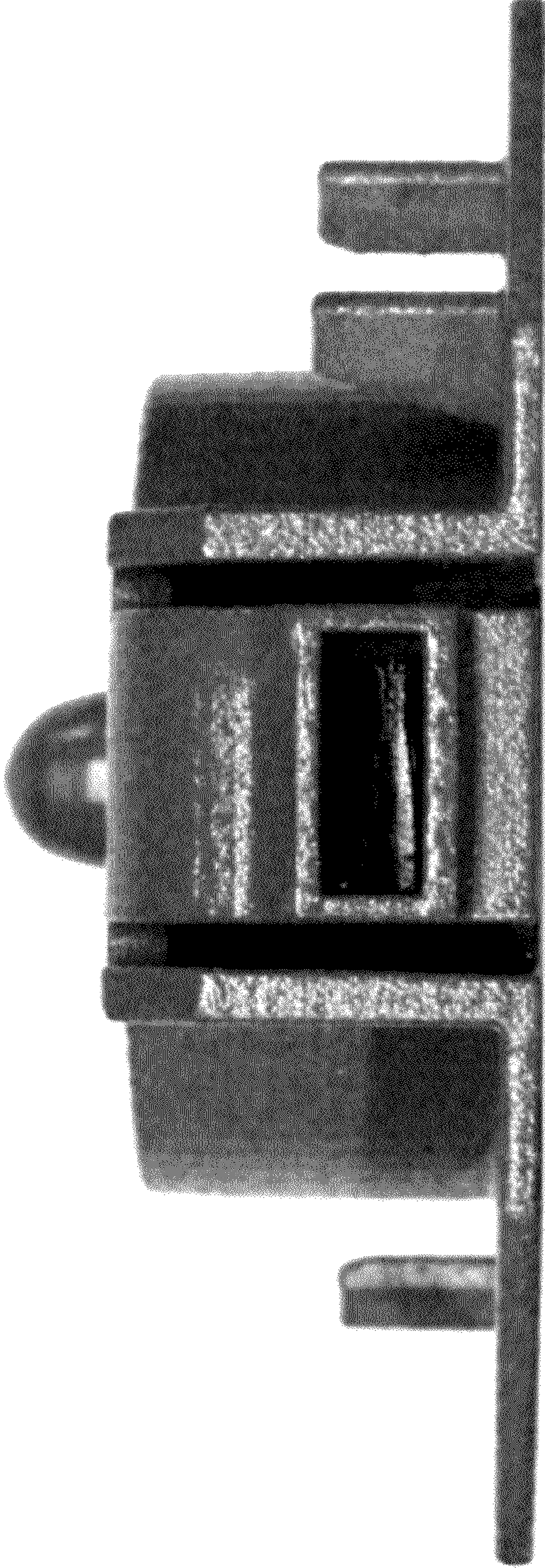


FIG. 4

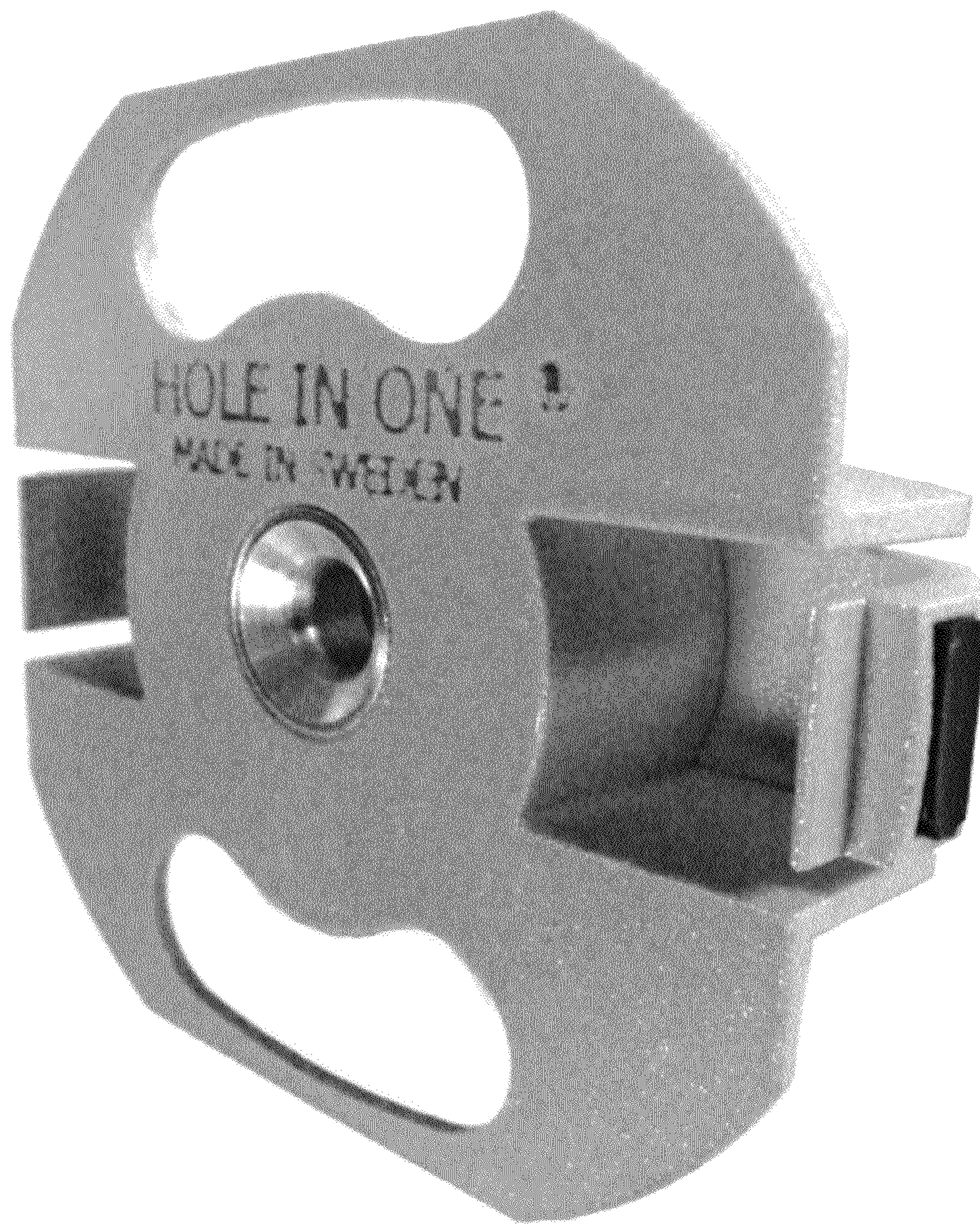


FIG. 5



FIG. 6