

US00D660230S

(12) **United States Design Patent**
Blevio, Sr.

(10) **Patent No.:** **US D660,230 S**

(45) **Date of Patent:** **** May 22, 2012**

(54) **TURBINE ROTOR**

(76) Inventor: **Henry Blevio, Sr.**, New Milford, CT
(US)

(**) Term: **14 Years**

(21) Appl. No.: **29/395,167**

(22) Filed: **Dec. 7, 2011**

(51) **LOC (9) Cl.** **13-01**

(52) **U.S. Cl.** **D13/115**

(58) **Field of Classification Search** D13/115,
D13/118, 122, 199; D12/344, 345; D15/1,
D15/5, 7, 123, 138; D21/453, 458; 290/52,
290/54, 55; 415/199.4, 916; 416/24, 31,
416/37, 38, 132 B, 132 R, 141, 142, 176,
416/177, 186 R, 196 A, 223 A

See application file for complete search history.

(56) **References Cited**

U.S. PATENT DOCUMENTS

D487,060 S * 2/2004 Ehrenberger D13/115
7,471,009 B2 * 12/2008 Davis et al. 290/54
D587,195 S * 2/2009 van Wijck D13/115

D605,115 S * 12/2009 Starck D13/115
D610,542 S * 2/2010 Raisanen et al. D13/115
D629,356 S * 12/2010 Presz et al. D13/115
D638,358 S * 5/2011 Sauer, Jr. D13/115

* cited by examiner

Primary Examiner — Derrick Holland

(74) *Attorney, Agent, or Firm* — K. Gibner Lehmann

(57) **CLAIM**

The ornamental design for a turbine rotor, as shown and described.

DESCRIPTION

FIG. 1 is a perspective view of a turbine rotor showing my new design.

FIG. 2 is a front elevation of the rotor.

FIG. 3 is a rear elevation of the rotor.

FIG. 4 is a top plan view of the rotor.

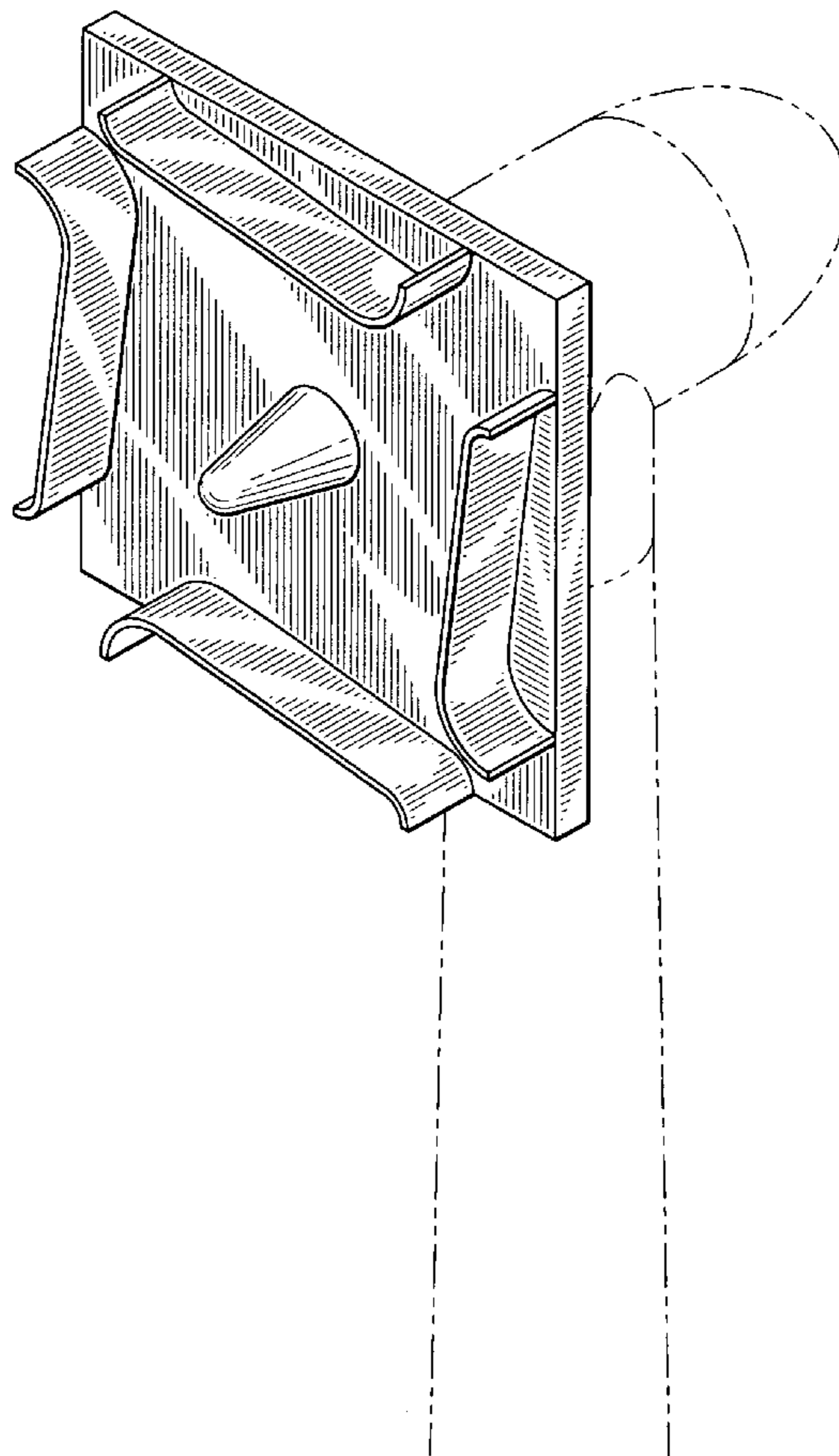
FIG. 5 is a bottom plan view of the rotor.

FIG. 6 is a left side elevation of the rotor; and,

FIG. 7 is a right side elevation of the rotor.

The broken lines shown represent unclaimed subject matter and form no part of the claimed design.

1 Claim, 3 Drawing Sheets



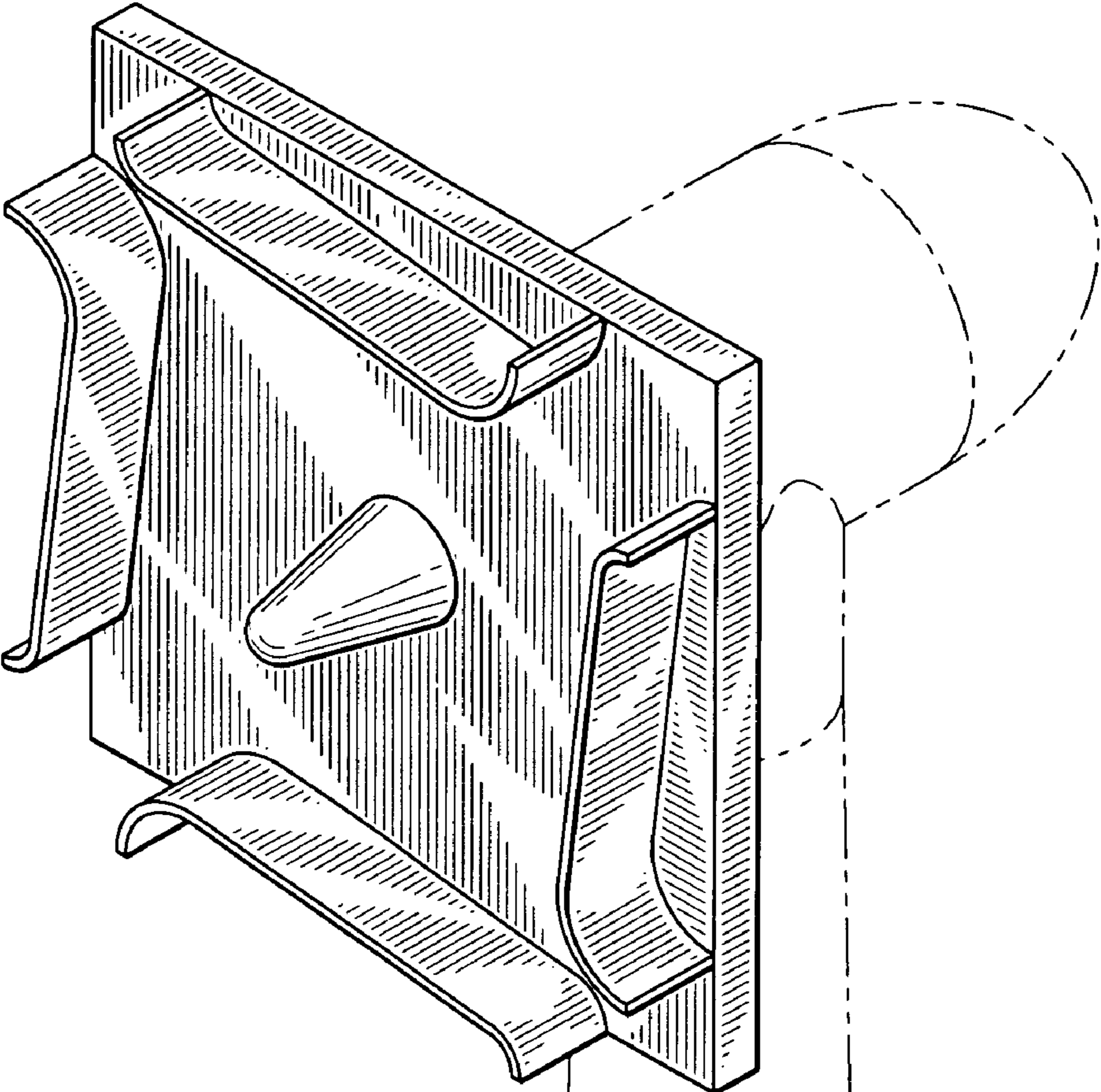


FIG. 1

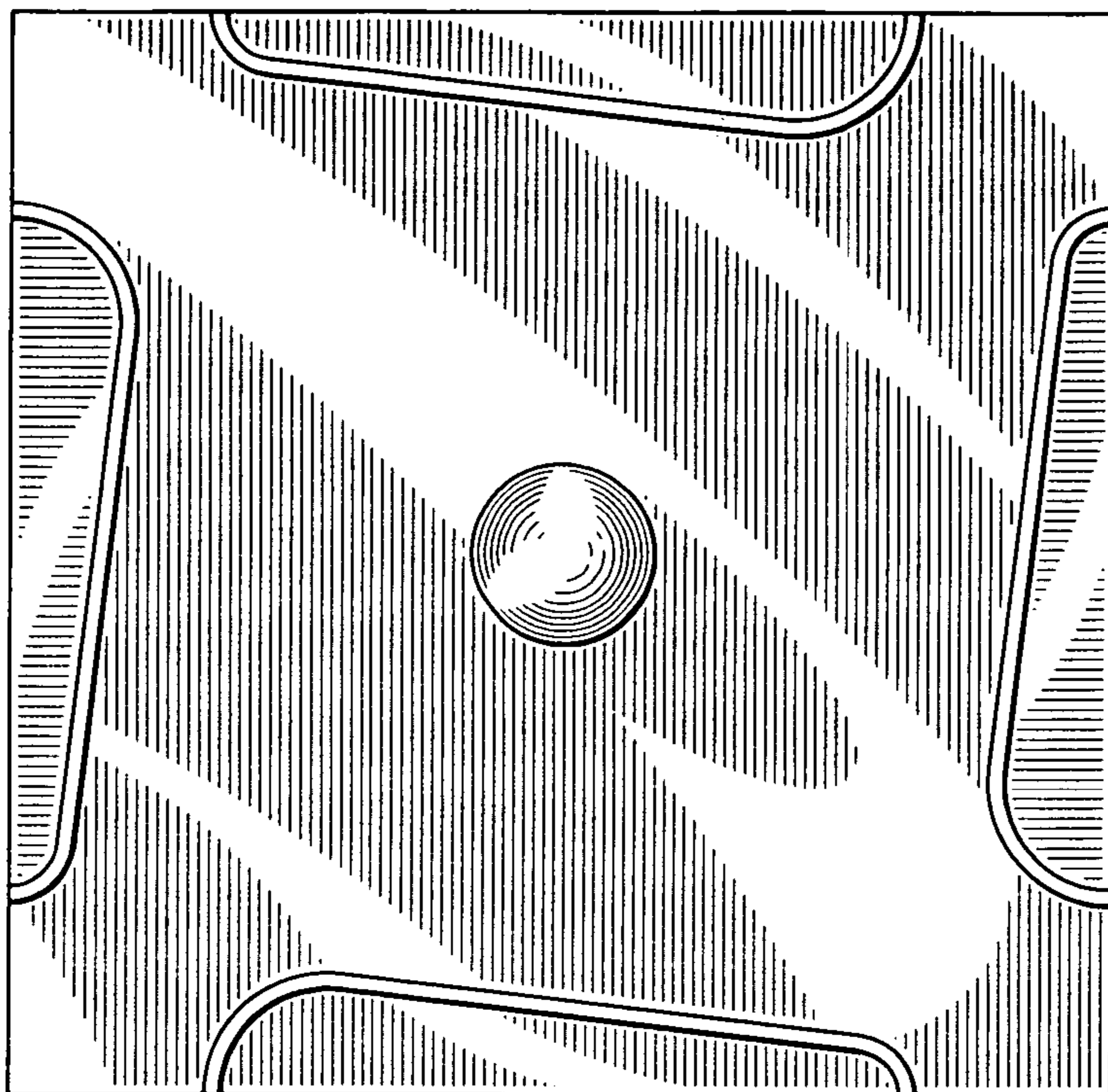


FIG. 2

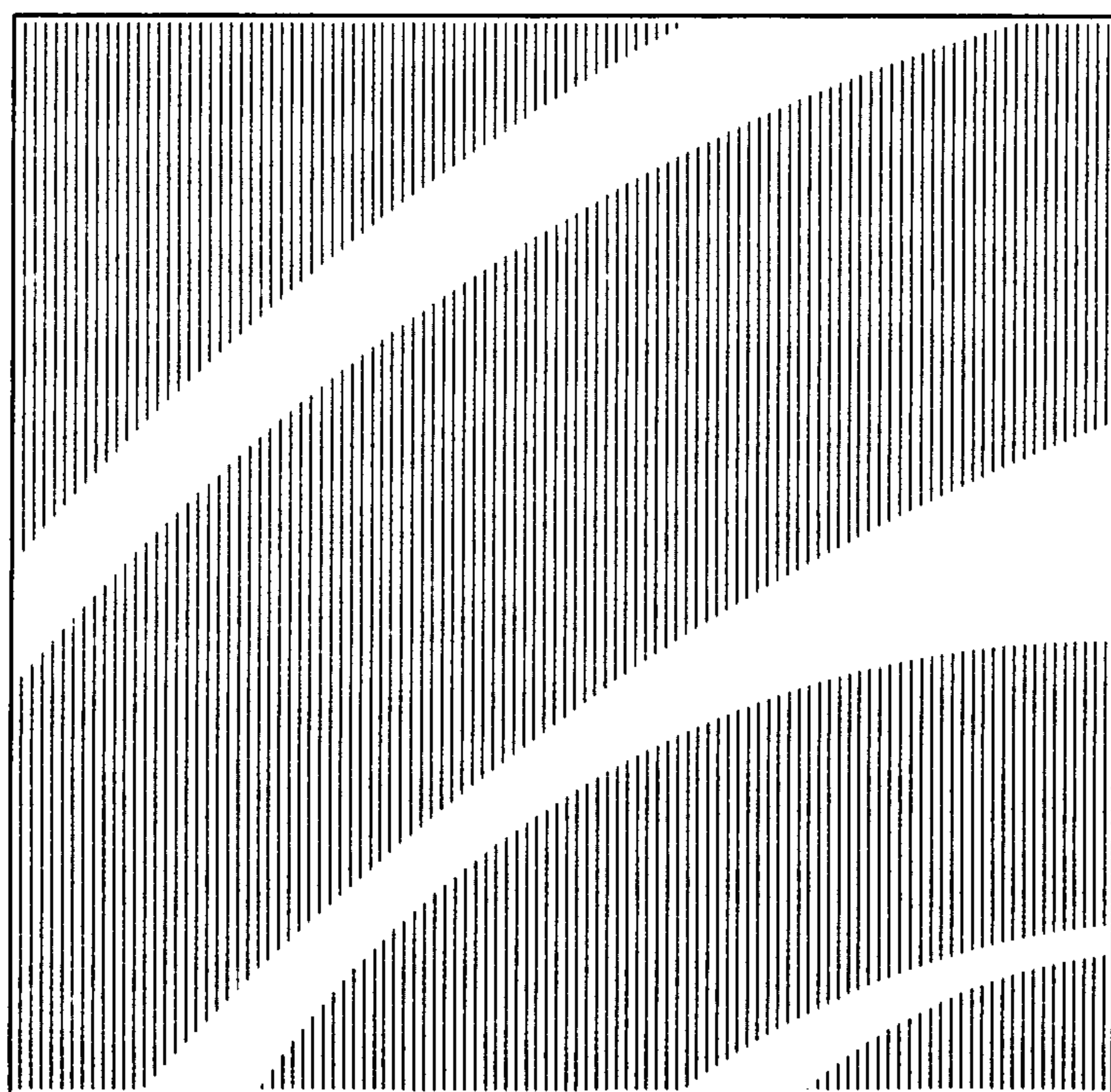


FIG. 3

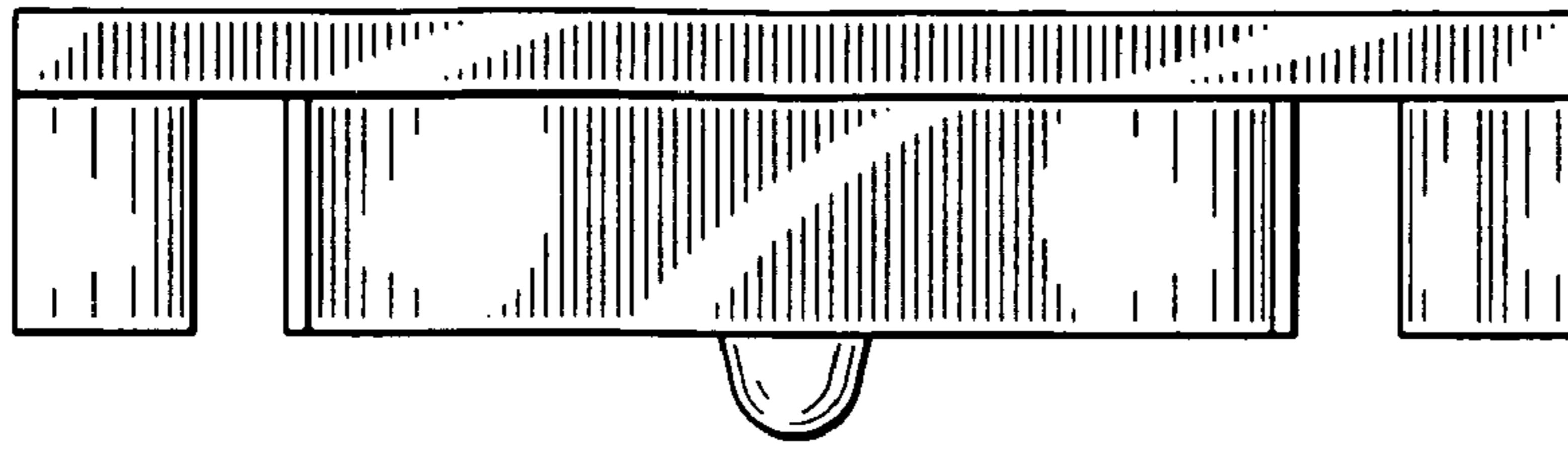


FIG. 4

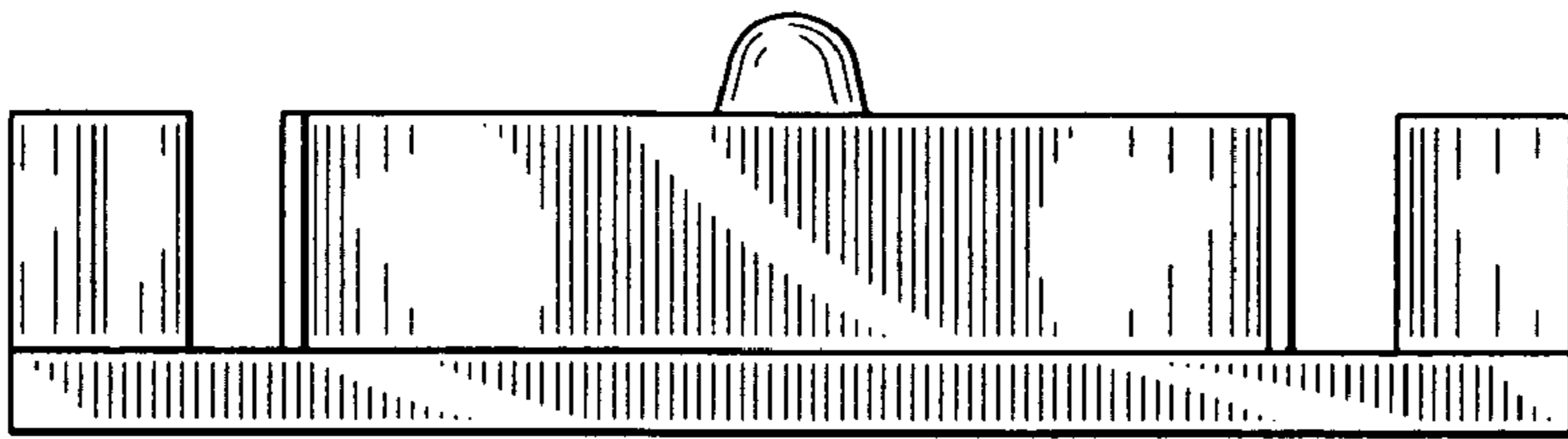


FIG. 5

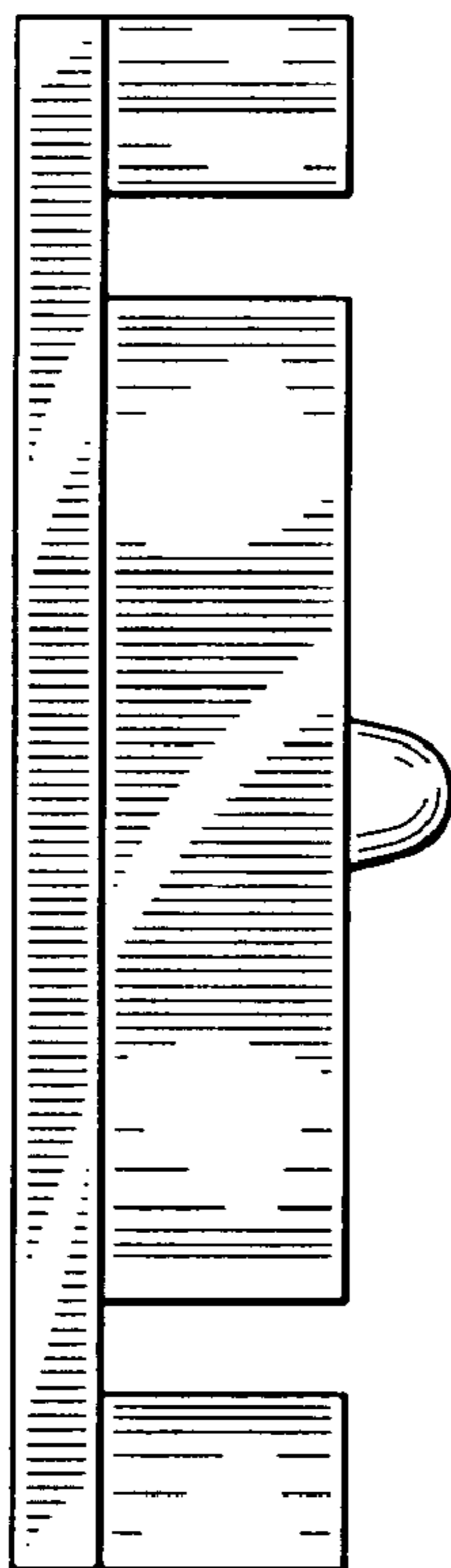


FIG. 6

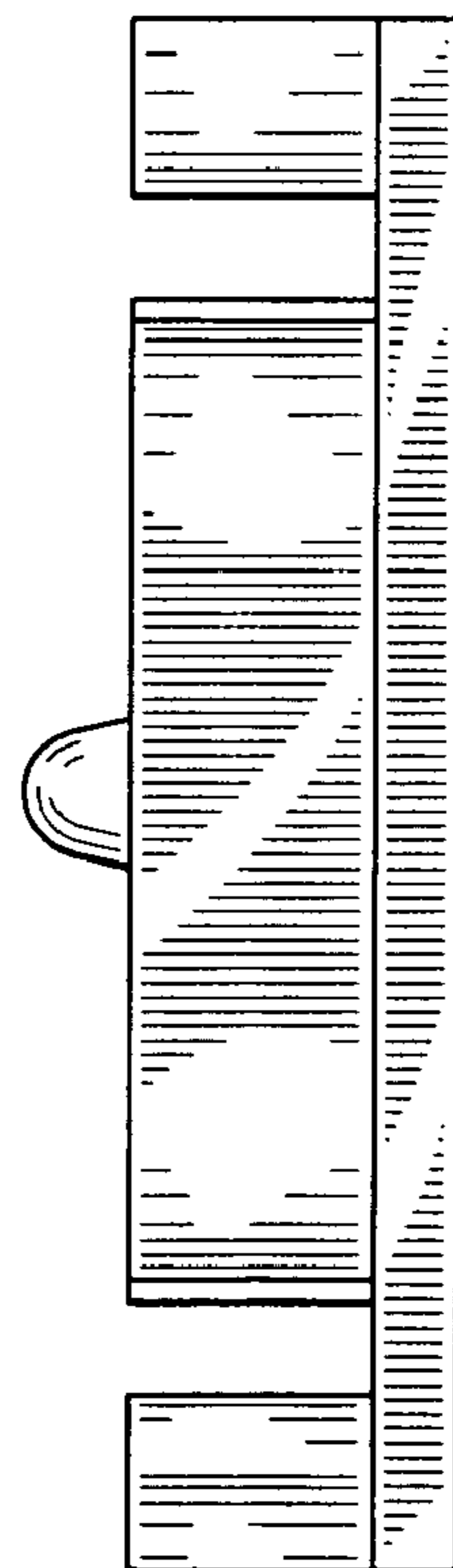


FIG. 7