



US00D660229S

(12) **United States Design Patent**
Tseng

(10) **Patent No.:** **US D660,229 S**

(45) **Date of Patent:** **** May 22, 2012**

(54) **POWER SUPPLY**

(75) Inventor: **Kuan-Shu Tseng**, New Taipei (TW)

(73) Assignee: **Timotion Technology Co., Ltd.**, New Taipei (TW)

(**) Term: **14 Years**

(21) Appl. No.: **29/408,190**

(22) Filed: **Dec. 8, 2011**

(51) **LOC (9) Cl.** **13-02**

(52) **U.S. Cl.** **D13/110**

(58) **Field of Classification Search** D13/110,
D13/107, 108, 118, 119, 123, 133, 137.1,
D13/184, 199; D14/251, 432, 434; 174/53,
174/54, 59, 61; 307/11, 150, 151; 320/107,
320/111, 112, 113, 114, 115; 361/679.01;
363/142, 146; 439/131, 172, 626, 628, 638
See application file for complete search history.

(56) **References Cited**

U.S. PATENT DOCUMENTS

D338,188	S	*	8/1993	Lee et al.	D13/110
D350,113	S	*	8/1994	Nagele	D13/110
D375,937	S	*	11/1996	Mergenthaler et al.	D13/110
5,613,863	A	*	3/1997	Klaus et al.	439/131
D383,115	S	*	9/1997	Nagele et al.	D13/110
5,684,689	A	*	11/1997	Hahn	363/146

6,086,395	A	*	7/2000	Lloyd et al.	439/172
D428,862	S	*	8/2000	Queffelec et al.	D13/184
D454,537	S	*	3/2002	O'Connor et al.	D13/110
D456,008	S	*	4/2002	Kawanobe et al.	D13/110
D484,853	S	*	1/2004	Alviar	D13/110
D593,031	S	*	5/2009	Miyatake et al.	D13/110

* cited by examiner

Primary Examiner — Derrick Holland

(74) *Attorney, Agent, or Firm* — Chun-Ming Shih; HDLS IPR Services

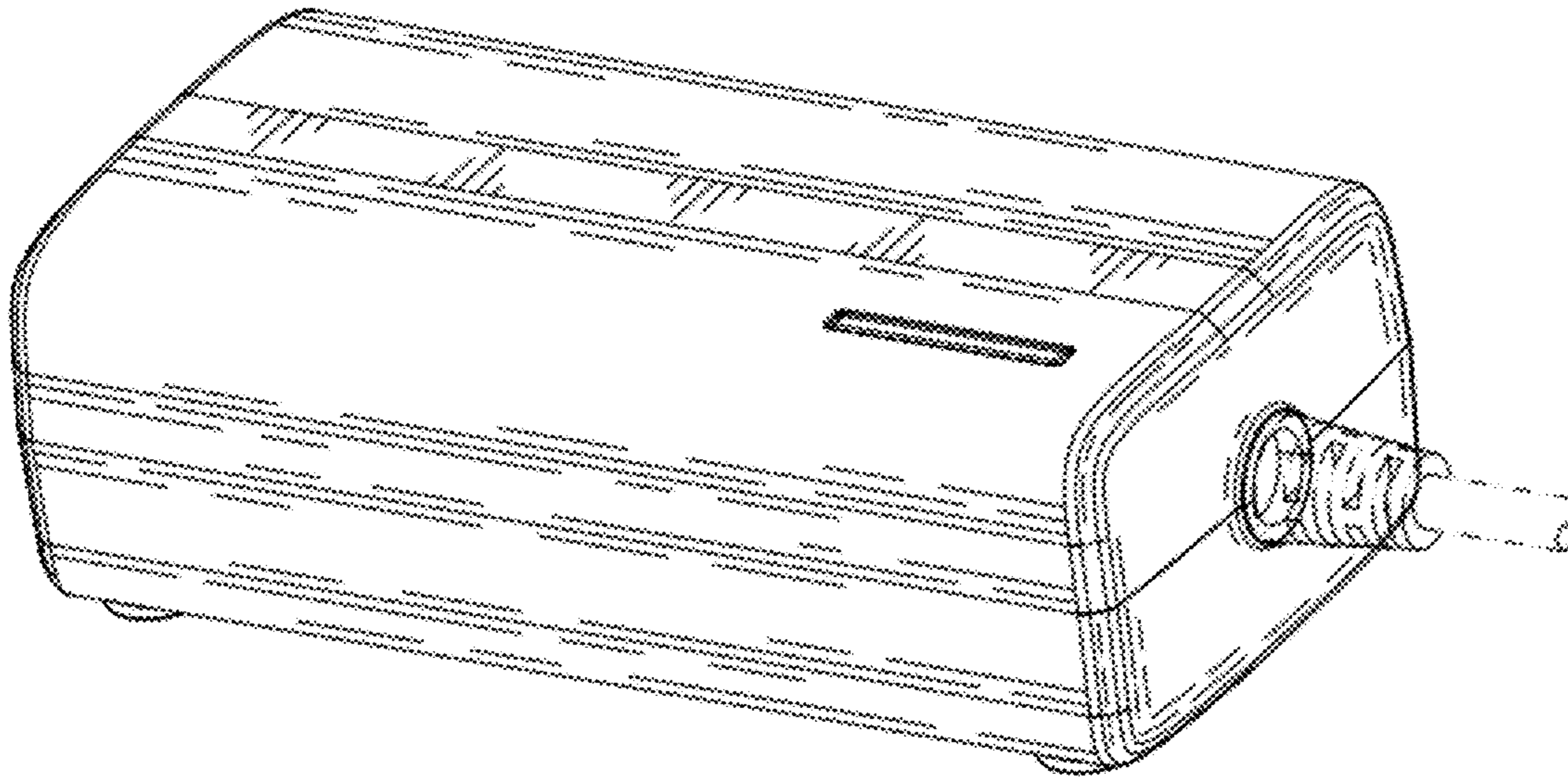
(57) **CLAIM**

The ornamental design for a power supply, as shown and described.

DESCRIPTION

FIG. 1 is a perspective view of a power supply showing my new design;
FIG. 2 is a front view thereof;
FIG. 3 is a rear view thereof;
FIG. 4 is a left side view thereof;
FIG. 5 is a right side view thereof;
FIG. 6 is a top view thereof;
FIG. 7 is a bottom view thereof; and,
FIG. 8 is another perspective view thereof.
The broken lines shown represent unclaimed subject matter and form no part of the claimed design.

1 Claim, 6 Drawing Sheets



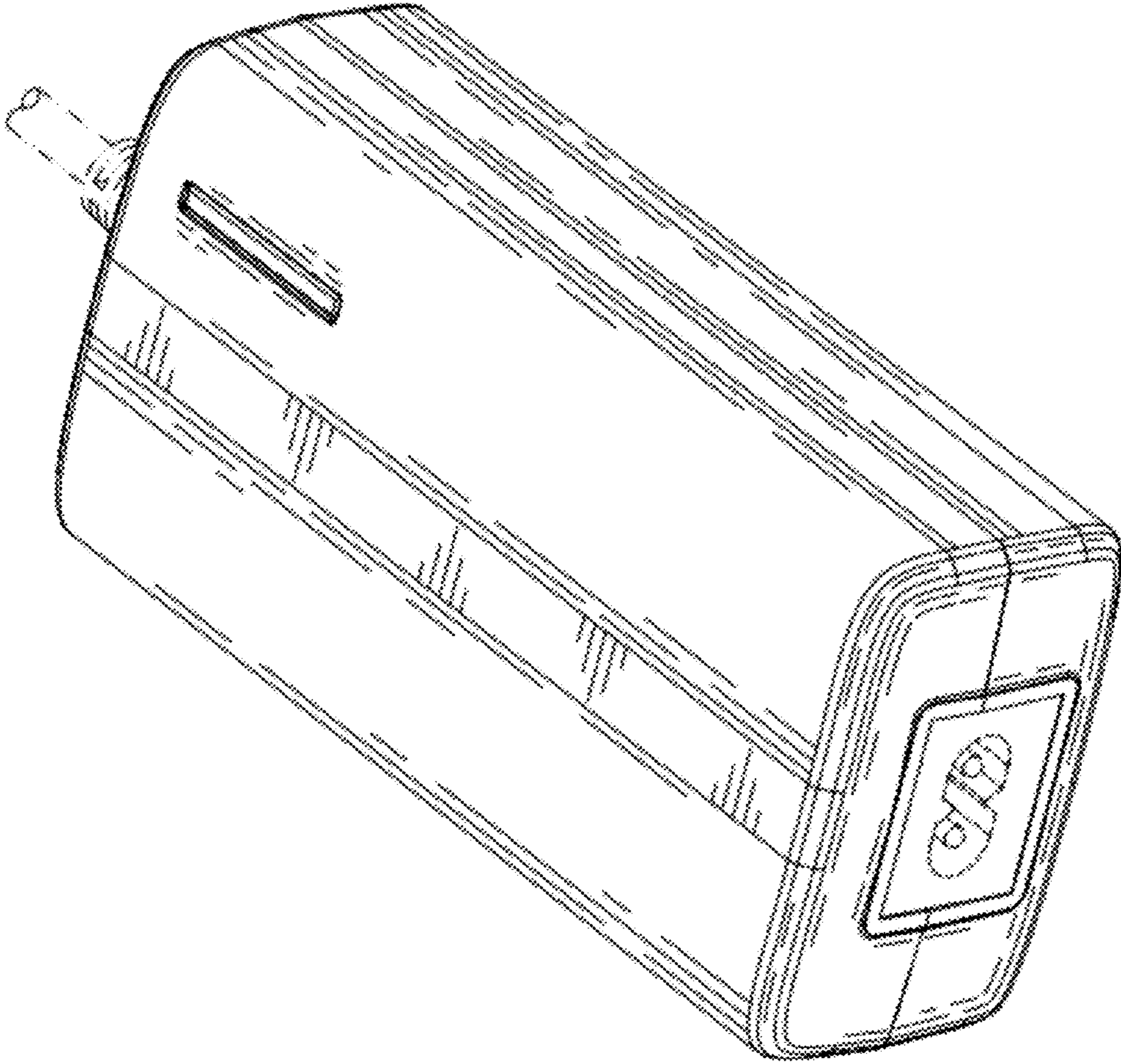


FIG.1

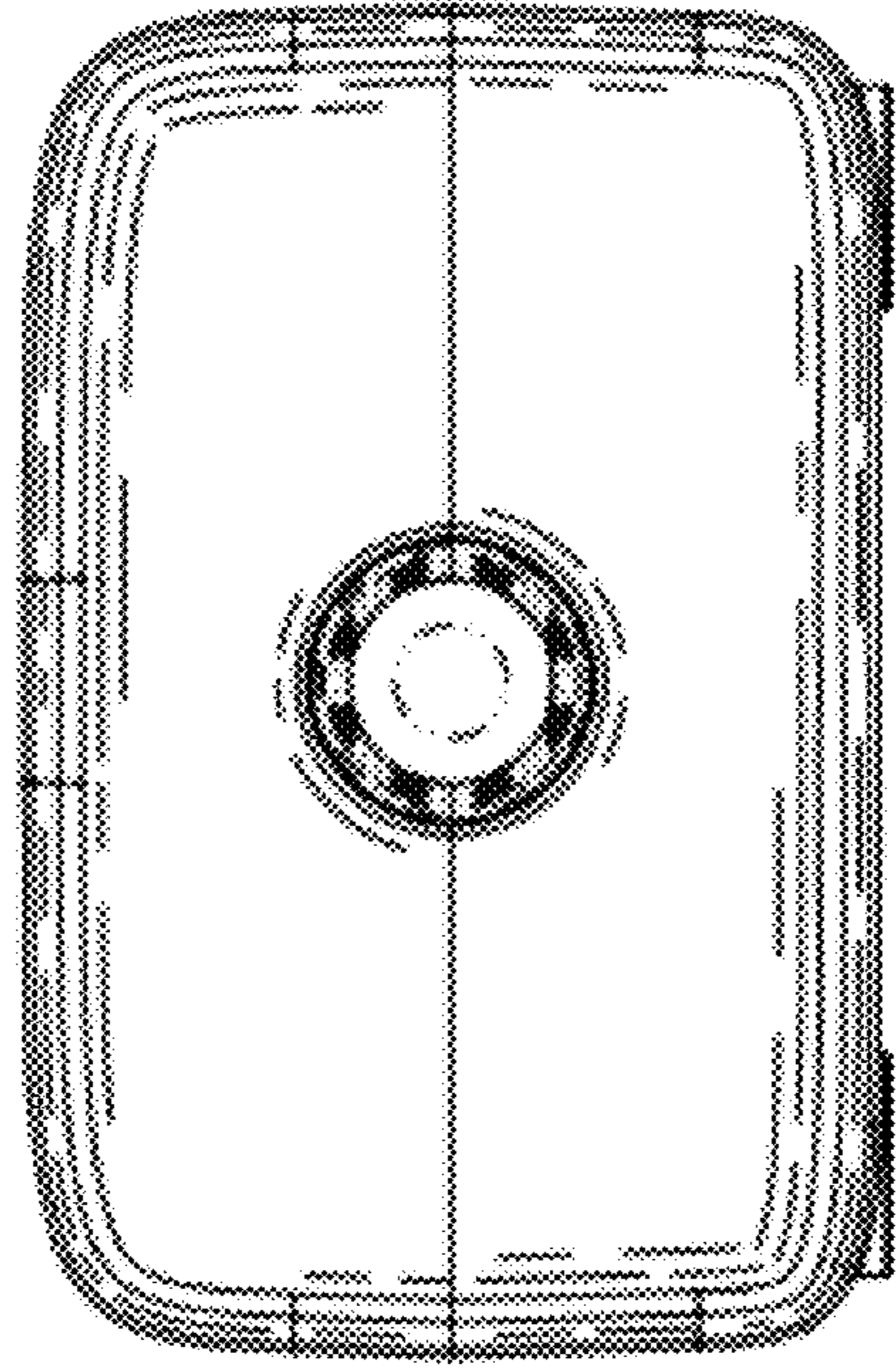


FIG.3

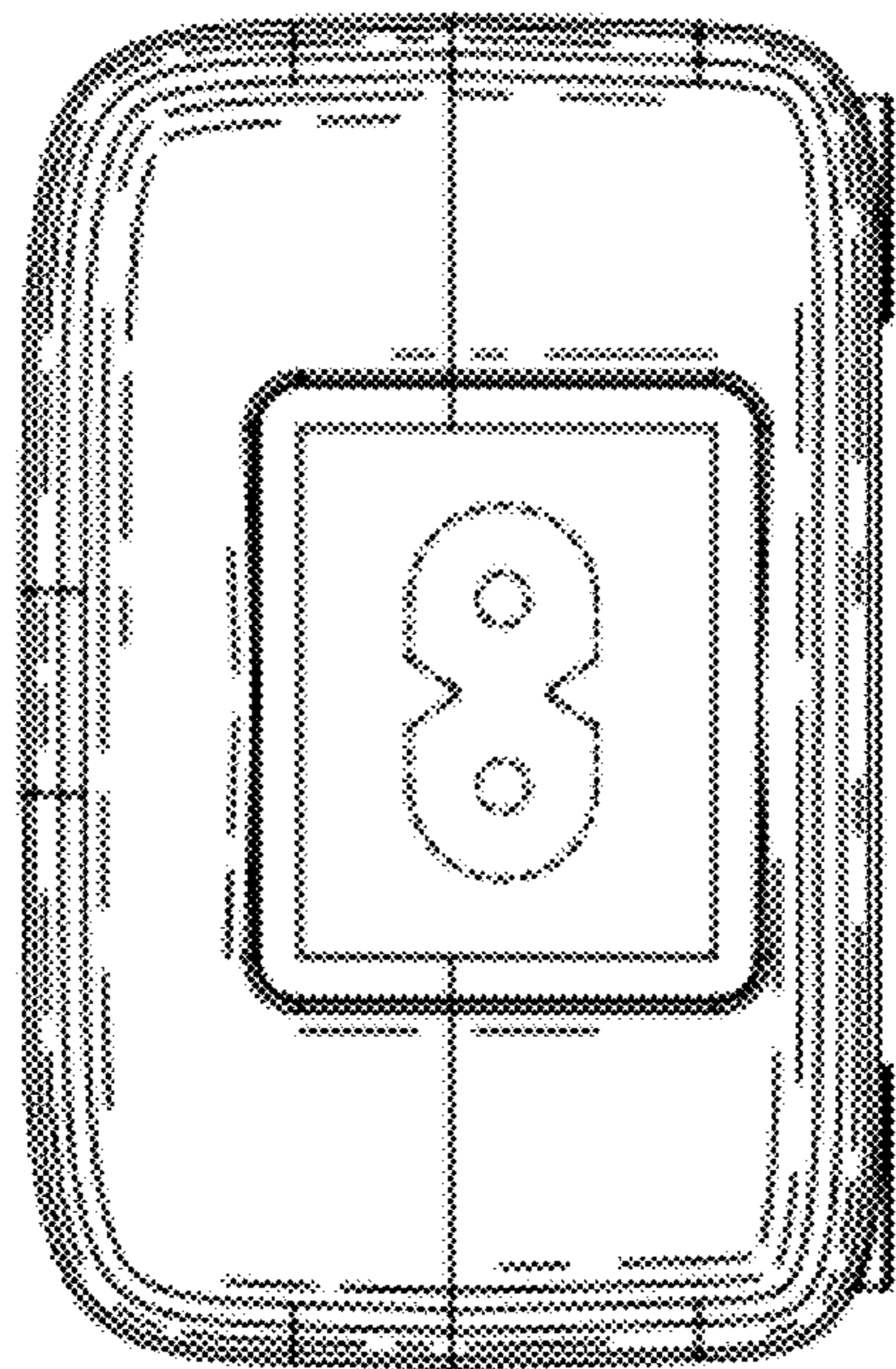


FIG.2

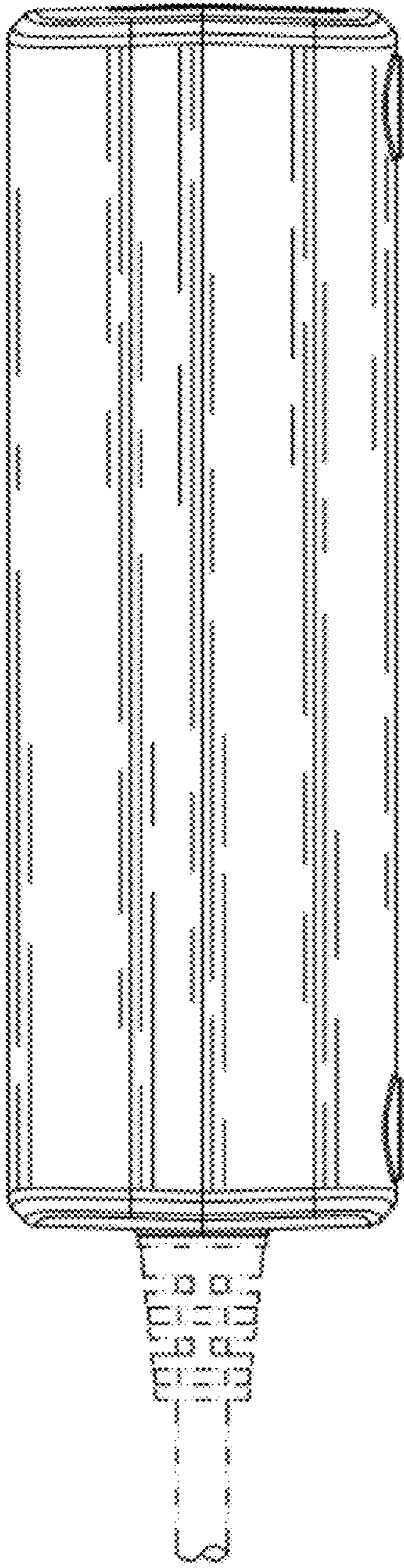


FIG. 4

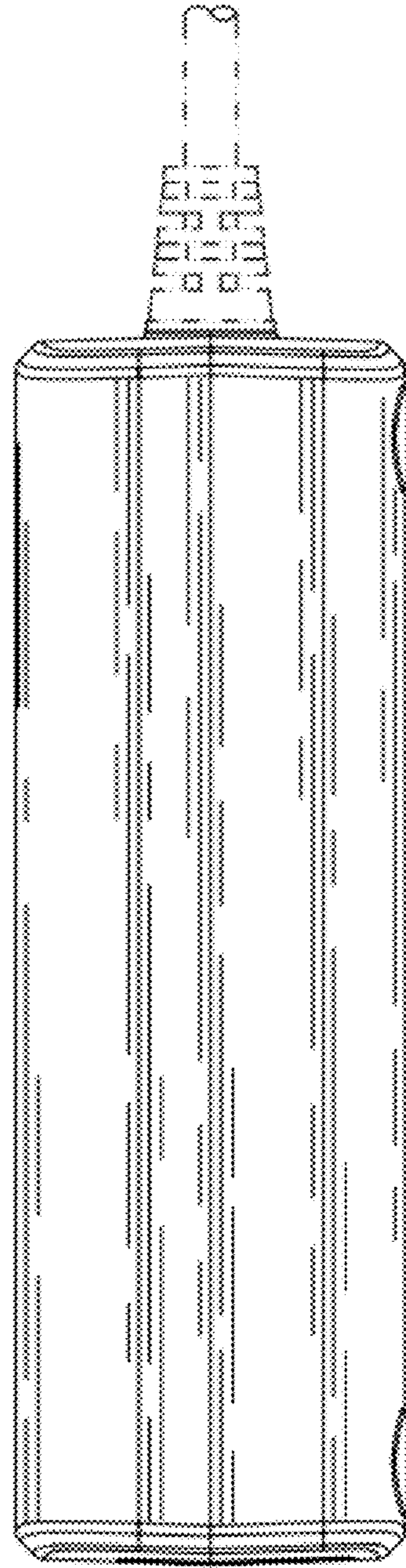


FIG. 5

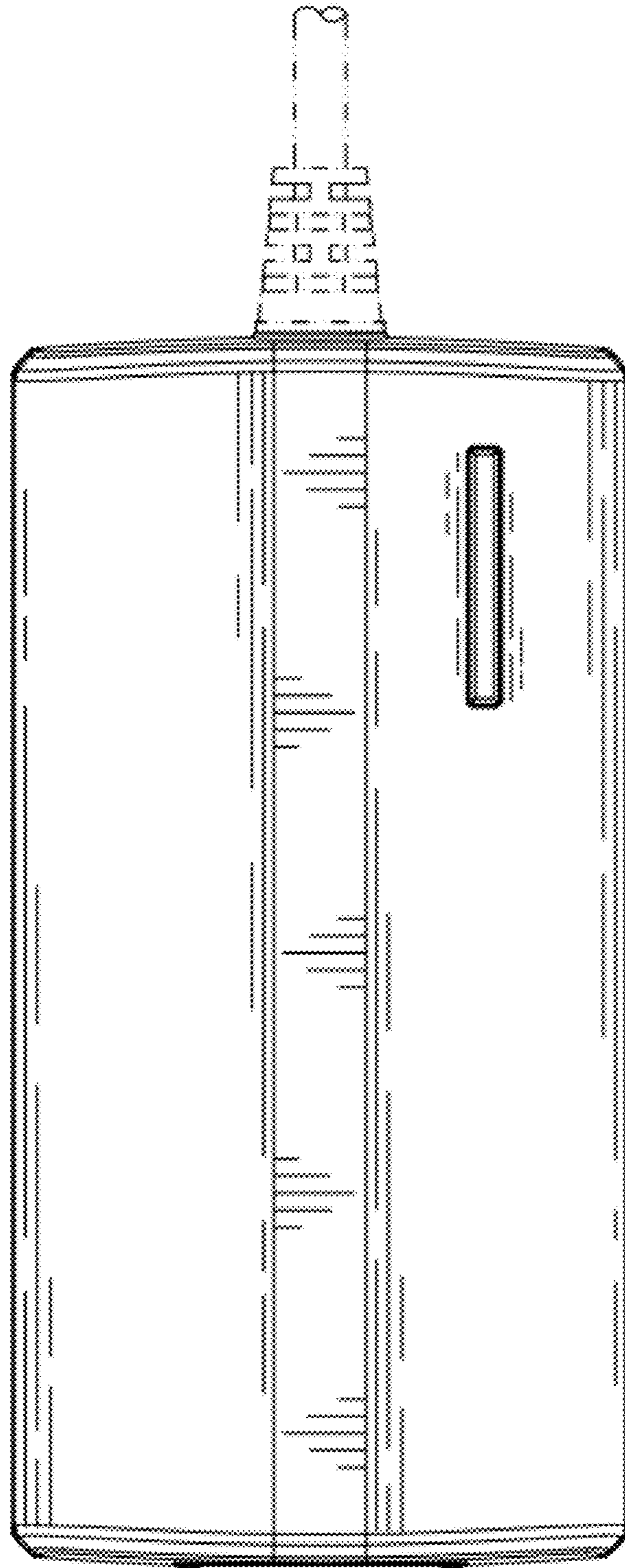


FIG.6

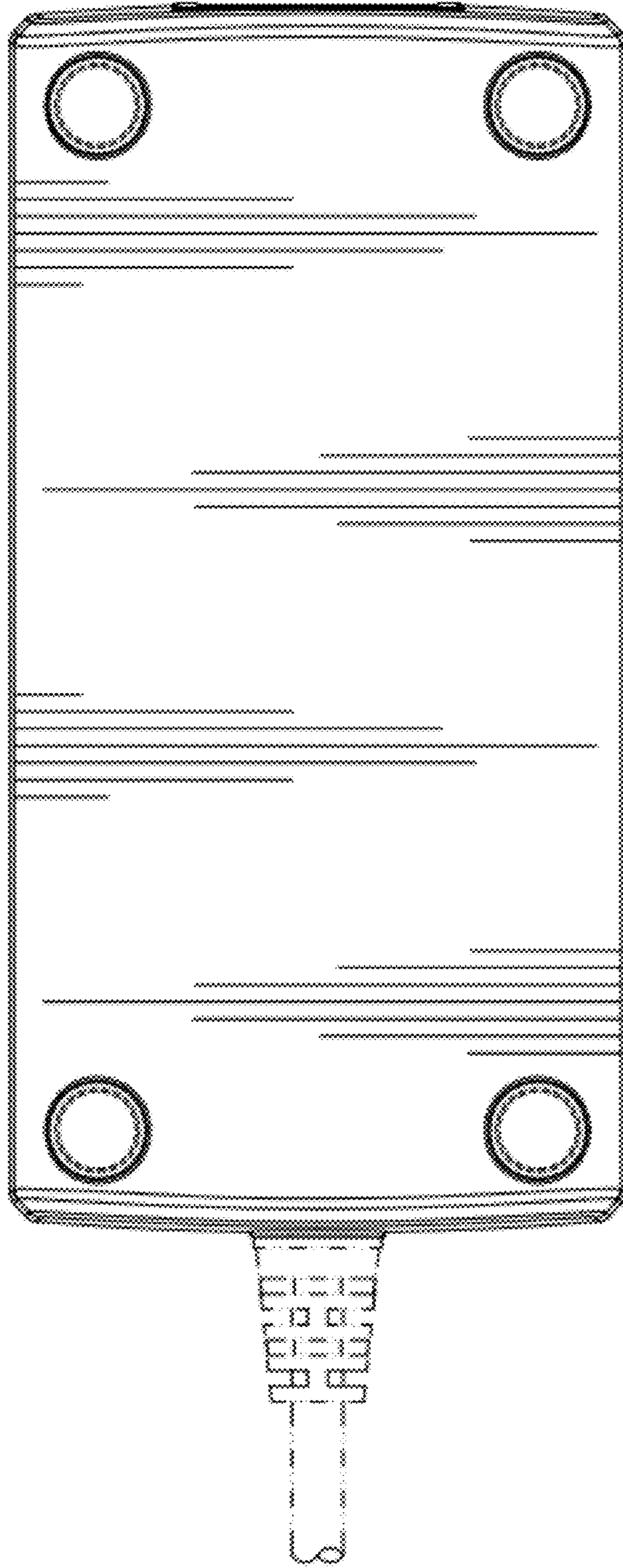


FIG.7

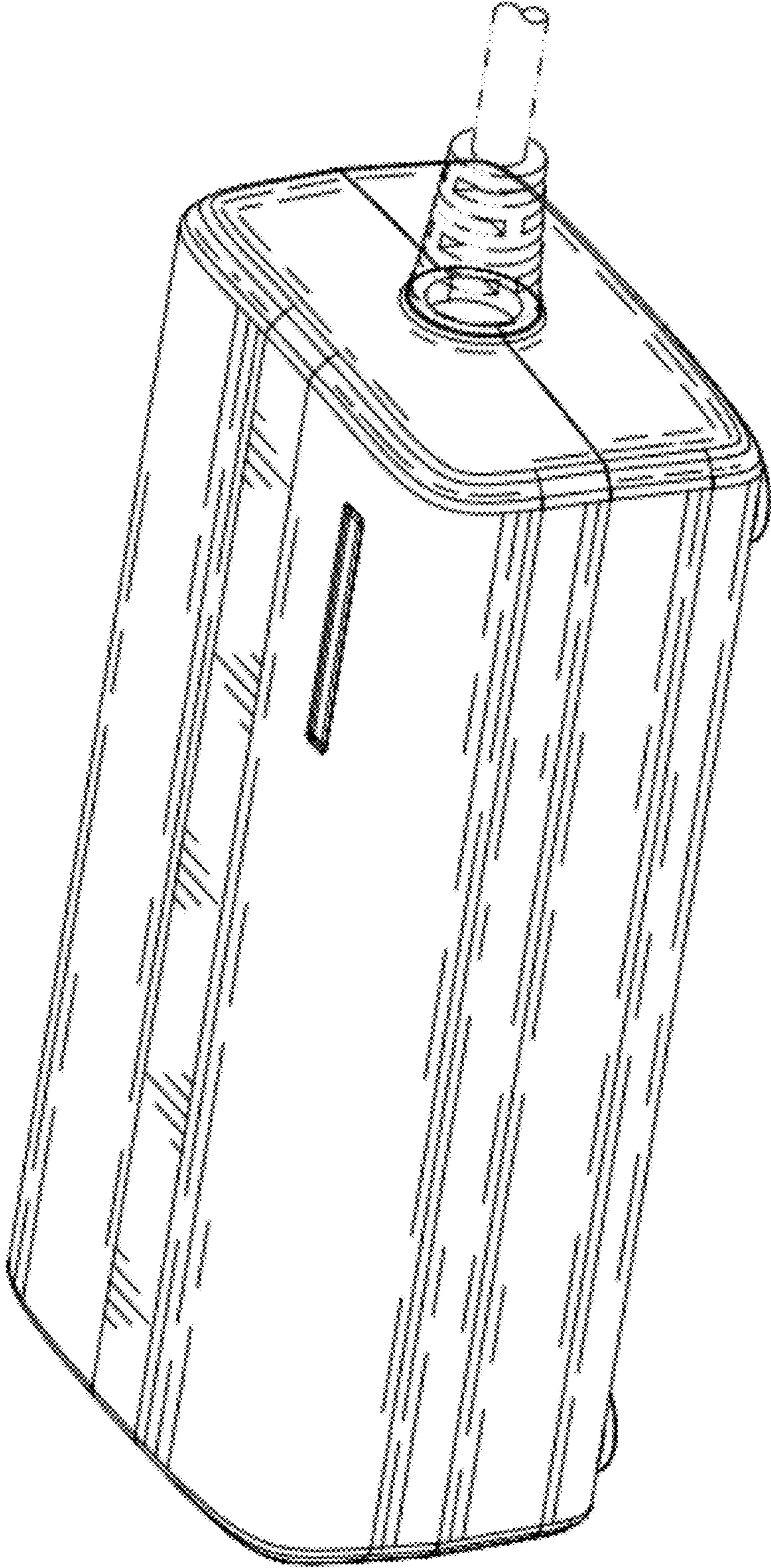


FIG.8