



US00D660227S

(12) **United States Design Patent**  
**Rødbro**

(10) **Patent No.:** **US D660,227 S**

(45) **Date of Patent:** **\*\* May 22, 2012**

(54) **APPARATUS FOR RECHARGING BATTERIES**

(75) Inventor: **Søren Rødbro**, Fjerritslev (DK)

(73) Assignee: **Inelco A/S**, Fjerritslev (DK)

(\*\*) Term: **14 Years**

(21) Appl. No.: **29/309,792**

(22) Filed: **Oct. 14, 2008**

(51) **LOC (9) Cl.** ..... **13-02**

(52) **U.S. Cl.** ..... **D13/107**

(58) **Field of Classification Search** ..... D13/107–110,  
D13/118–119, 184, 199; D14/251, 253,  
D14/432, 434; 320/107–115

See application file for complete search history.

(56) **References Cited**

U.S. PATENT DOCUMENTS

D323,504 S *	1/1992	Langton	.....	D14/142
D360,367 S *	7/1995	Petruzzi	.....	D10/6
D363,473 S *	10/1995	Leman	.....	D14/434
D429,242 S *	8/2000	Sun	.....	D14/253
D458,600 S *	6/2002	Freitag et al.	.....	D14/314
D486,492 S *	2/2004	Sheu et al.	.....	D14/434
6,876,172 B2 *	4/2005	Lam et al.	.....	320/110
D513,731 S *	1/2006	Kang et al.	.....	D13/107
D514,062 S *	1/2006	Chang	.....	D13/108
D520,013 S *	5/2006	Yang	.....	D14/434

\* cited by examiner

*Primary Examiner* — Rosemary K Tarcza

(74) *Attorney, Agent, or Firm* — Sheridan Ross, P.C.

(57) **CLAIM**

The ornamental design for an apparatus for recharging batteries, as shown and described.

**DESCRIPTION**

FIG. 1 is a perspective view of an apparatus for recharging batteries according to a first embodiment of my design when in an opened state,

FIG. 2 is a top plan view thereof when opened,

FIG. 3 is a front view thereof when opened,

FIG. 4 is a rear view thereof when opened,

FIG. 5 is a bottom view thereof when opened,

FIG. 6 is a perspective view thereof when closed,

FIG. 7 is a second perspective view thereof when closed,

FIG. 8 is a perspective view of a second embodiment when in an open state,

FIG. 9 is a top view thereof when open,

FIG. 10 is a front view thereof when closed,

FIG. 11 is a rear view thereof when closed,

FIG. 12 is a second perspective view thereof when closed,

FIG. 13 is a top view thereof when closed,

FIG. 14 is a bottom view thereof when closed,

FIG. 15 is a perspective view of a third embodiment when in a closed state,

FIG. 16 is a side view thereof when closed,

FIG. 17 is a rear view thereof when closed,

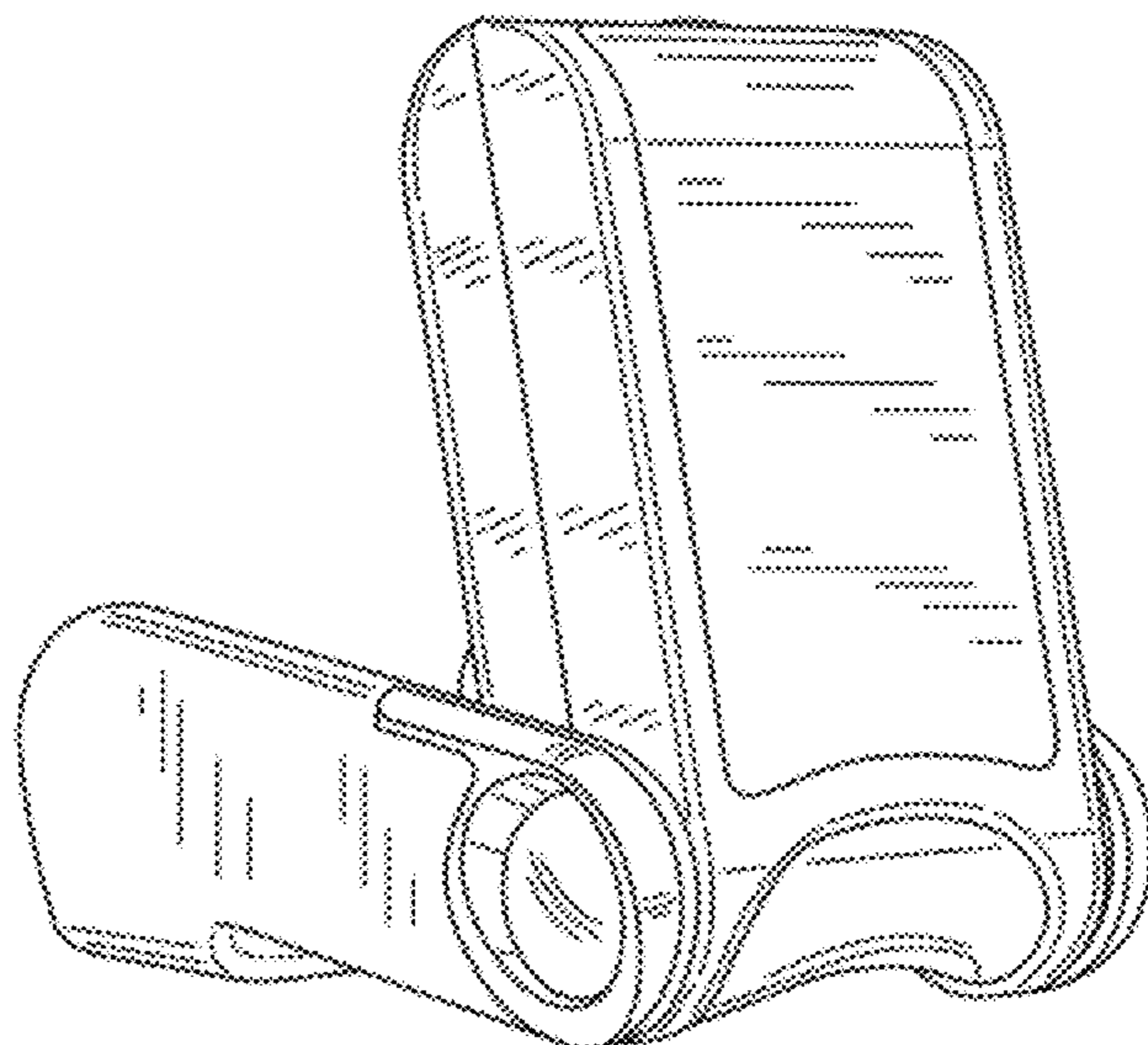
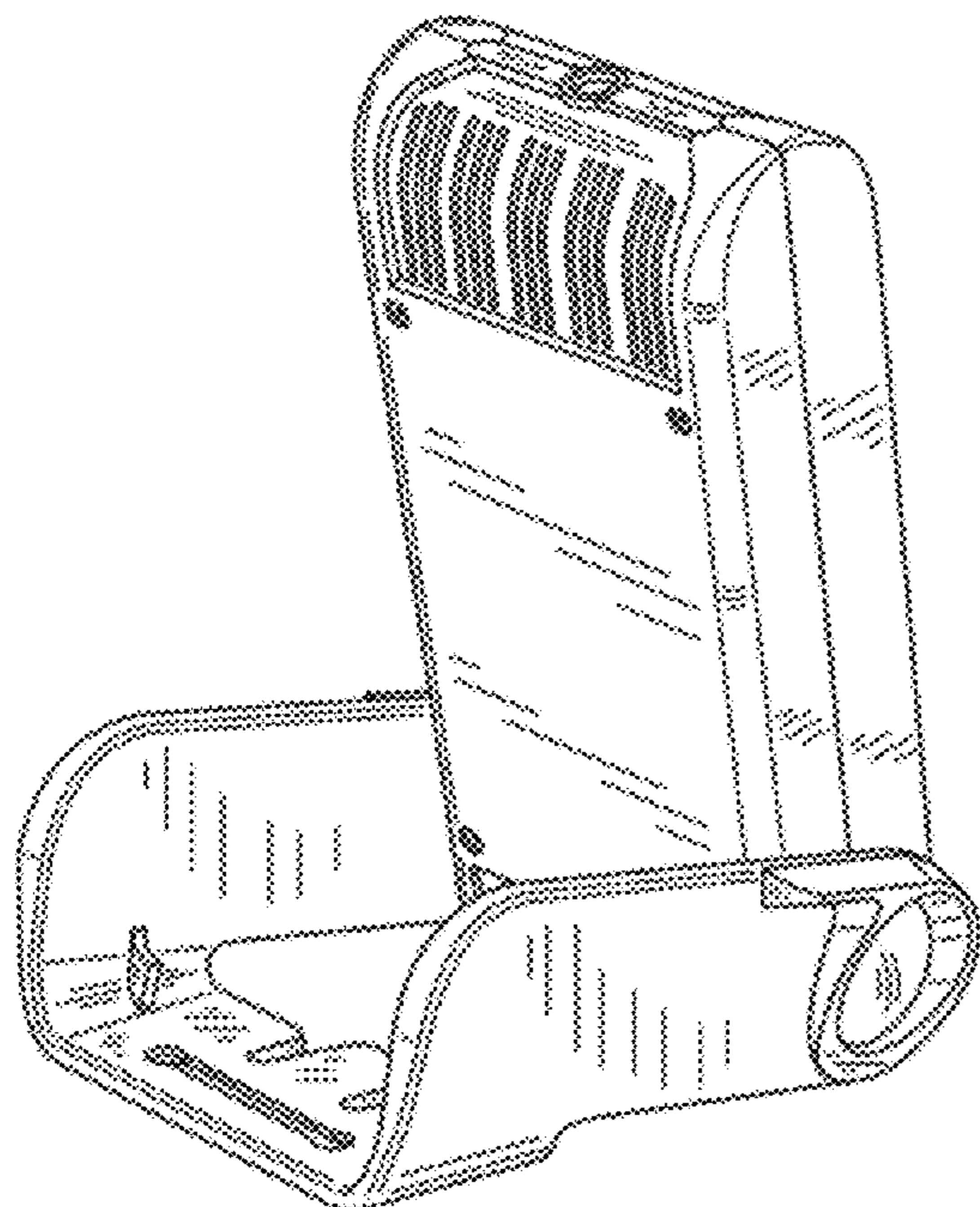
FIG. 18 is a top view thereof when closed,

FIG. 19 is front view thereof when closed,

FIG. 20 is a perspective view thereof when opened; and,

FIG. 21 is a bottom view thereof when closed.

**1 Claim, 11 Drawing Sheets**



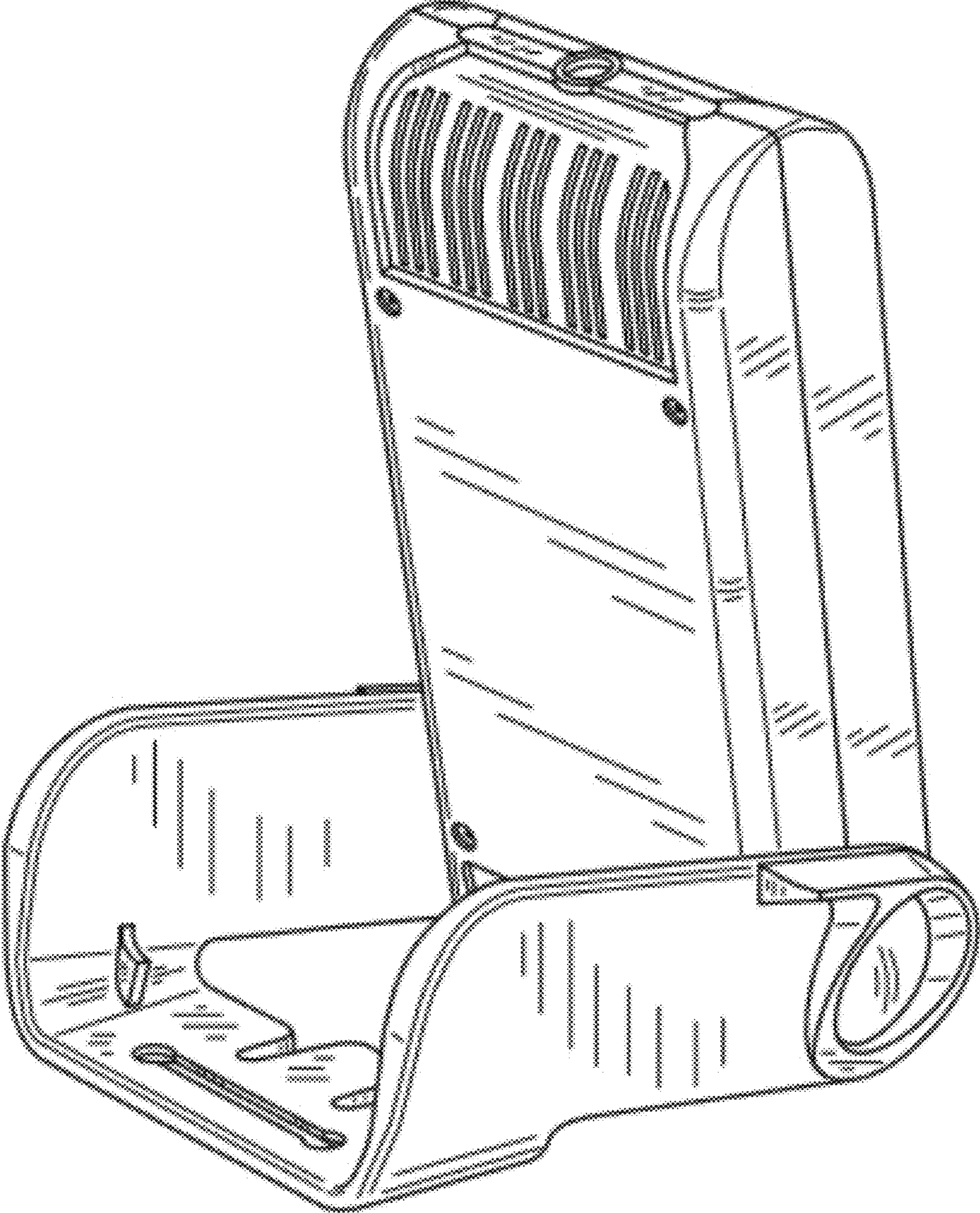


FIG. 1

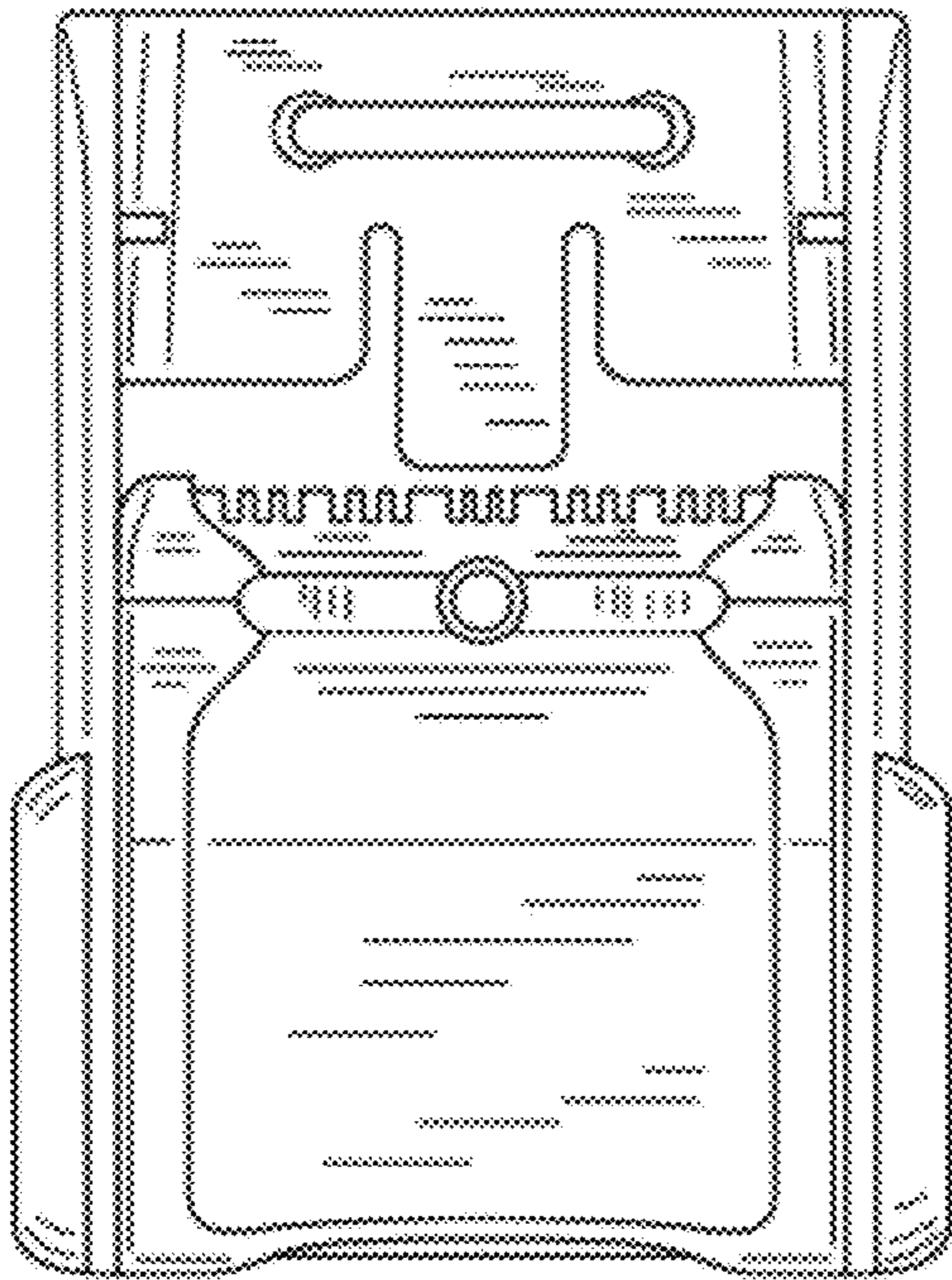


FIG. 2

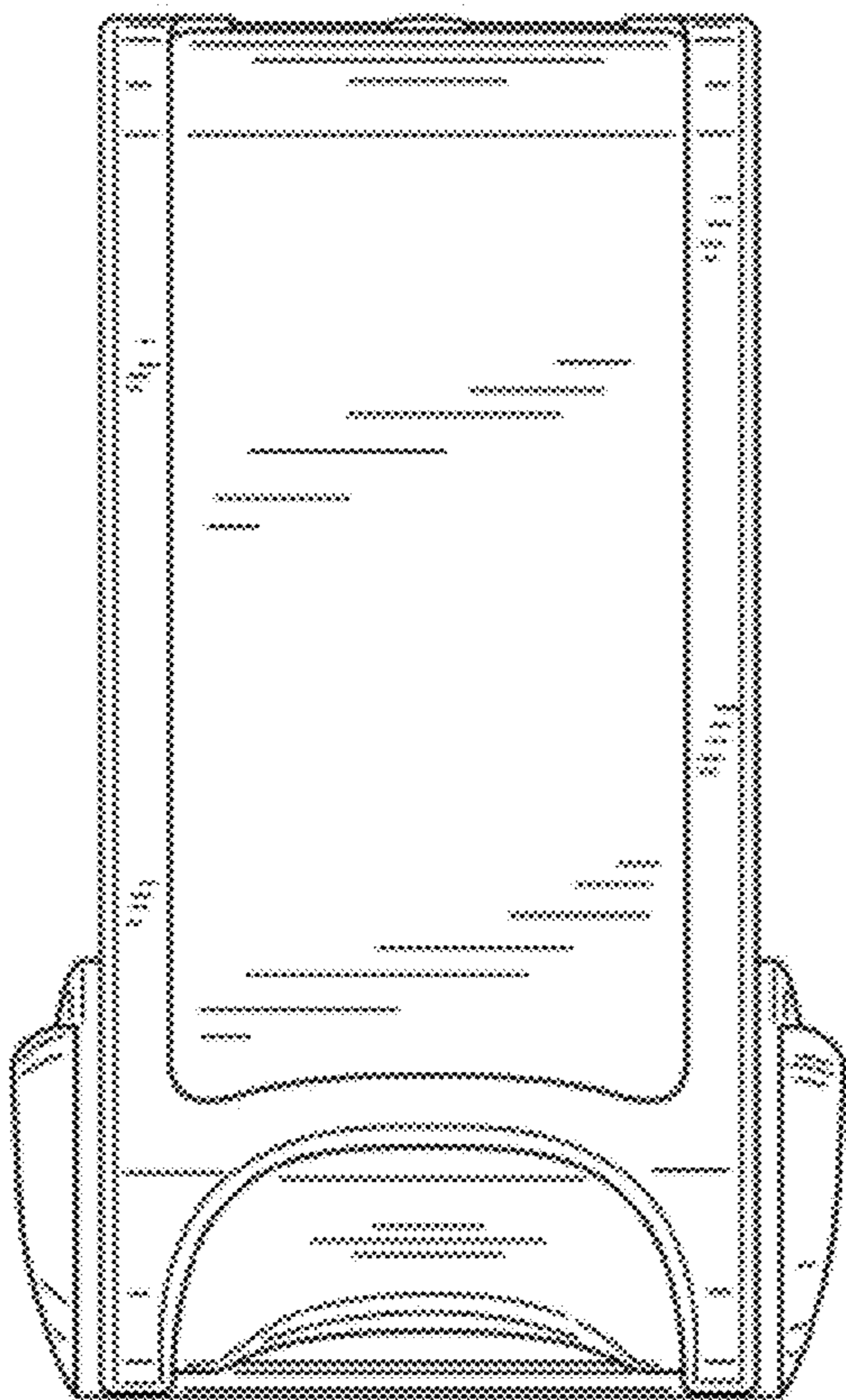


FIG. 3

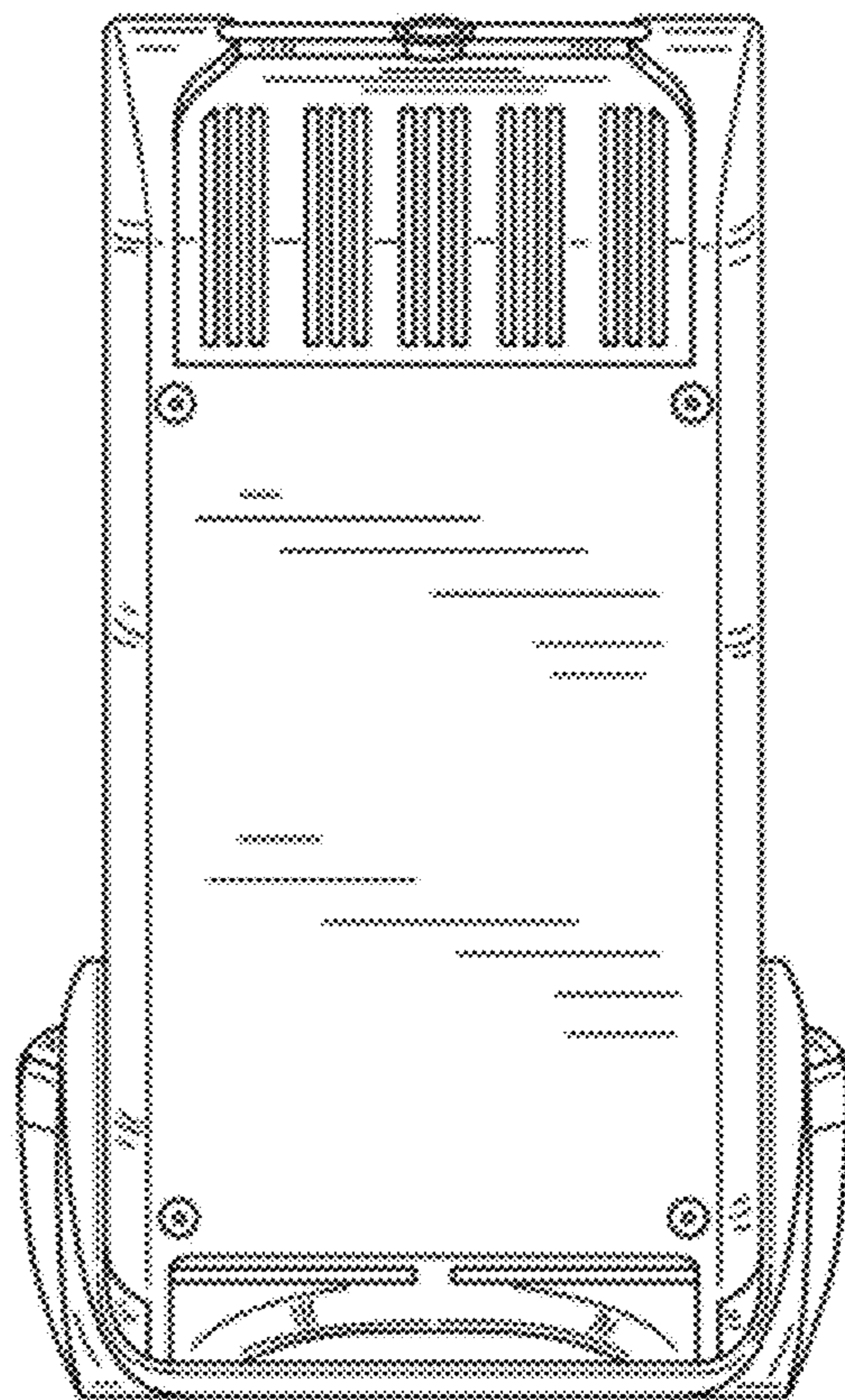


FIG. 4

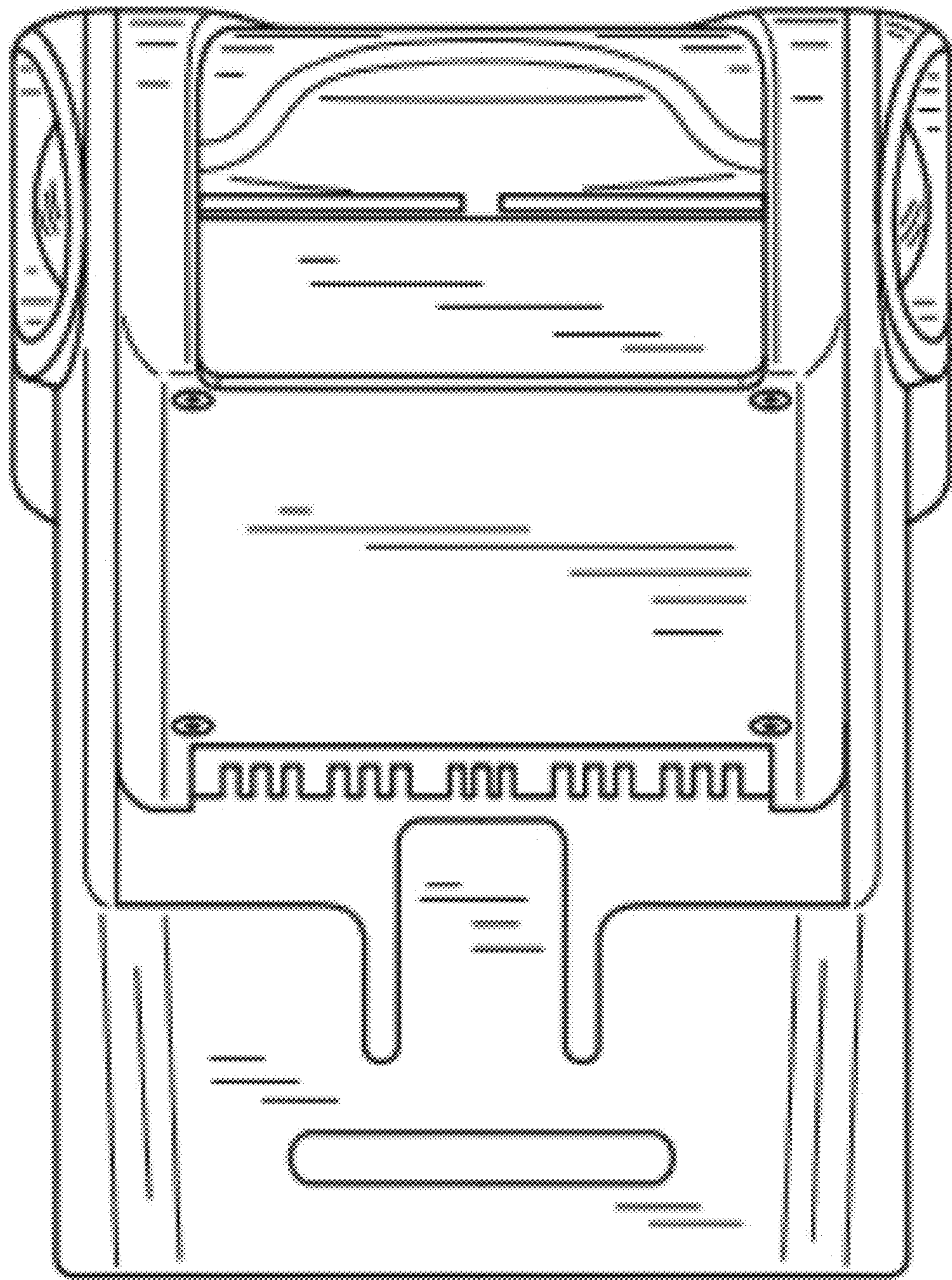


FIG. 5

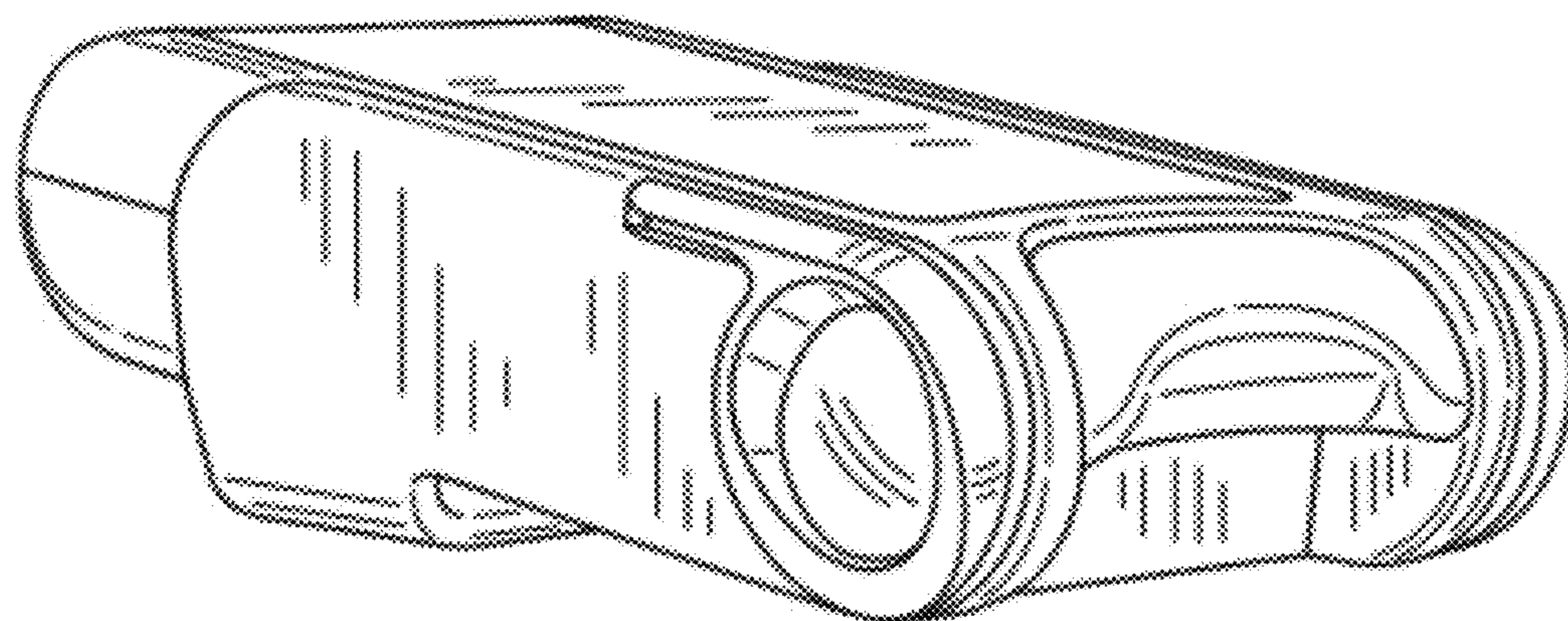


FIG. 6

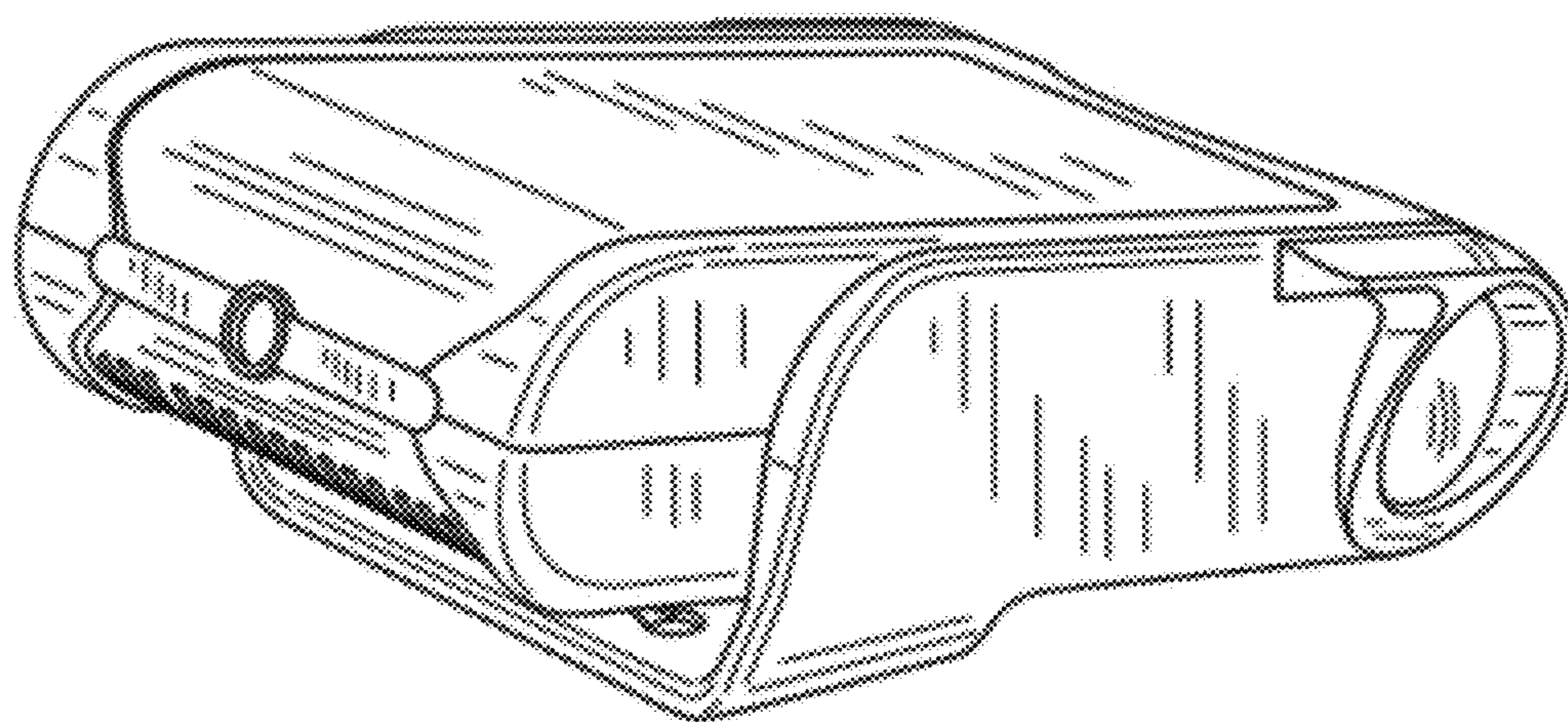


FIG. 7

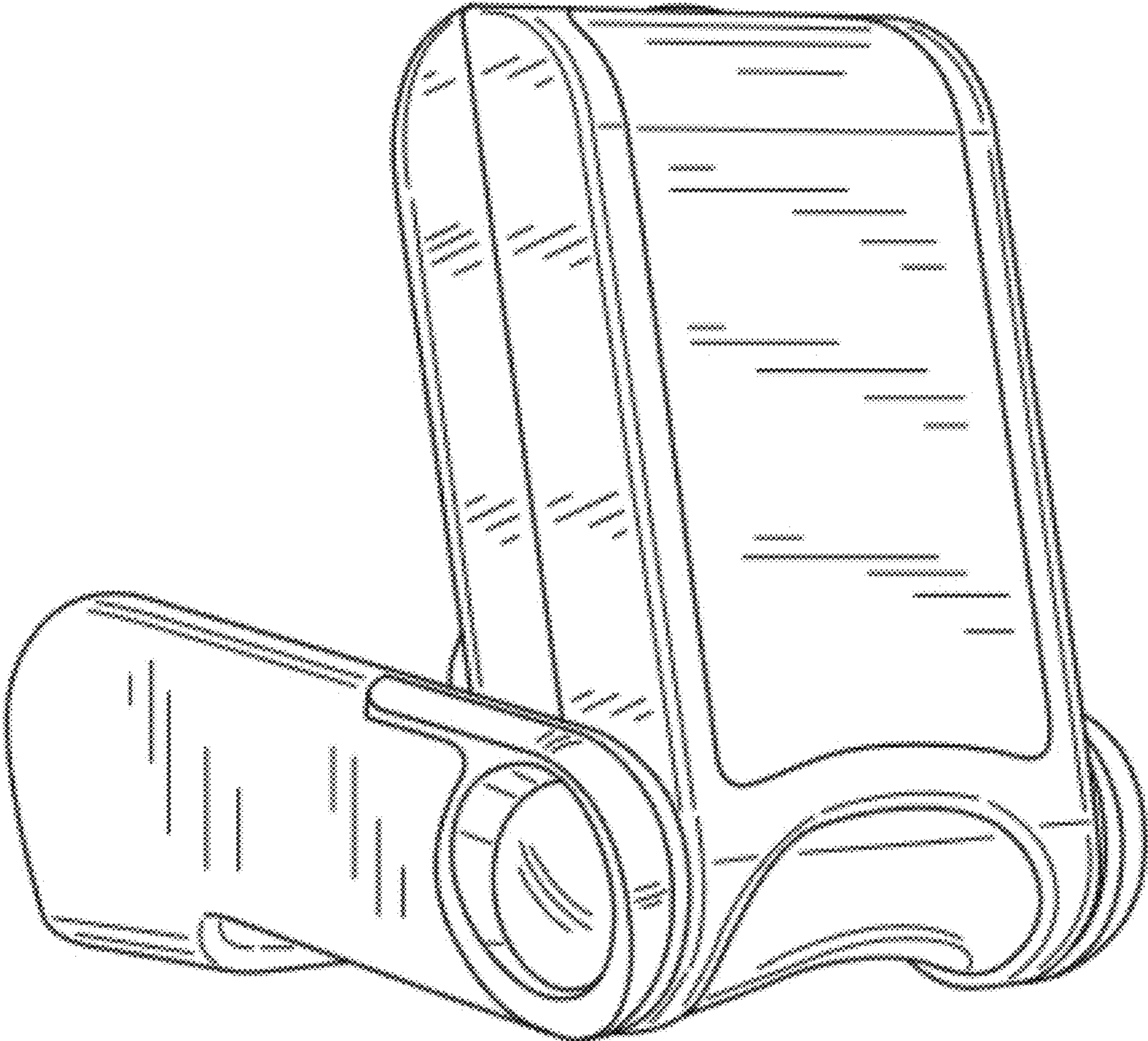


FIG. 8

FIG.9

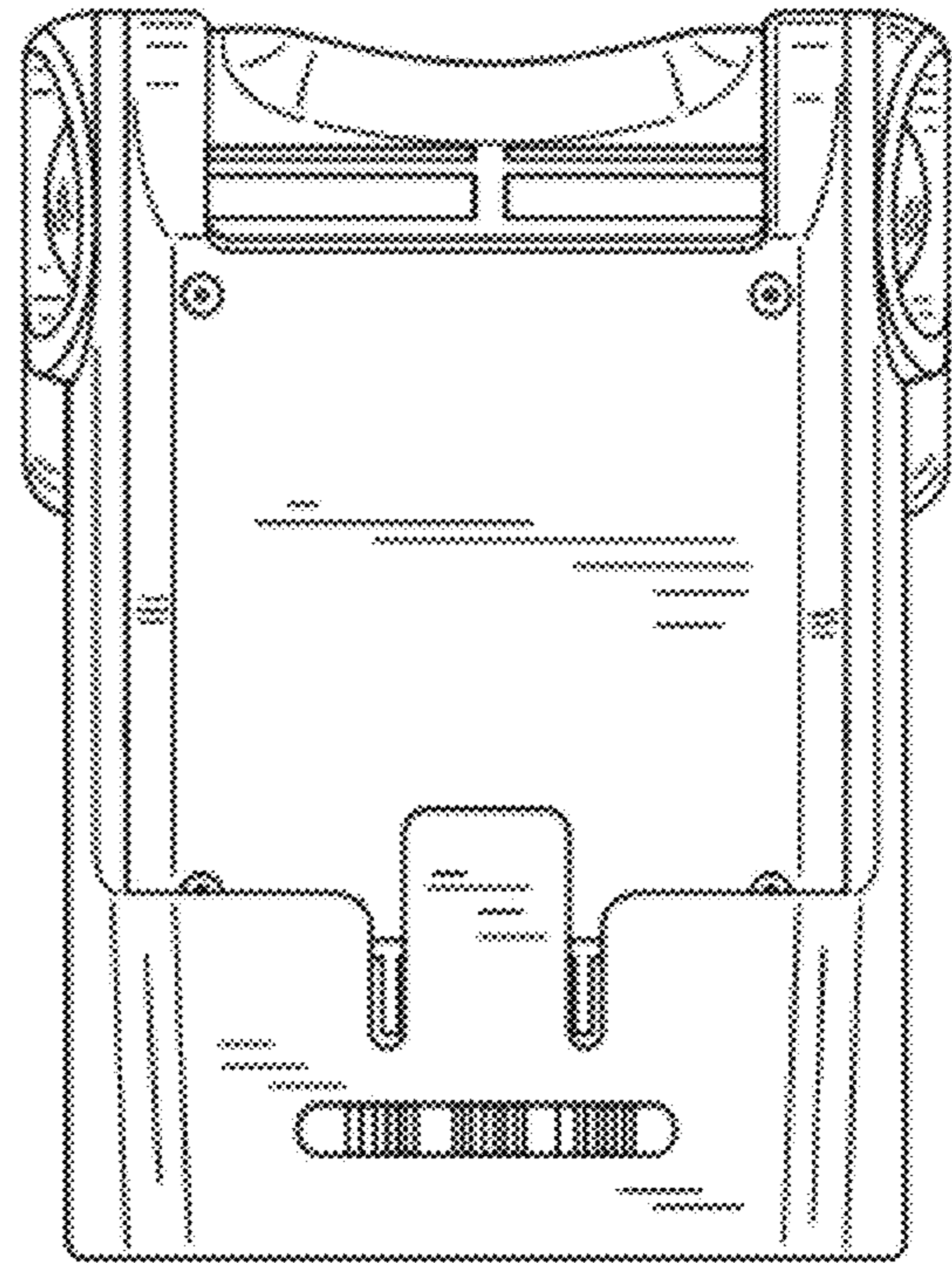
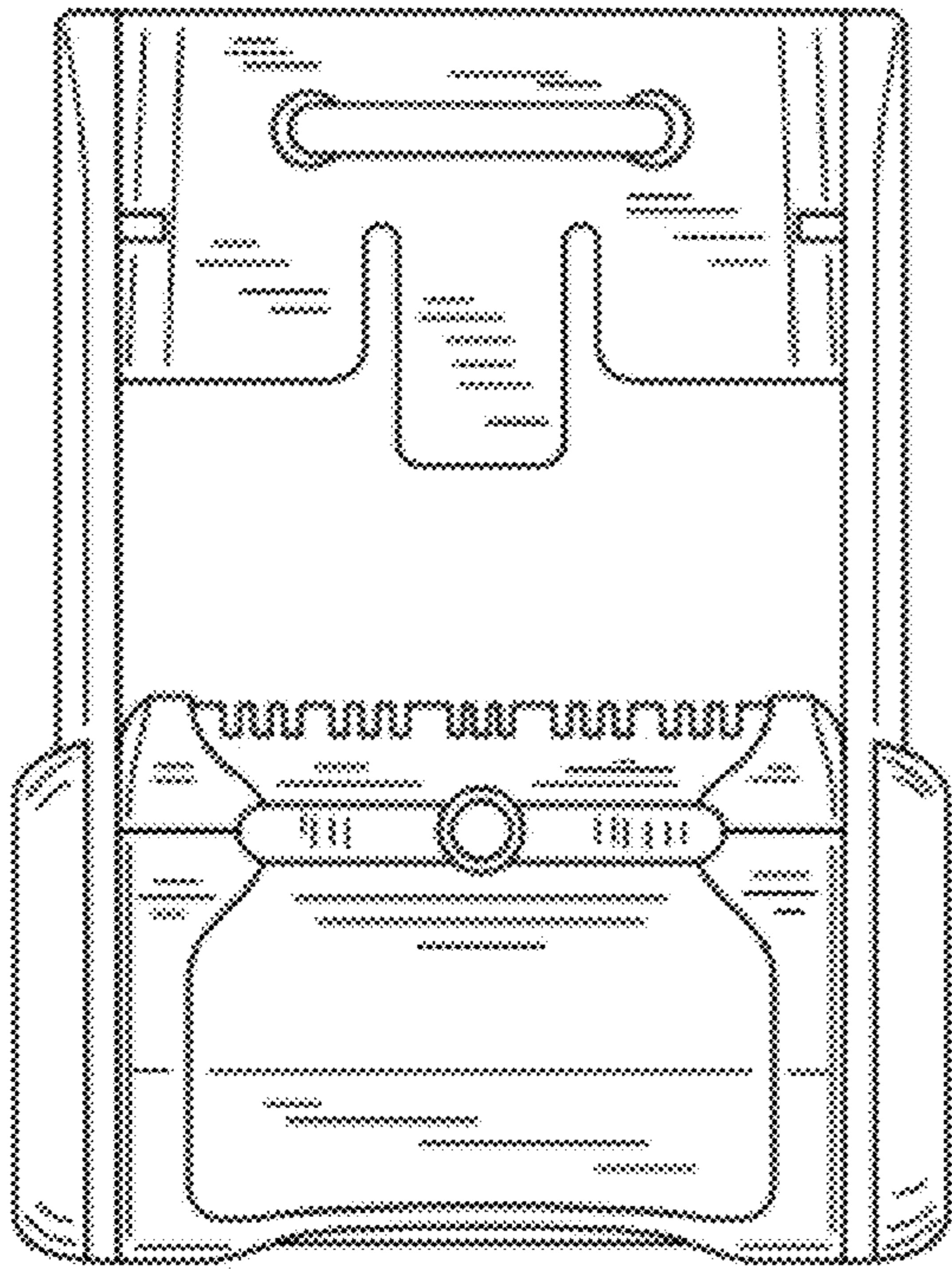


FIG.11

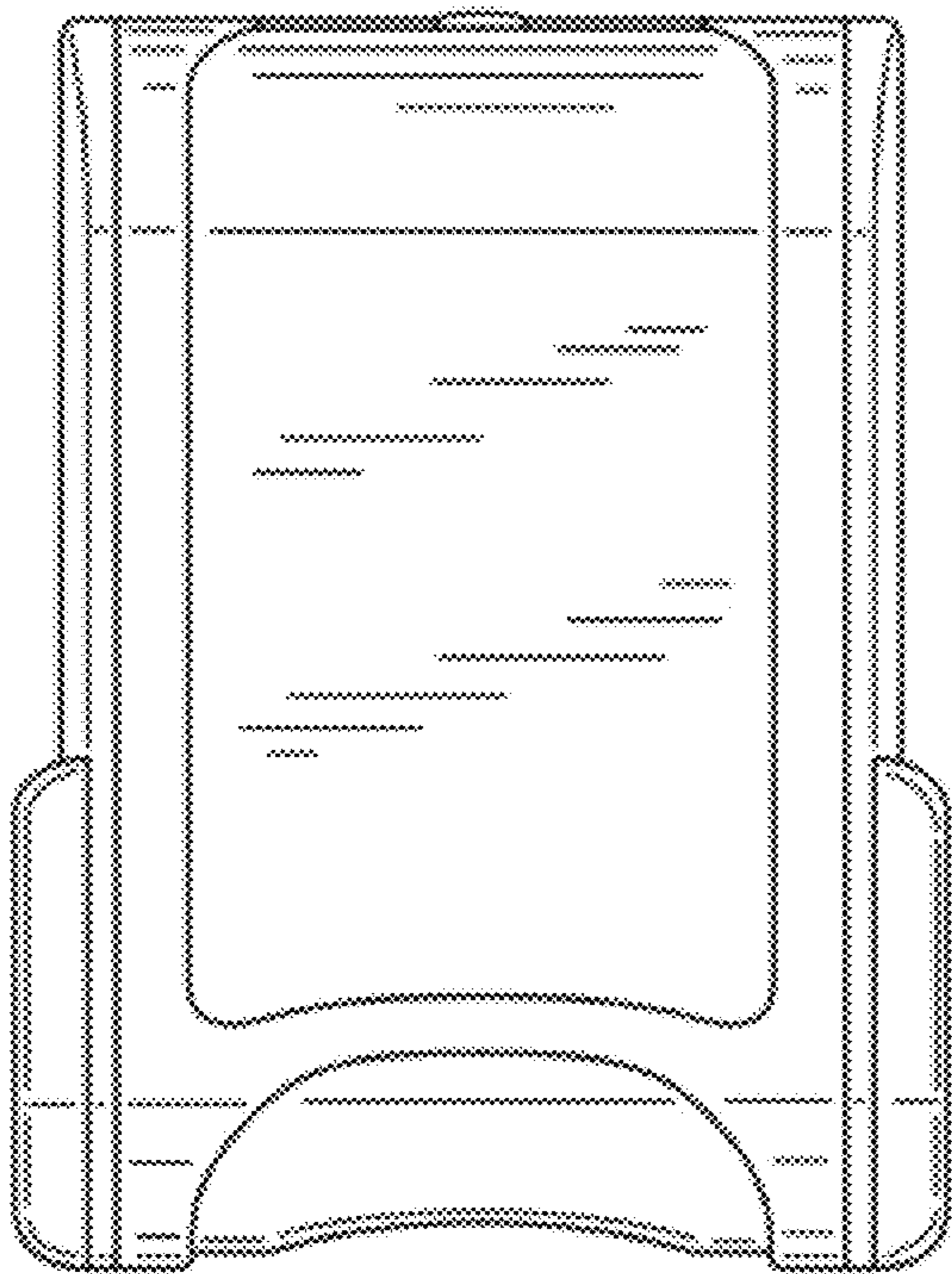


FIG.10

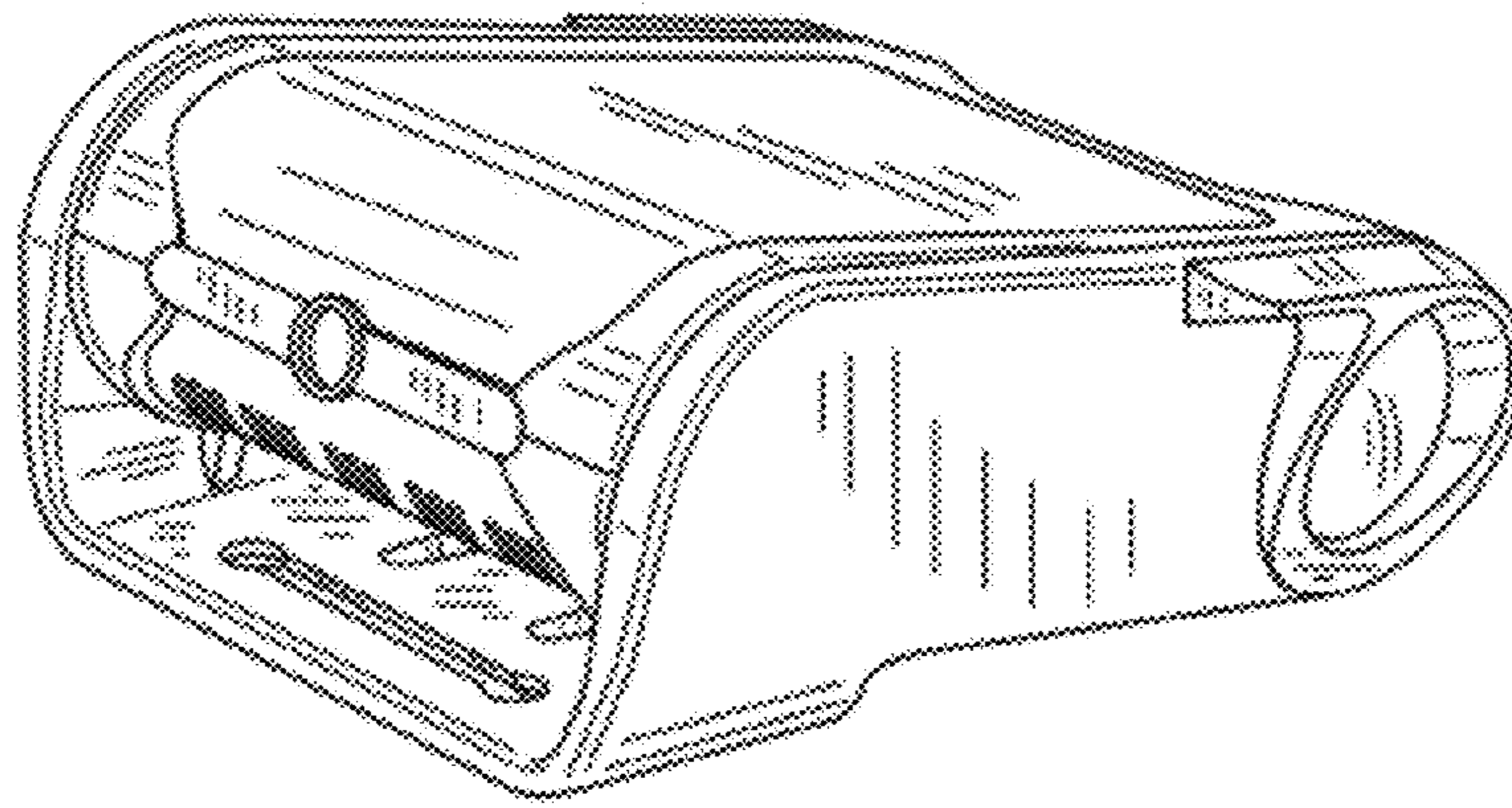


FIG. 12

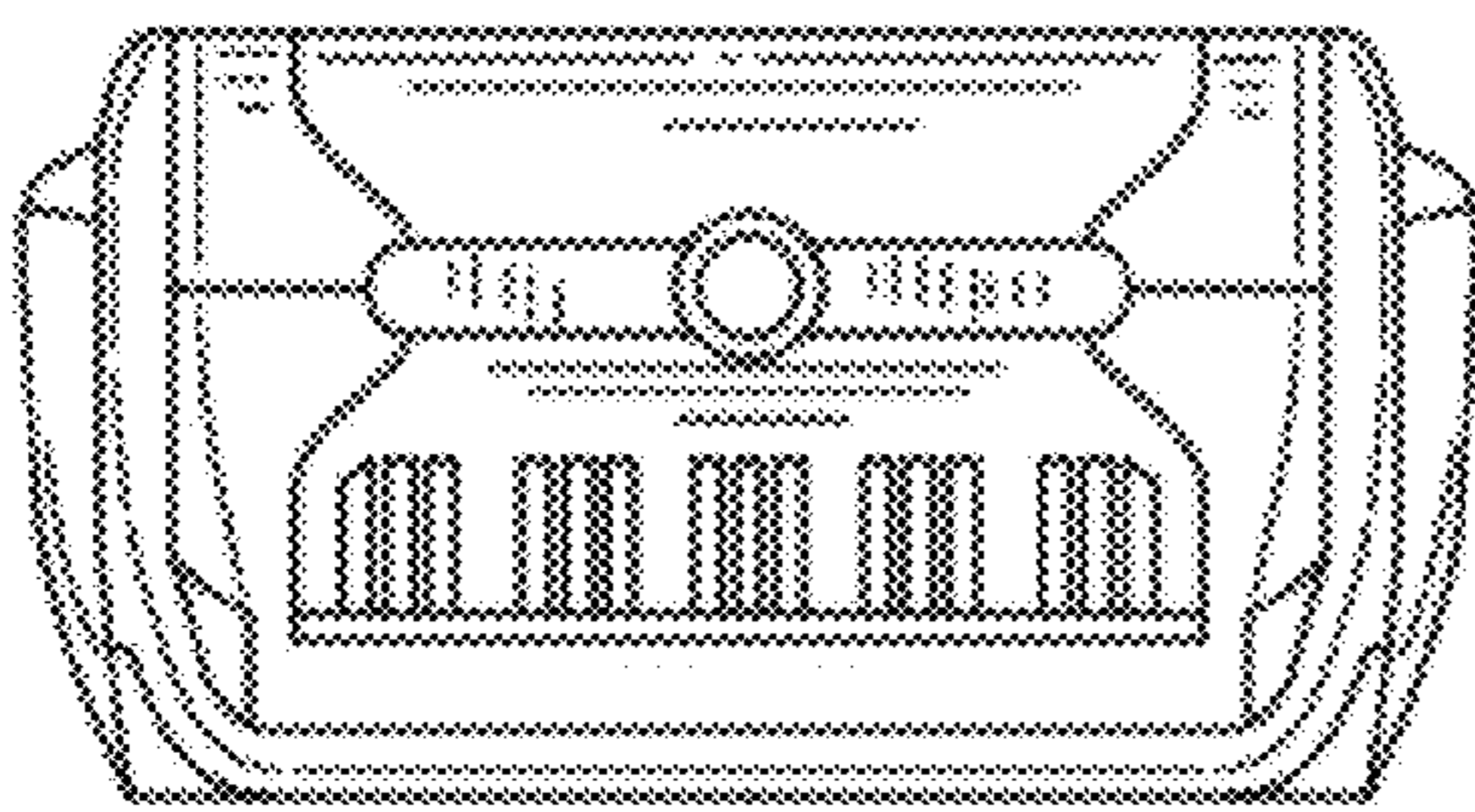


FIG. 13

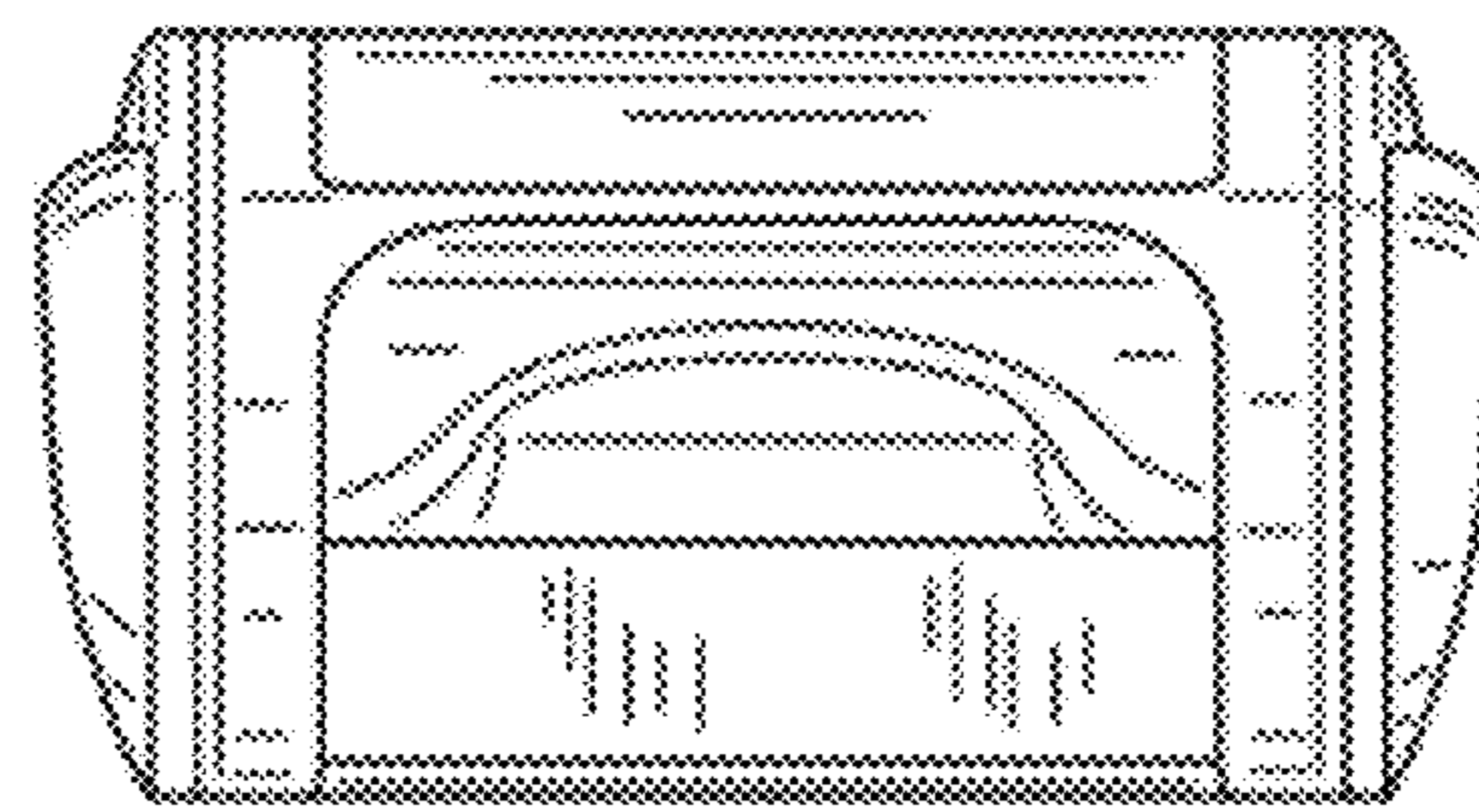


FIG. 14



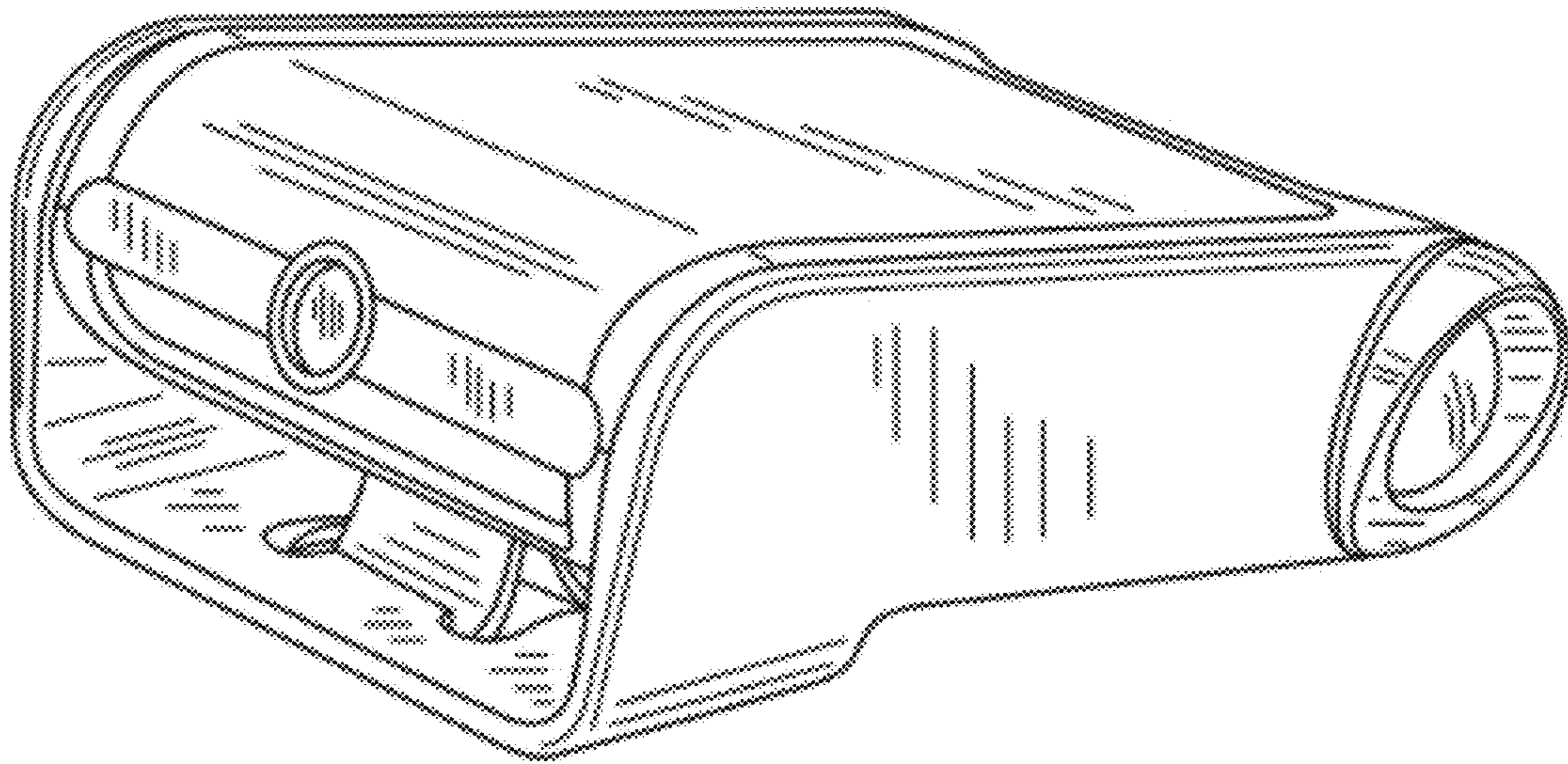


FIG. 15

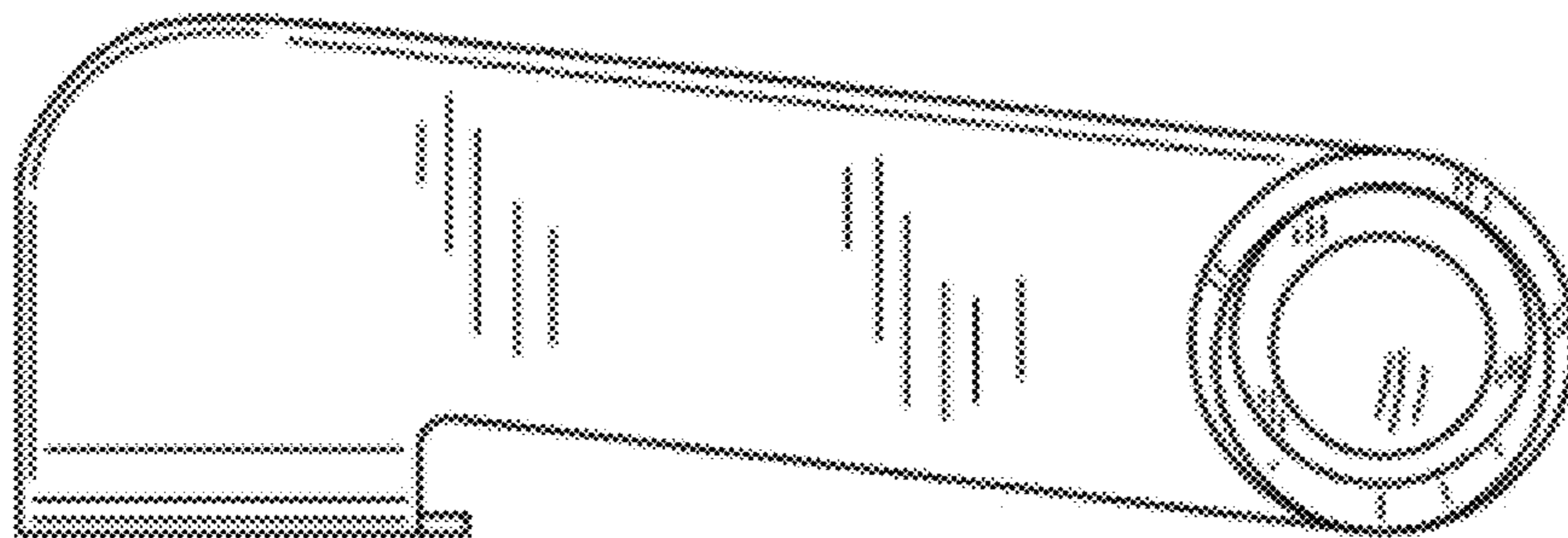


FIG. 16

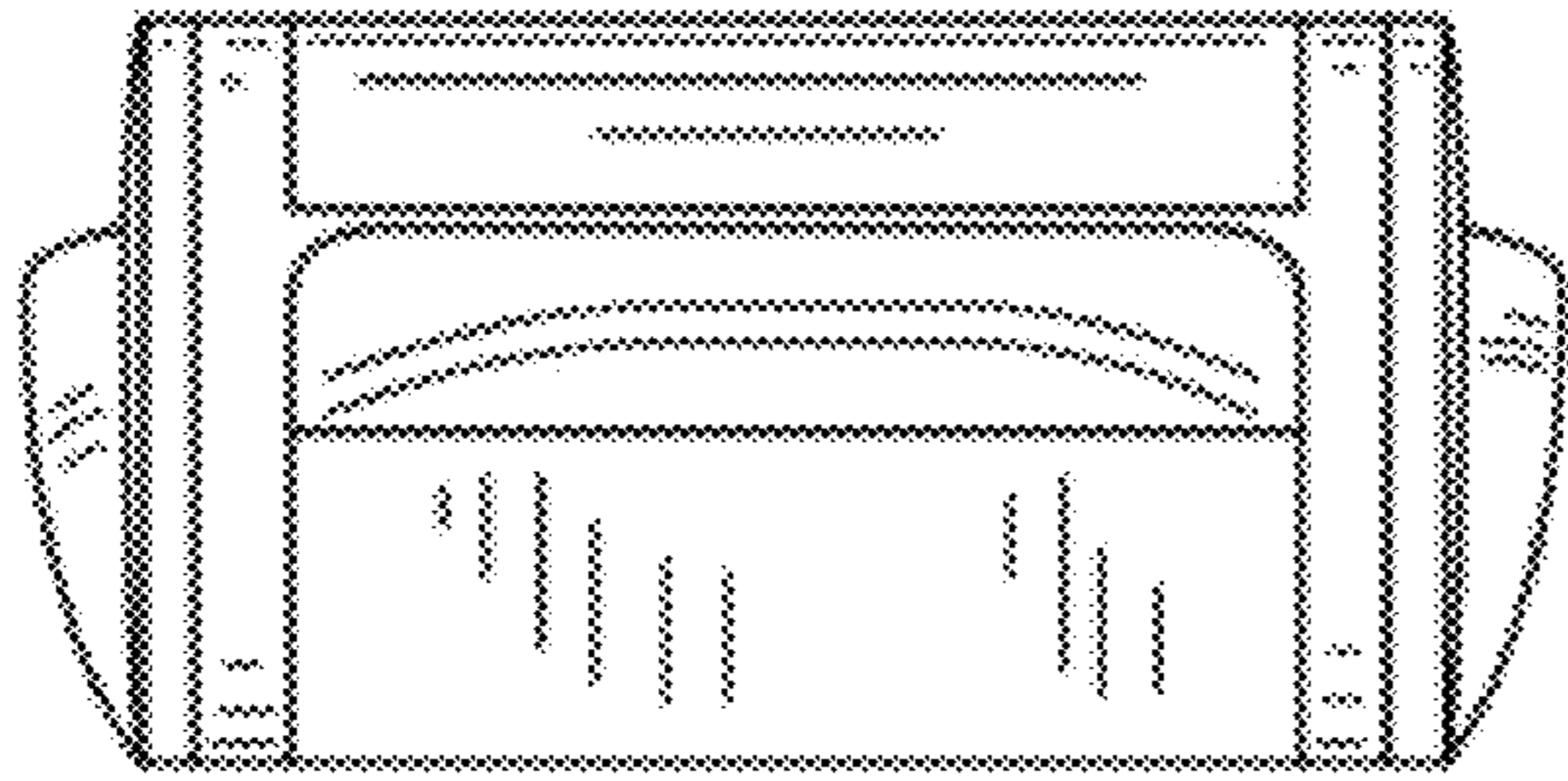


FIG. 17

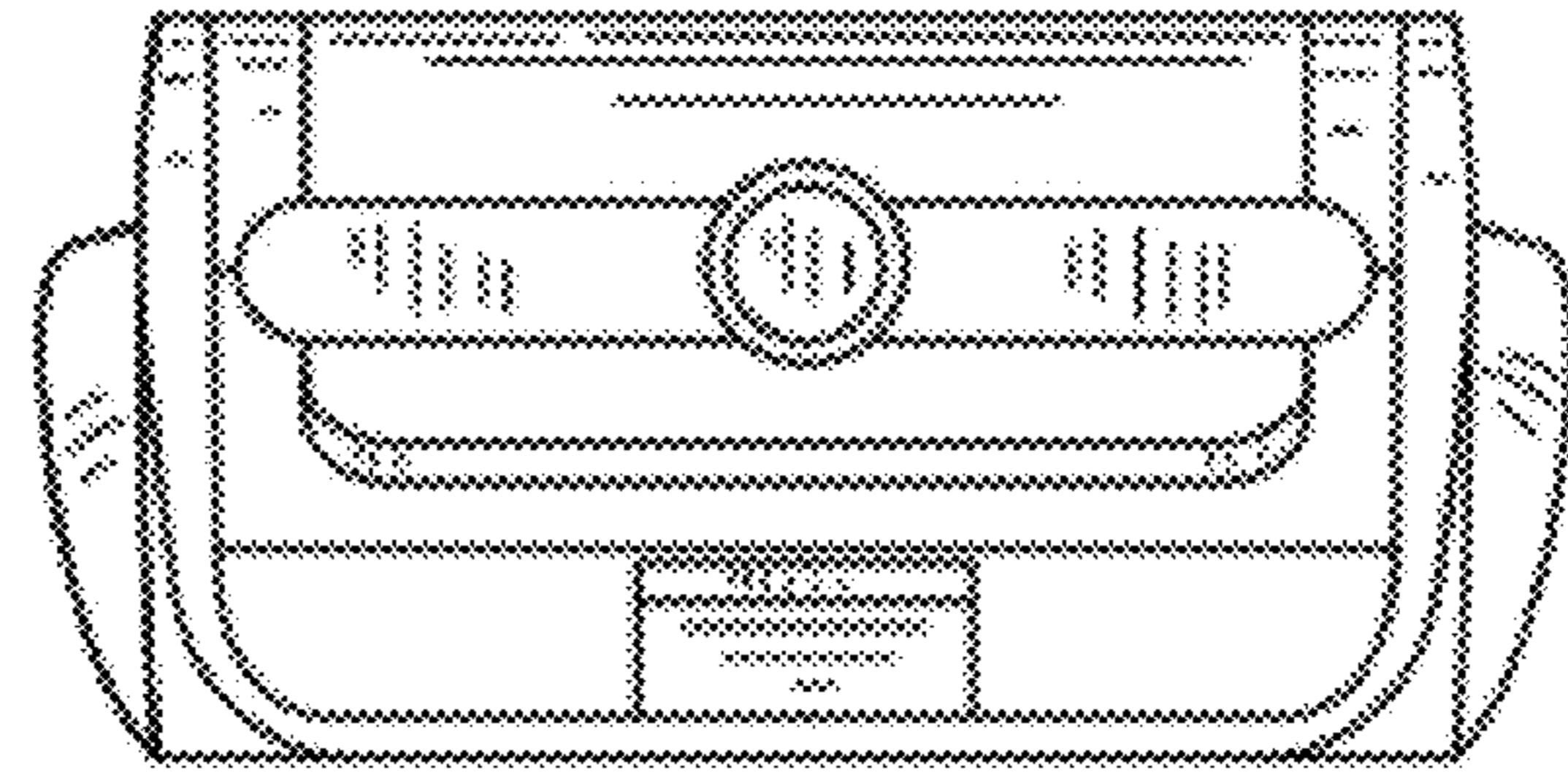


FIG. 19

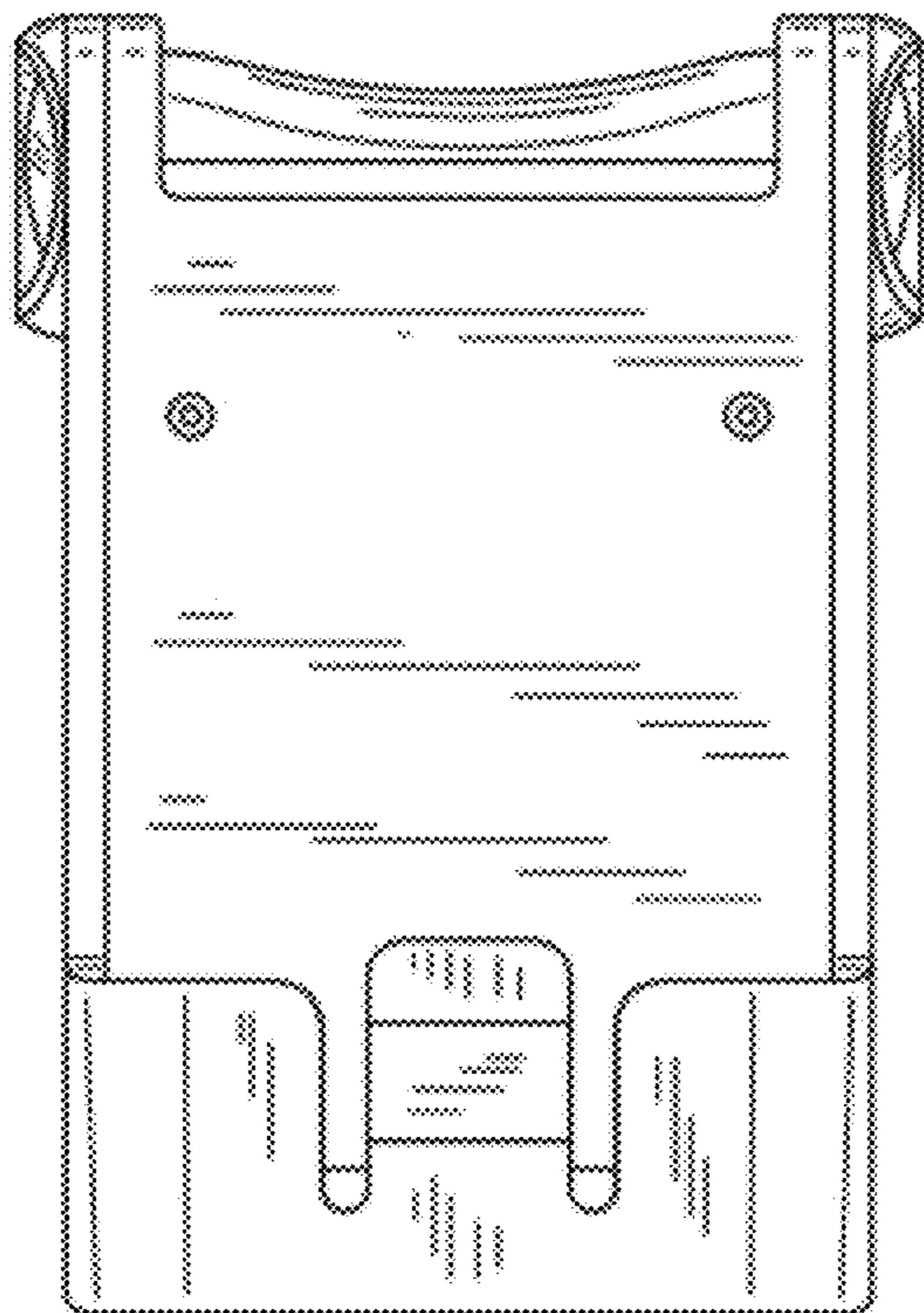


FIG. 18

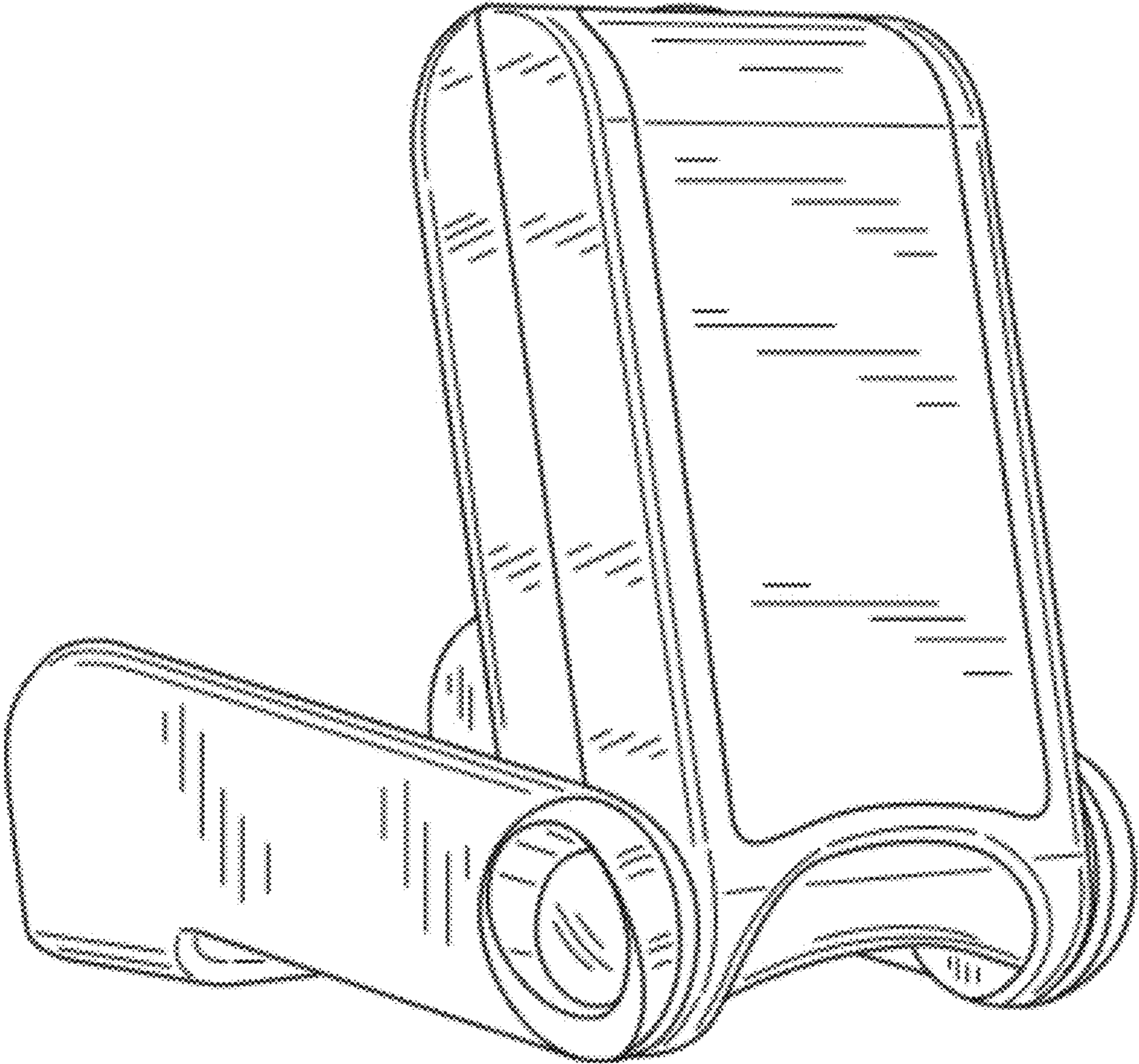


FIG.20

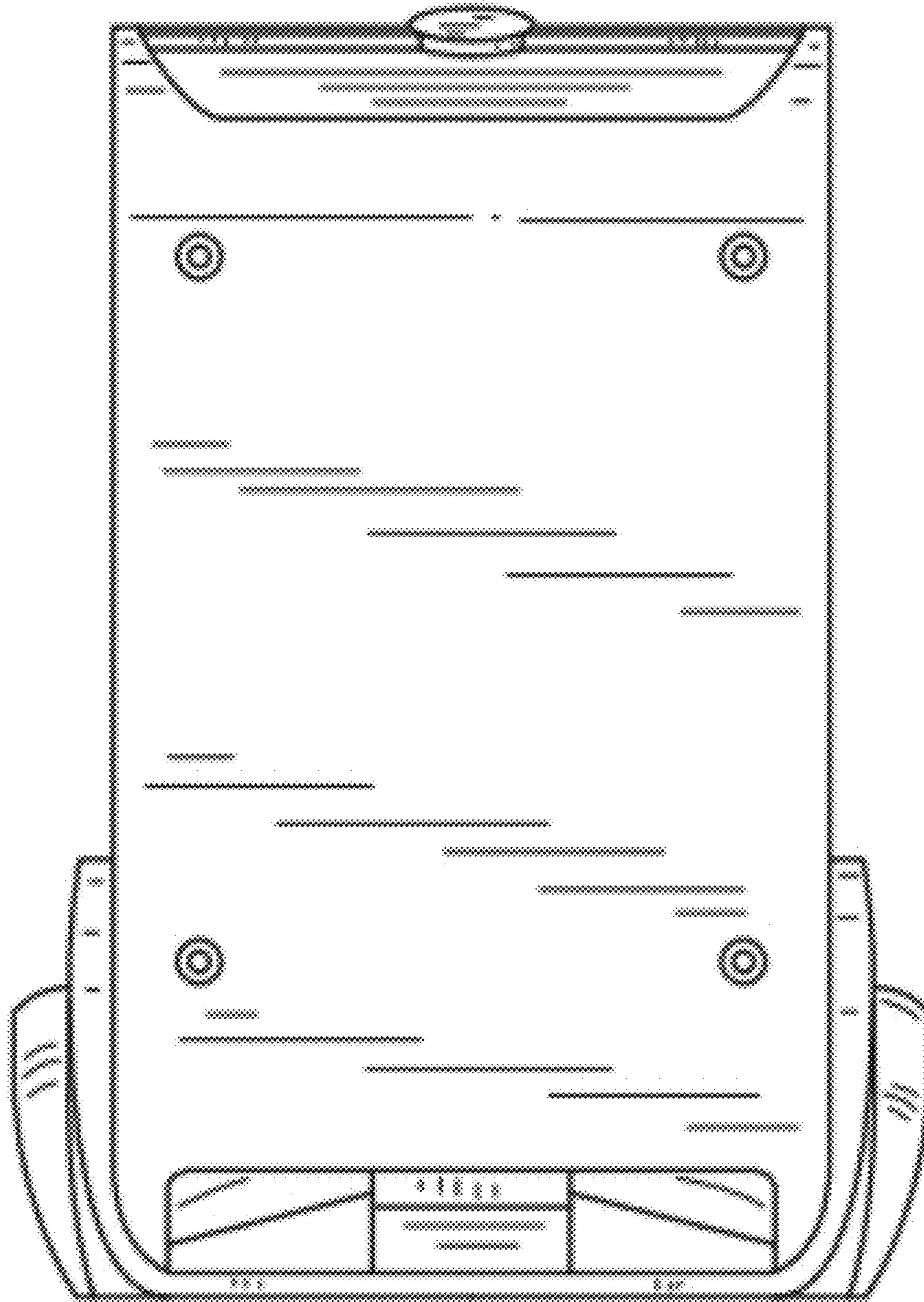


FIG. 21