



US00D660221S

(12) **United States Design Patent**
Barram

(10) **Patent No.:** **US D660,221 S**

(45) **Date of Patent:** **** May 22, 2012**

(54) **AUTOMOTIVE SERVICE PIT**

(76) Inventor: **Peter J. Barram**, Lake Oswego, OR
(US)

(**) Term: **14 Years**

(21) Appl. No.: **29/346,572**

(22) Filed: **Nov. 2, 2009**

(51) **LOC (9) Cl.** **12-16**

(52) **U.S. Cl.** **D12/400**

(58) **Field of Classification Search** D12/400,
D12/82-83, 197, 190, 406, 411; D25/52;
40/218

See application file for complete search history.

(56) **References Cited**

U.S. PATENT DOCUMENTS

| | | | | |
|-----------|------|---------|-----------------|----------|
| 1,654,073 | A | 12/1927 | Fagan | |
| 4,226,062 | A | 10/1980 | Doane | |
| 4,352,322 | A * | 10/1982 | Brauer | 454/345 |
| 4,789,047 | A | 12/1988 | Knobloch | |
| 5,331,782 | A * | 7/1994 | Wohlgemuth | 52/169.7 |
| 5,701,706 | A | 12/1997 | Kreysler et al. | |
| 6,966,984 | B1 * | 11/2005 | Solomon | 210/154 |
| D545,263 | S * | 6/2007 | Ziaylek et al. | D12/400 |

OTHER PUBLICATIONS

http://www.modulube.com/DSC_0037.jpg, 3pp, commercially available before Nov. 1, 2008.

<http://www.atlantiautomotiveequipment.com/article.php/39/52/index.html>, Oct. 26, 2009.

* cited by examiner

Primary Examiner — Caron D Veynar

Assistant Examiner — Katrina A Betton

(74) *Attorney, Agent, or Firm* — Stoel Rives LLP

(57) **CLAIM**

An automotive service pit, as shown and described.

DESCRIPTION

FIG. 1 is a front, top, right perspective view of an automotive service pit showing the new design;

FIG. 2 is a right side elevation view thereof, the left side elevation view being a mirror image duplicate;

FIG. 3 is a front side elevation view thereof;

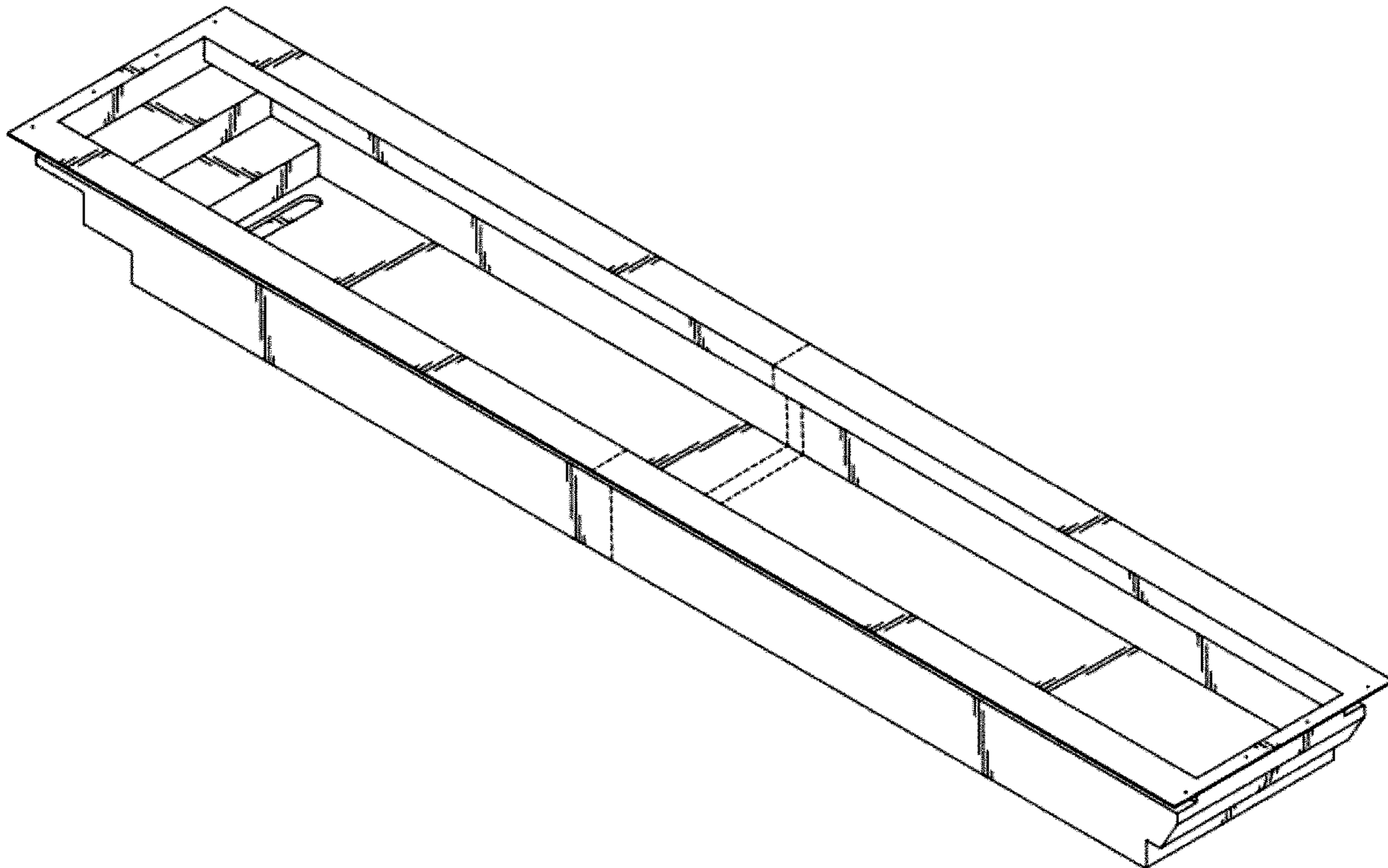
FIG. 4 is a rear side elevation view thereof;

FIG. 5 is a top plan view thereof; and,

FIG. 6 is a bottom plan view thereof.

The broken lines in FIGS. 1, 2, 5 and 6 are for illustrative purposes only and form no part of the claimed design.

1 Claim, 3 Drawing Sheets



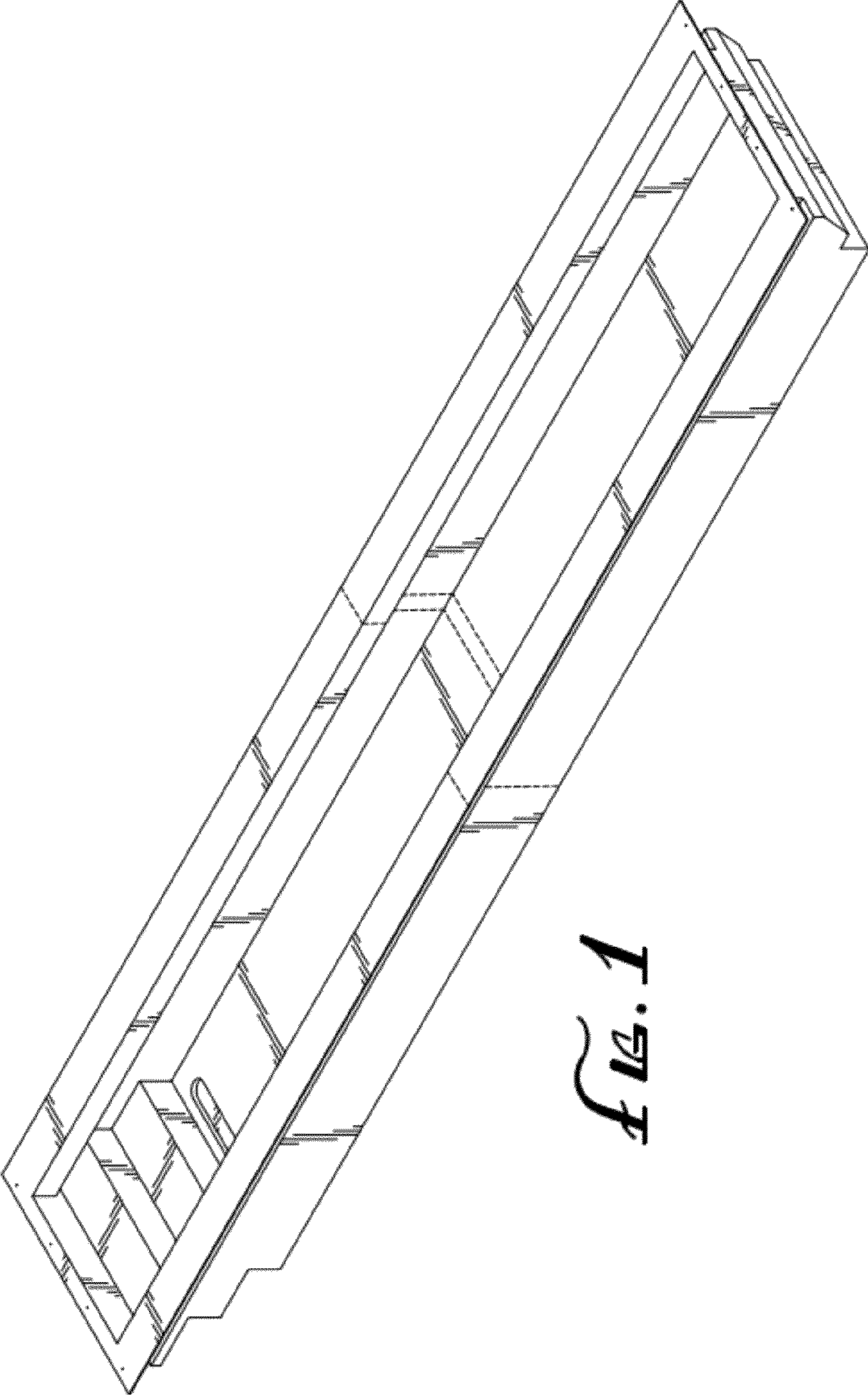


FIG. 1

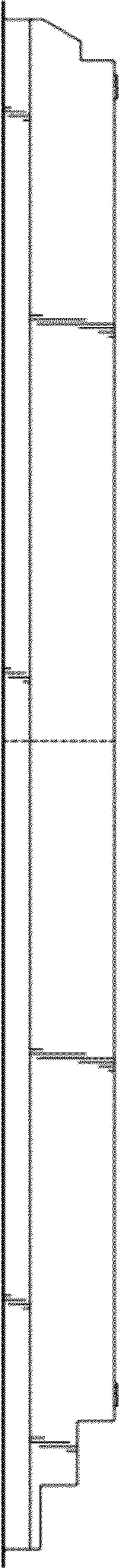


Fig. 2

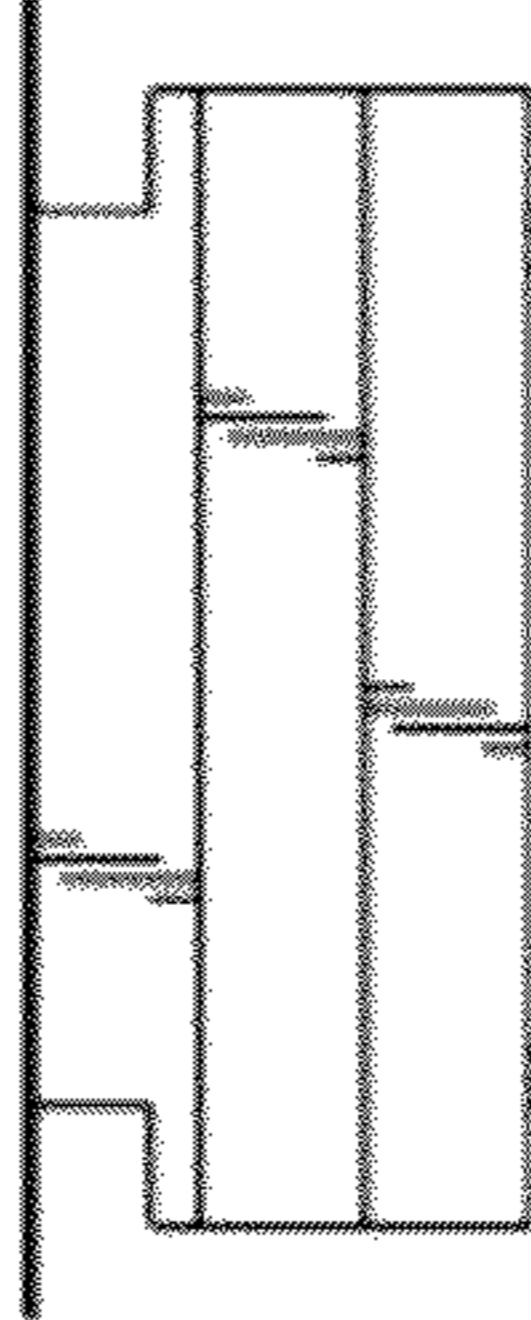


Fig. 4

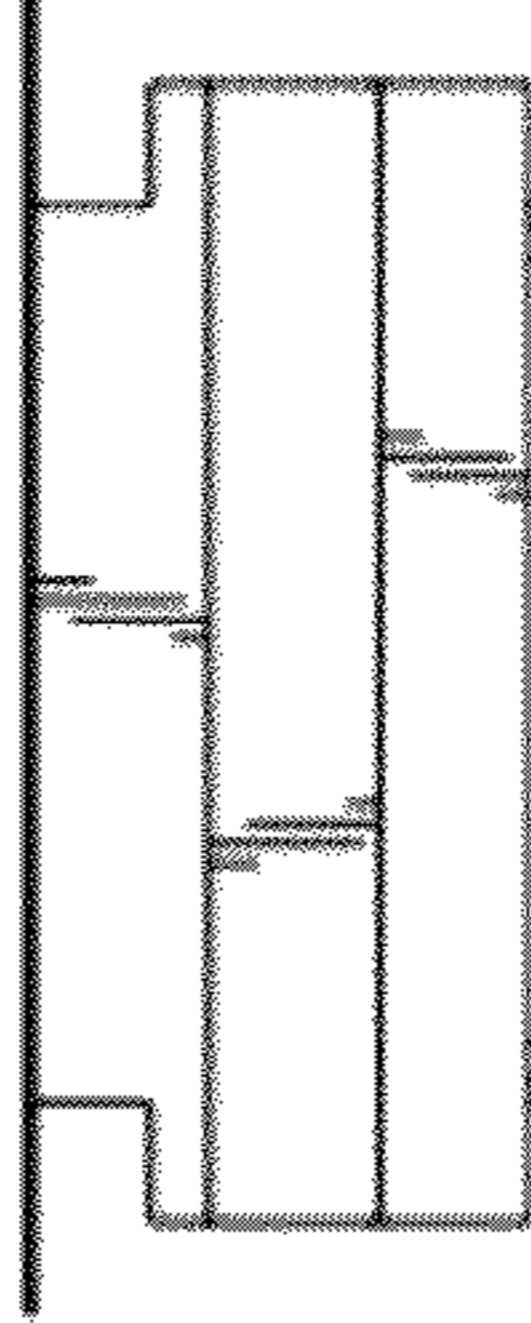


Fig. 3

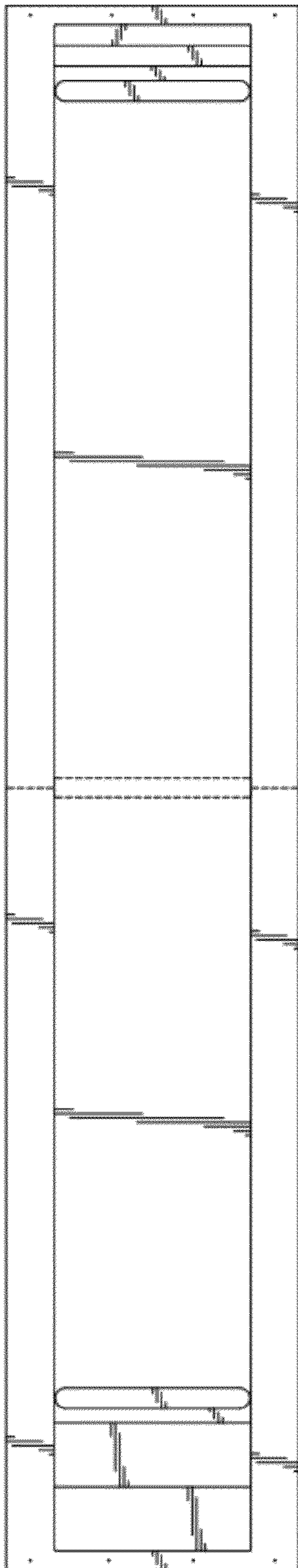


Fig. 5

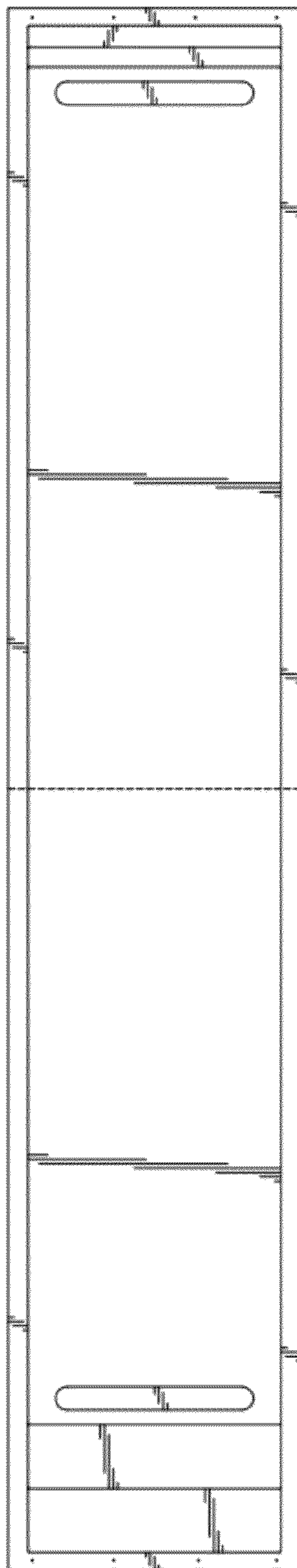


Fig. 6