



US00D660220S

(12) **United States Design Patent**  
**Chan**

(10) **Patent No.:** **US D660,220 S**

(45) **Date of Patent:** **\*\* May 22, 2012**

(54) **VEHICLE WHEEL**

(75) Inventor: **Albert Tam-san Chan**, Kowloon (HK)

(73) Assignee: **MCW Limited**, Hong Kong (HK)

(\*\*) Term: **14 Years**

(21) Appl. No.: **29/394,134**

(22) Filed: **Jun. 13, 2011**

(30) **Foreign Application Priority Data**

Dec. 14, 2010 (CN) ..... 2010 3 0703937

(51) **LOC (9) Cl.** ..... **12-16**

(52) **U.S. Cl.** ..... **D12/211**

(58) **Field of Classification Search** ..... D12/204-213;  
301/37.101, 64.101, 65, 64.201

See application file for complete search history.

(56) **References Cited**

**U.S. PATENT DOCUMENTS**

D388,047 S *	12/1997	Pfeiffer et al.	.....	D12/211
D450,030 S *	11/2001	Pfeiffer	.....	D12/211
D456,332 S *	4/2002	Vian	.....	D12/211
D476,284 S *	6/2003	Pfeiffer et al.	.....	D12/211
D482,996 S *	12/2003	Sulahian	.....	D12/211
D484,446 S *	12/2003	Pfeiffer et al.	.....	D12/211
D501,175 S *	1/2005	Kushartanto	.....	D12/211
D507,775 S *	7/2005	Pfeiffer	.....	D12/211
D514,052 S *	1/2006	Walbey, Jr.	.....	D12/211

D543,922 S *	6/2007	Young	.....	D12/209
D548,167 S *	8/2007	Groom	.....	D12/211
D573,082 S *	7/2008	Young	.....	D12/211
D577,649 S *	9/2008	Ettensberger	.....	D12/211
D582,830 S *	12/2008	Musser	.....	D12/211
D587,179 S *	2/2009	Pfeiffer	.....	D12/209
D613,229 S *	4/2010	Antoniadis et al.	.....	D12/211
D625,242 S *	10/2010	Zhao	.....	D12/211

\* cited by examiner

*Primary Examiner* — Stacia Cadmus

(74) *Attorney, Agent, or Firm* — Law Office of Sergei Orel, LLC

(57) **CLAIM**

I claim the ornamental design for a vehicle wheel, as shown and described.

**DESCRIPTION**

FIG. 1 is a top view of the vehicle wheel showing my new design;

FIG. 2 is a front view thereof;

FIG. 3 is a rear view thereof;

FIG. 4 is a bottom view thereof;

FIG. 5 is a side view thereof;

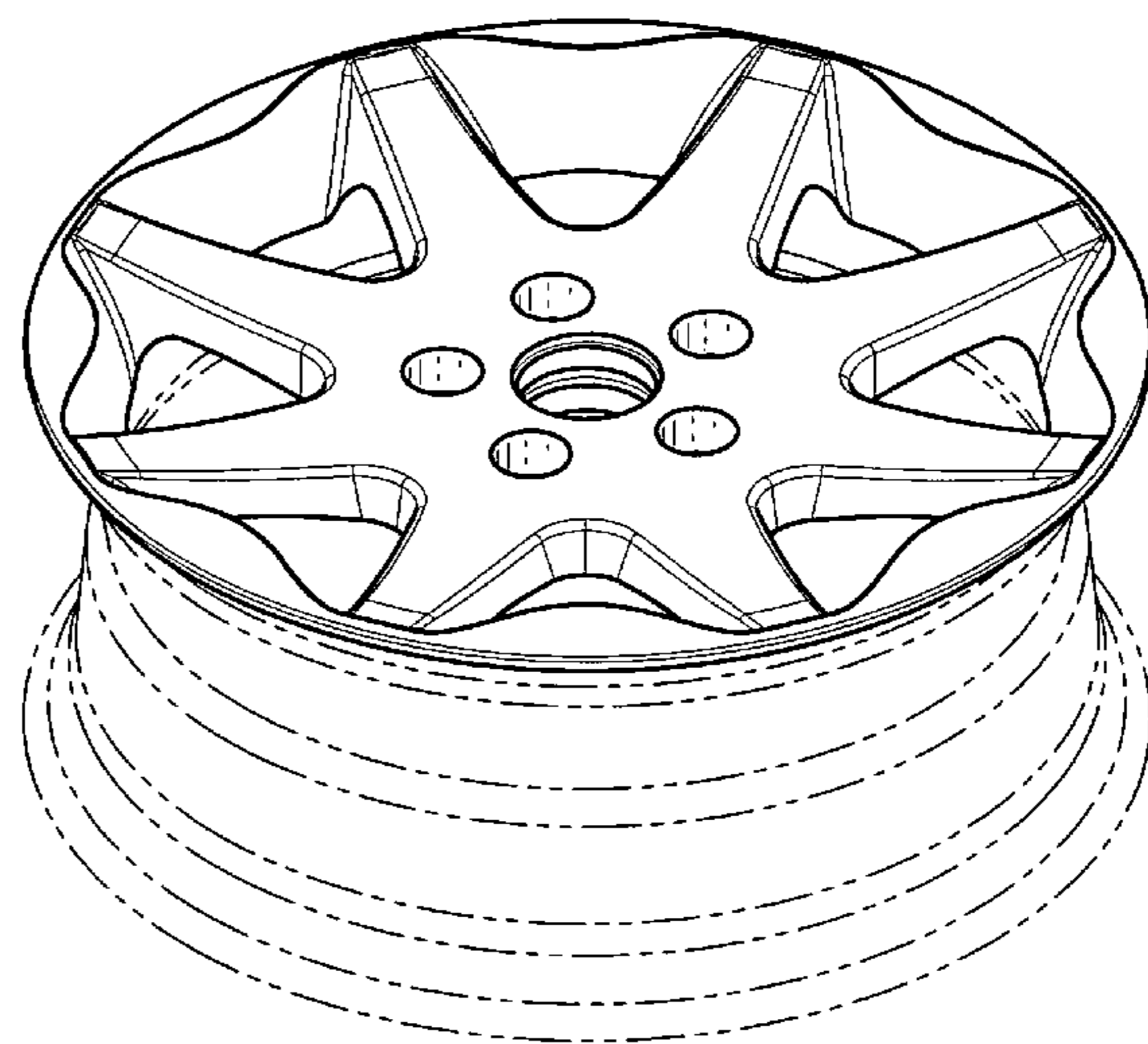
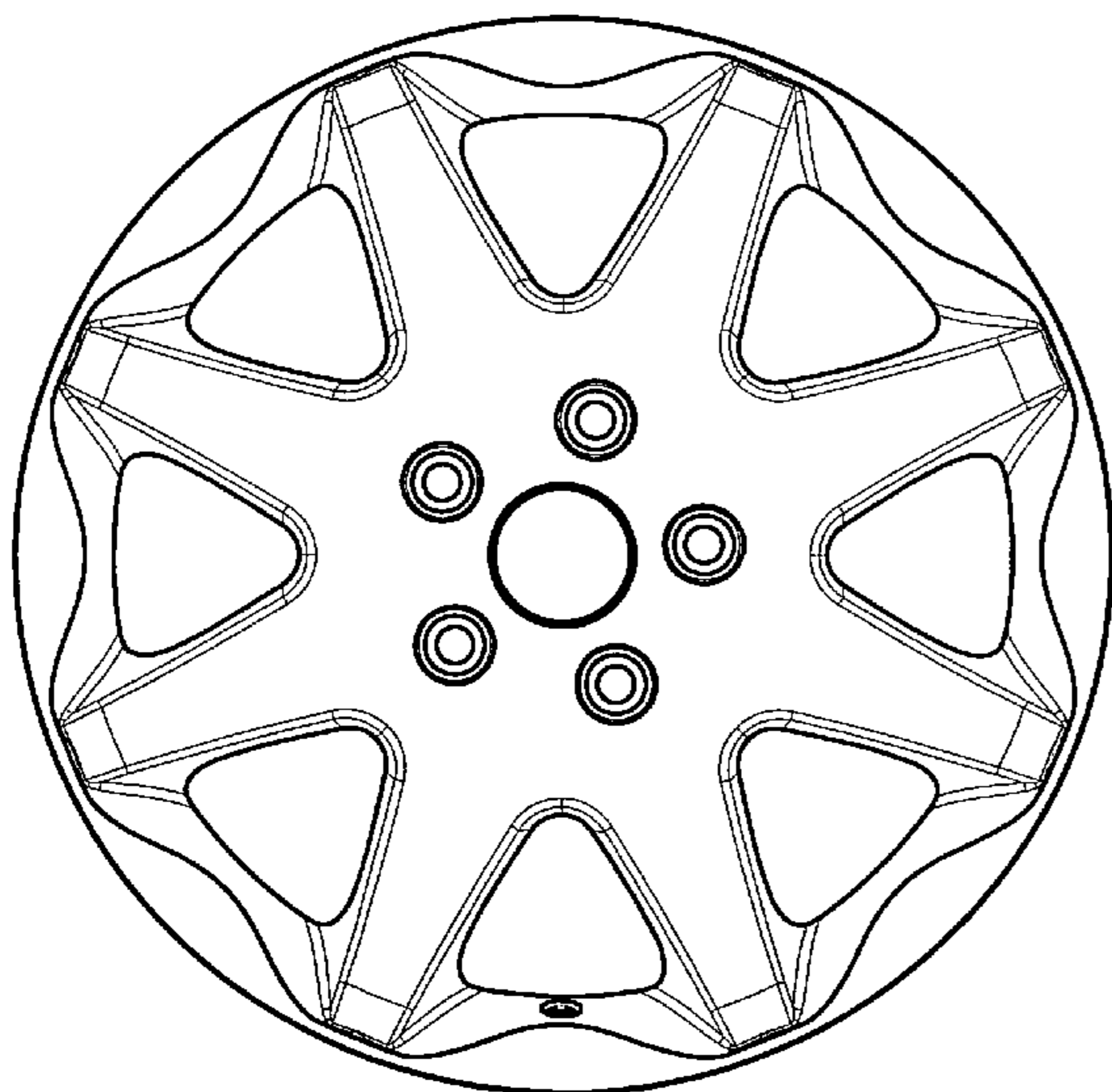
FIG. 6 is an opposite side view thereof;

FIG. 7 is a front perspective view thereof; and,

FIG. 8 is a rear perspective view thereof.

The broken line showing of the rim is included for the purpose of illustrating environment and forms no part of the claimed design.

**1 Claim, 5 Drawing Sheets**



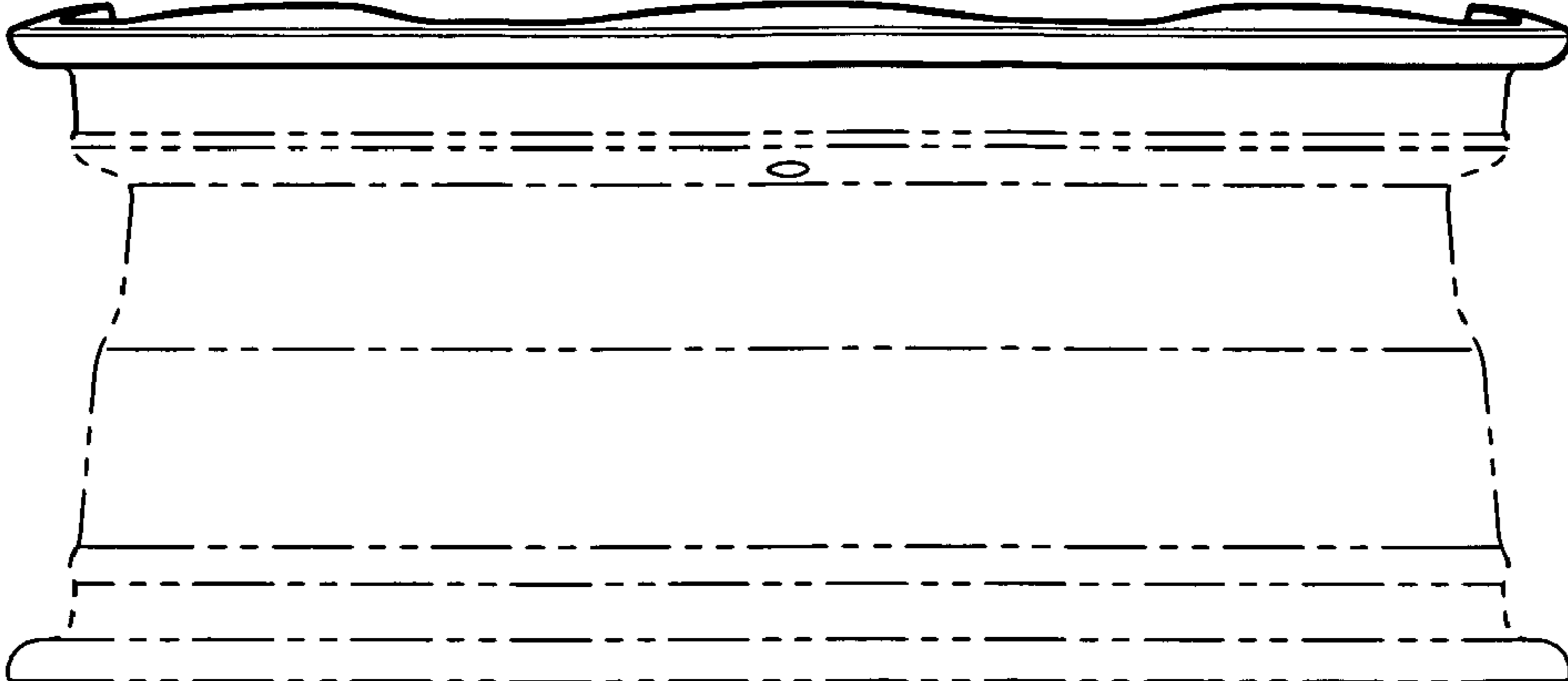


Fig.1

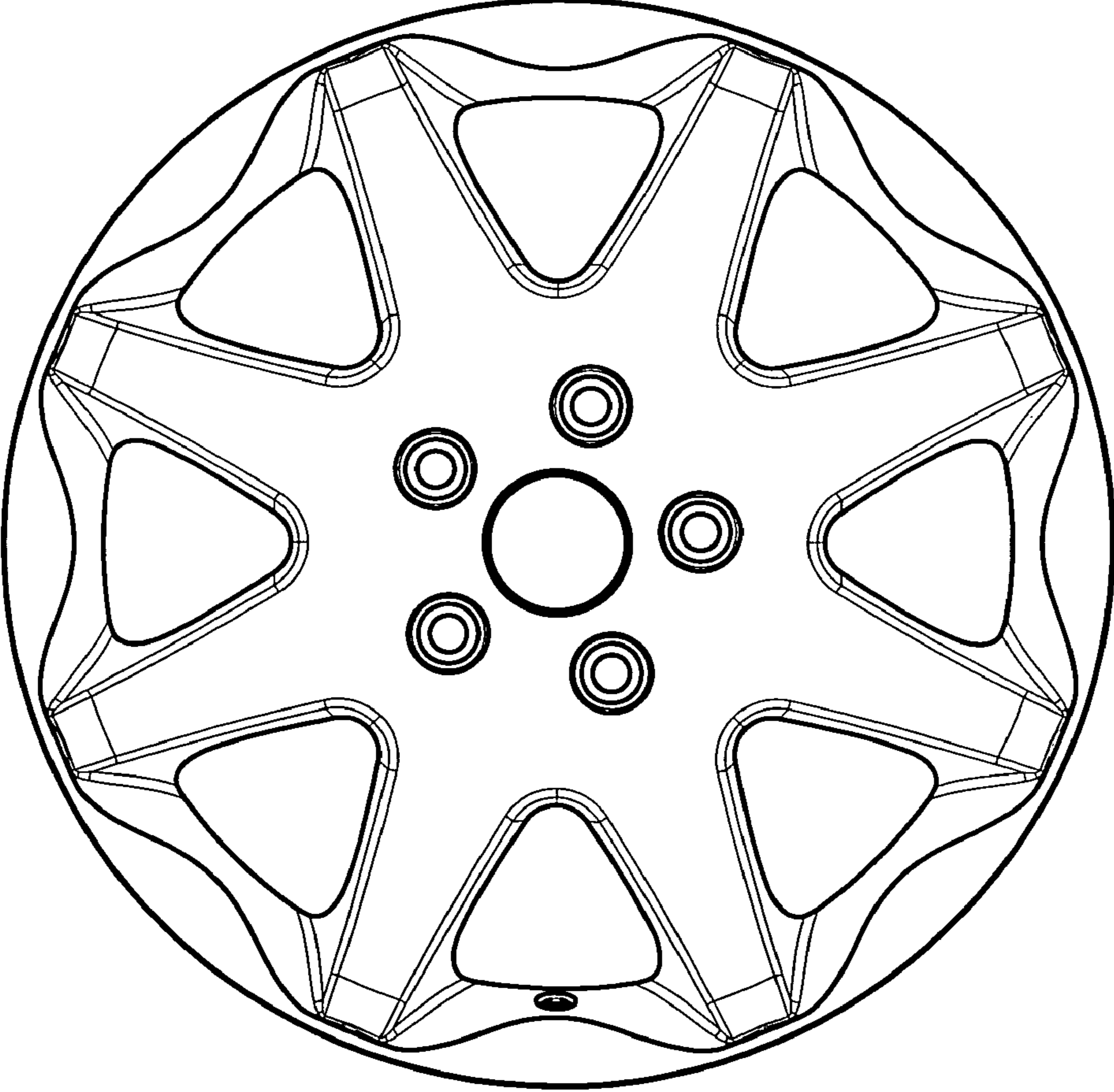


Fig.2

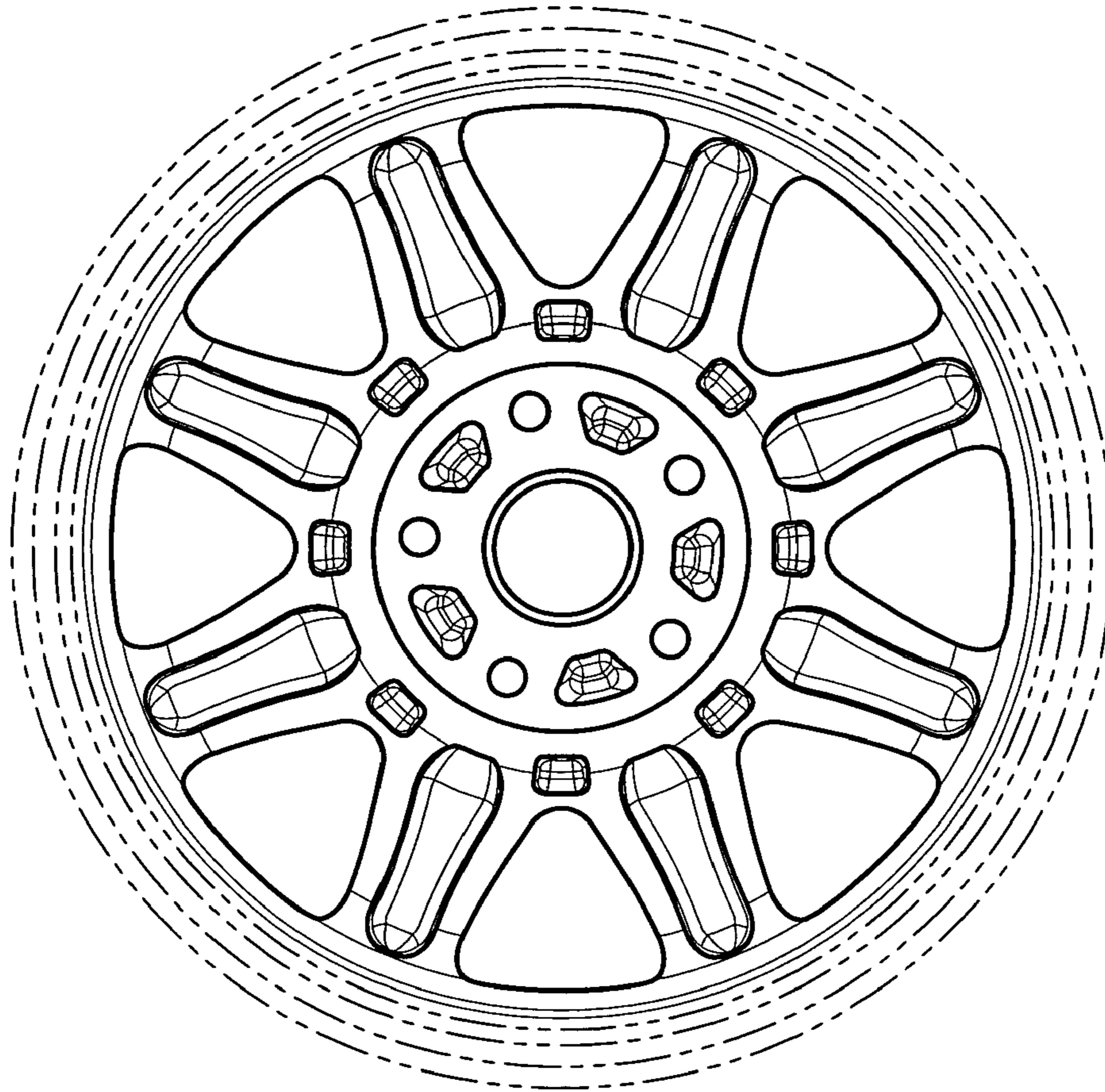


Fig.3

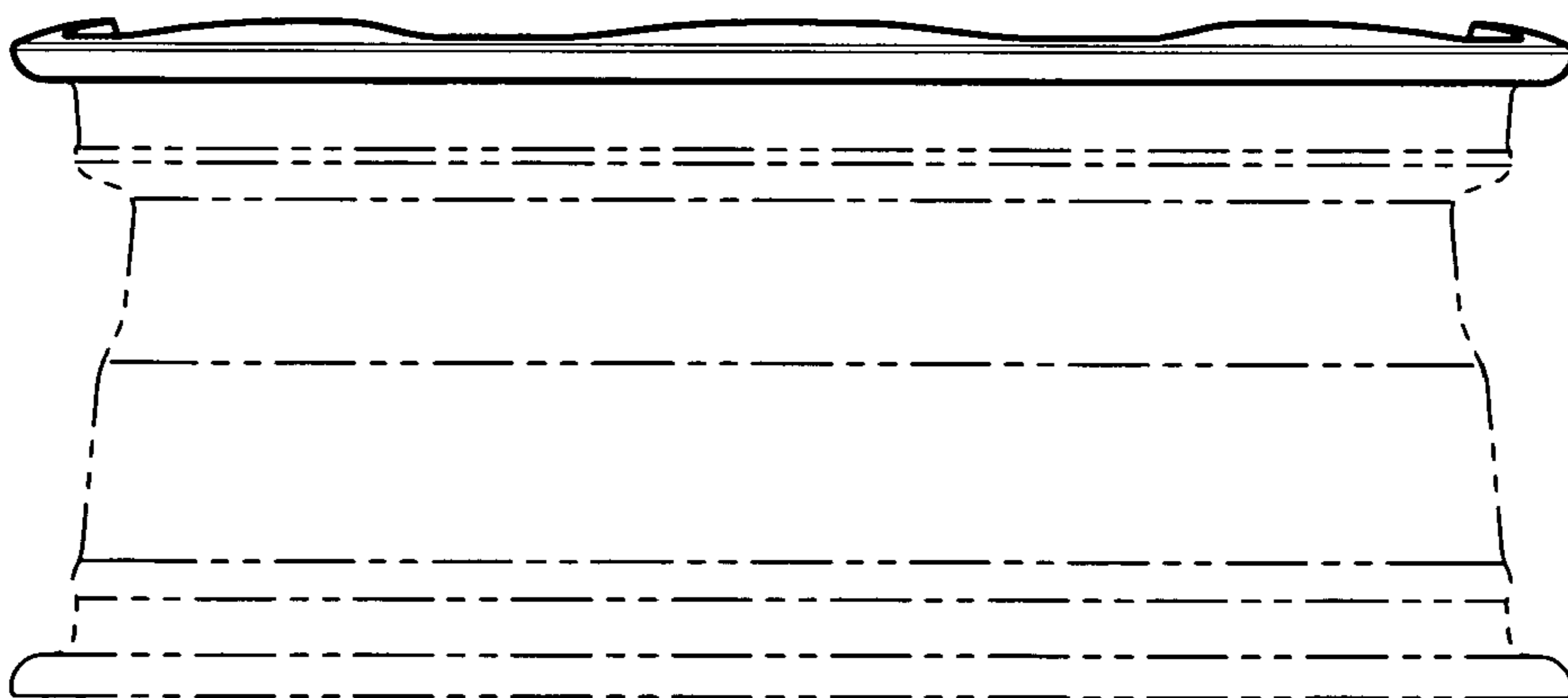


Fig.4

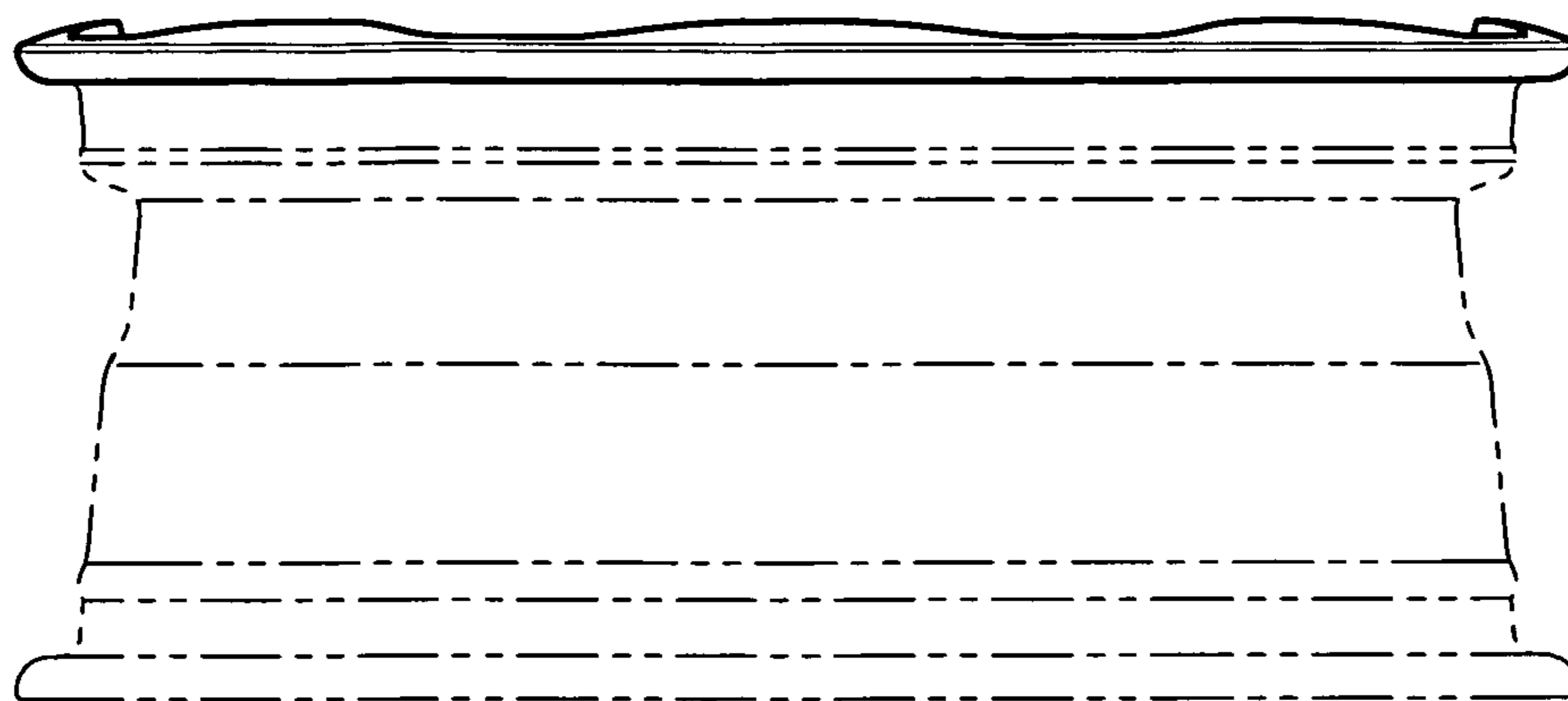


Fig.5

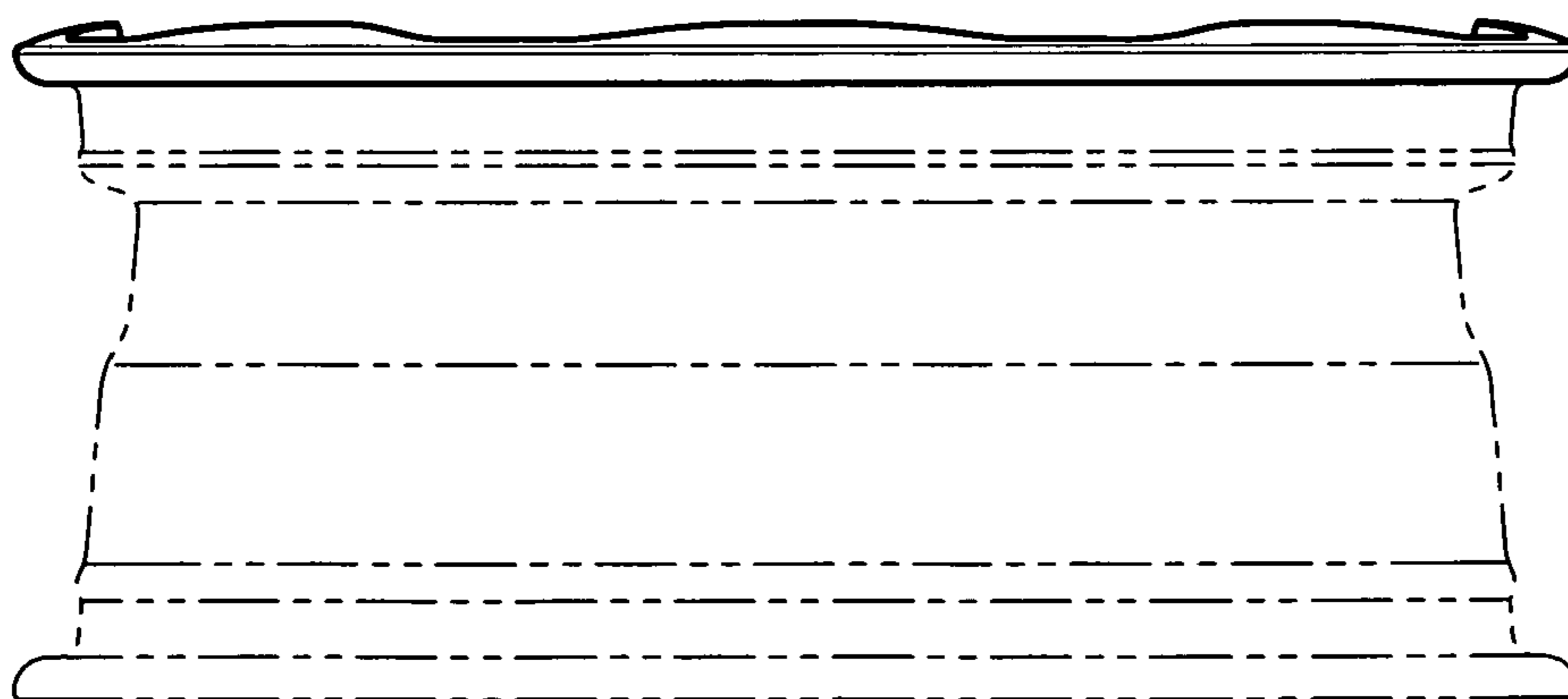


Fig.6

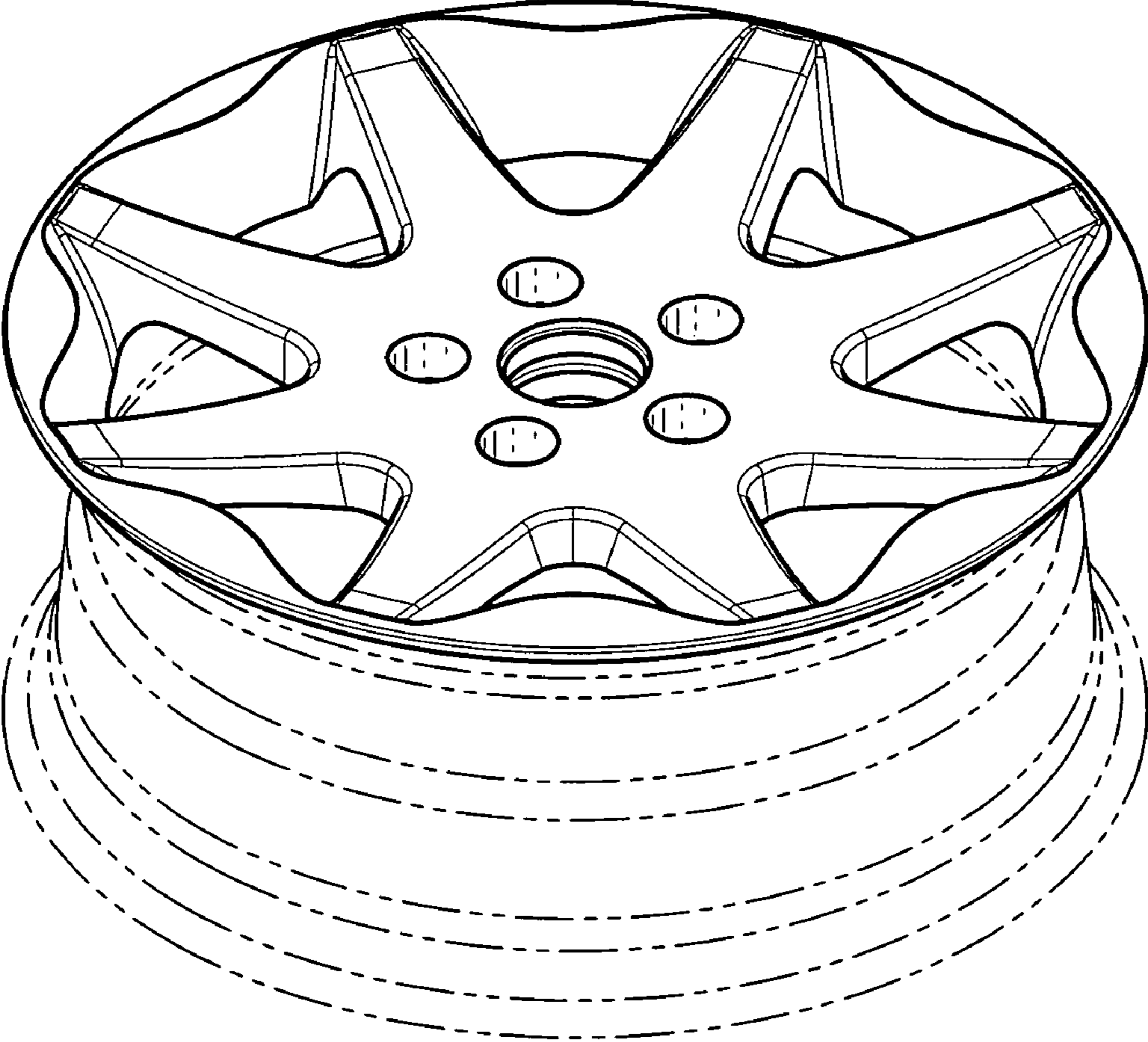


Fig.7

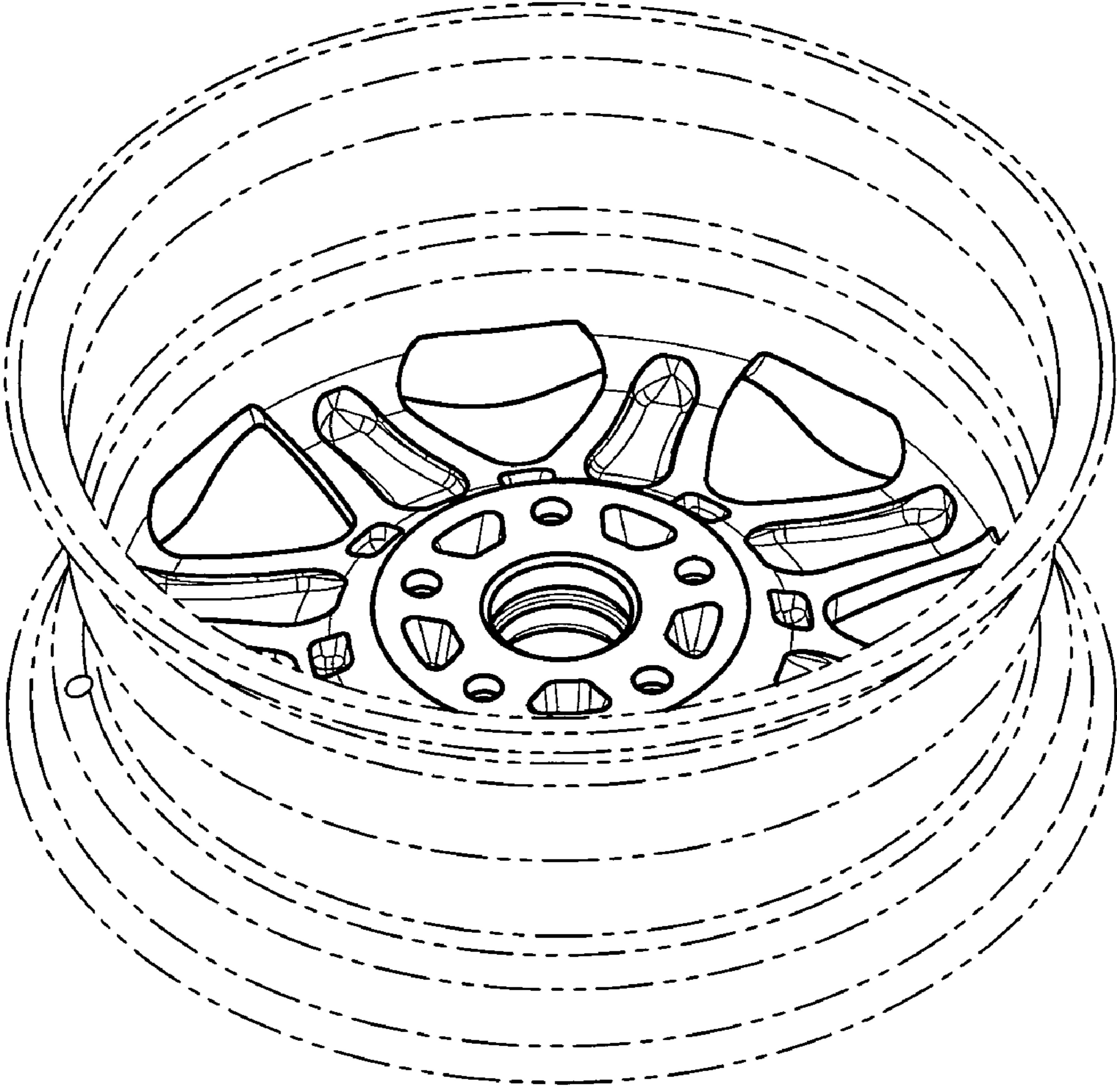


Fig.8