

US00D660219S

(12) **United States Design Patent**  
**Lee et al.**

(10) **Patent No.:** **US D660,219 S**  
(45) **Date of Patent:** **\*\* May 22, 2012**

- (54) **VEHICLE WHEEL FRONT FACE**
- (75) Inventors: **Bernard Lee**, Aliso Viejo, CA (US);  
**Andrew Albert D’Hooge**, Redondo Beach, CA (US)
- (73) Assignee: **Tesla Motors, Inc.**, Palo Alto, CA (US)
- (\*\*) Term: **14 Years**
- (21) Appl. No.: **29/412,788**
- (22) Filed: **Feb. 7, 2012**
- (51) **LOC (9) Cl.** ..... **12-16**
- (52) **U.S. Cl.** ..... **D12/209**
- (58) **Field of Classification Search** ..... D12/204–213;  
301/37.101, 64.101, 65, 64.201  
See application file for complete search history.

(56) **References Cited**

**U.S. PATENT DOCUMENTS**

D199,054 S	*	9/1964	Golata et al.	.....	D12/211
D203,040 S	*	11/1965	Mochel	.....	D12/211
D204,933 S	*	5/1966	Richter	.....	D12/211
D207,001 S	*	2/1967	Fenton	.....	D12/211
D207,951 S	*	6/1967	Hibbard	.....	D12/211

3,346,304 A	*	10/1967	Fenton	.....	D12/211
D216,527 S	*	2/1970	Parker	.....	D12/211
D216,687 S	*	3/1970	Reid	.....	D12/211
D218,965 S	*	10/1970	Kreizel	.....	D12/211
D235,433 S	*	6/1975	May	.....	D12/211
D259,484 S	*	6/1981	Welburn	.....	D12/209
D263,296 S	*	3/1982	Blanchard et al.	.....	D12/209
D298,528 S	*	11/1988	Burke et al.	.....	D12/211

\* cited by examiner

*Primary Examiner* — Stacia Cadmus

(74) *Attorney, Agent, or Firm* — Patent Law Office of David G. Beck

(57) **CLAIM**

The ornamental design for a vehicle wheel front face, as shown and described.

**DESCRIPTION**

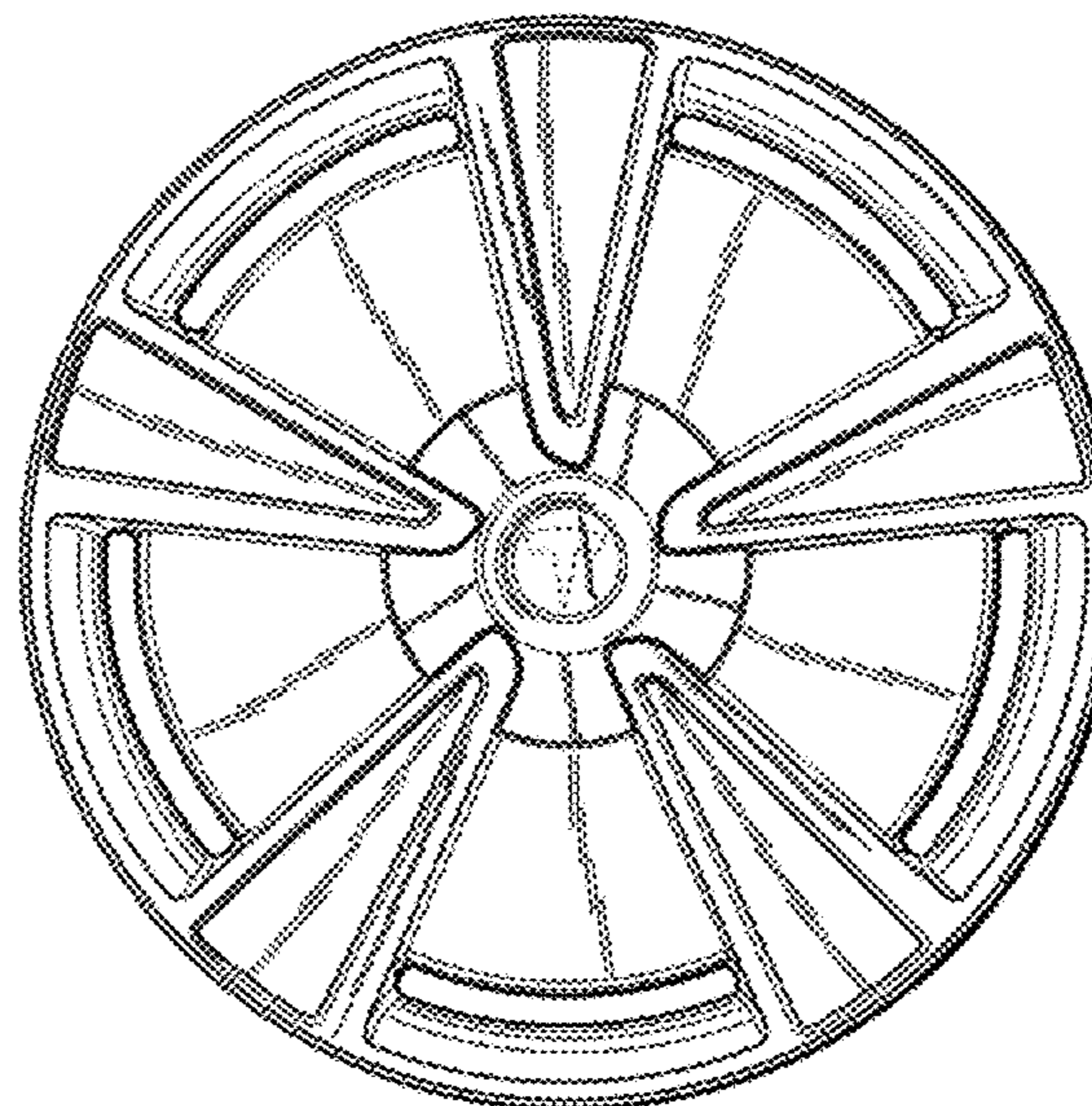
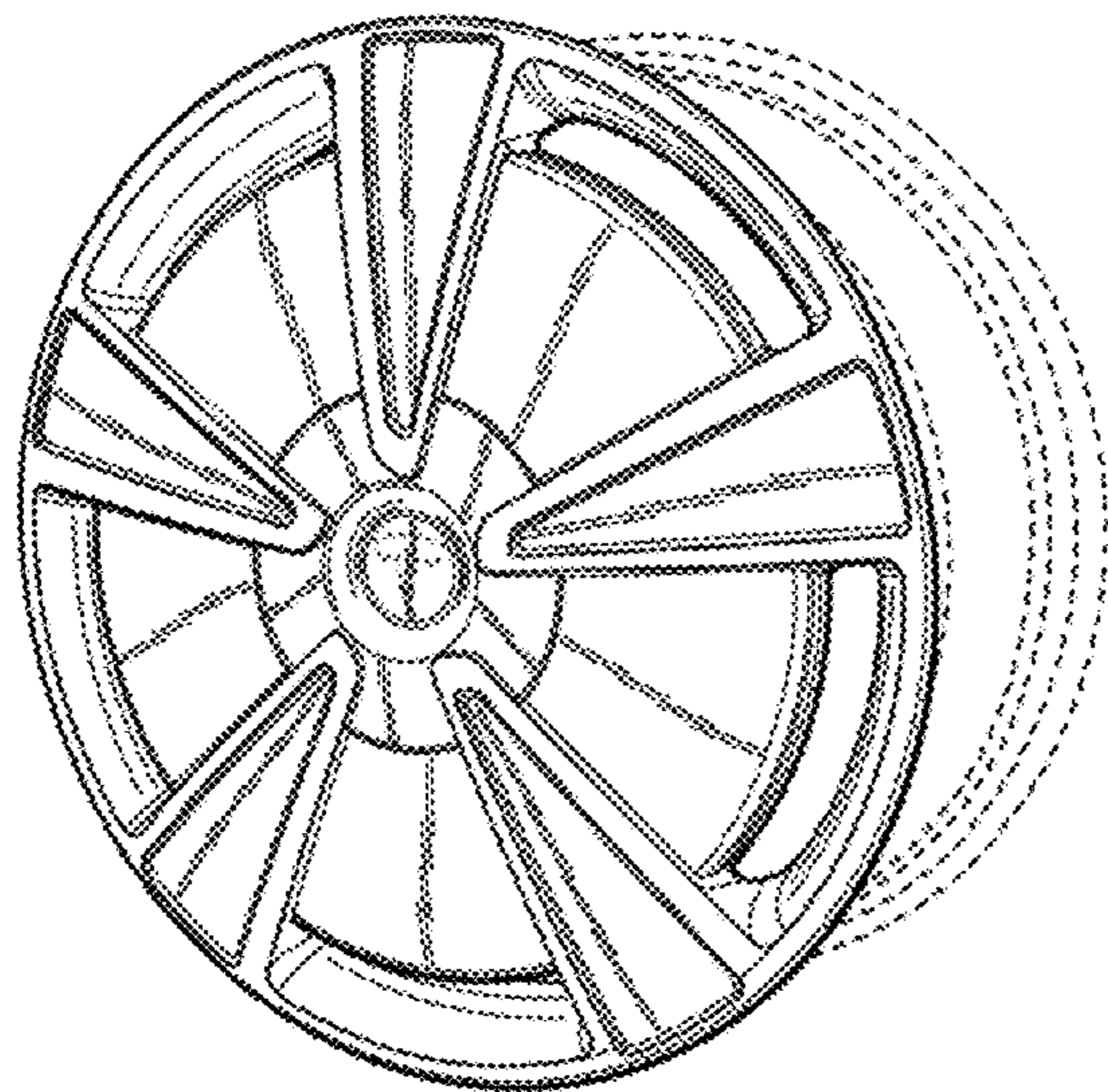
FIG. 1 is a perspective view of a front face of a wheel for a motor vehicle;

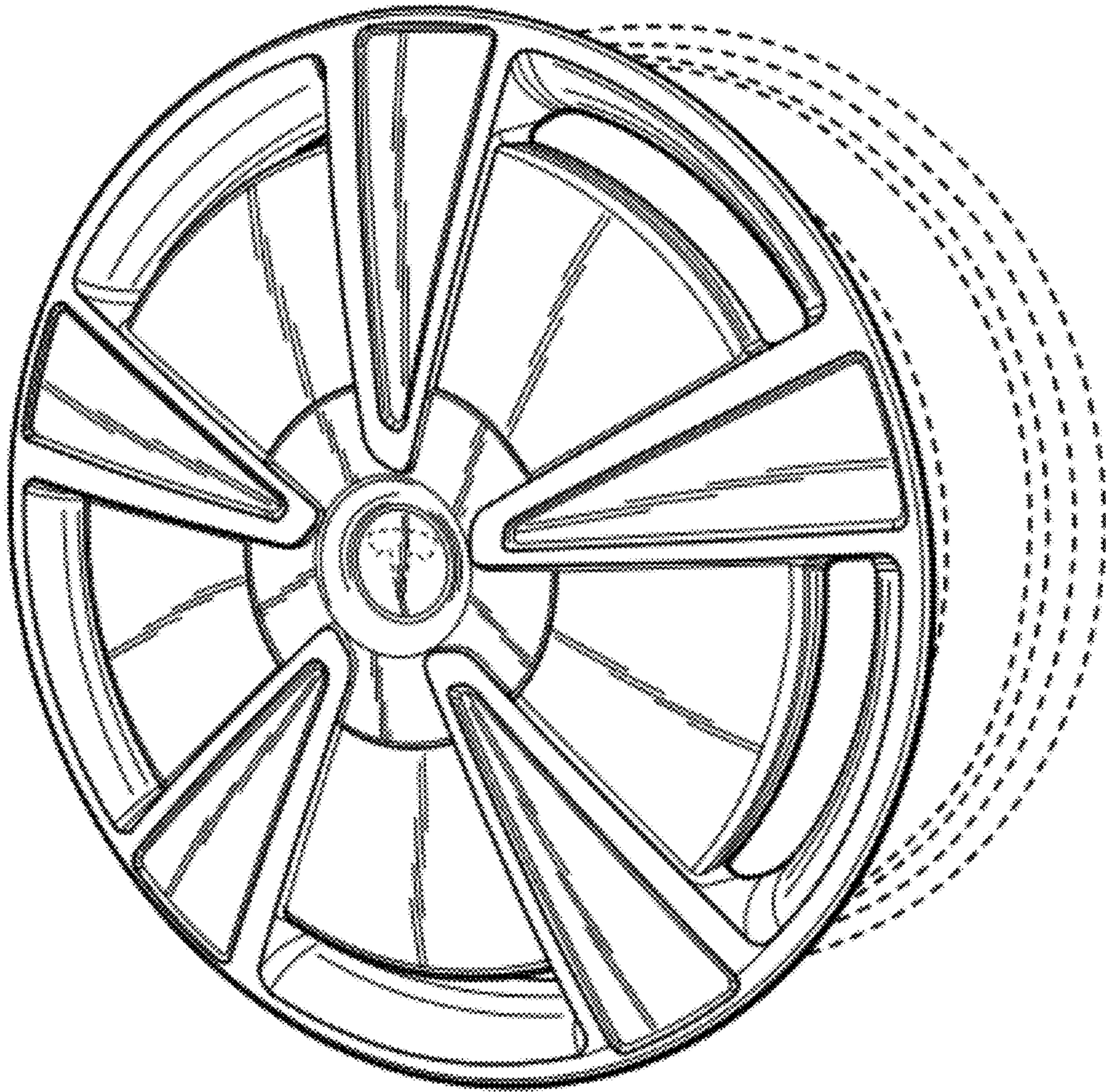
FIG. 2 is a front elevational view thereof; and,

FIG. 3 is a side elevational view thereof.

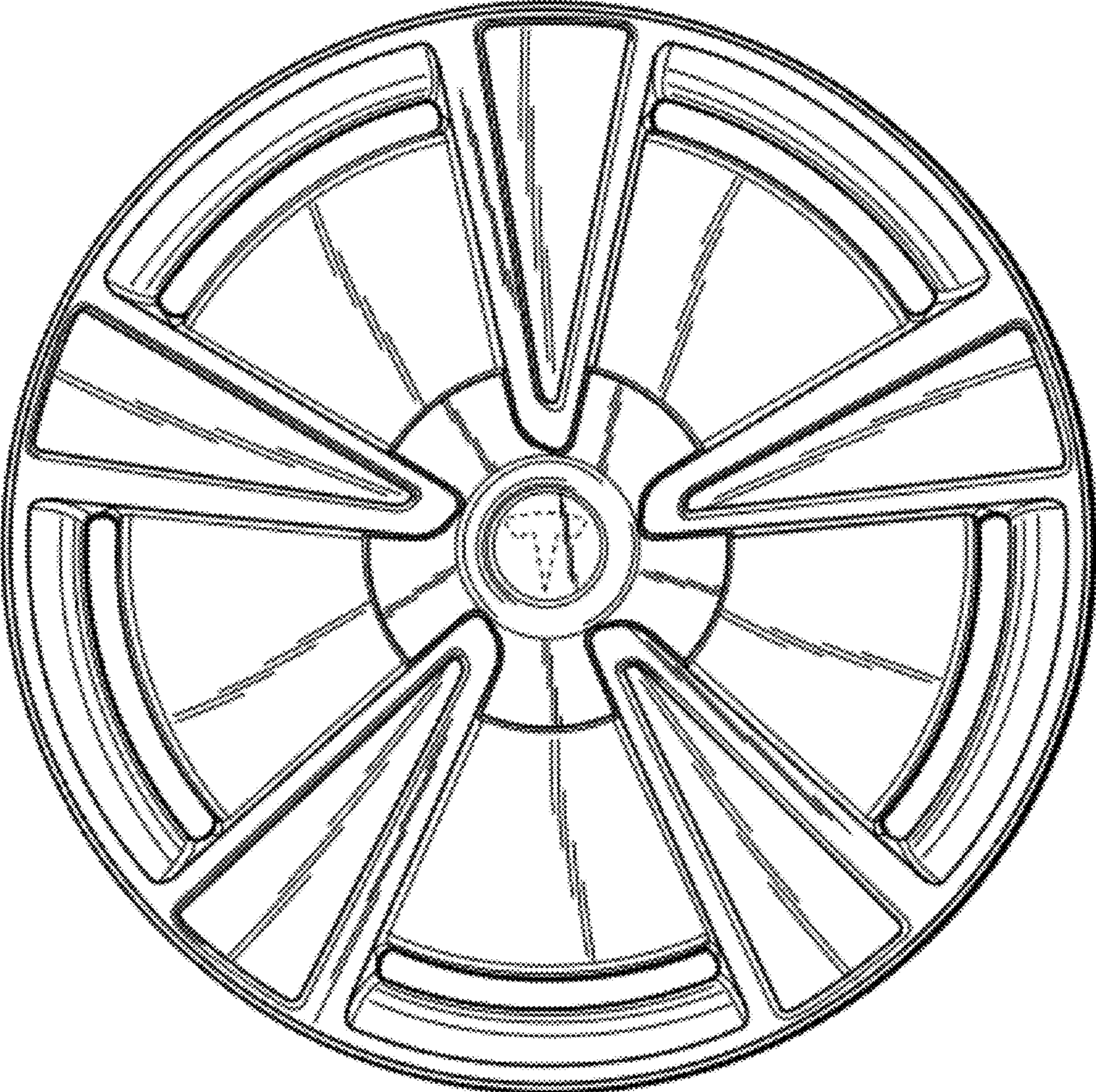
The broken lines are for illustrative purposes and form no part of the claimed design.

**1 Claim, 3 Drawing Sheets**

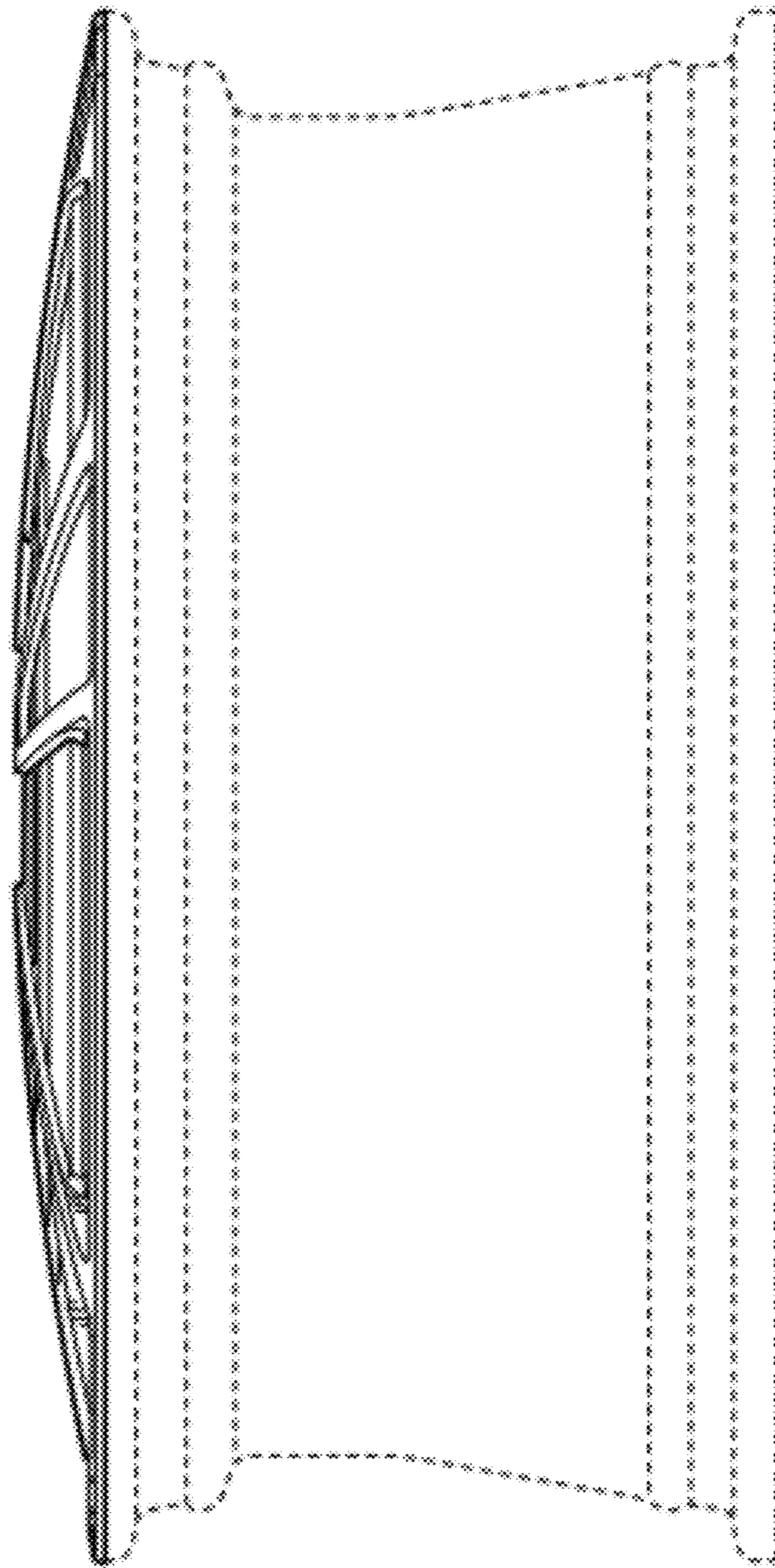




**FIG. 1**



**FIG. 2**



**FIG. 3**