

US00D660218S

(12) **United States Design Patent**  
**Bell**

(10) **Patent No.:** **US D660,218 S**

(45) **Date of Patent:** **\*\* May 22, 2012**

(54) **VEHICLE WHEEL**

(75) Inventor: **William Dan Bell**, Wilmington, NC  
(US)

(73) Assignee: **Full Moon Wheels, Inc.**, Kure Beach,  
NC (US)

(\*\*) Term: **14 Years**

(21) Appl. No.: **29/403,638**

(22) Filed: **Oct. 7, 2011**

(51) **LOC (9) Cl.** ..... **12-16**

(52) **U.S. Cl.** ..... **D12/209**

(58) **Field of Classification Search** ..... D12/204-213;  
301/37.101, 64.101, 65, 64.201  
See application file for complete search history.

(56) **References Cited**

**U.S. PATENT DOCUMENTS**

D438,500 S *	3/2001	Embrador	.....	D12/209
D473,179 S *	4/2003	Burden	.....	D12/204
D488,760 S *	4/2004	Kato	.....	D12/209

D491,864 S *	6/2004	Hovren	.....	D12/204
D492,233 S *	6/2004	Burden	.....	D12/204
D497,131 S *	10/2004	Burden	.....	D12/204
D590,316 S *	4/2009	Hsiao	.....	D12/209

\* cited by examiner

*Primary Examiner* — Stacia Cadmus

(74) *Attorney, Agent, or Firm* — The Law Offices of Mark S. King, P.C.; Mark S. King

(57) **CLAIM**

The ornamental design for a vehicle wheel, as shown and described.

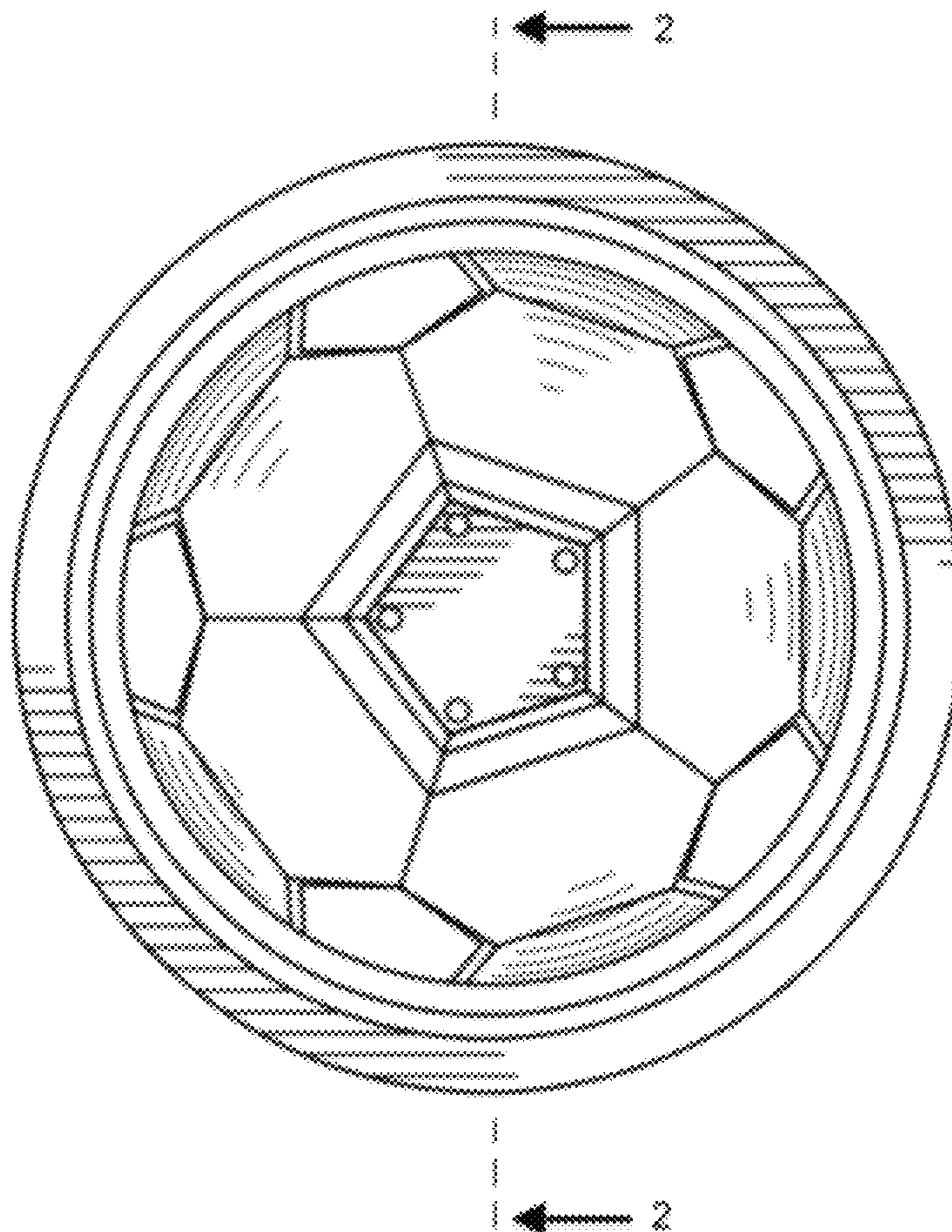
**DESCRIPTION**

FIG. 1 is a front view of a vehicle wheel showing my new design;

FIG. 2 is a section view taken along line 2-2 in FIG. 1; and, FIG. 3 is a rear view thereof.

The characteristic feature of the design resides in interlocking hexagons resembling the hemisphere of a traditional soccer ball in the front interior of the vehicle wheel.

**1 Claim, 3 Drawing Sheets**



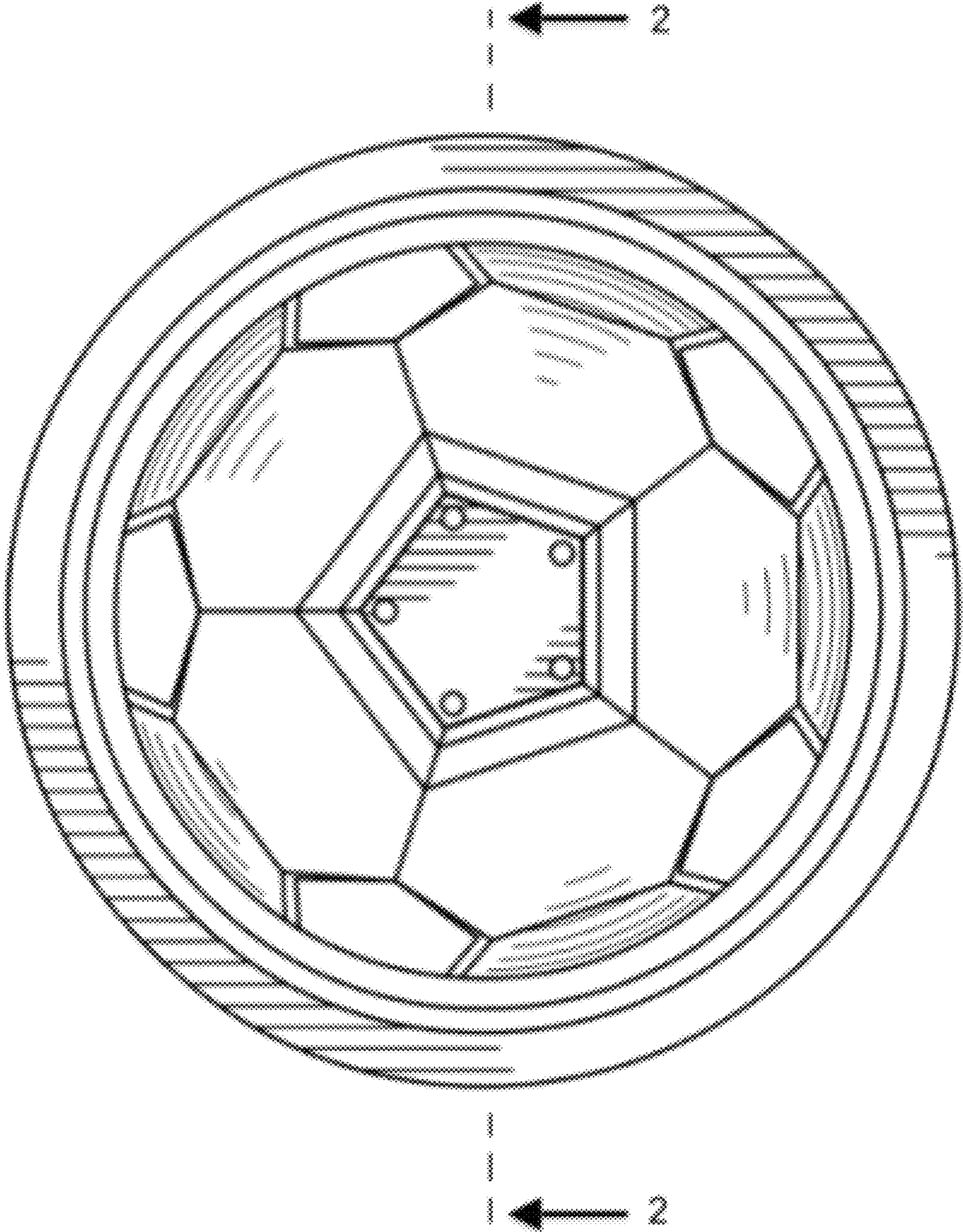


FIG. 1

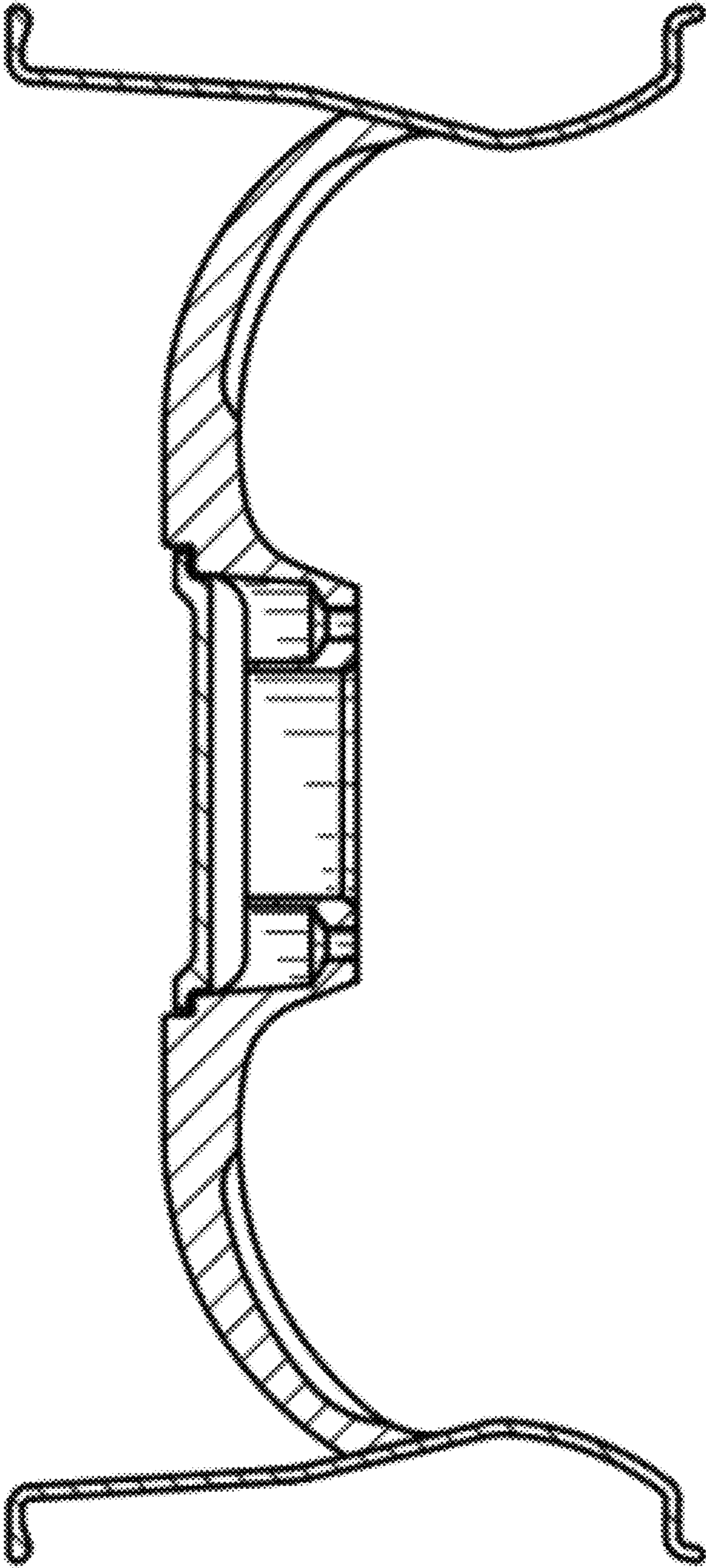


FIG. 2

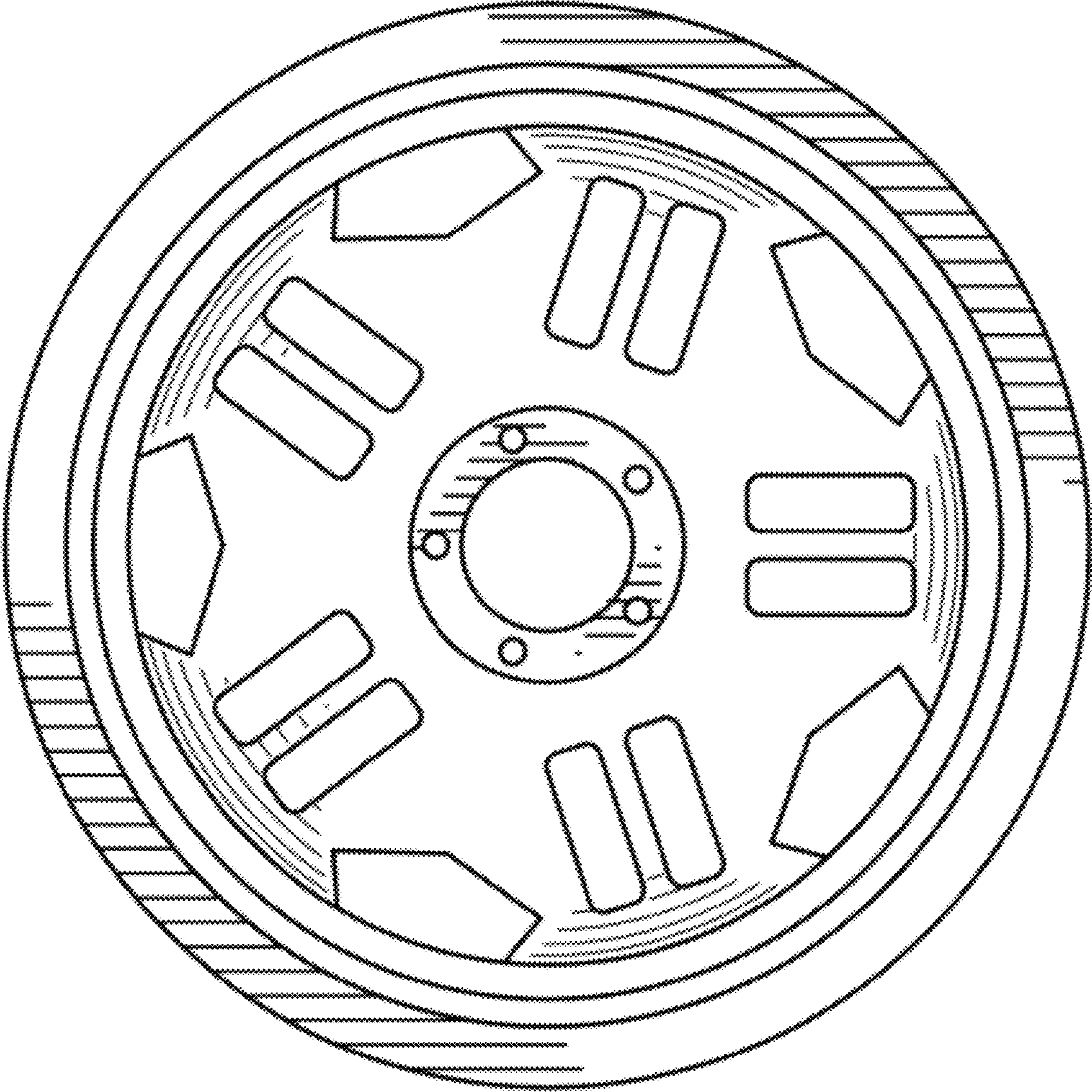


FIG. 3