

US00D660217S

(12) **United States Design Patent**
Nissl

(10) **Patent No.:** **US D660,217 S**
(45) **Date of Patent:** **** May 22, 2012**

(54) **WHEEL OR WHEEL COVER**

(75) Inventor: **Florian Dieter Nissl**, Munich (DE)

(73) Assignee: **Bayerische Motoren Werke Aktiengesellschaft**, Munich (DE)

(**) Term: **14 Years**

(21) Appl. No.: **29/401,758**

(22) Filed: **Sep. 15, 2011**

(30) **Foreign Application Priority Data**

Mar. 16, 2011 (DE) 402011001500

(51) **LOC (9) Cl.** **12-16**

(52) **U.S. Cl.** **D12/209**

(58) **Field of Classification Search** D12/204–213;
301/37.101, 64.101, 65, 64.201
See application file for complete search history.

(56) **References Cited**

U.S. PATENT DOCUMENTS

D466,849 S	*	12/2002	Lee	D12/209
D515,491 S		2/2006	Elmitt		
D590,314 S		4/2009	Hettler		
D621,767 S	*	8/2010	Ectors et al.	D12/209
D623,108 S	*	9/2010	Spoerle	D12/209
D627,700 S	*	11/2010	Ectors et al.	D12/209
D635,078 S		3/2011	Elmitt		
D642,967 S	*	8/2011	Lamm et al.	D12/209
D643,794 S		8/2011	Elmitt		

FOREIGN PATENT DOCUMENTS

EM	000304274-0004	5/2005
EM	000863055-0001	3/2008
EM	001846346-0004	4/2011
EM	001754979-0001	11/2011
EM	001804675-0002	11/2011
EM	001804675-0008	11/2011

* cited by examiner

Primary Examiner — Stacia Cadmus

(74) *Attorney, Agent, or Firm* — Crowell & Moring LLP

(57) **CLAIM**

The ornamental design for a wheel or wheel cover, as shown and described.

DESCRIPTION

This application contains subject matter related to the following co-pending U.S. design patent applications:

Application Ser. No. 29/371,359, filed Jan. 14, 2011 and entitled “Wheel or Wheel Cover;” and

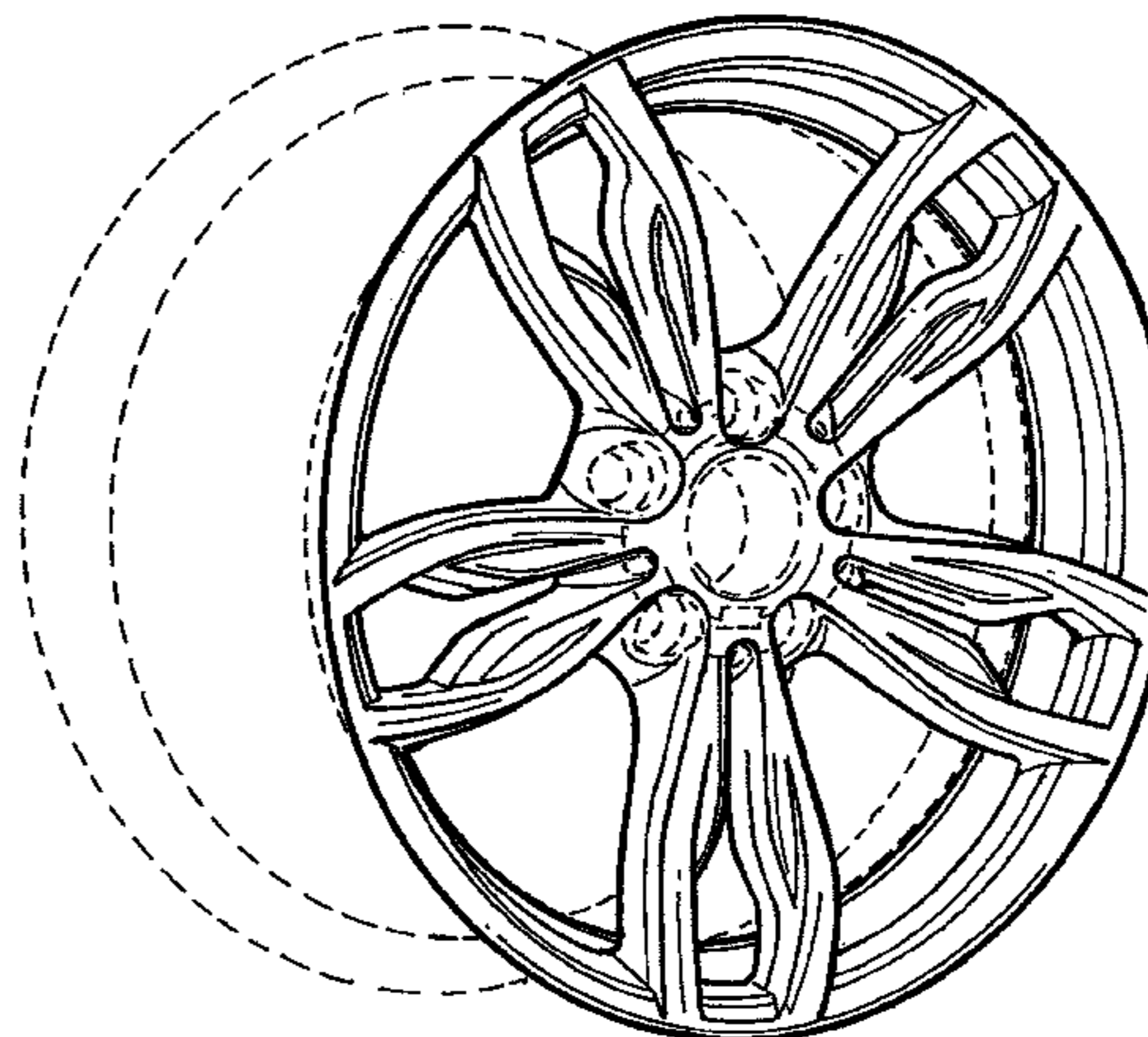
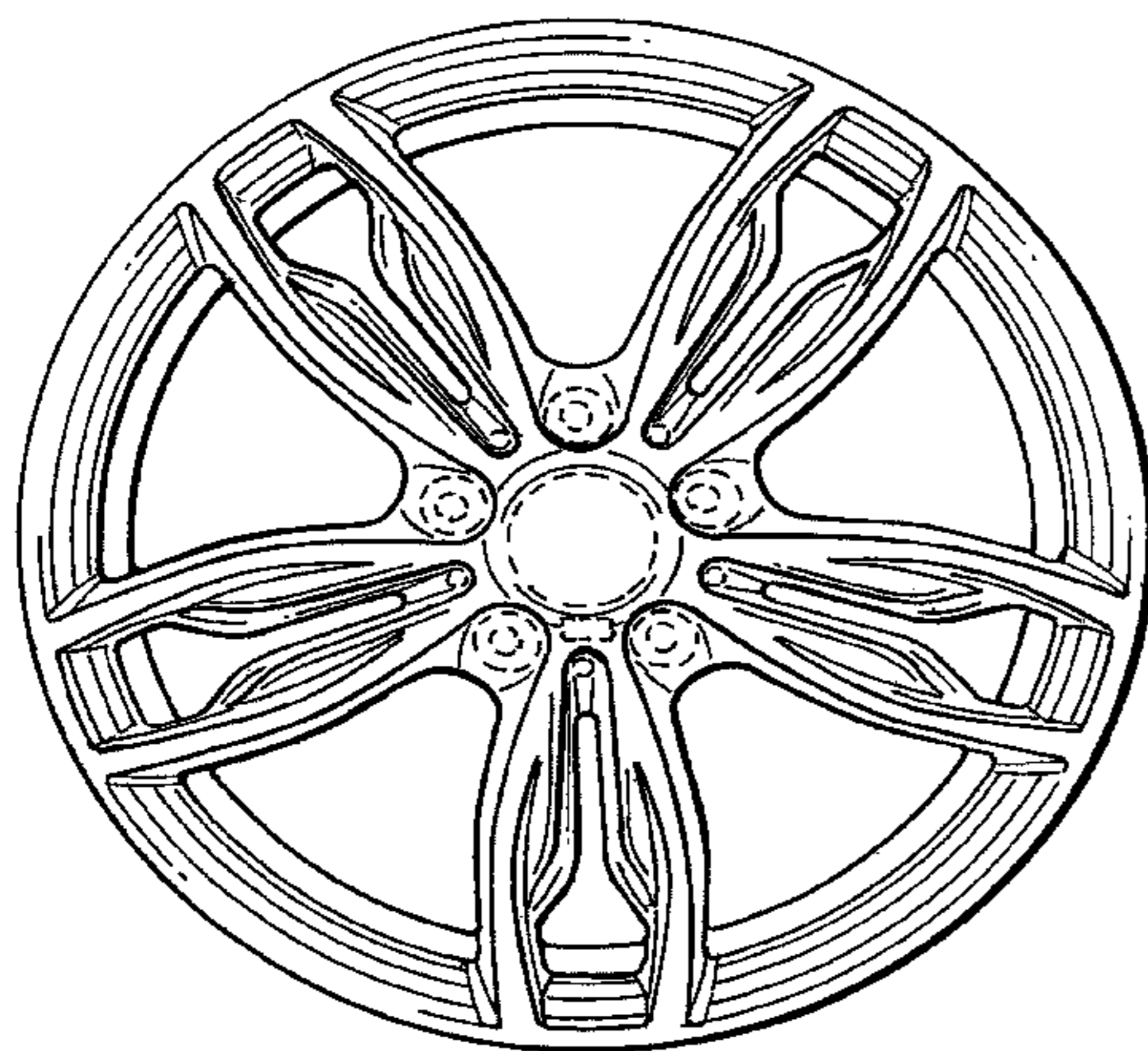
Application Ser. No. 29/390,769, filed Apr. 29, 2011 and entitled Wheel or Wheel Cover.

FIG. 1 is a front view of a wheel or wheel cover according to my design; and,

FIG. 2 is a perspective view thereof.

The broken line showing of the rear of the wheel, and the bolt holes and the center opening in the central hub area is included for the purpose of illustrating environment and forms no part of the claimed design.

1 Claim, 1 Drawing Sheet



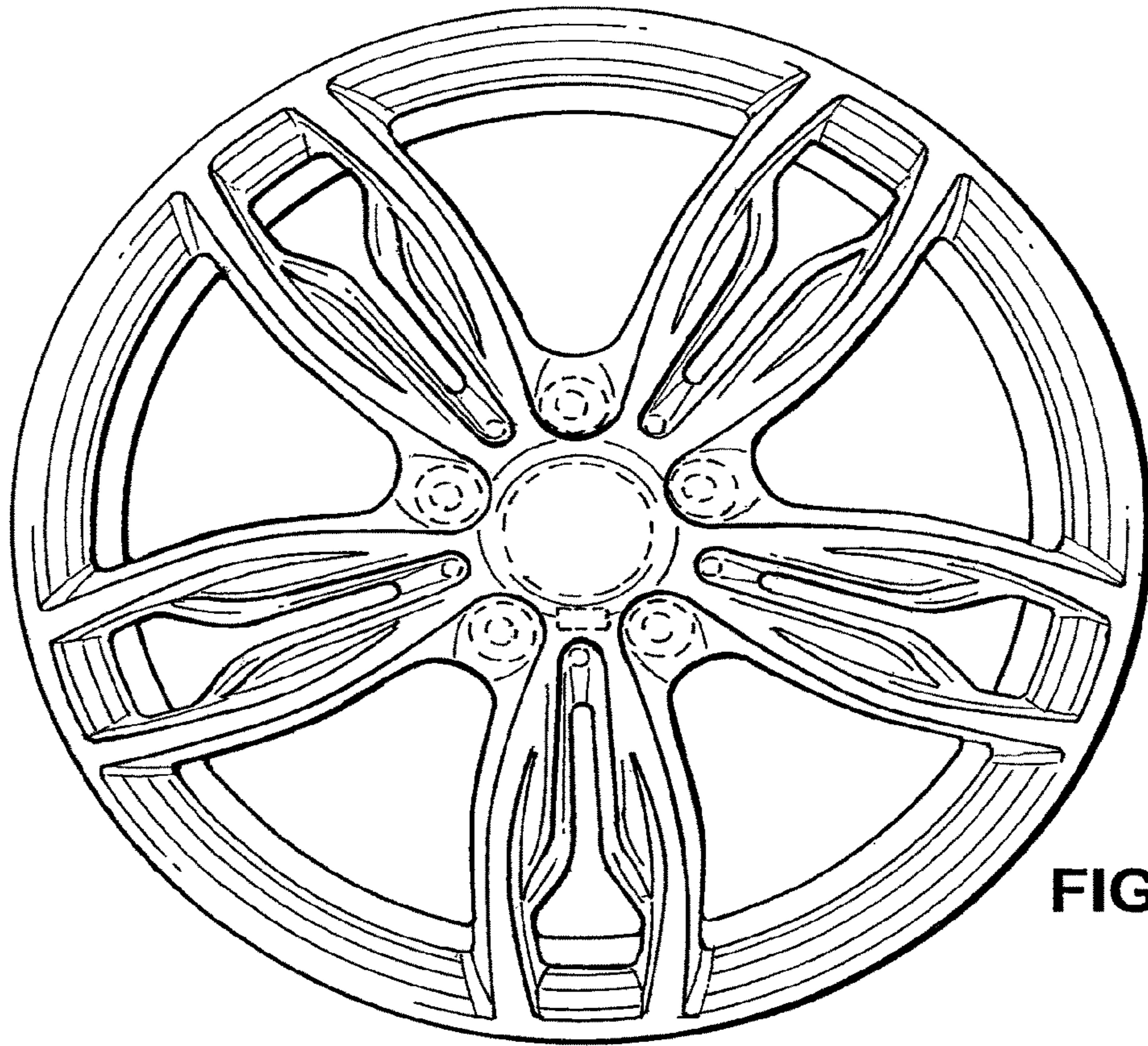


FIG. 1

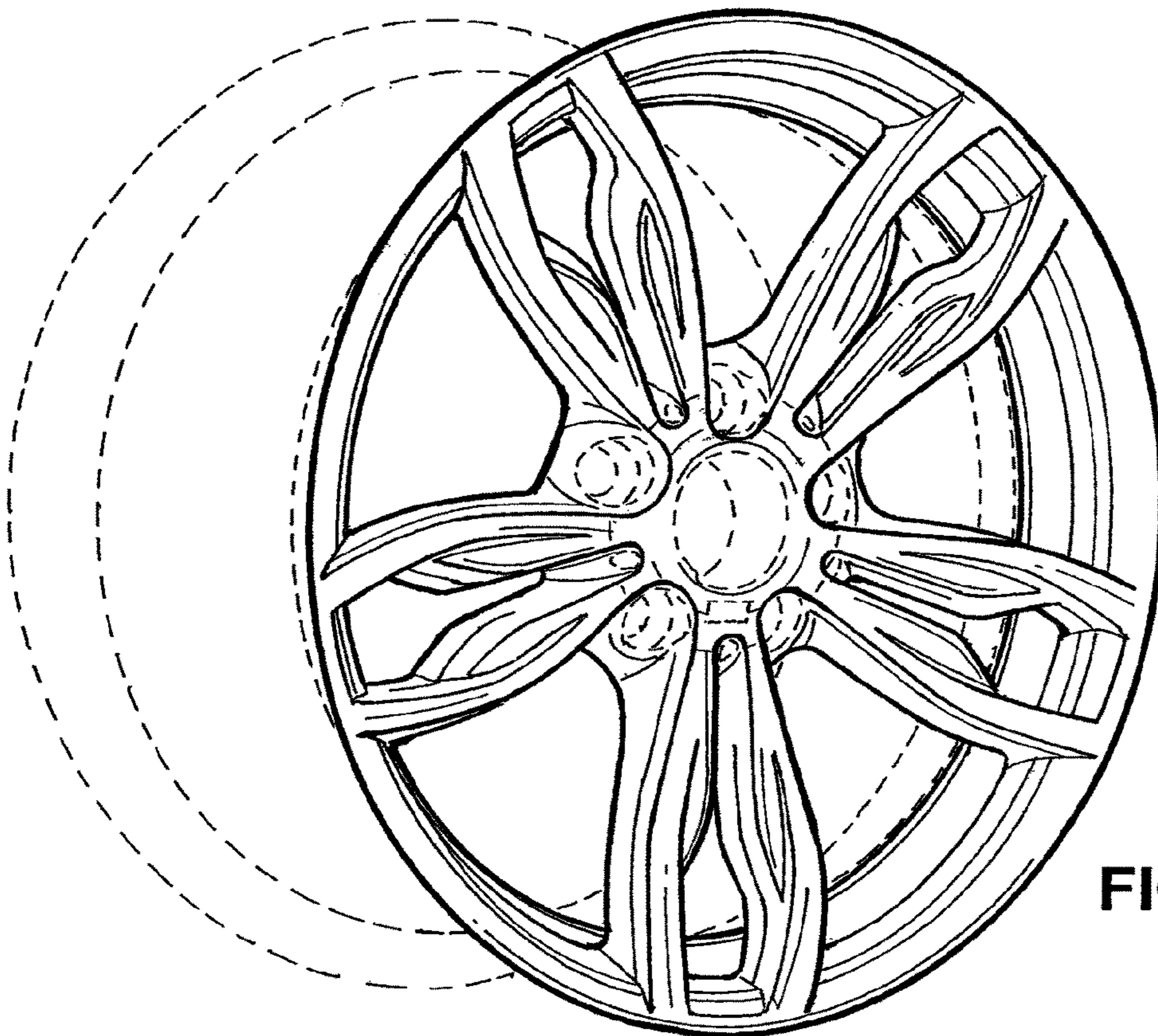


FIG. 2