



US00D660215S

(12) **United States Design Patent**
Cartabiano et al.

(10) **Patent No.:** **US D660,215 S**

(45) **Date of Patent:** **** May 22, 2012**

(54) **BODY PANEL FOR AN AUTOMOBILE**

(75) Inventors: **Ian Cartabiano**, Newport Beach, CA (US); **Tatsuya Hotta**, Yokosuka (JP); **Tetsuya Nakagawa**, Yokosuka (JP)

(73) Assignee: **Toyota Jidosha Kabushiki Kaisha**, Toyota-shi (JP)

(**) Term: **14 Years**

(21) Appl. No.: **29/382,630**

(22) Filed: **Jan. 5, 2011**

(51) **LOC (9) Cl.** **12-16**

(52) **U.S. Cl.** **D12/196**

(58) **Field of Classification Search** D12/184,
D12/196, 90-92; 280/152.1, 847-849, 851;
296/181.1, 181.5

See application file for complete search history.

(56) **References Cited**

U.S. PATENT DOCUMENTS

D566,027 S *	4/2008	Gavriles	D12/196
D580,838 S *	11/2008	Gabath et al.	D12/184
D583,286 S *	12/2008	Leclercq	D12/184
D597,004 S *	7/2009	Habib	D12/184

D605,101 S *	12/2009	Mueller	D12/196
D605,572 S *	12/2009	Ward	D12/196
D620,413 S *	7/2010	Huet	D12/196
D620,414 S *	7/2010	Froehlich	D12/196

* cited by examiner

Primary Examiner — Melody N Brown

(74) *Attorney, Agent, or Firm* — Finnegan, Henderson, Farabow, Garrett & Dunner, LLP

(57) **CLAIM**

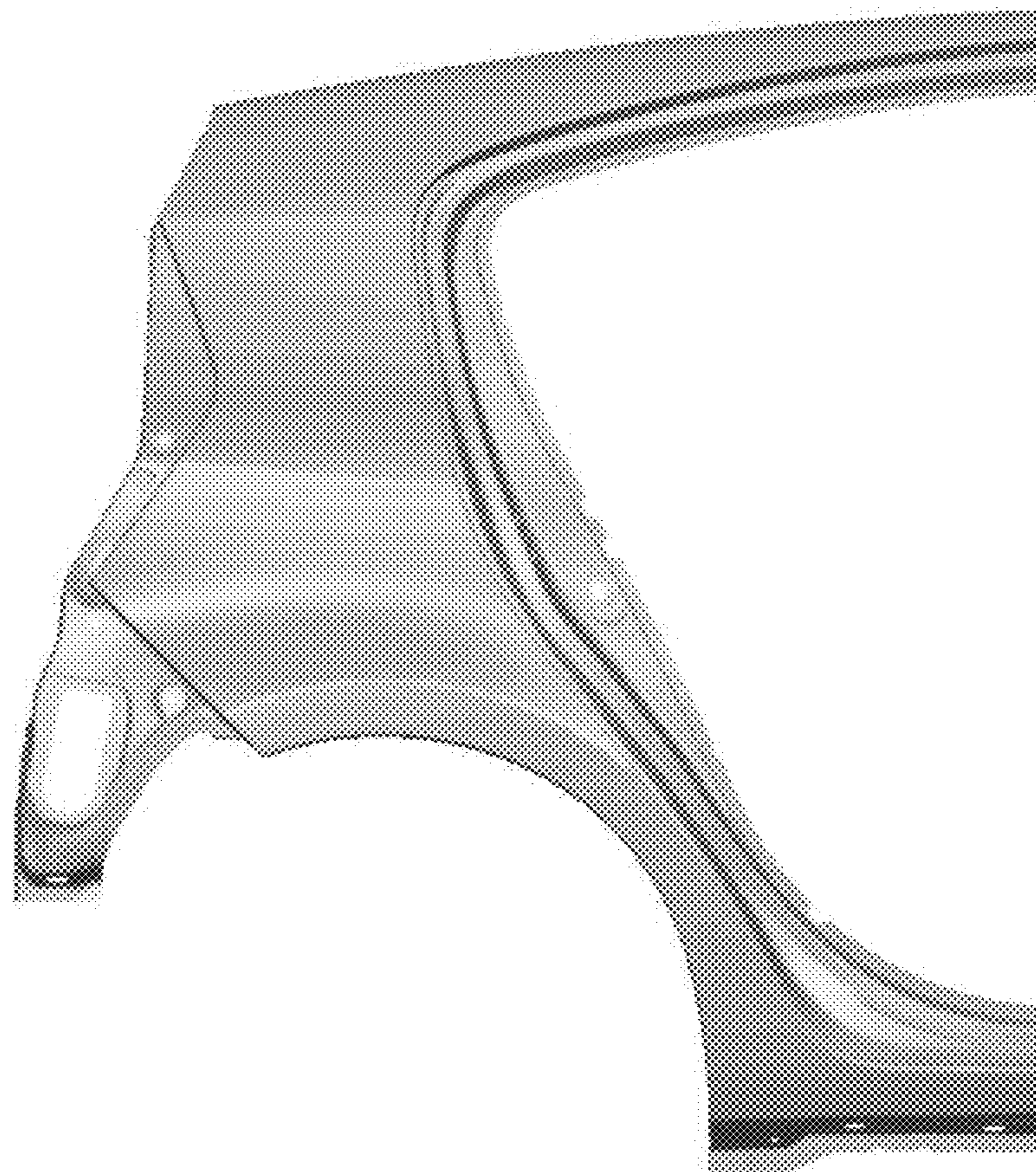
The ornamental design for a body panel for an automobile, as shown and described.

DESCRIPTION

FIG. 1 is a front perspective view of a body panel for an automobile of our new design; FIG. 2 is a rear perspective view thereof; FIG. 3 is a top plan view thereof; FIG. 4 is a bottom view thereof; FIG. 5 is a left side view thereof; FIG. 6 is a right side view thereof; FIG. 7 is a front view thereof; and, FIG. 8 is a rear view thereof.

Our design includes a mirror image of the embodiment depicted.

1 Claim, 5 Drawing Sheets



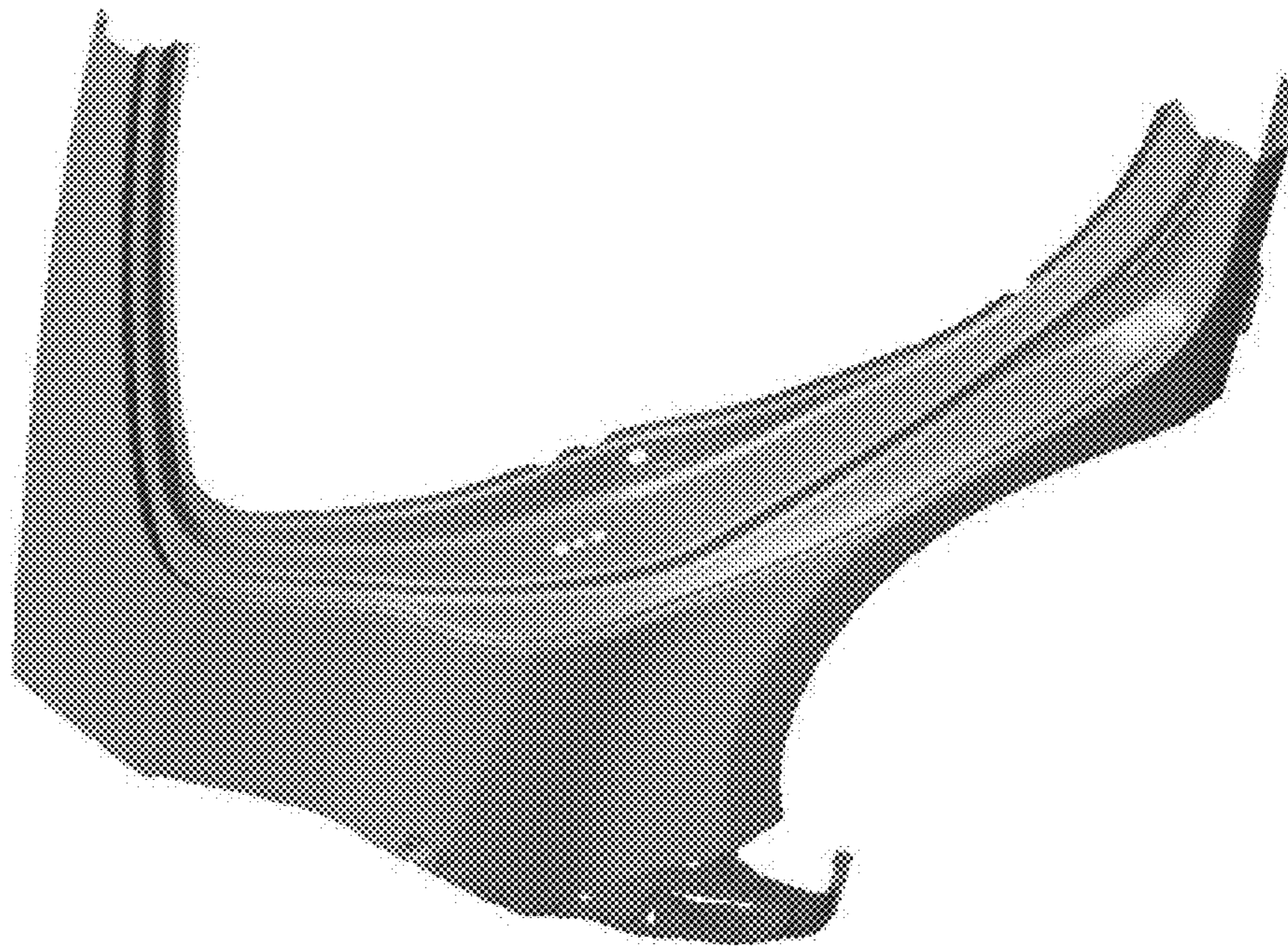


FIG. 1

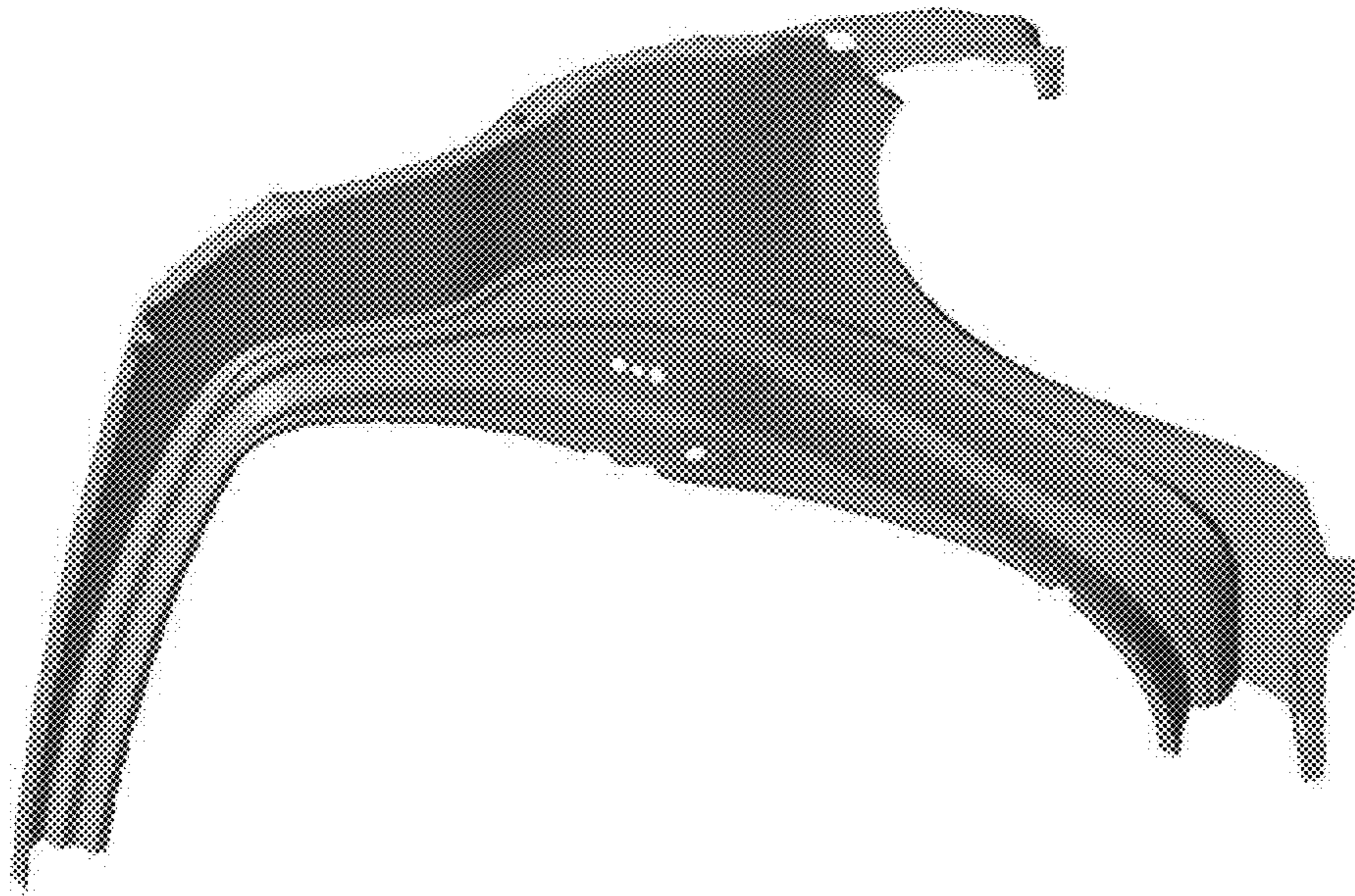


FIG. 2

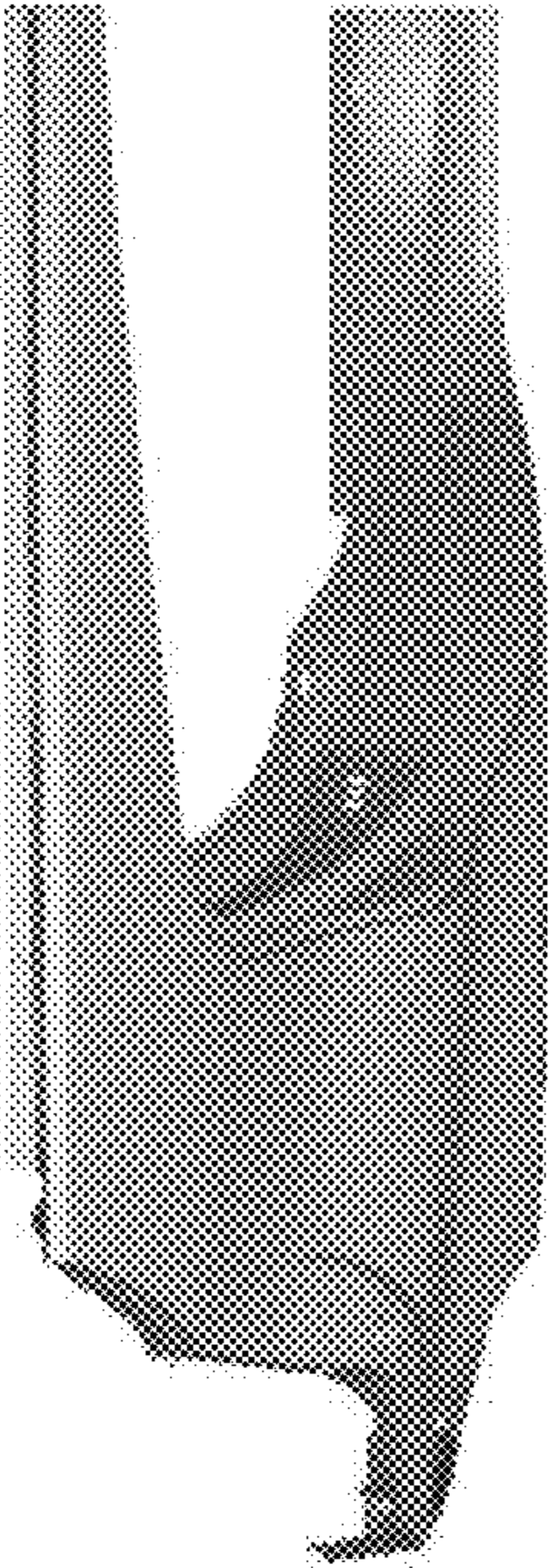


FIG. 3

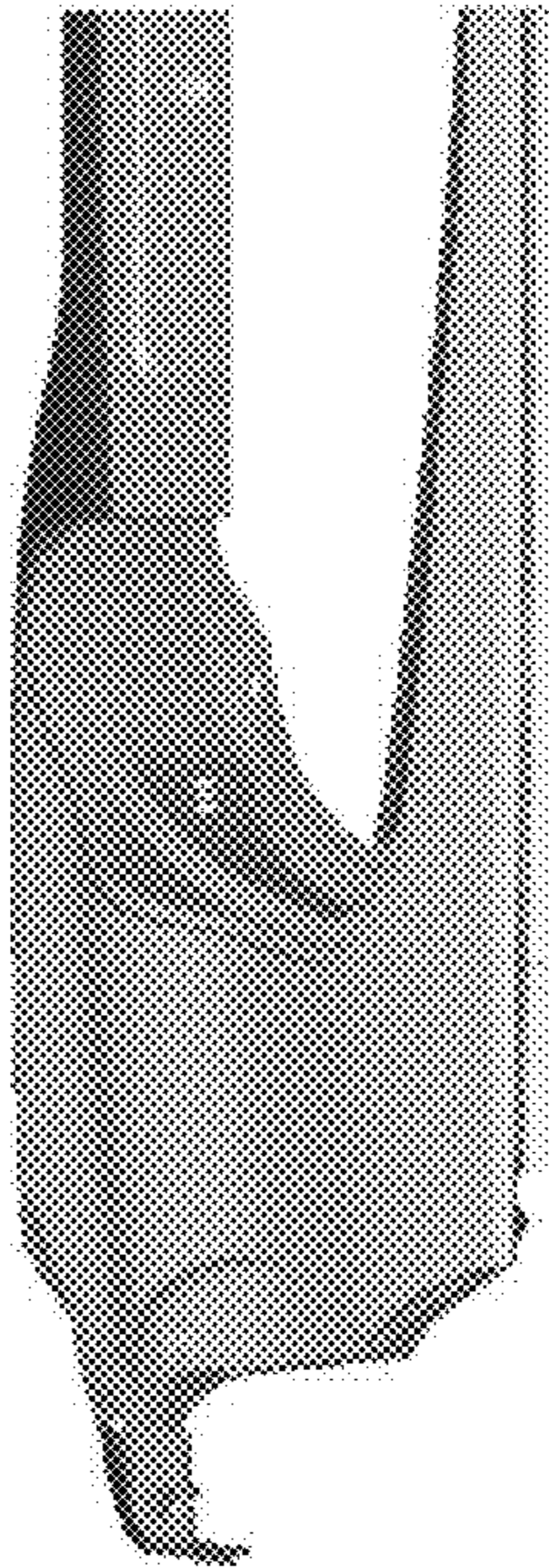


FIG. 4



FIG. 6

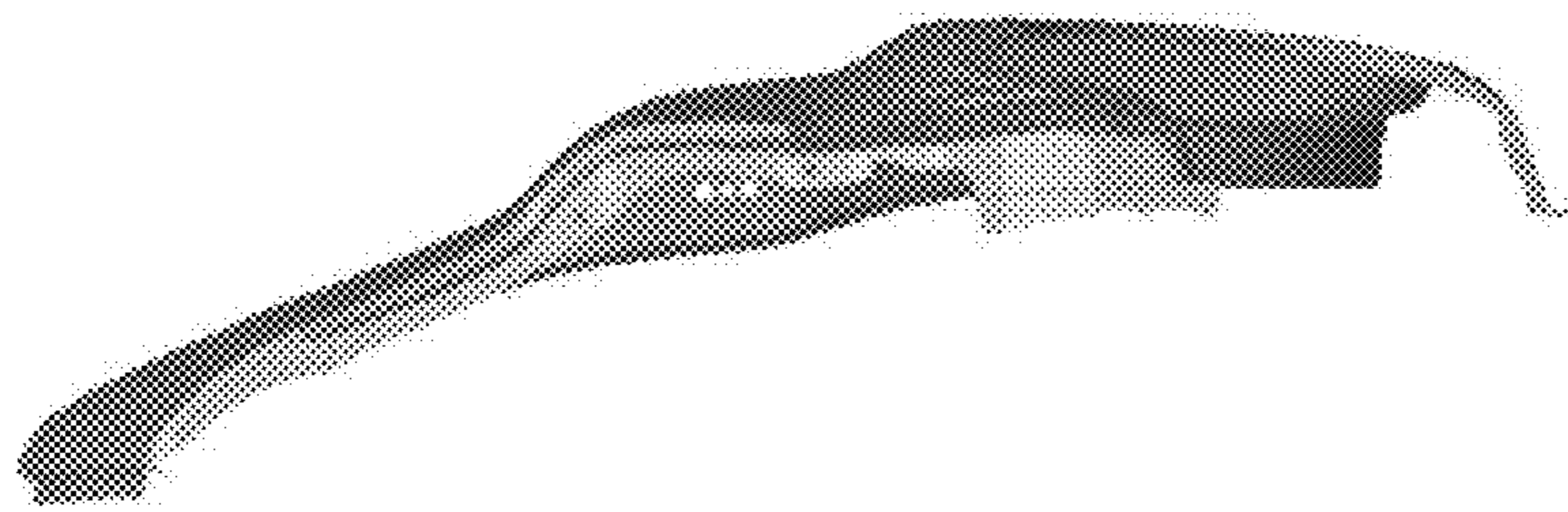


FIG. 5

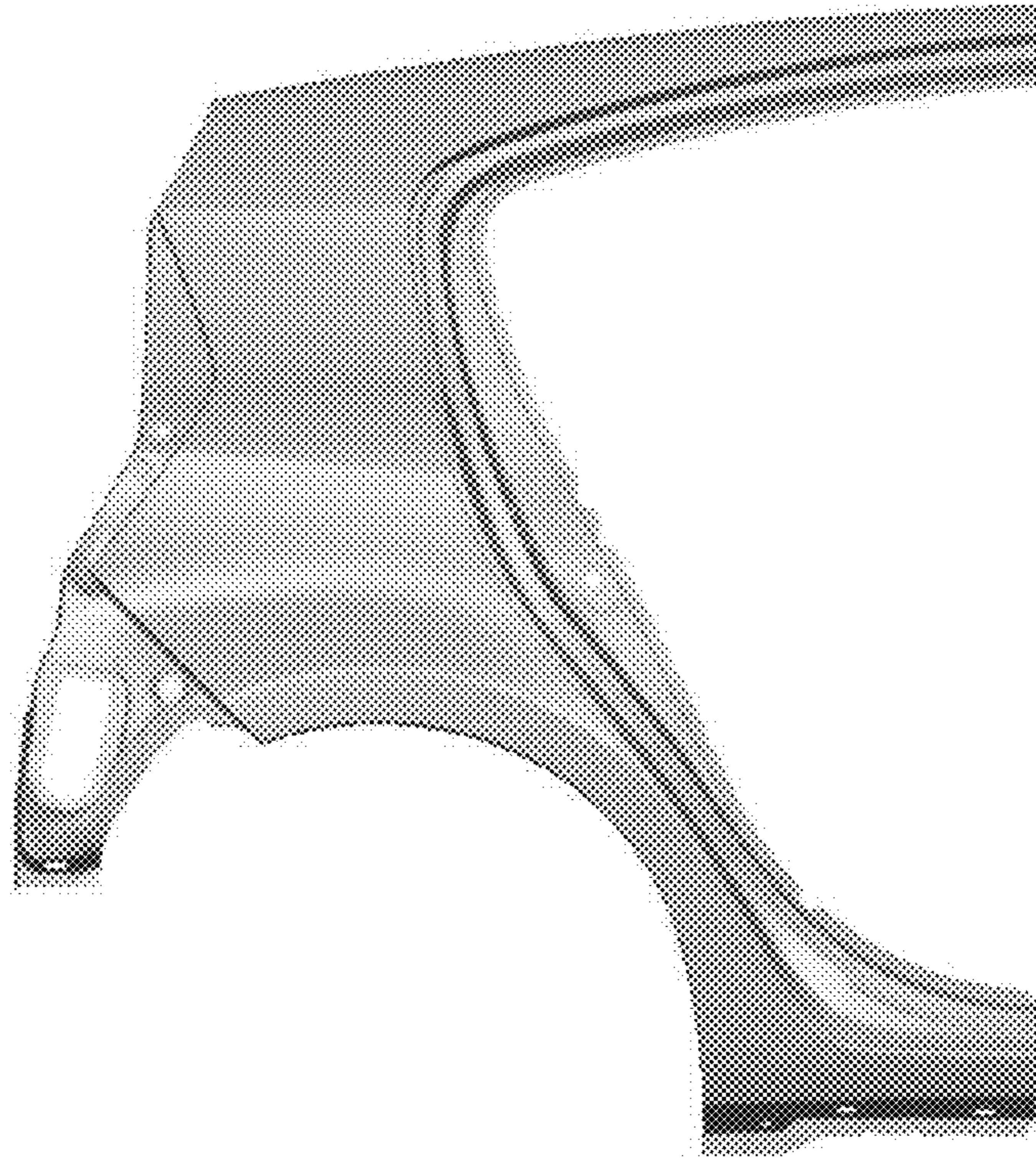


FIG. 7

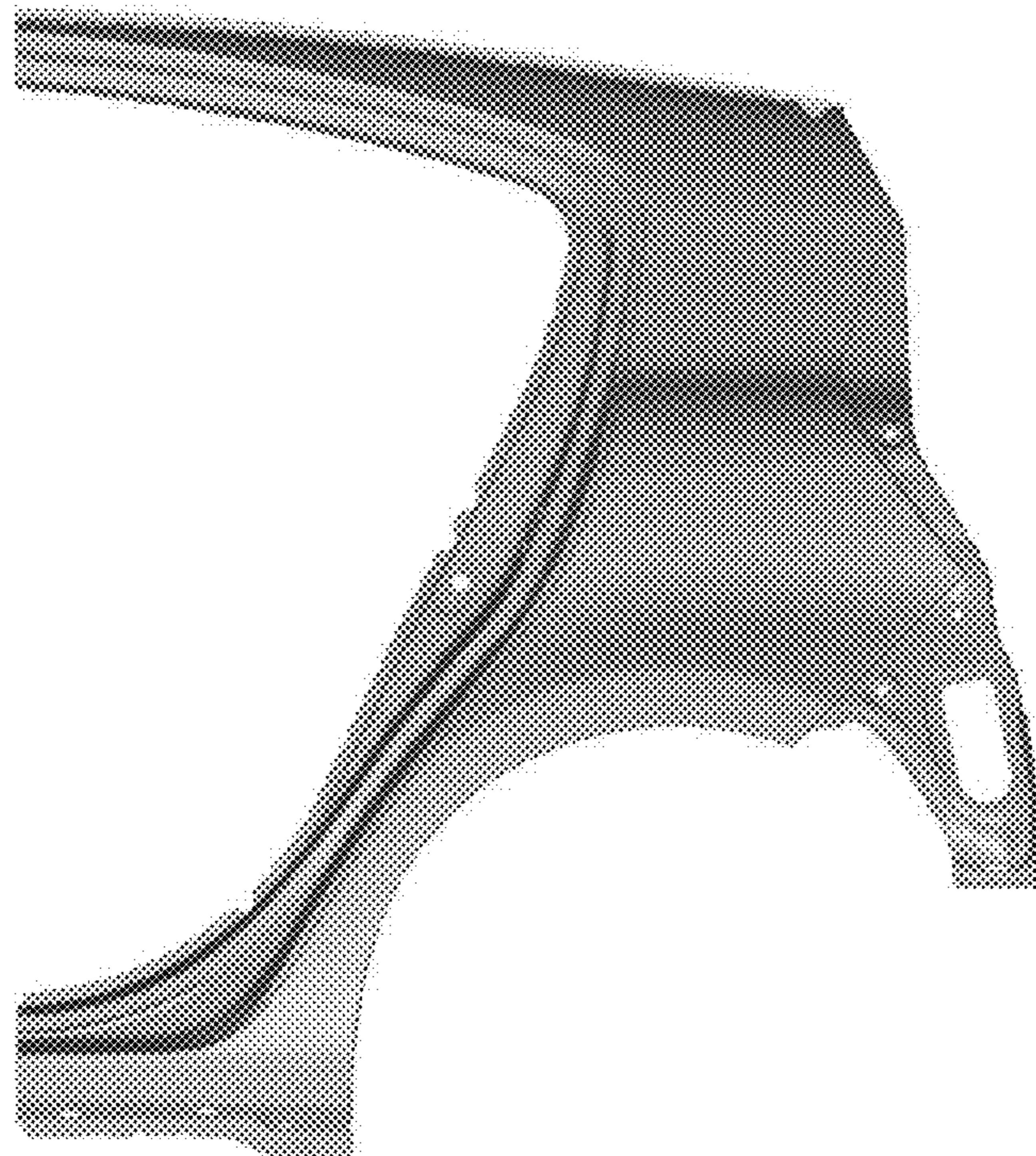


FIG. 8