

US00D660214S

(12) **United States Design Patent**
Cartabiano et al.

(10) **Patent No.:** **US D660,214 S**

(45) **Date of Patent:** **** May 22, 2012**

(54) **BODY PANEL FOR AN AUTOMOBILE**

(75) Inventors: **Ian Cartabiano**, Newport Beach, CA (US); **Tatsuya Hotta**, Yokosuka (JP); **Tetsuya Nakagawa**, Yokosuka (JP)

(73) Assignee: **Toyota Jidosha Kabushiki Kaisha**, Toyota-shi (JP)

(**) Term: **14 Years**

(21) Appl. No.: **29/382,628**

(22) Filed: **Jan. 5, 2011**

(51) **LOC (9) Cl.** **12-16**

(52) **U.S. Cl.** **D12/196; D12/184**

(58) **Field of Classification Search** D12/184, D12/196, 90-92; 280/152.1, 847-849, 851; 296/181.1, 181.5

See application file for complete search history.

(56) **References Cited**

U.S. PATENT DOCUMENTS

D442,889 S 5/2001 Pfeiffer
D507,514 S * 7/2005 Nagura et al. D12/196
D600,614 S * 9/2009 Lamm D12/184

D604,681 S * 11/2009 Nakamura D12/184
* cited by examiner

Primary Examiner — Melody N Brown
(74) *Attorney, Agent, or Firm* — Finnegan, Henderson, Farabow, Garrett & Dunner, LLP

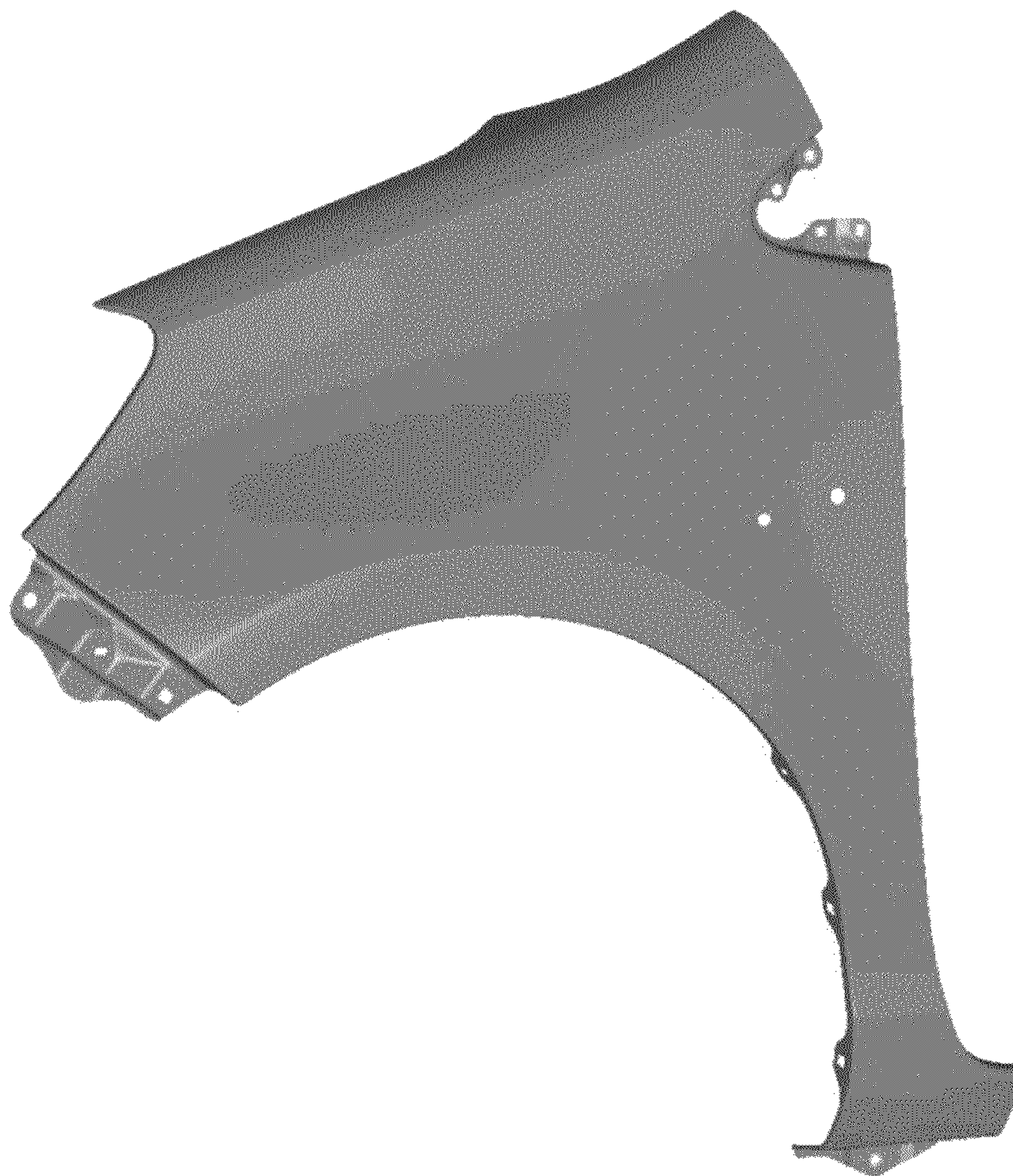
(57) **CLAIM**

The ornamental design for a body panel for an automobile, as shown and described.

DESCRIPTION

FIG. 1 is a front perspective view of a body panel for an automobile of our new design;
FIG. 2 is a front view thereof;
FIG. 3 is a left side front view thereof;
FIG. 4 is a right side view thereof;
FIG. 5 is a top plan view thereof;
FIG. 6 is a bottom view thereof;
FIG. 7 is a rear view thereof; and,
FIG. 8 is a rear perspective view thereof.
Our design includes a mirror image of the embodiment depicted.

1 Claim, 6 Drawing Sheets



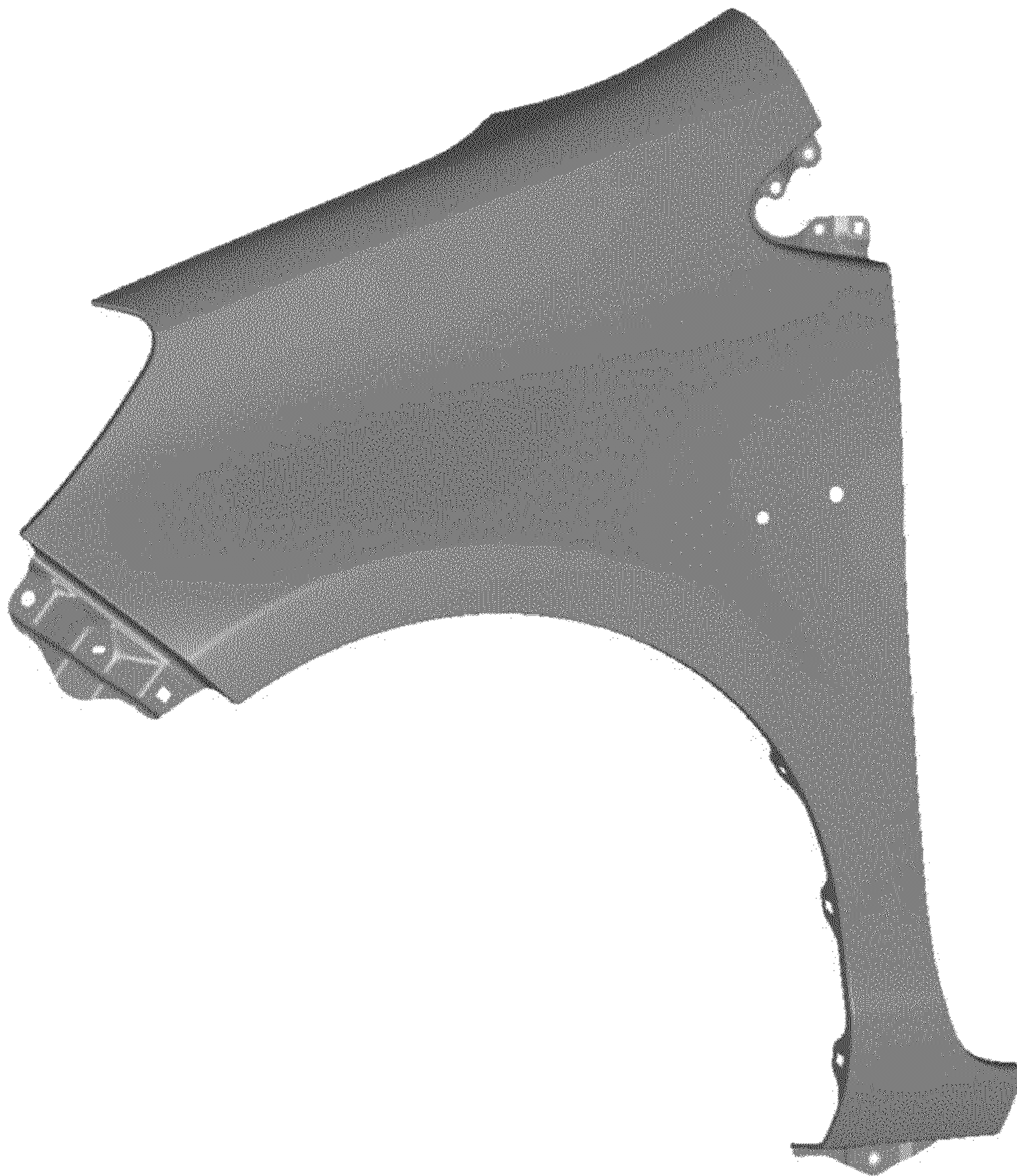


FIG. 1



FIG. 2

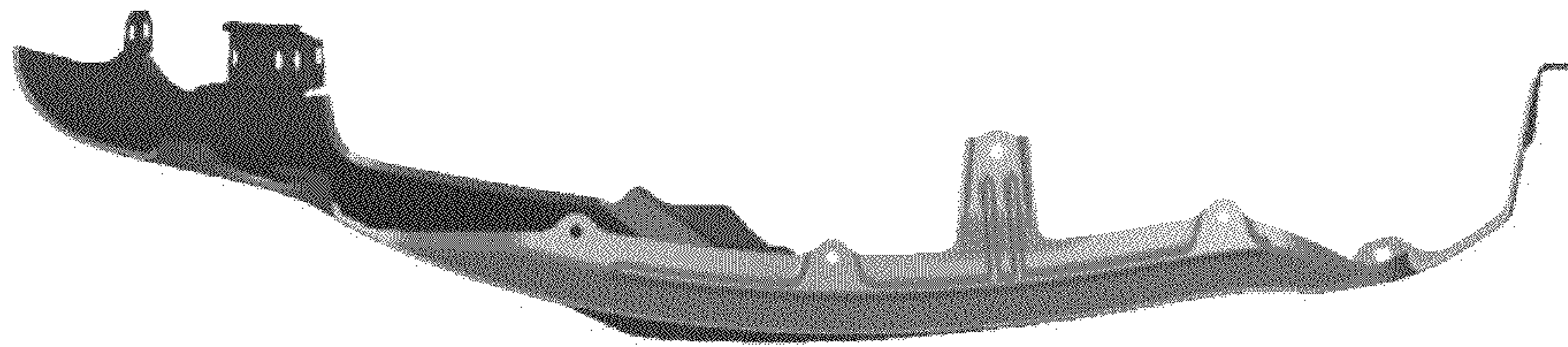


FIG. 4

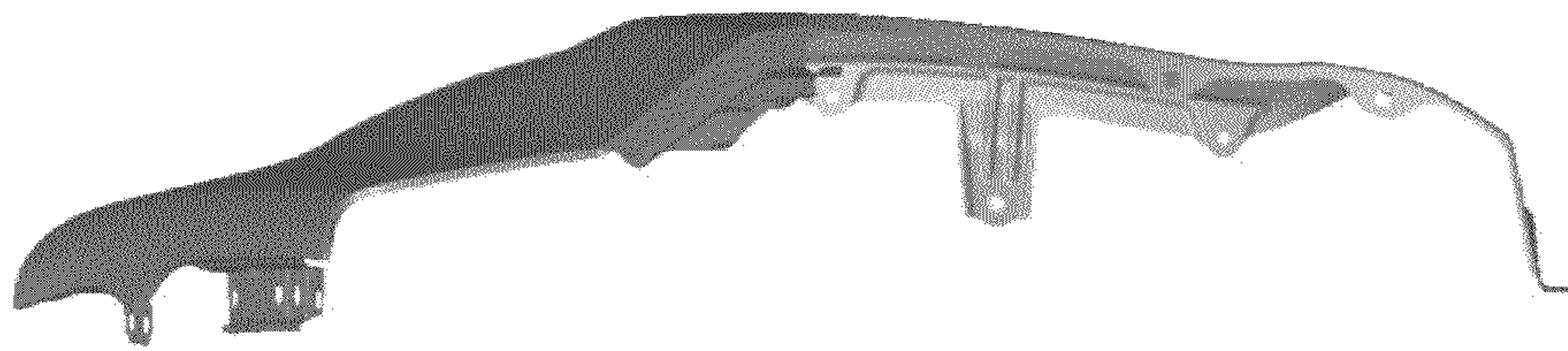


FIG. 3

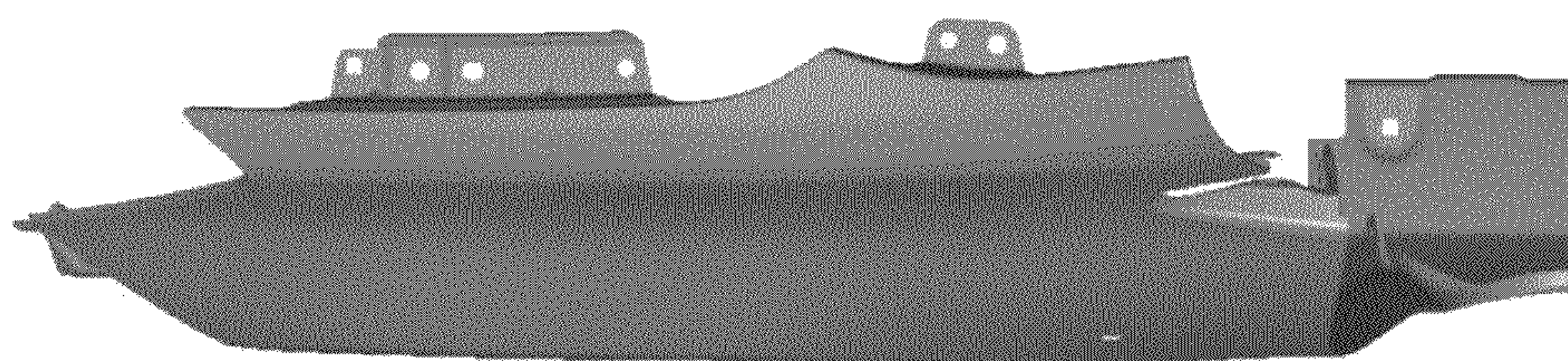


FIG. 5

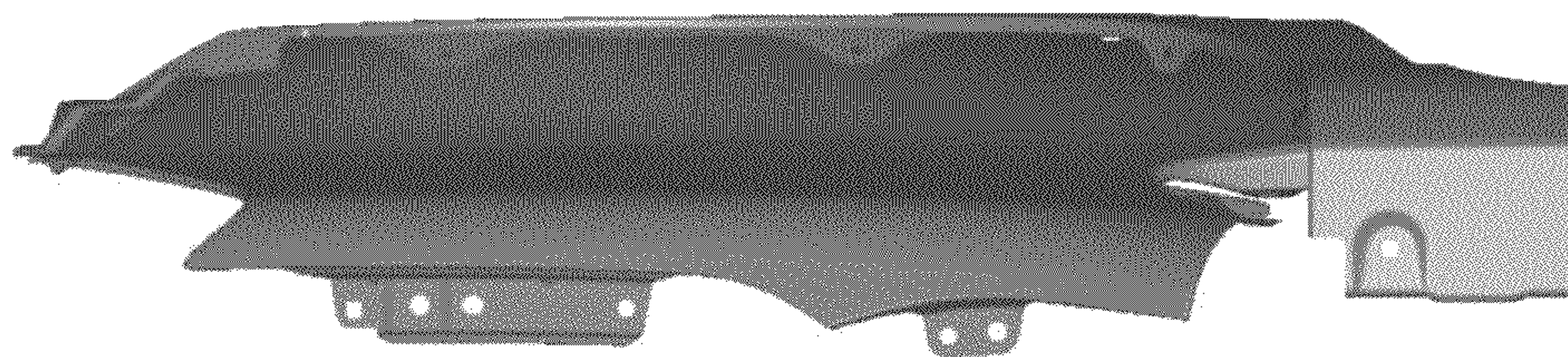


FIG. 6



FIG. 7

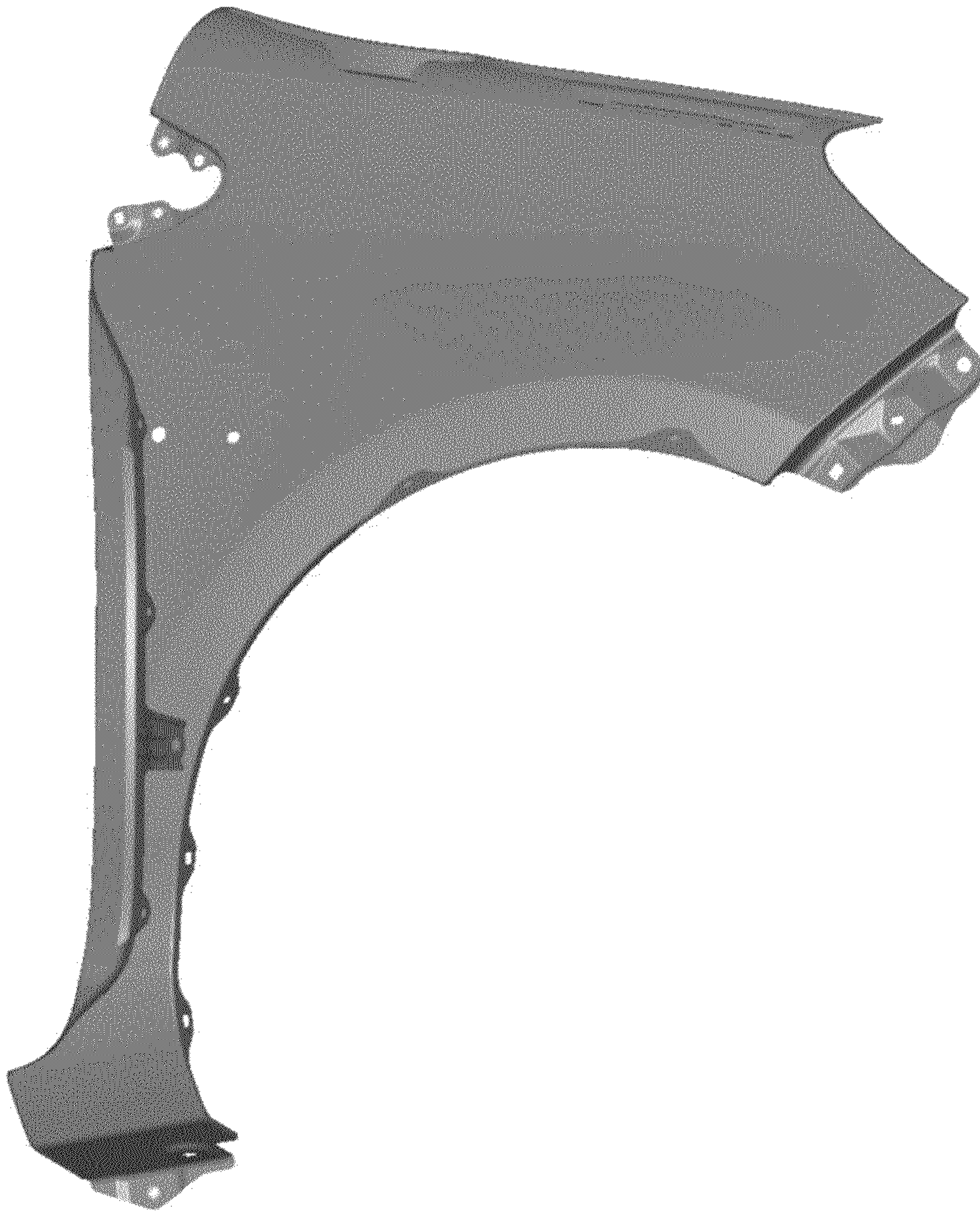


FIG. 8