



US00D660209S

(12) **United States Design Patent**
Merriman

(10) **Patent No.:** **US D660,209 S**

(45) **Date of Patent:** **** May 22, 2012**

(54) **LIGHT MODULE FOR A SIDE MOUNTED REAR VIEW MIRROR OF VEHICLE**

(75) Inventor: **Brian R. Merriman**, Webster Groves, MO (US)

(73) Assignee: **Code 3, Inc.**, St. Louis, MO (US)

(**) Term: **14 Years**

(21) Appl. No.: **29/392,060**

(22) Filed: **May 17, 2011**

(51) **LOC (9) Cl.** **12-16**

(52) **U.S. Cl.** **D12/188**

(58) **Field of Classification Search** D12/187, D12/188-189; D6/300, 309; 359/838, 841, 359/842, 843, 844, 868, 871, 604, 881, 514, 359/866; 248/479-483, 475.1

See application file for complete search history.

(56) **References Cited**

U.S. PATENT DOCUMENTS

1,602,094 A	10/1926	Badding
1,874,027 A	8/1932	Condon
2,010,138 A	8/1935	Condon
5,017,903 A	5/1991	Krippelz
5,660,457 A	8/1997	Lyons
D402,577 S	12/1998	Payne
5,863,116 A	1/1999	Pastrick

(Continued)

OTHER PUBLICATIONS

Whelen Engineering, Mirror-Beam Series Specifications, dated 2010, 2 page brochure.

Primary Examiner — Caron D Veynar

Assistant Examiner — Katrina A Betton

(74) *Attorney, Agent, or Firm* — Senniger Powers LLP

(57) **CLAIM**

The ornamental design for a light module for a side mounted rear view mirror of a vehicle, as shown and described.

DESCRIPTION

FIG. 1 is a perspective of a first embodiment of the light module of my new design;

FIG. 2 is another perspective of the light module of FIG. 1 taken from a different vantage point;

FIG. 3 is a front elevation of the light module of FIG. 1;

FIG. 4 is a rear elevation of the light module of FIG. 1;

FIG. 5 is a top plan of the light module of FIG. 1;

FIG. 6 is a right side elevation of the light module of FIG. 1;

FIG. 7 is a left side elevation view of the light module of FIG. 1;

FIG. 8 is a bottom plan of the light module of FIG. 1;

FIG. 9 is a perspective view of a second embodiment of the light module of my new design;

FIG. 10 is another perspective of the light module of FIG. 9 taken from a different vantage point;

FIG. 11 is a front elevation of the light module of FIG. 9;

FIG. 12 is a rear elevation of the light module of FIG. 9;

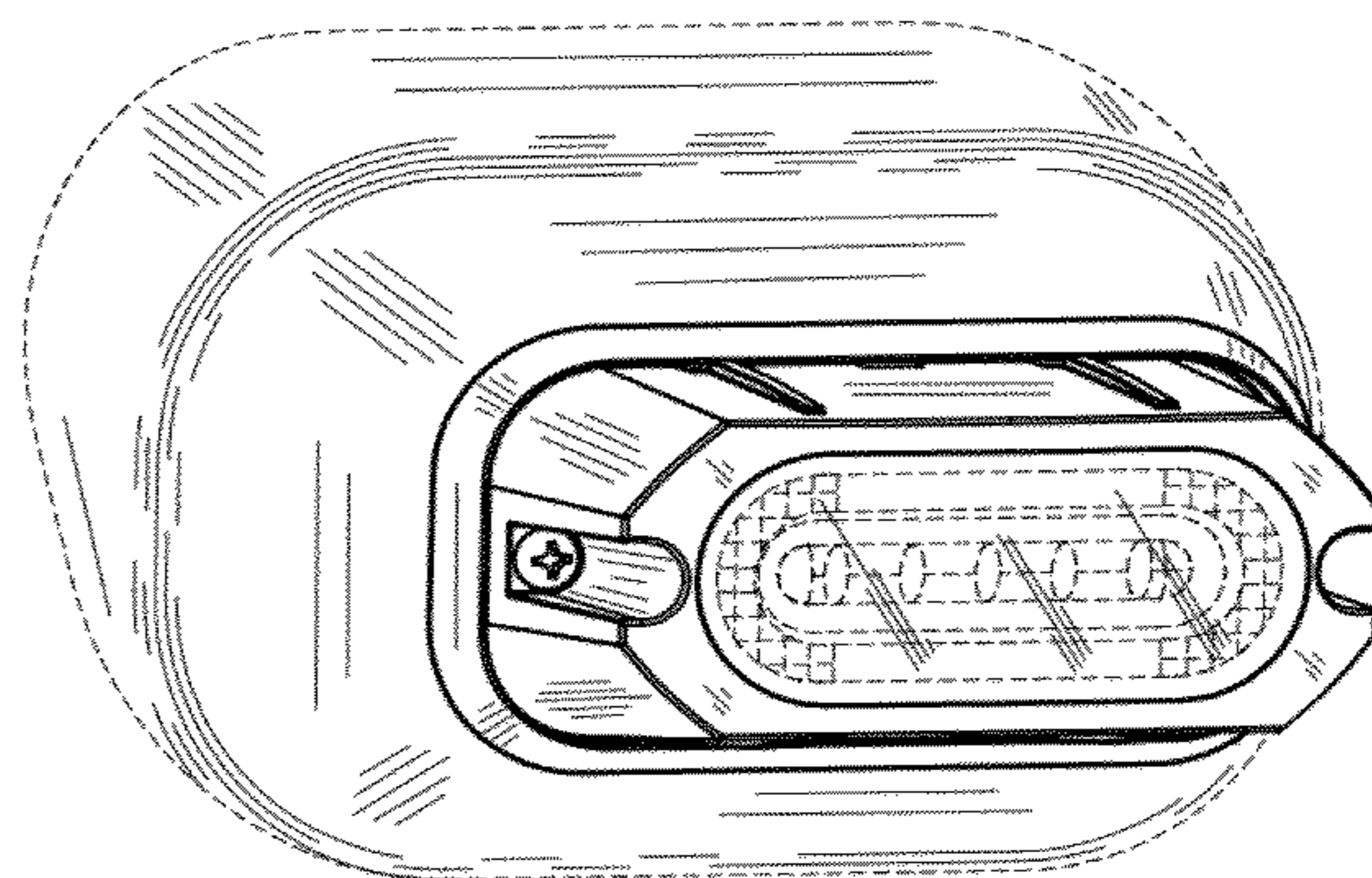
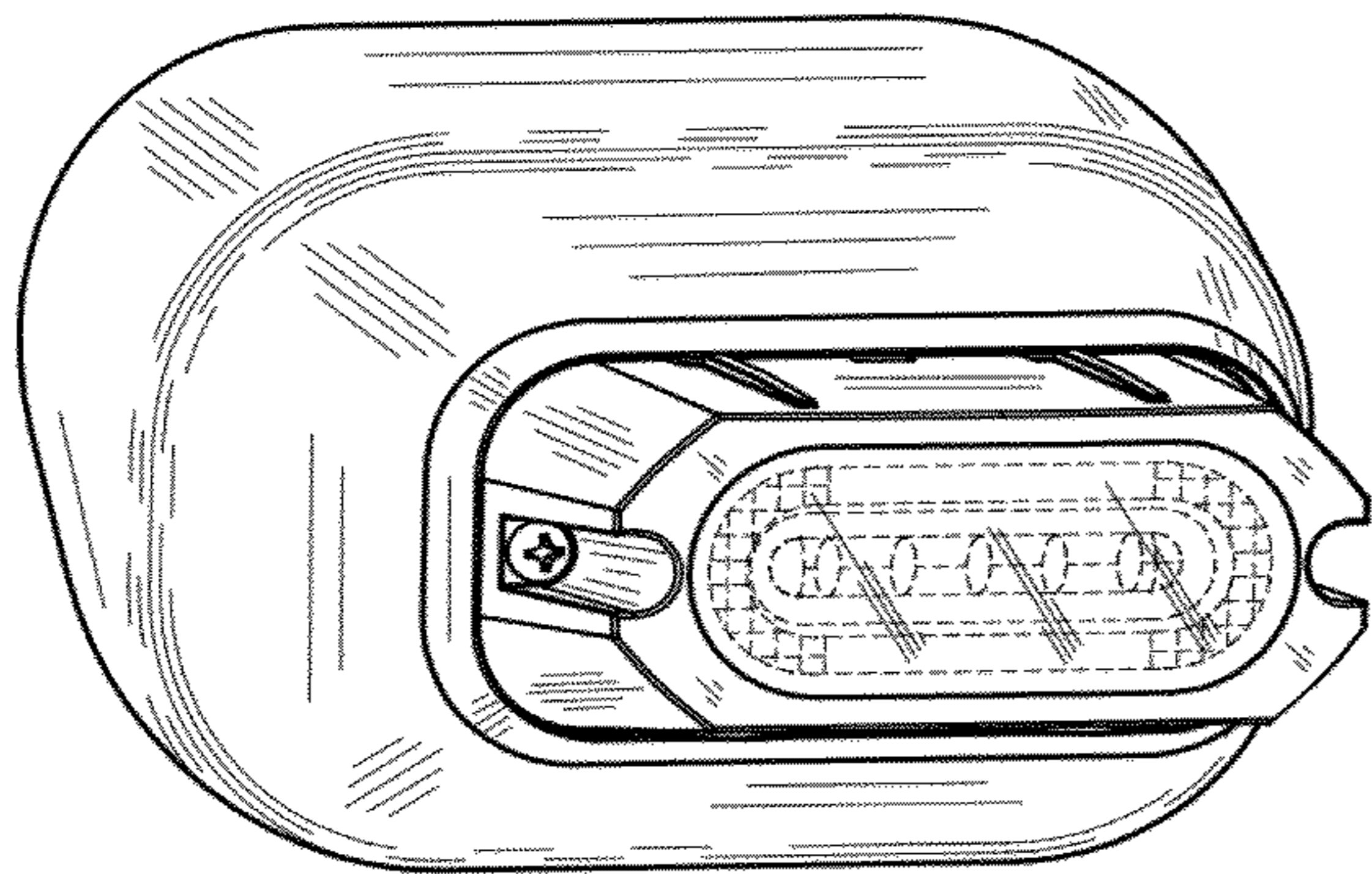
FIG. 13 is a top plan of the light module of FIG. 9;

FIG. 14 is a right side elevation of the light module of FIG. 9;

FIG. 15 is a left side elevation view of the light module of FIG. 9; and,

FIG. 16 is a bottom plan of the light module of FIG. 9.

1 Claim, 16 Drawing Sheets



US D660,209 S

Page 2

U.S. PATENT DOCUMENTS

5,892,438	A	4/1999	Vaughn	D615,915	S	*	5/2010	Lamm	D12/187
5,938,322	A	8/1999	Alonzo	D619,065	S	*	7/2010	Bennett et al.	D12/187
6,049,271	A	4/2000	Chu	D619,946	S	*	7/2010	Lamm	D12/187
D443,938	S	6/2001	Lyons	D629,738	S		12/2010	Cornista		
6,250,783	B1	6/2001	Stidham	7,850,350	B2		12/2010	Weller		
6,325,121	B1	12/2001	Hudnall	2008/0316627	A1	*	12/2008	Shinohara	359/871
6,811,269	B2	11/2004	Strode	2010/0264289	A1	*	10/2010	Schmierer	248/475.1
7,104,662	B2	9/2006	Kawanishi	2010/0302792	A1	*	12/2010	Pastrick et al.	362/494
7,278,767	B2	10/2007	Takahashi	2011/0157734	A1	*	6/2011	Muller et al.	359/871
7,334,925	B2	2/2008	Pastrick et al.						
7,686,487	B2	3/2010	Takahashi	2011/0194201	A1	*	8/2011	Muramatsu	359/871

* cited by examiner

FIG. 1

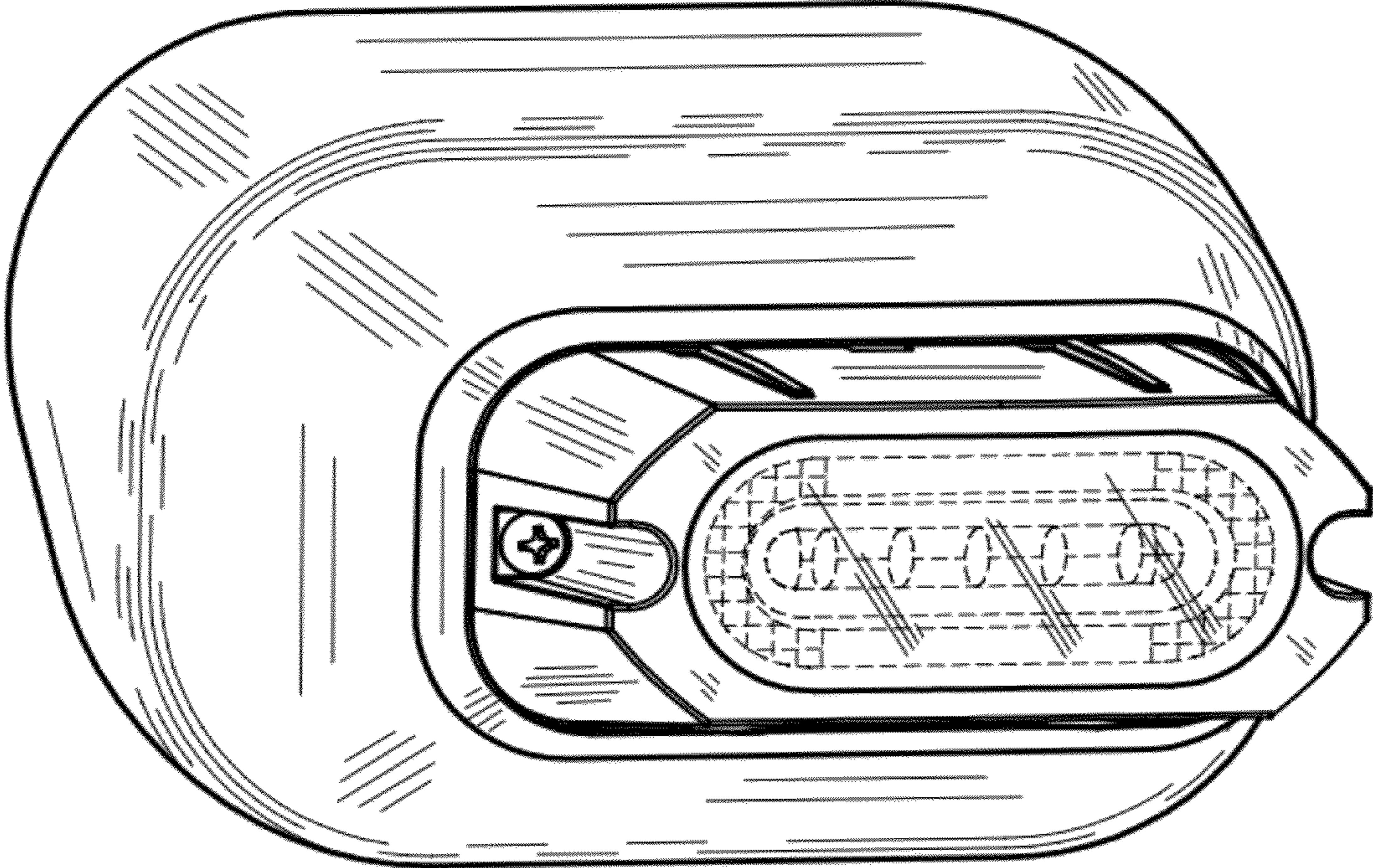


FIG. 2

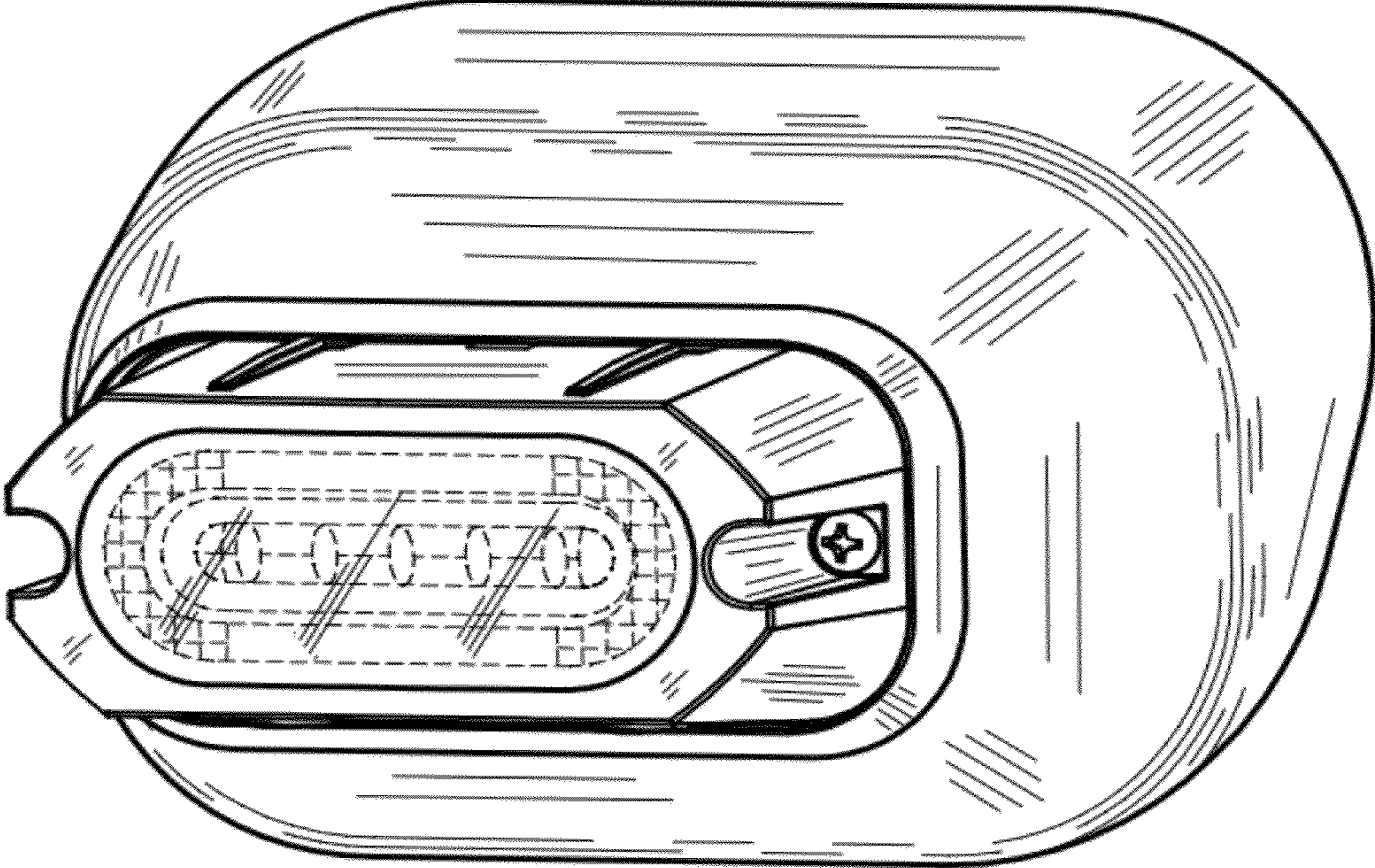


FIG. 3

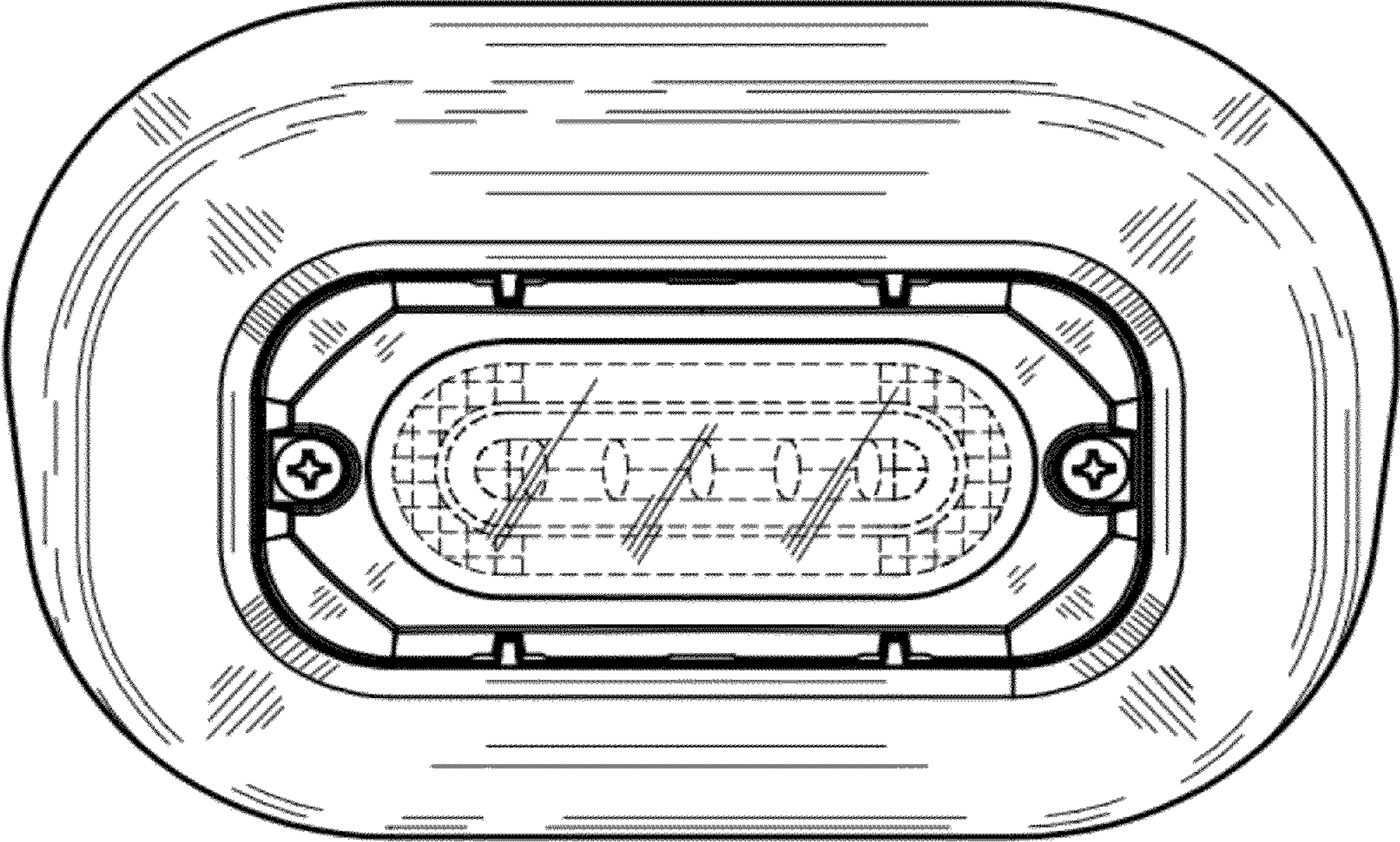


FIG. 4

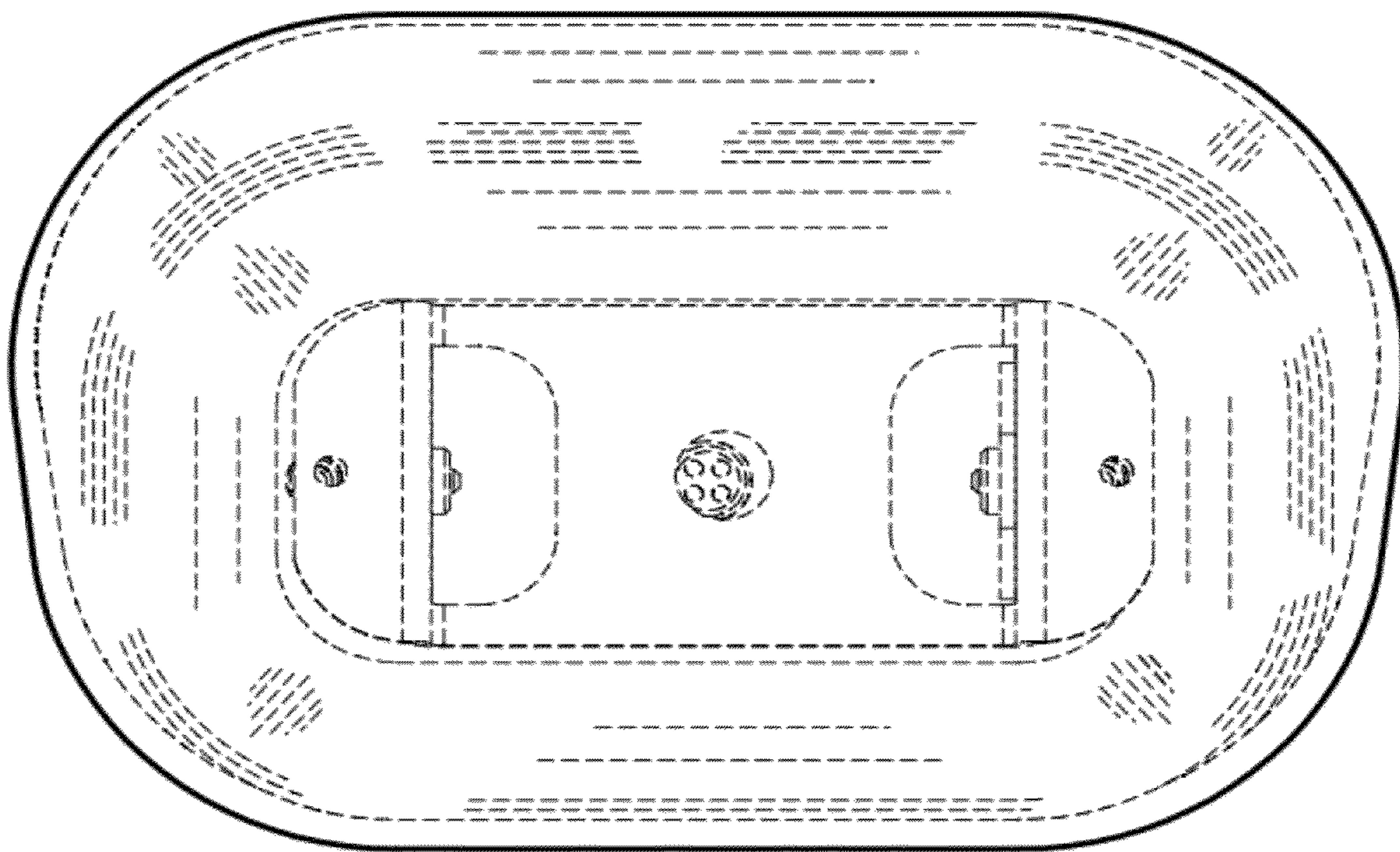


FIG. 5

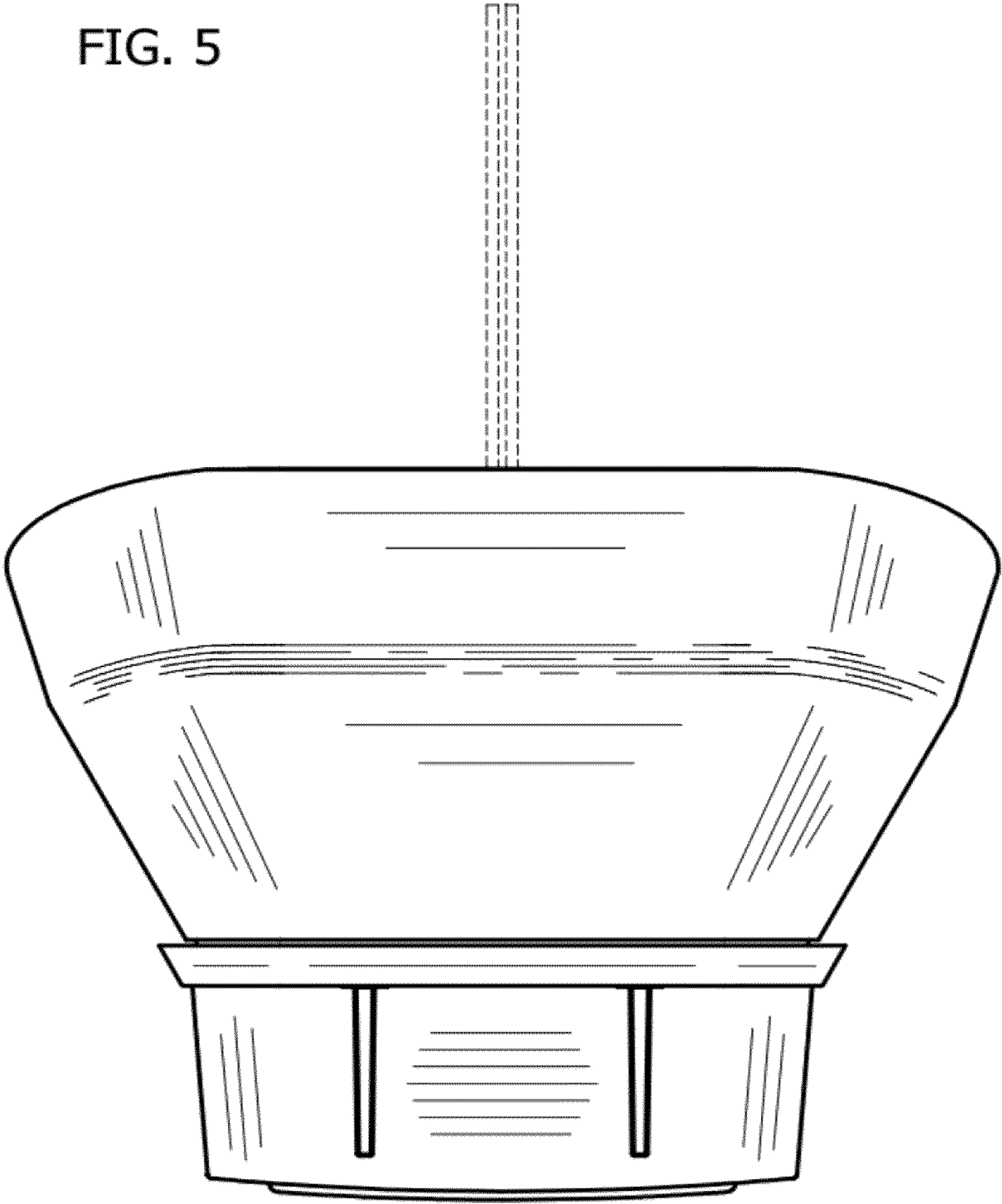
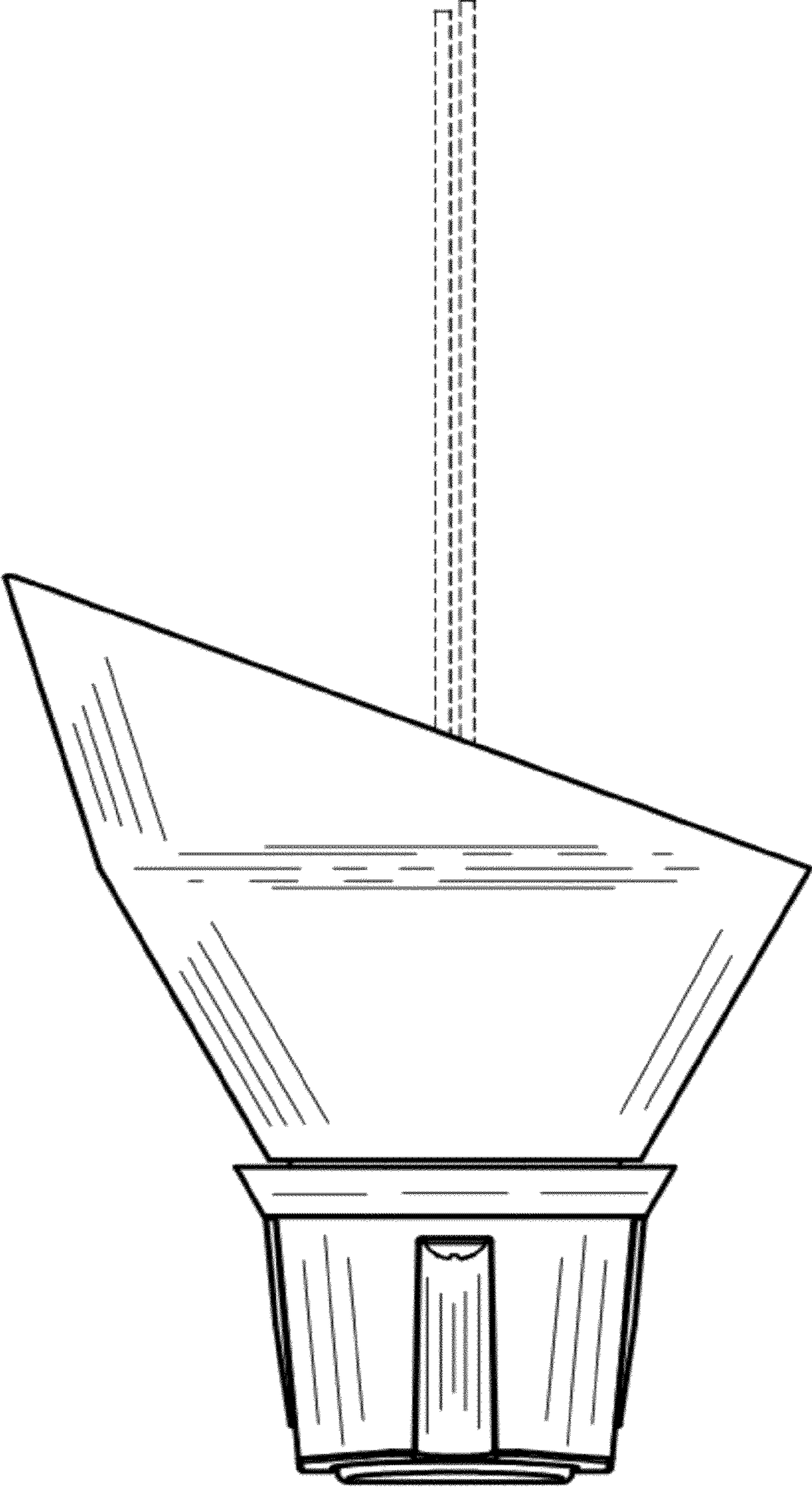


FIG. 6



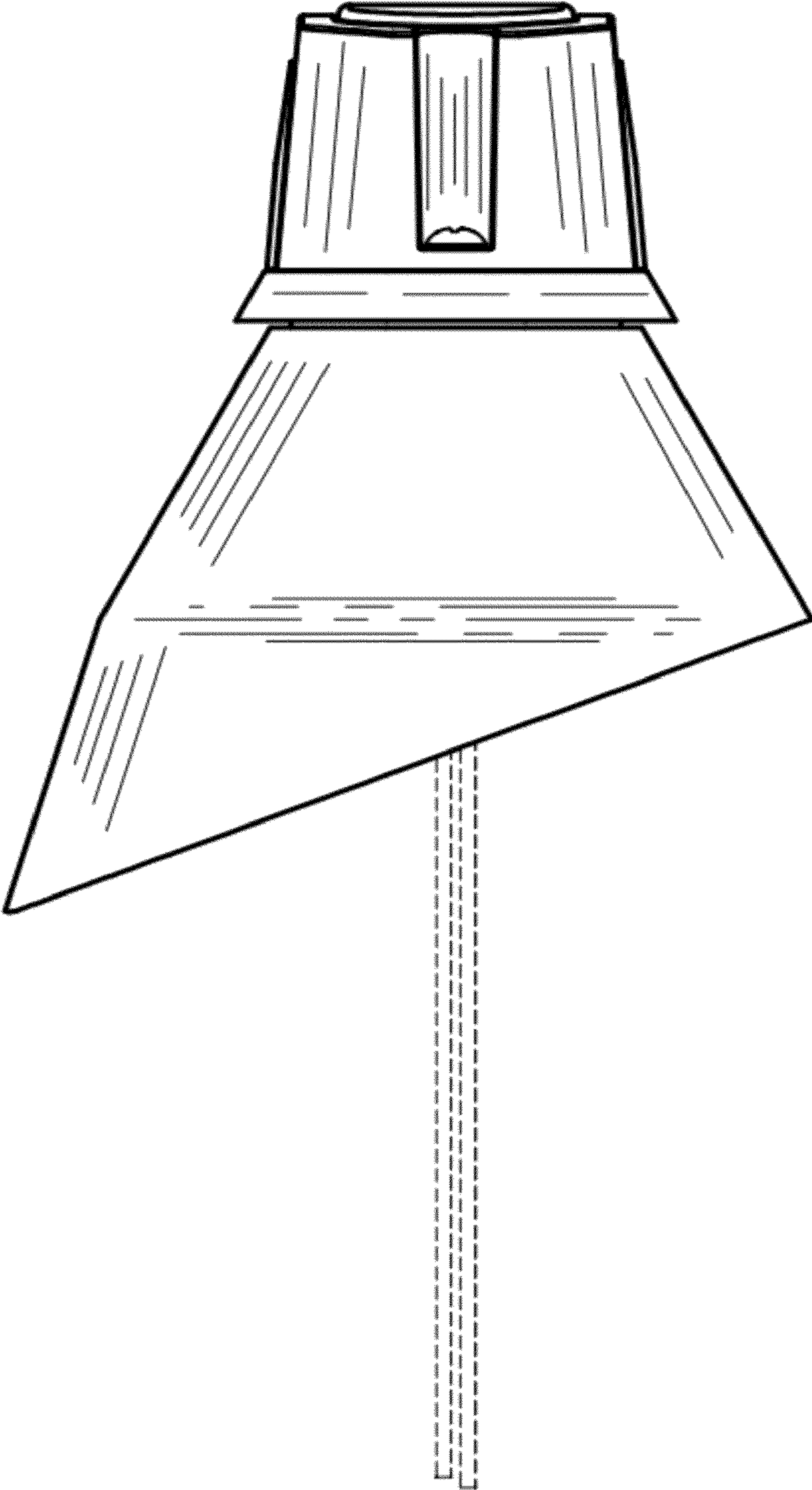


FIG. 7

FIG. 8

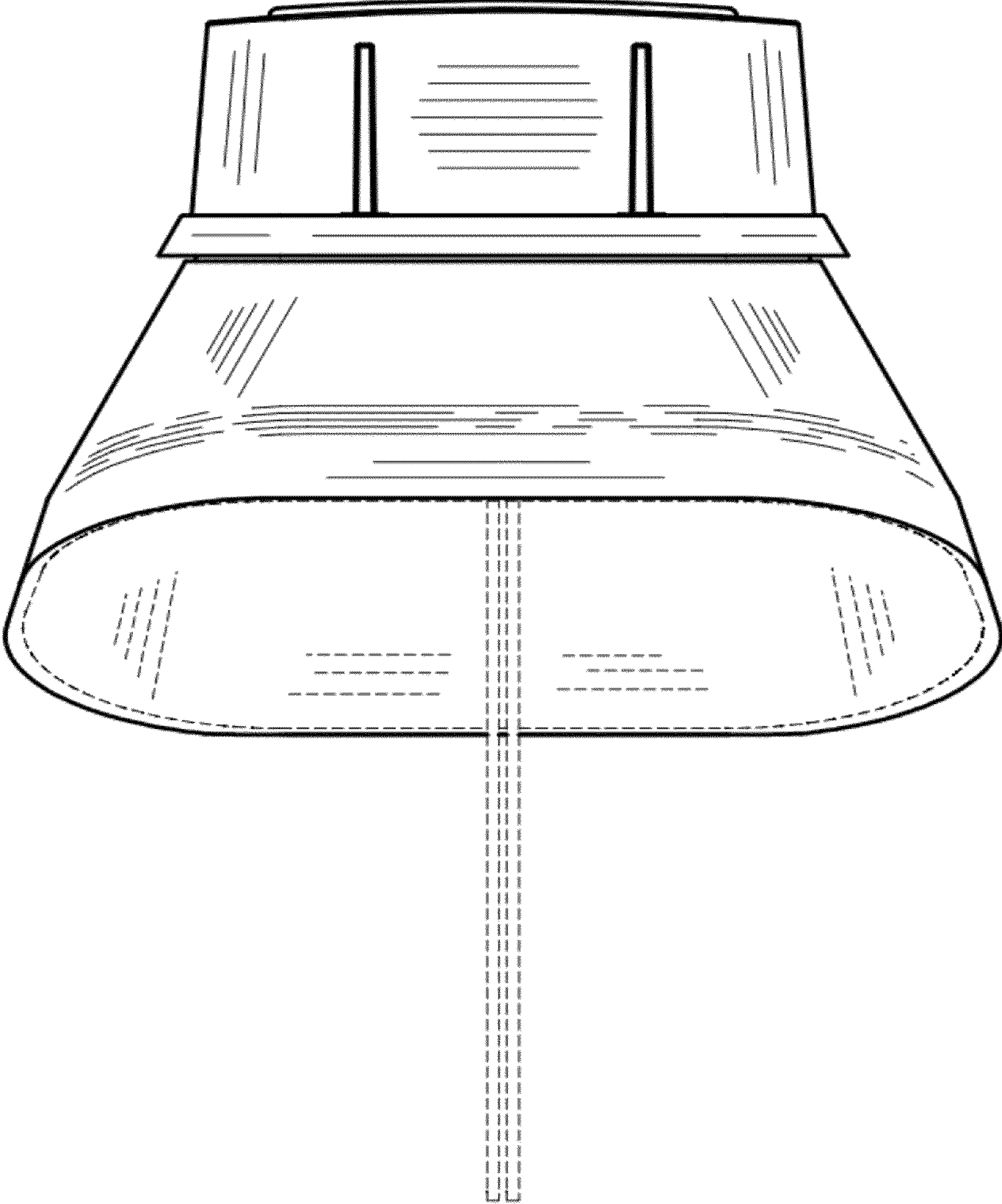


FIG. 9

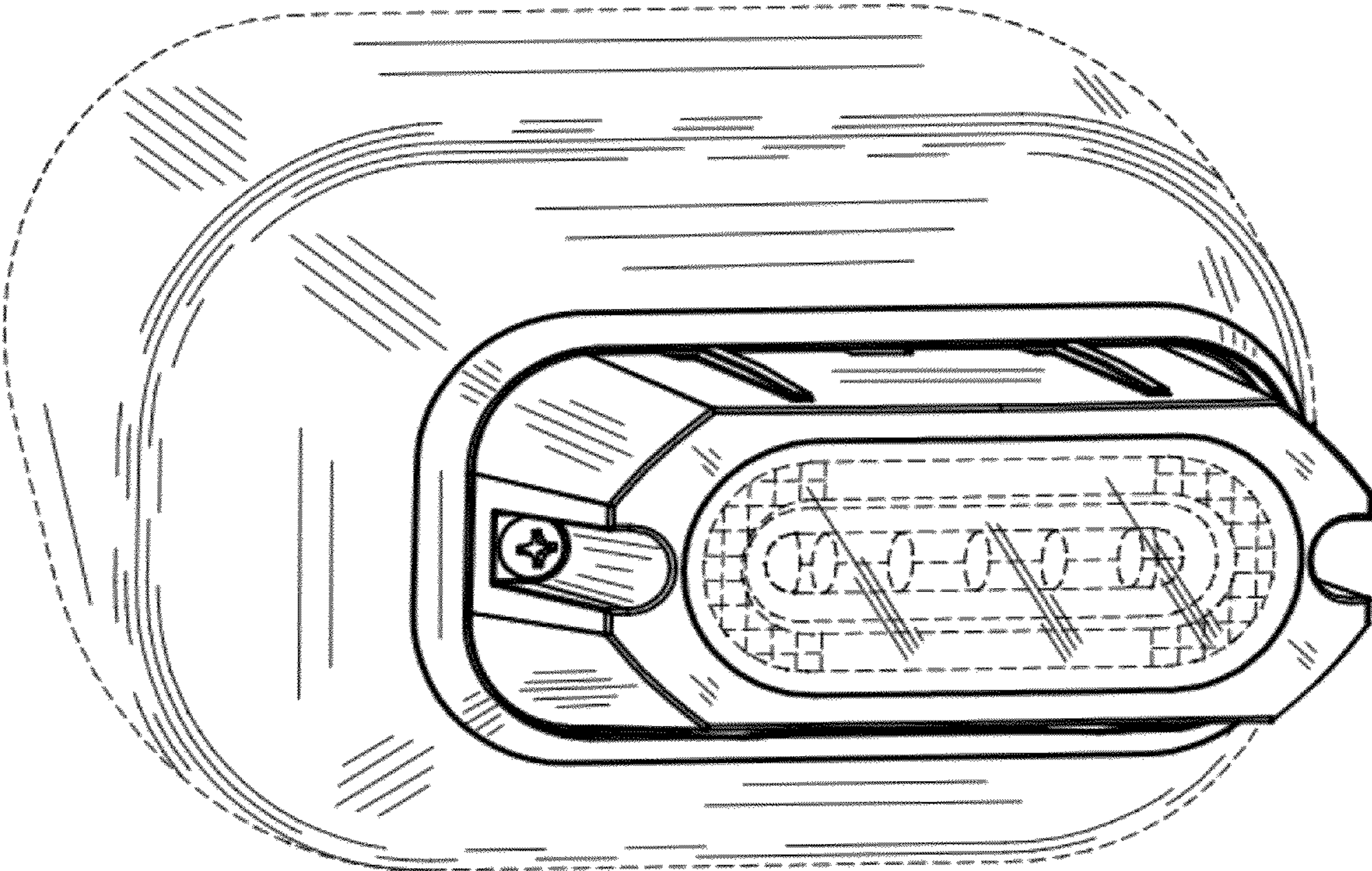


FIG. 10

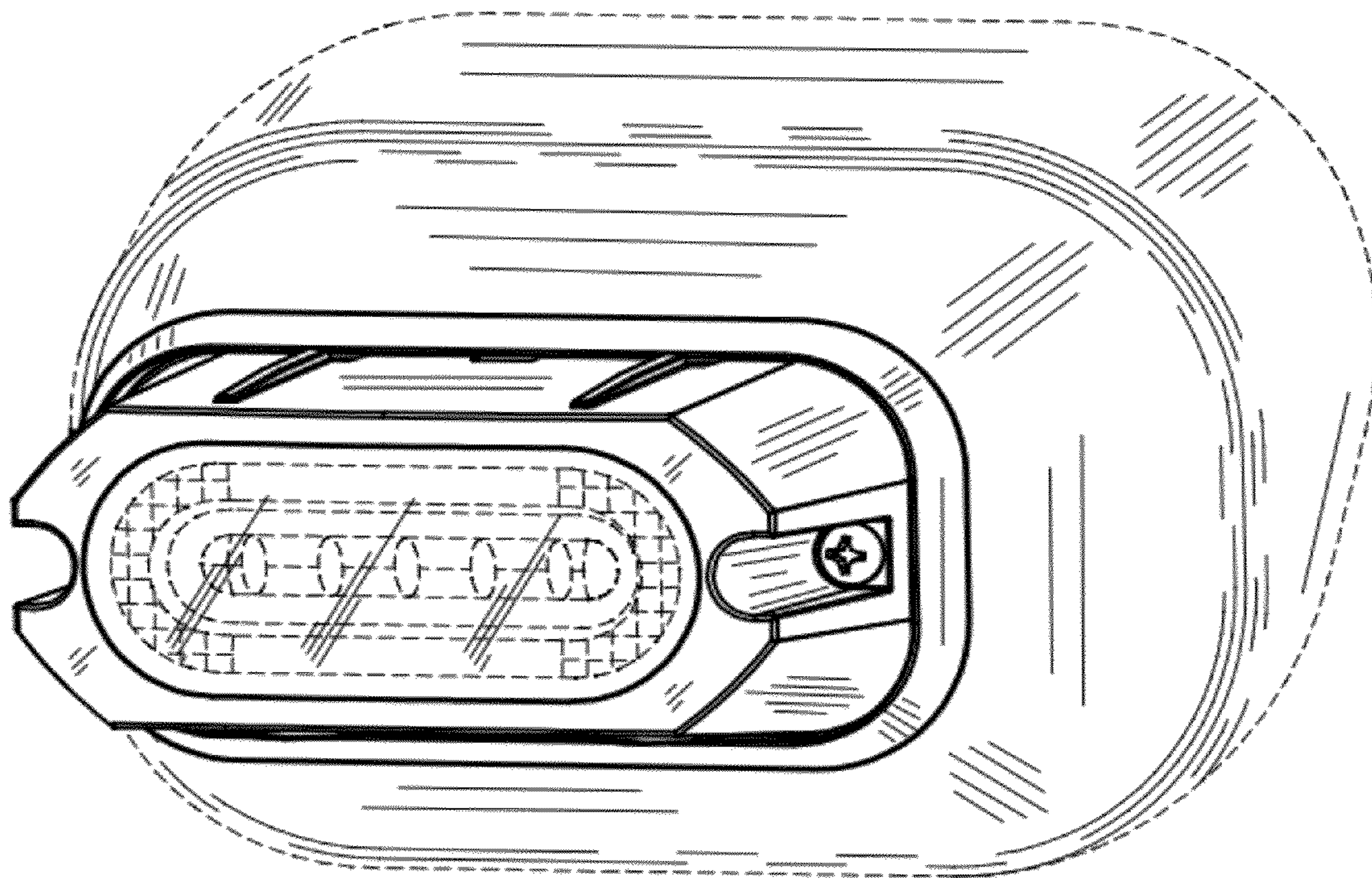


FIG. 11

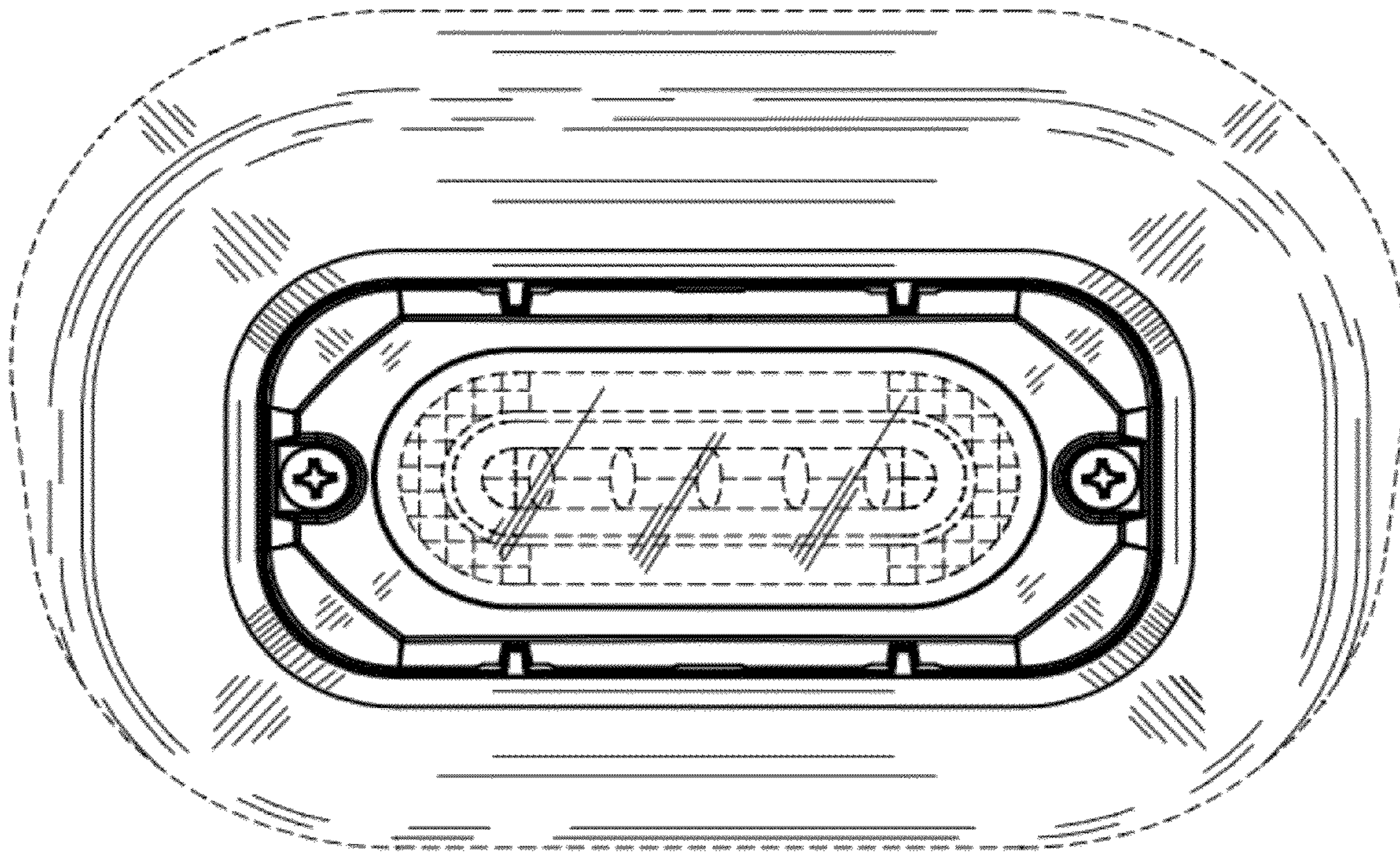


FIG. 12

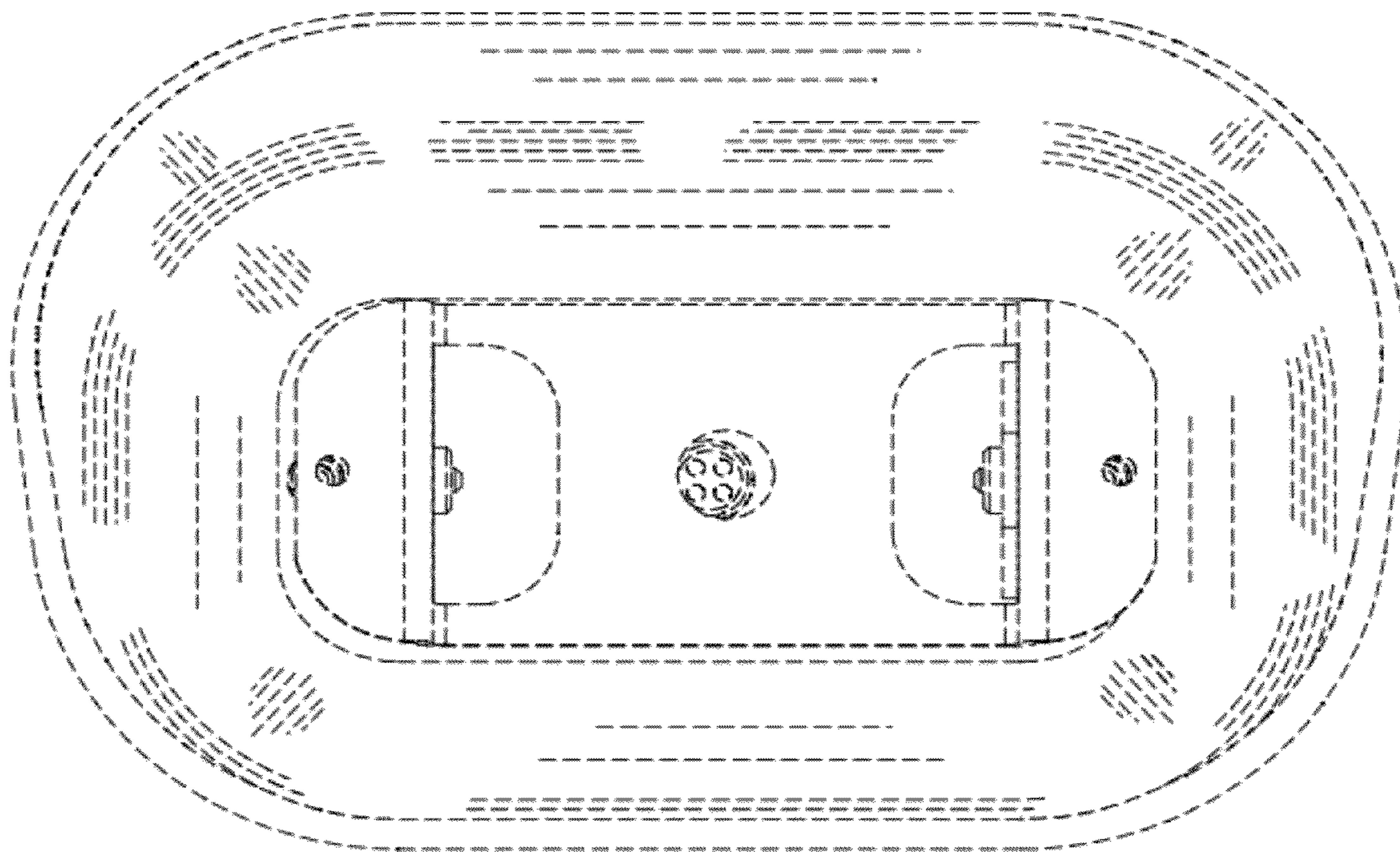


FIG. 13

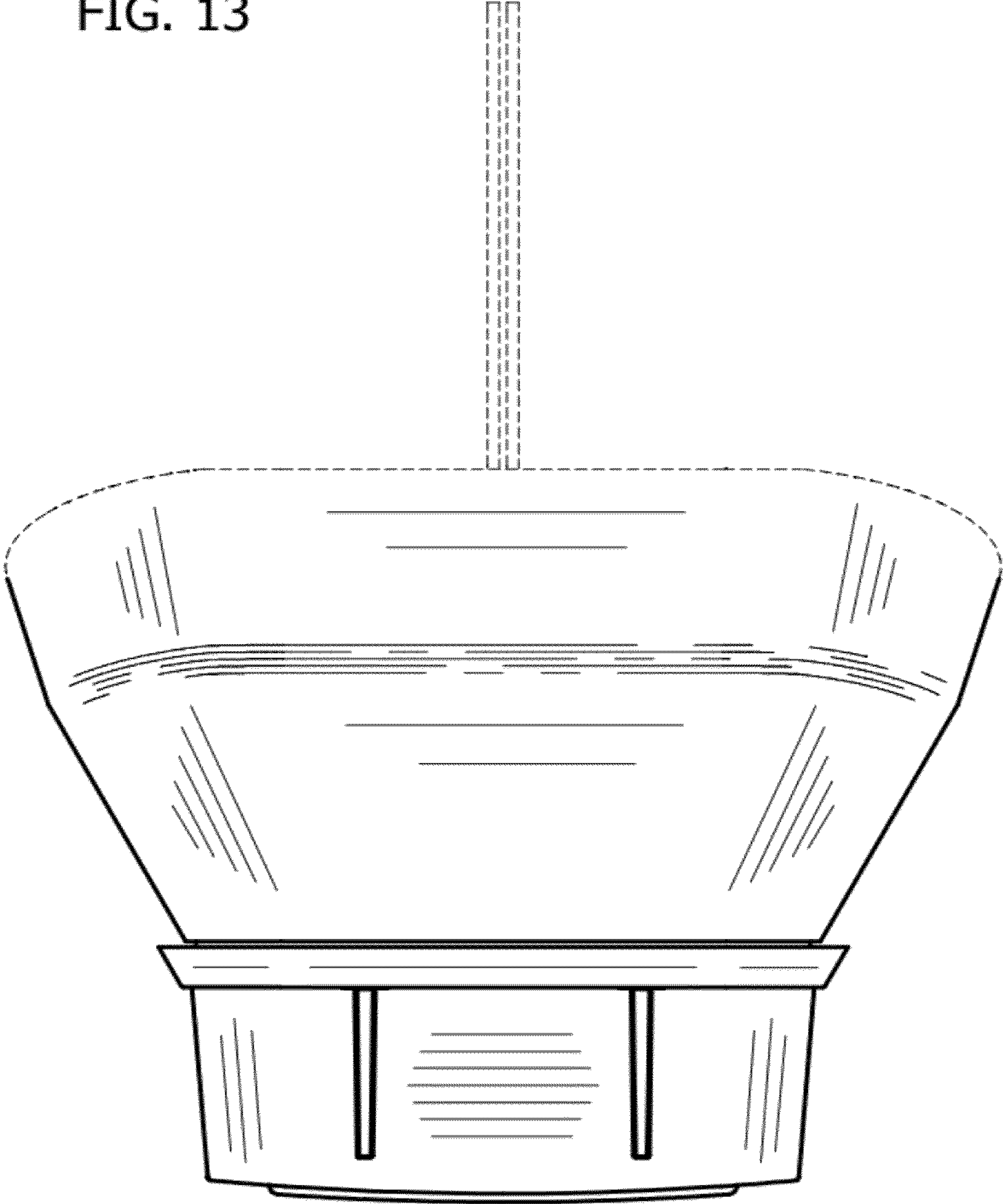
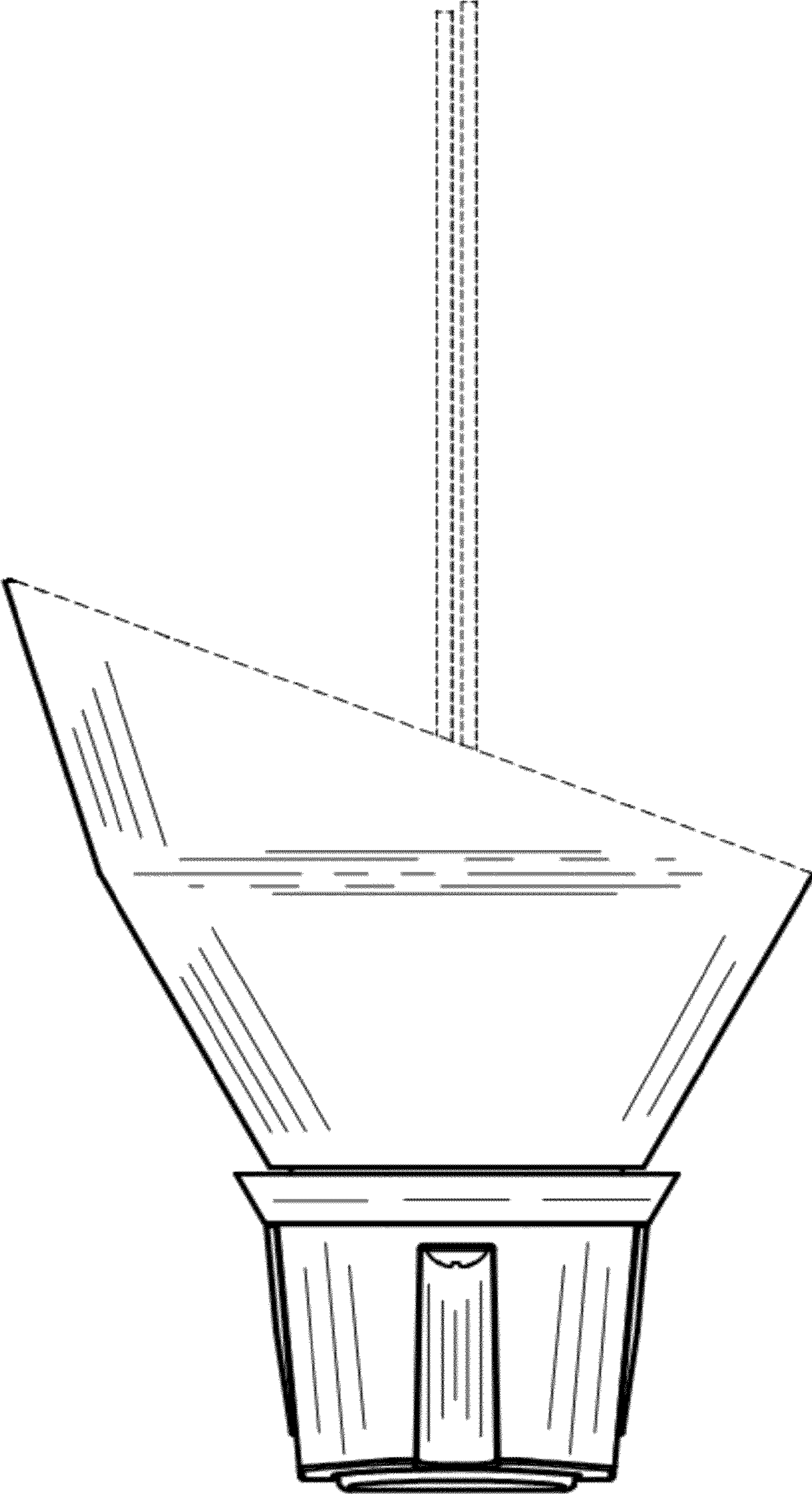


FIG. 14



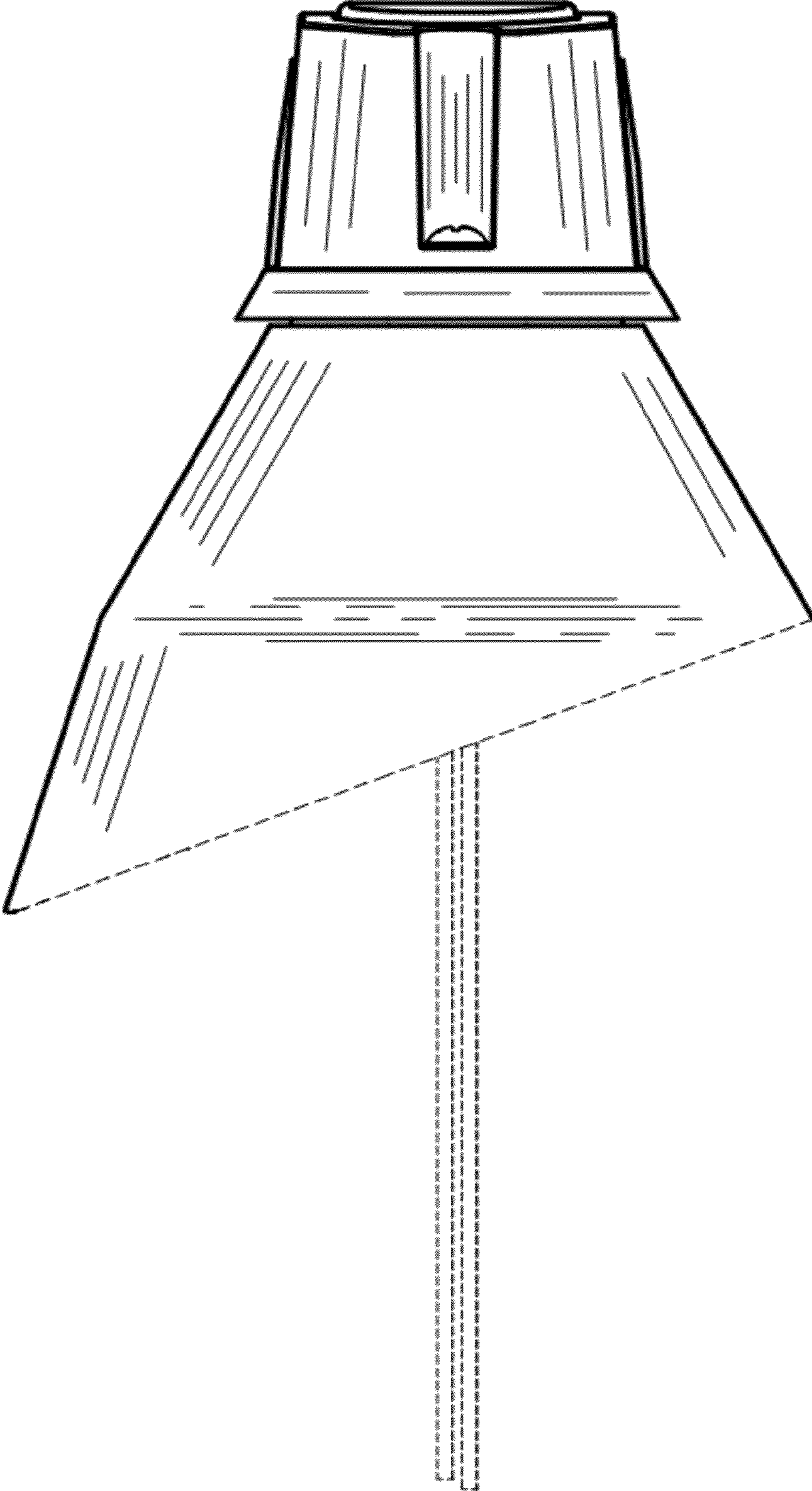


FIG. 15

FIG. 16

