



US00D660198S

(12) **United States Design Patent**  
**Wanibuchi et al.**

(10) **Patent No.:** **US D660,198 S**

(45) **Date of Patent:** **\*\* May 22, 2012**

(54) **CLIP FOR A WRISTBAND**

(75) Inventors: **Hiroshi Wanibuchi**, Matsumoto (JP);  
**Masaru Tejima**, Nagareyama (JP);  
**Satoshi Koizumi**, Shiojiri (JP)

(73) Assignee: **Seiko Epson Corporation**, Tokyo (JP)

(\*\*) Term: **14 Years**

(21) Appl. No.: **29/381,158**

(22) Filed: **Dec. 16, 2010**

(30) **Foreign Application Priority Data**

Jul. 8, 2010 (JP) ..... 2010-016685

(51) **LOC (9) Cl.** ..... **02-07**

(52) **U.S. Cl.** ..... **D11/220**

(58) **Field of Classification Search** ..... D11/5,  
D11/200-231; 24/623, 697.2, 688-690,  
24/662, 381, 385, 713.8; 63/20; D8/380,  
D8/382-383, 356; D24/129, 146  
See application file for complete search history.

(56) **References Cited**

**U.S. PATENT DOCUMENTS**

D383,414 S *	9/1997	McDonough	.....	D11/220
D411,478 S *	6/1999	Kenagy	.....	D11/220
D439,147 S *	3/2001	Kenagy	.....	D8/382
D465,843 S *	11/2002	Guala	.....	D24/129
D519,052 S *	4/2006	Watanabe	.....	D11/5
D529,374 S *	10/2006	Watanabe	.....	D8/395
D584,186 S *	1/2009	Levin	.....	D11/226
D593,680 S *	6/2009	Hafele et al.	.....	D24/143

**FOREIGN PATENT DOCUMENTS**

JP	1144936	6/2002
JP	1164998	2/2003
JP	1215846	8/2004
JP	1216699	9/2004

\* cited by examiner

*Primary Examiner* — T. Chase Nelson

*Assistant Examiner* — Mark Cavanna

(57) **CLAIM**

The ornamental design for a clip for a wristband, as shown and described.

**DESCRIPTION**

FIG. 1 is a top, front and right side perspective view of a clip for a wristband showing our new design;

FIG. 2 is a bottom, rear and left side perspective view thereof;

FIG. 3 is a front view thereof;

FIG. 4 is a rear view thereof;

FIG. 5 is a top plan view thereof;

FIG. 6 is a bottom plan view thereof;

FIG. 7 is a right side elevational view thereof;

FIG. 8 is a left side elevational view thereof;

FIG. 9 is a cross-sectional view taken along line 9-9 in FIG. 3;

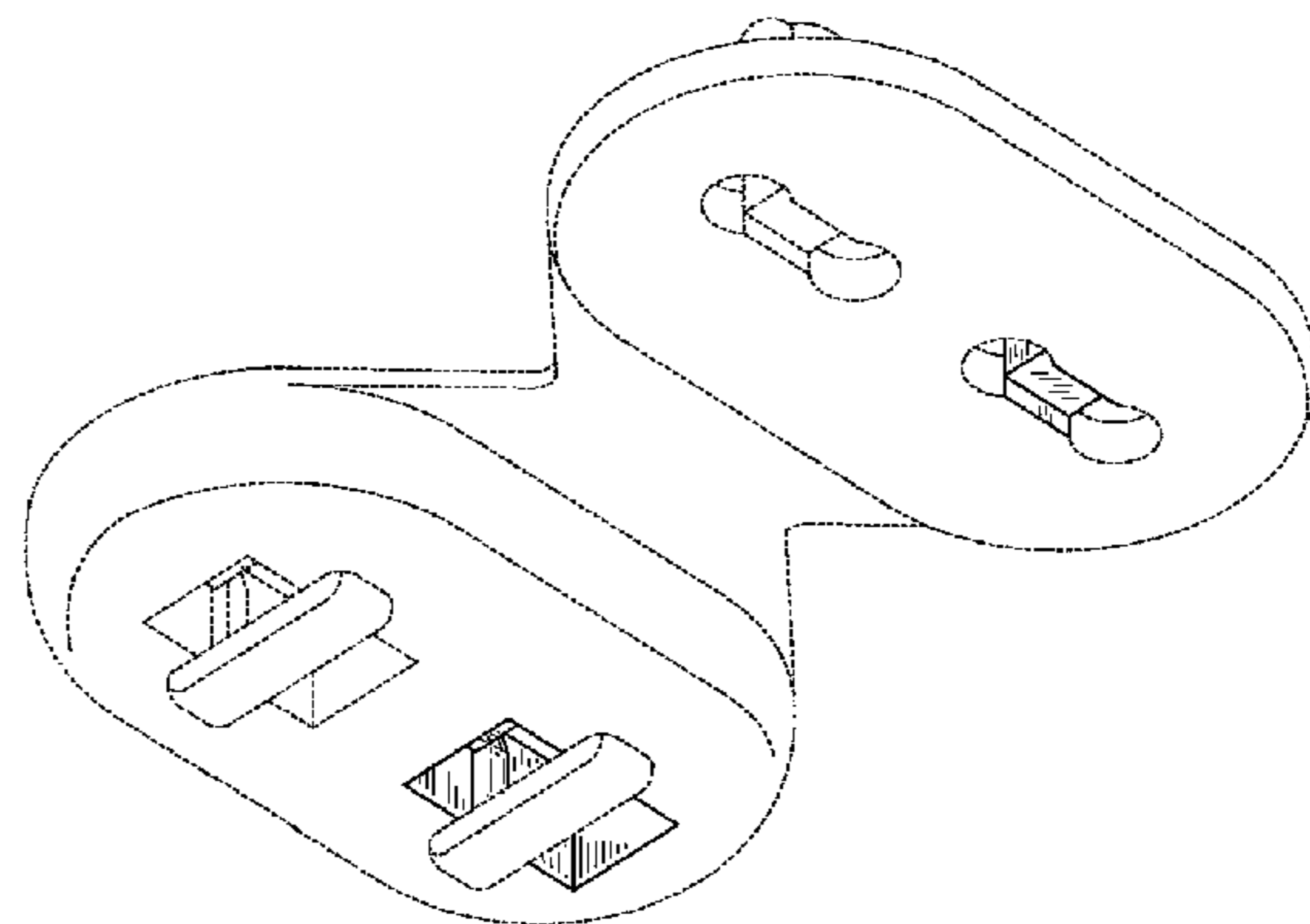
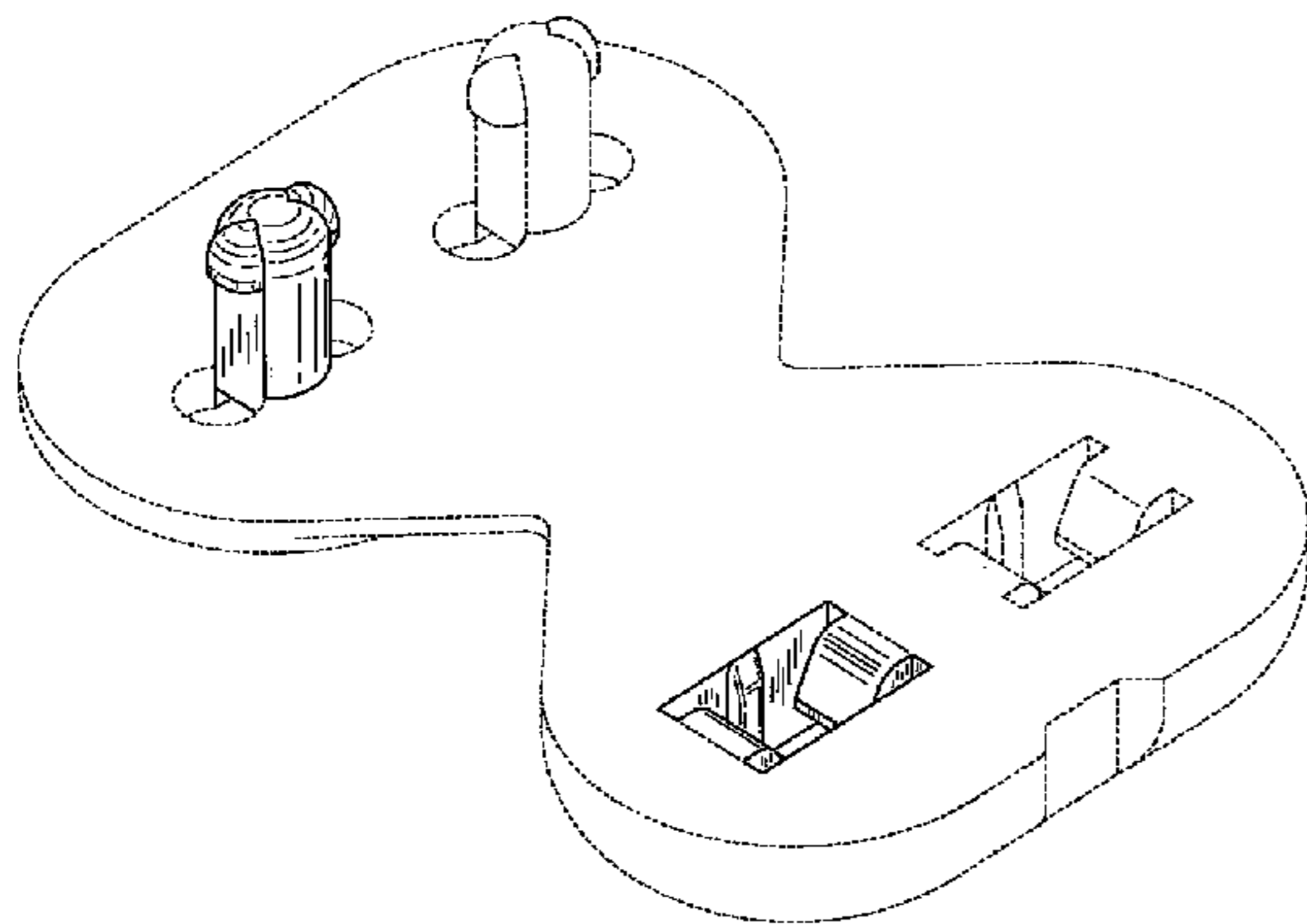
FIG. 10 is a cross-sectional view taken along line 10-10 in FIG. 4;

FIG. 11 is a perspective view showing the article in a closed state; and,

FIG. 12 is a perspective view showing the article attached to a wristband.

The broken lines formed by dashes are shown for illustrative purposes only and form no part of the claimed design. The broken lines formed by a shorter dash between longer dashes define the boundaries of the claimed design but form no part thereof.

**1 Claim, 10 Drawing Sheets**



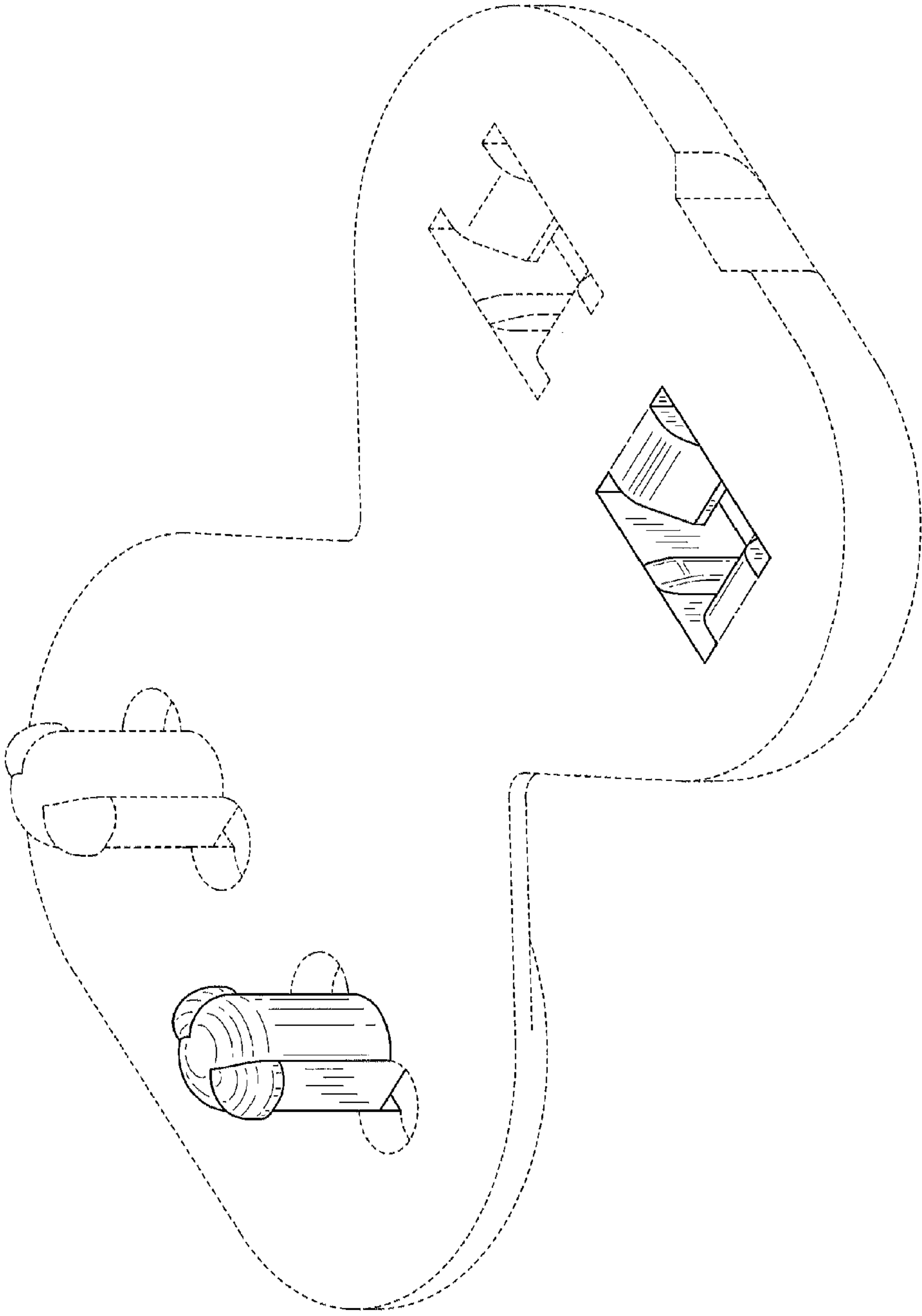


Fig. 1

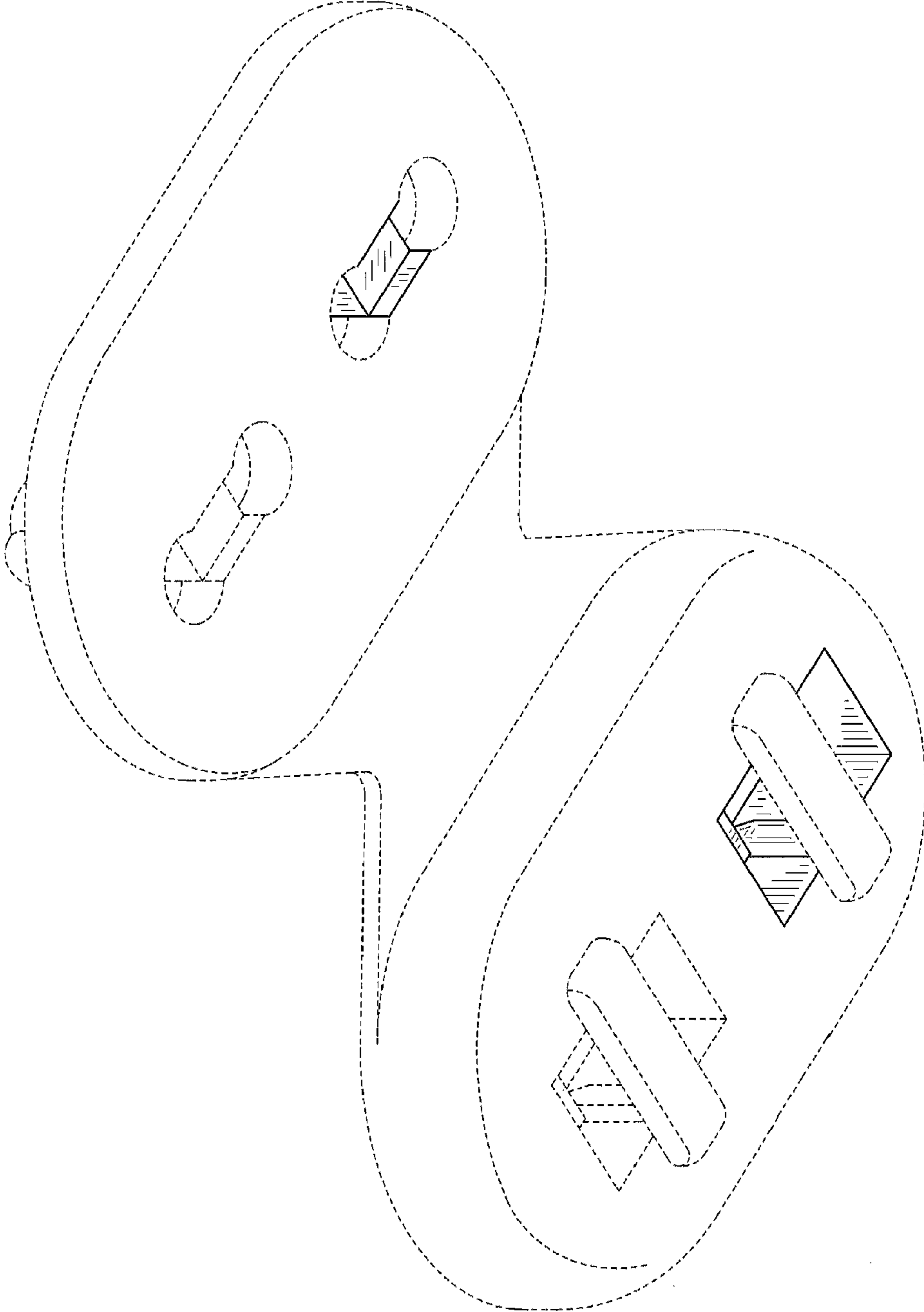


Fig. 2

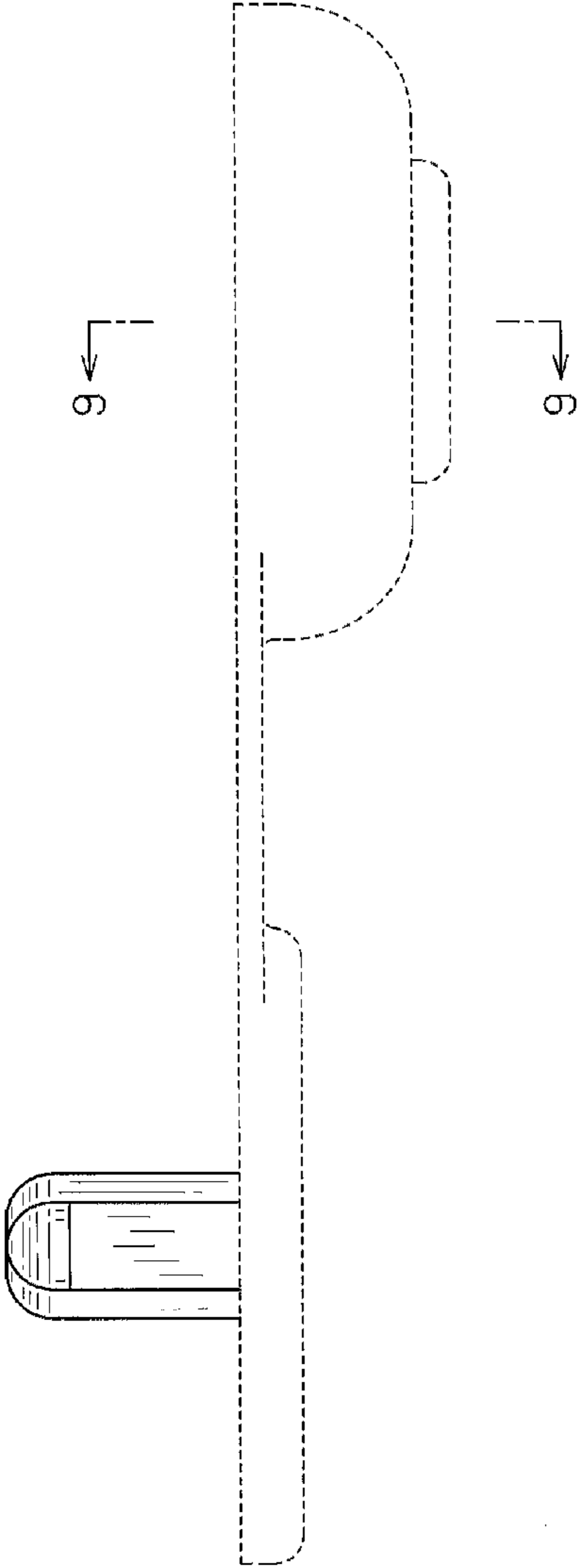


Fig. 3

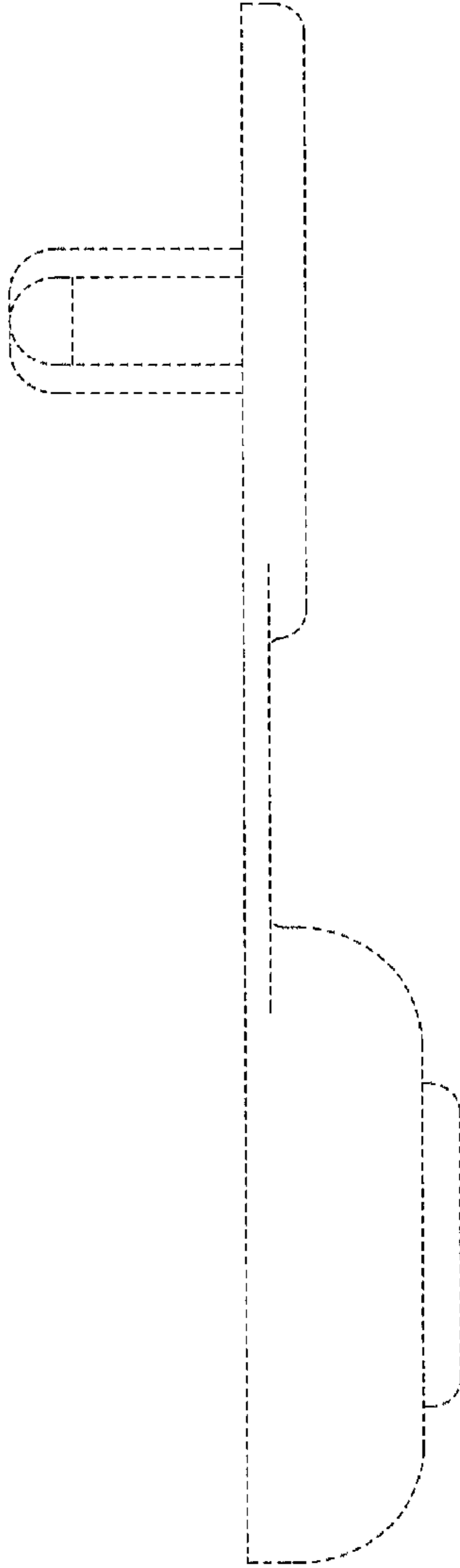


Fig. 4

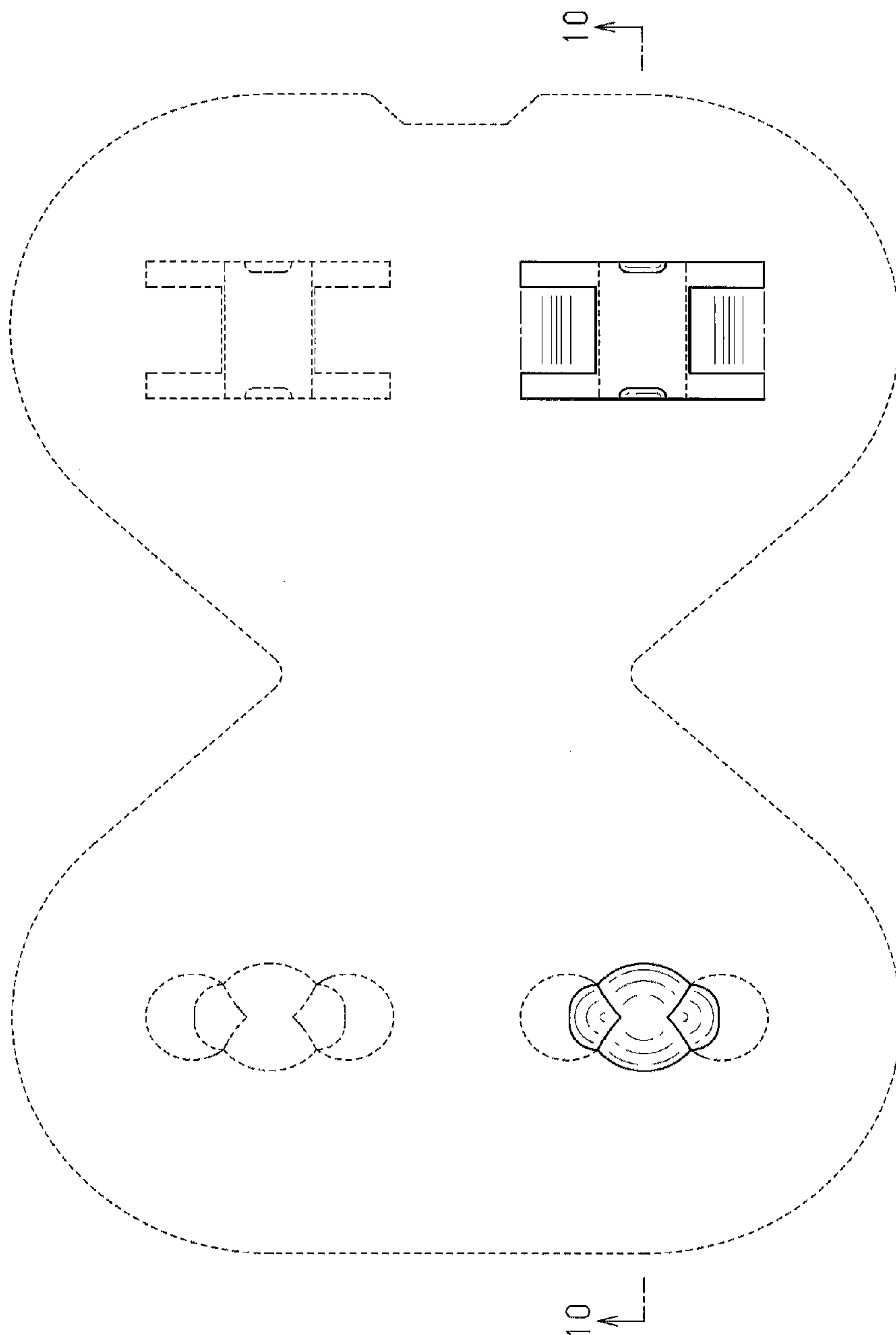


Fig. 5

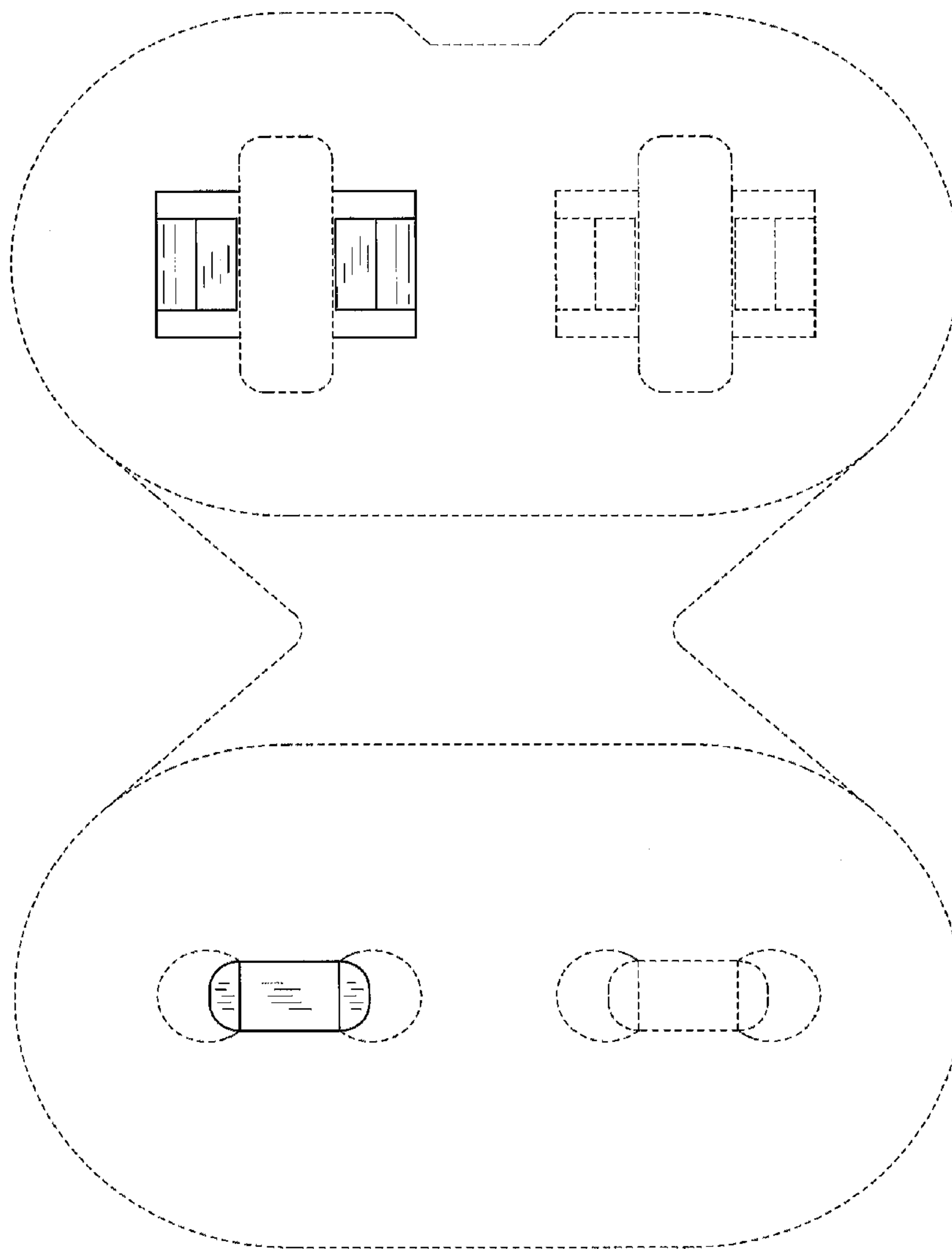
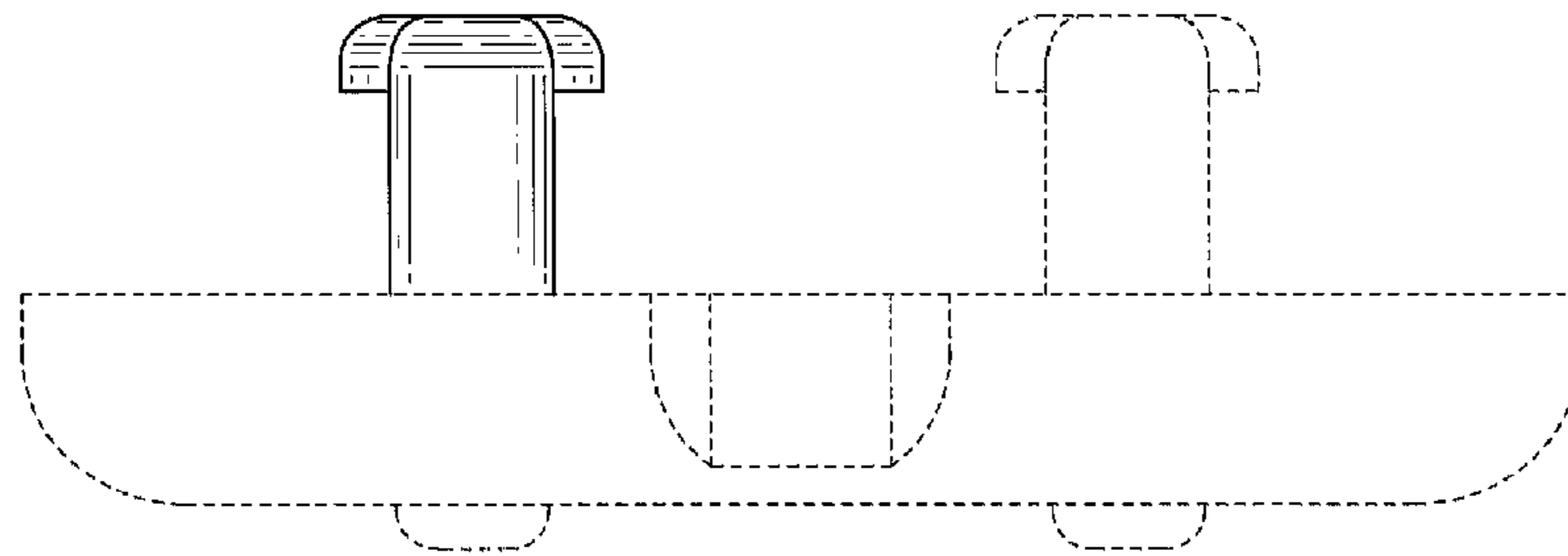
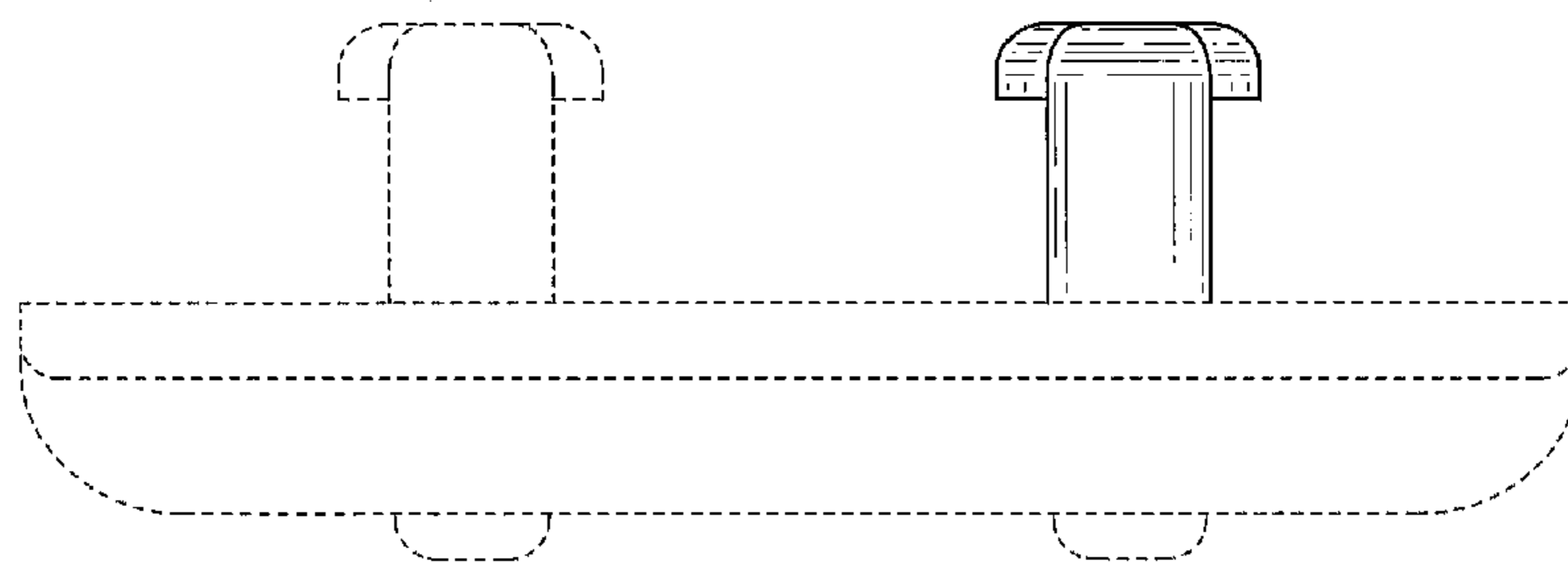


Fig. 6

**Fig. 7**



**Fig. 8**



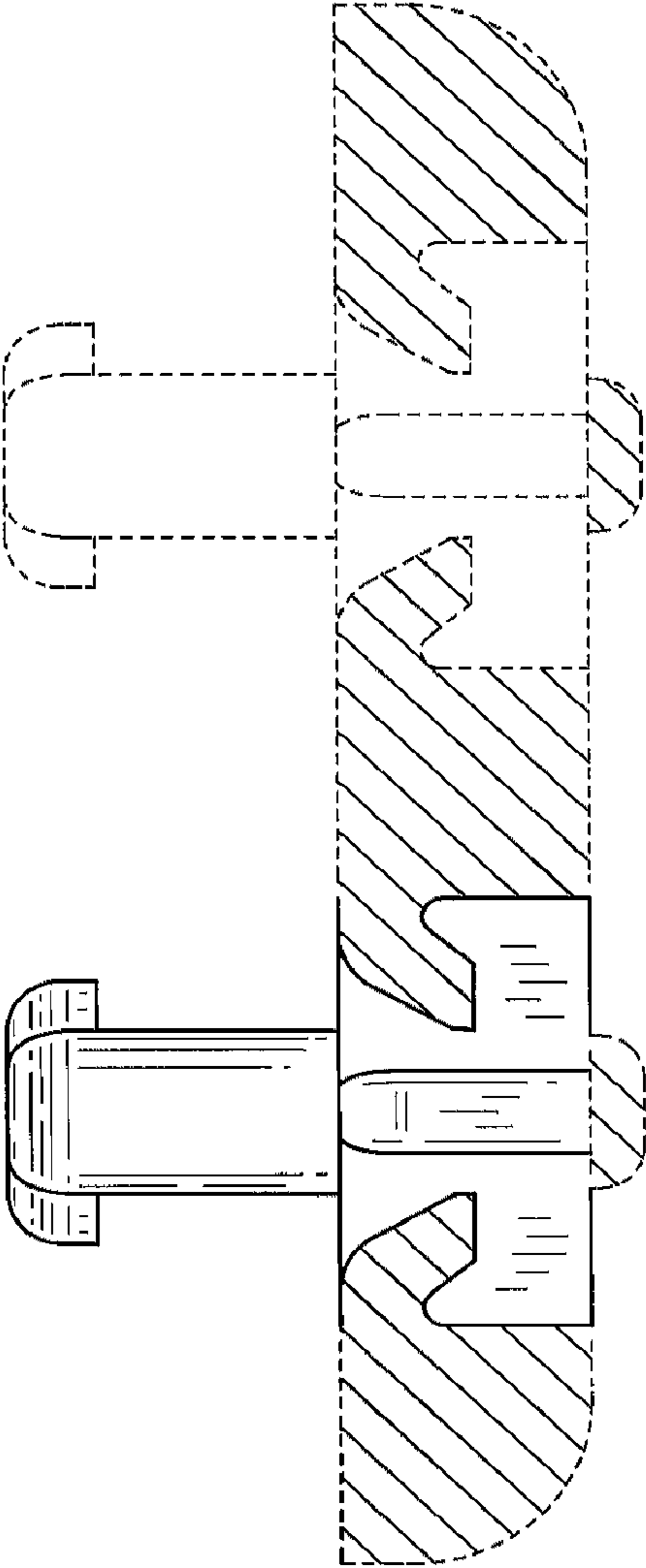


Fig. 9



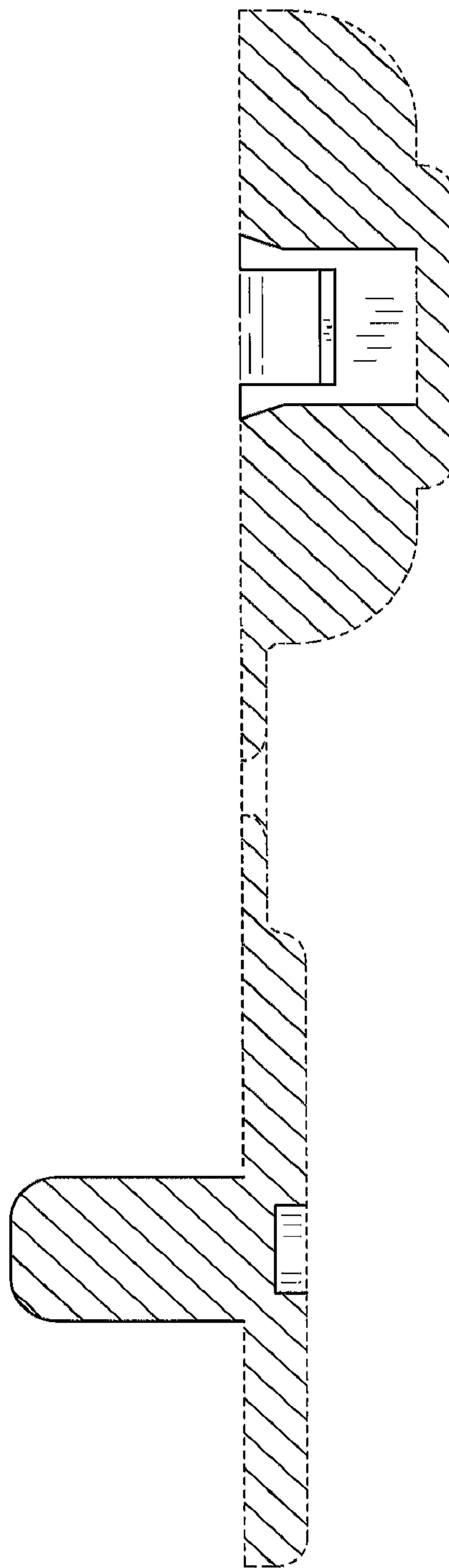


Fig. 10

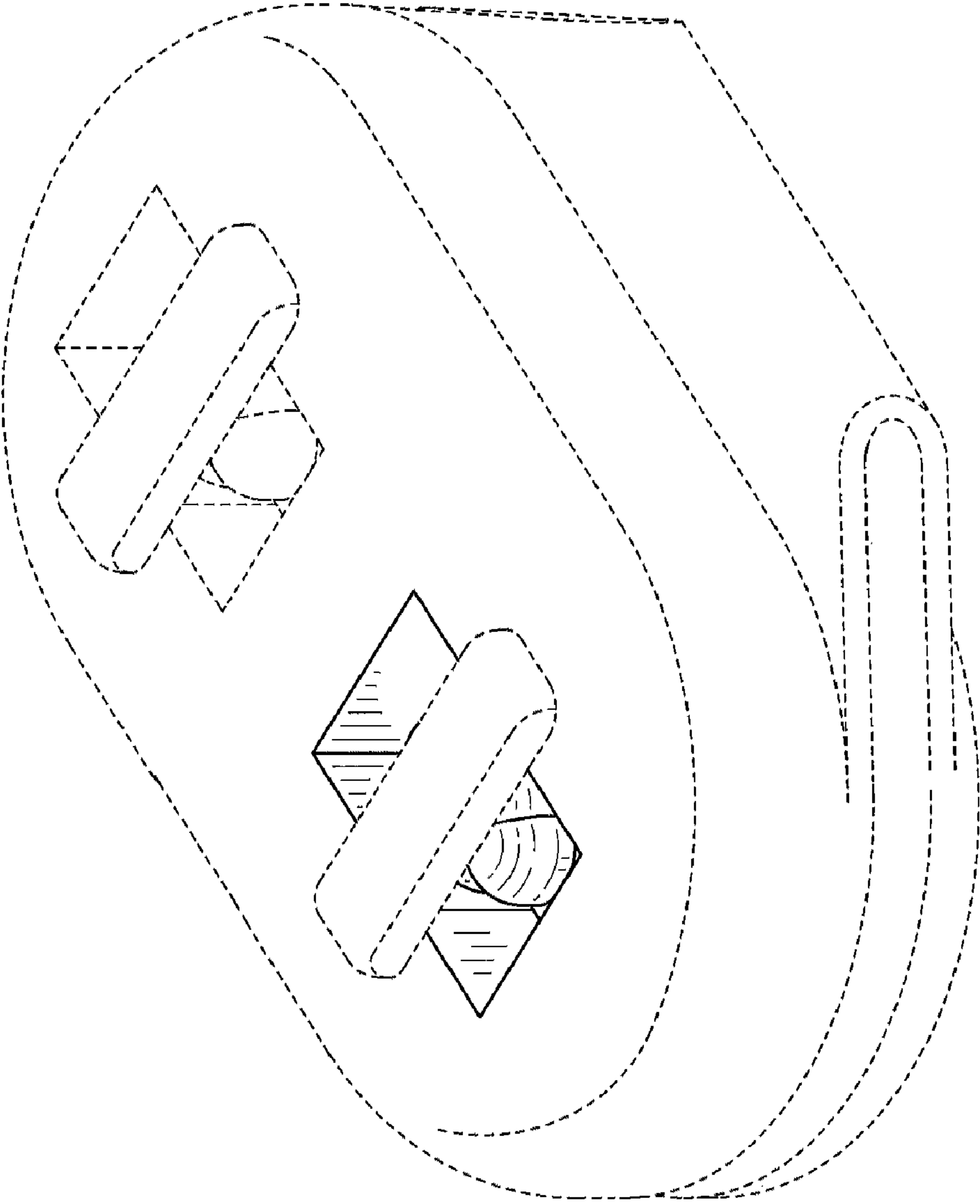


Fig. 11

**Fig. 12**

