



US00D660196S

(12) **United States Design Patent**
Huang et al.

(10) **Patent No.:** **US D660,196 S**

(45) **Date of Patent:** **** May 22, 2012**

(54) **PLANTER**

(75) Inventors: **Daiying Huang**, Medina, MN (US);
Samuel John Clavette, Stillwater, MN
(US); **Stephanie Ann Grotta**,
Minneapolis, MN (US); **Sara Lynne**
Pedersen, Minneapolis, MN (US)

(73) Assignee: **Target Brands, Inc.**, Minneapolis, MN
(US)

(**) Term: **14 Years**

(21) Appl. No.: **29/396,957**

(22) Filed: **Jul. 8, 2011**

(51) **LOC (9) Cl.** **11-02**

(52) **U.S. Cl.** **D11/155**

(58) **Field of Classification Search** D6/403-405,
D6/556-558; D8/1; D11/143-156, 164;
D19/77, 80, 81, 84; D25/100; D26/9-11,
D26/16, 19; D34/1, 2, 4-6; D99/5, 19; 47/17,
47/32.4, 32.5, 32.7, 33, 39, 41.01, 41.1, 41.11-41.15,
47/44-47, 63, 65.5, 65.9, 66.1, 66.2, 66.6,
47/66.7, 67-71

See application file for complete search history.

(56) **References Cited**

U.S. PATENT DOCUMENTS

D219,721 S * 1/1971 Banel D11/155
(Continued)

FOREIGN PATENT DOCUMENTS

GB 1049307 * 3/1988

OTHER PUBLICATIONS

Classic Teak Door Planter, www.classicteak.com/ctp1023.html,
printed Apr. 8, 2011.

(Continued)

Primary Examiner — Garth Rademaker

(74) *Attorney, Agent, or Firm* — Leanne Taveggia Farrell;
Westman, Champlin & Kelly, P.A.

(57) **CLAIM**

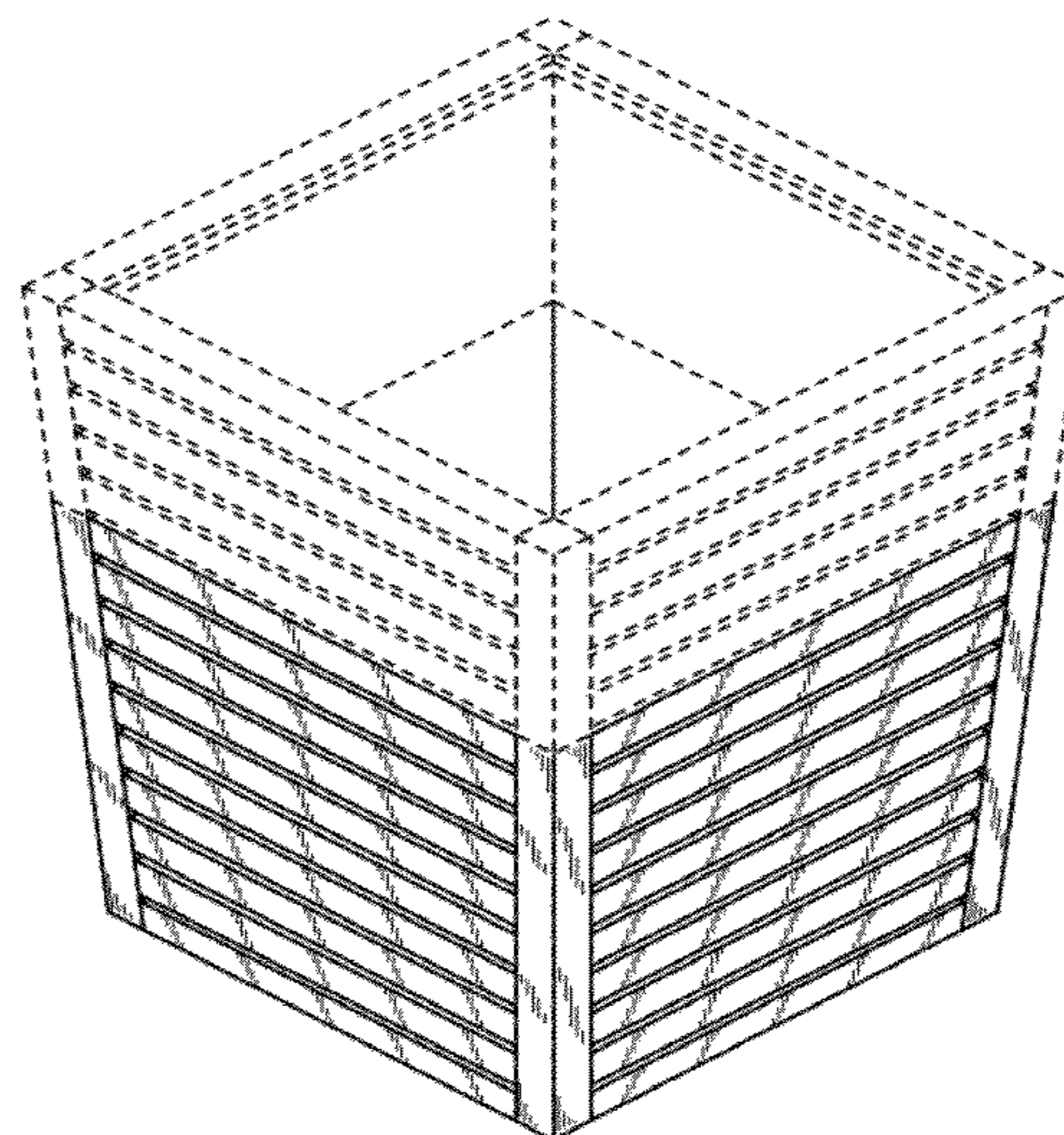
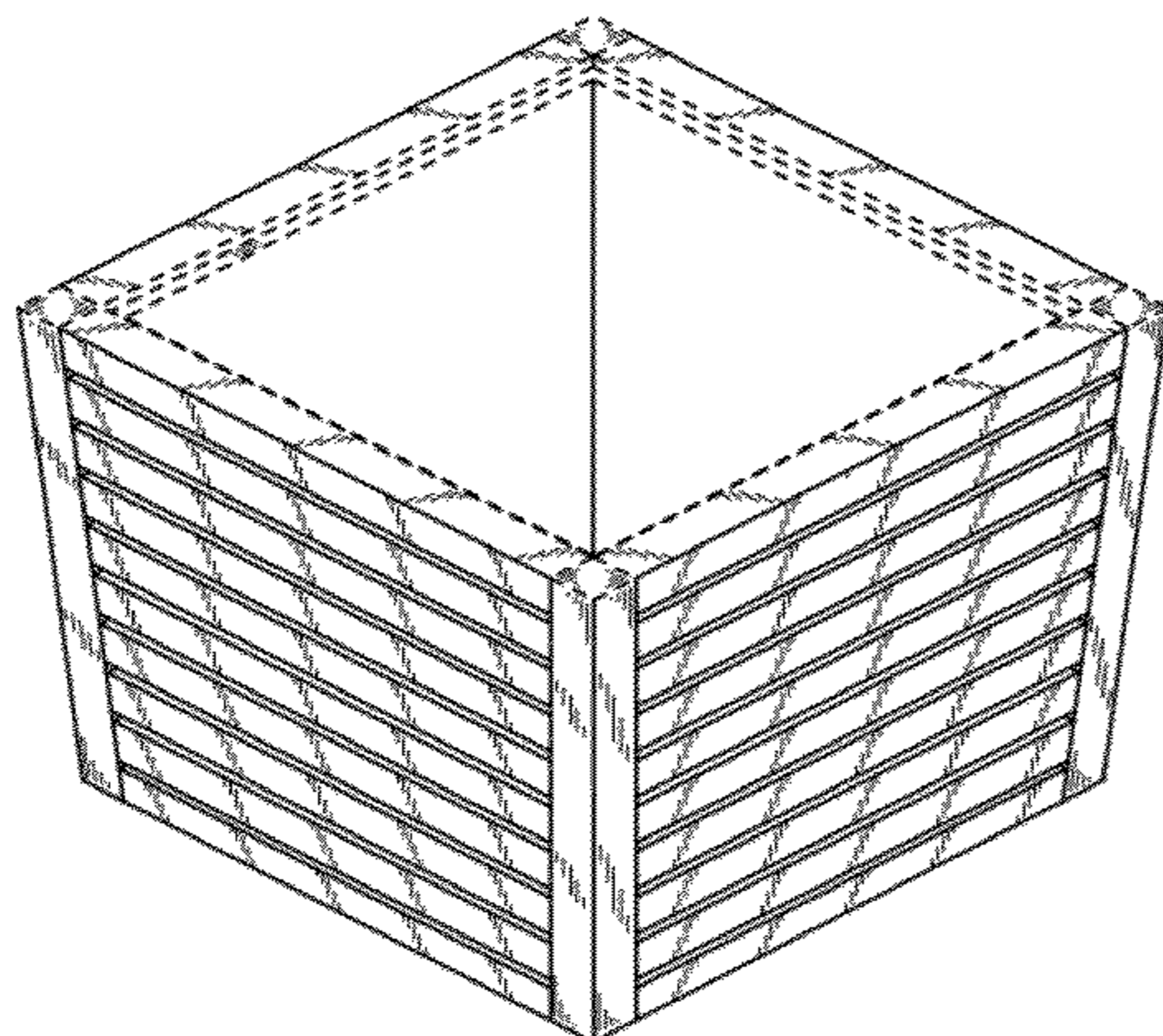
The ornamental design for a planter, as shown and described.

DESCRIPTION

FIG. 1 is a perspective view of a first embodiment of a planter;
FIG. 2 is a front elevation view of the planter of FIG. 1, the
rear elevation view being identical thereto;
FIG. 3 is a left side elevation view of the planter of FIG. 1, the
right side elevation view being identical thereto;
FIG. 4 is a top plan view of the planter of FIG. 1;
FIG. 5 is a perspective view of a second embodiment of a
planter;
FIG. 6 is a front elevation view of the planter of FIG. 5, the
rear elevation view being identical thereto;
FIG. 7 is a left side elevation view of the planter of FIG. 5, the
right side elevation view being identical thereto;
FIG. 8 is a top plan view of the planter of FIG. 5;
FIG. 9 is a perspective view of the planter of FIG. 5, shown in
an alternate environment of use;
FIG. 10 is a front elevation view of the planter of FIG. 5,
shown in the same environment of FIG. 9, the rear elevation
view being identical thereto;
FIG. 11 is a left side elevation view of the planter of FIG. 5,
shown in the same environment as FIG. 9, the right side
elevation view being identical thereto; and,
FIG. 12 is a top plan view of the planter of FIG. 5, shown in
the same environment as FIG. 9.
The bottom views of the planters shown in FIGS. 1, 5 and 9
are omitted as not including additional claimed design ele-
ments.

The broken lines depict environmental subject matter only
and form no part of the claimed design.

1 Claim, 12 Drawing Sheets



U.S. PATENT DOCUMENTS

D232,812	S	*	9/1974	Ogle et al.	D11/155
D383,707	S	*	9/1997	Waszkiewicz, III	D11/155
D392,914	S	*	3/1998	Friend	D11/143
D458,560	S	*	6/2002	D'Hulst	D11/155
D488,401	S	*	4/2004	Gutierrez	D11/155
D528,940	S	*	9/2006	Espejo	D11/155
D552,319	S	*	10/2007	Gusdorf	D34/1
D574,118	S	*	7/2008	Gusdorf	D34/1
2007/0084107	A1	*	4/2007	Ganti	47/39

OTHER PUBLICATIONS

Vieso Accent—Kubus Planter, www.vieso.com/kubus-planter-teak-m.html, printed Apr. 8, 2011.

All Garden Planters, allgardenplanters.com/equipment/planter-liners-planters-longer/, printed Apr. 8, 2011.

Street Design, www.street-design.com/ bespoke_planters.html, printed Apr. 8, 2011.

EHow, www.ehow.com/print/how_2104462_install-liners-wood-planters.html, printed Apr. 8, 2011.

F Chaffin, www.fchaffin.co.uk/ planters-tubs/red-cedar-planter, printed Apr. 8, 2011.

Victorian Garden Designer Planter, www.theparkcatalog.com/designer-metal-trash-can/Victorian-garden-designer-planter-with-steel-liners/342-1551, printed Apr. 8, 2011.

The Saint George Company, www.thestgeorgeco.com/gardenhtml/pot_feet.html, printed Apr. 8, 2011.

All About Planters, www.all-about-planters.com/wooden_planters.html, printed Apr. 8, 2011.

* cited by examiner

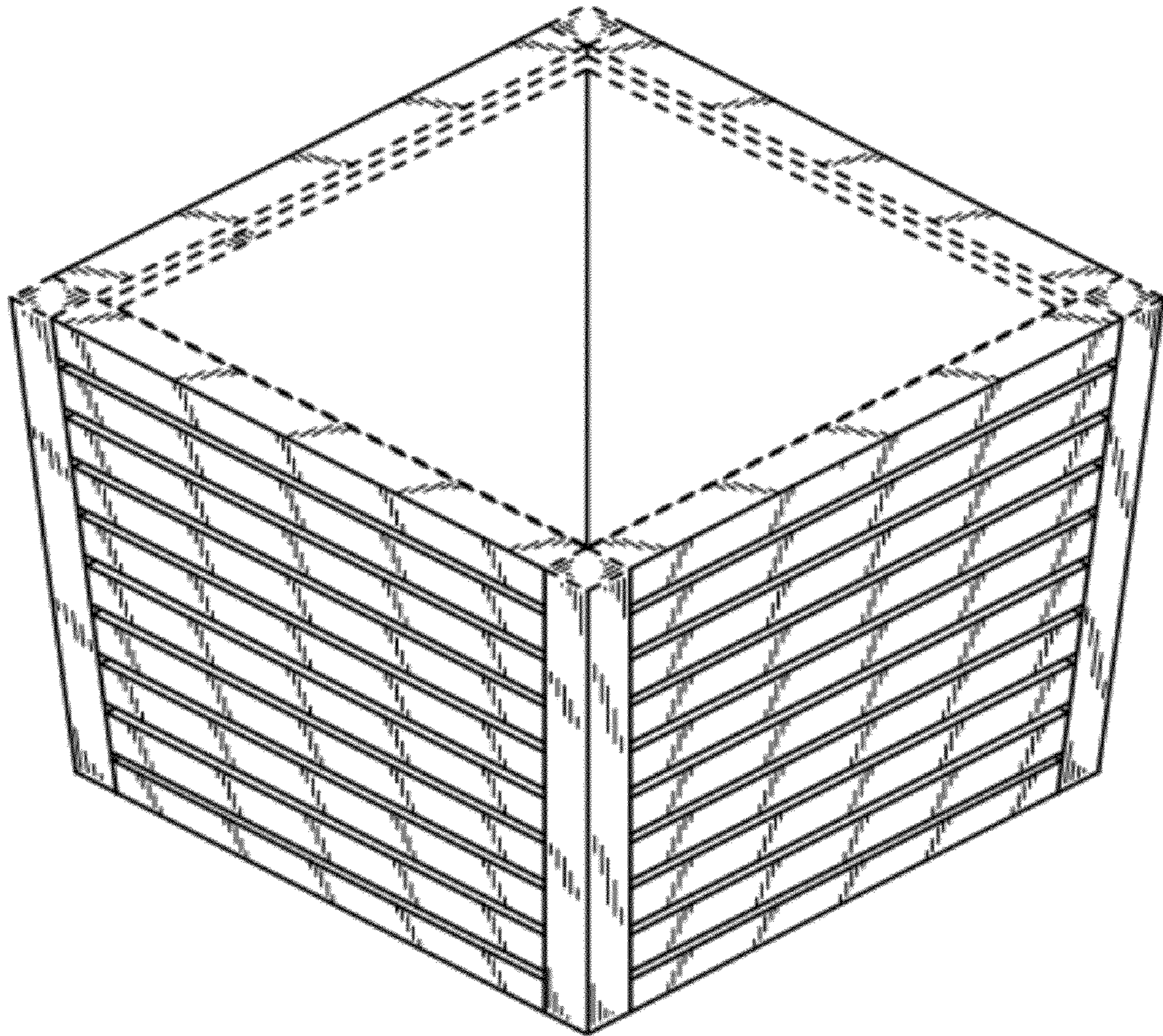


Fig. 1

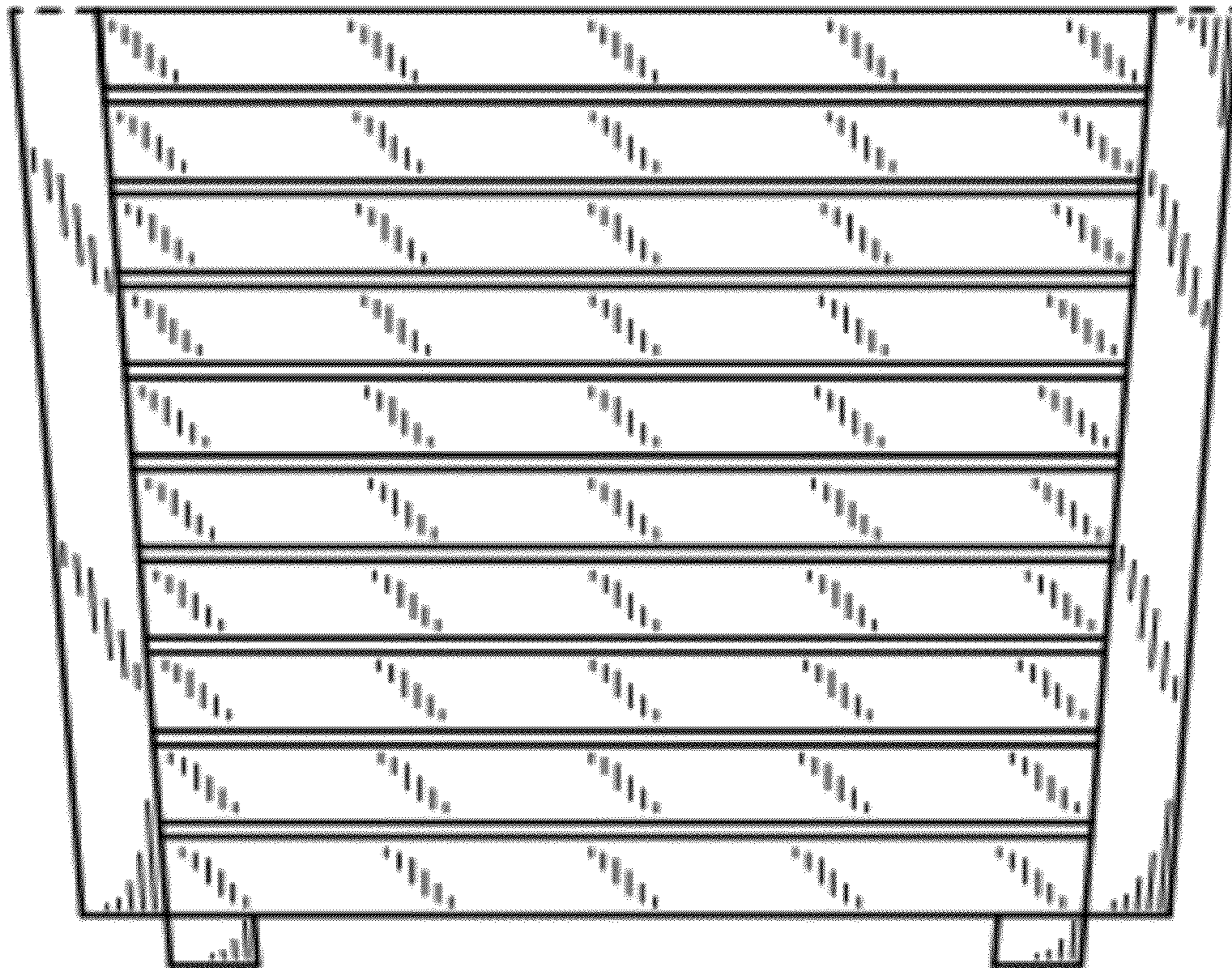


Fig. 2



Fig. 3

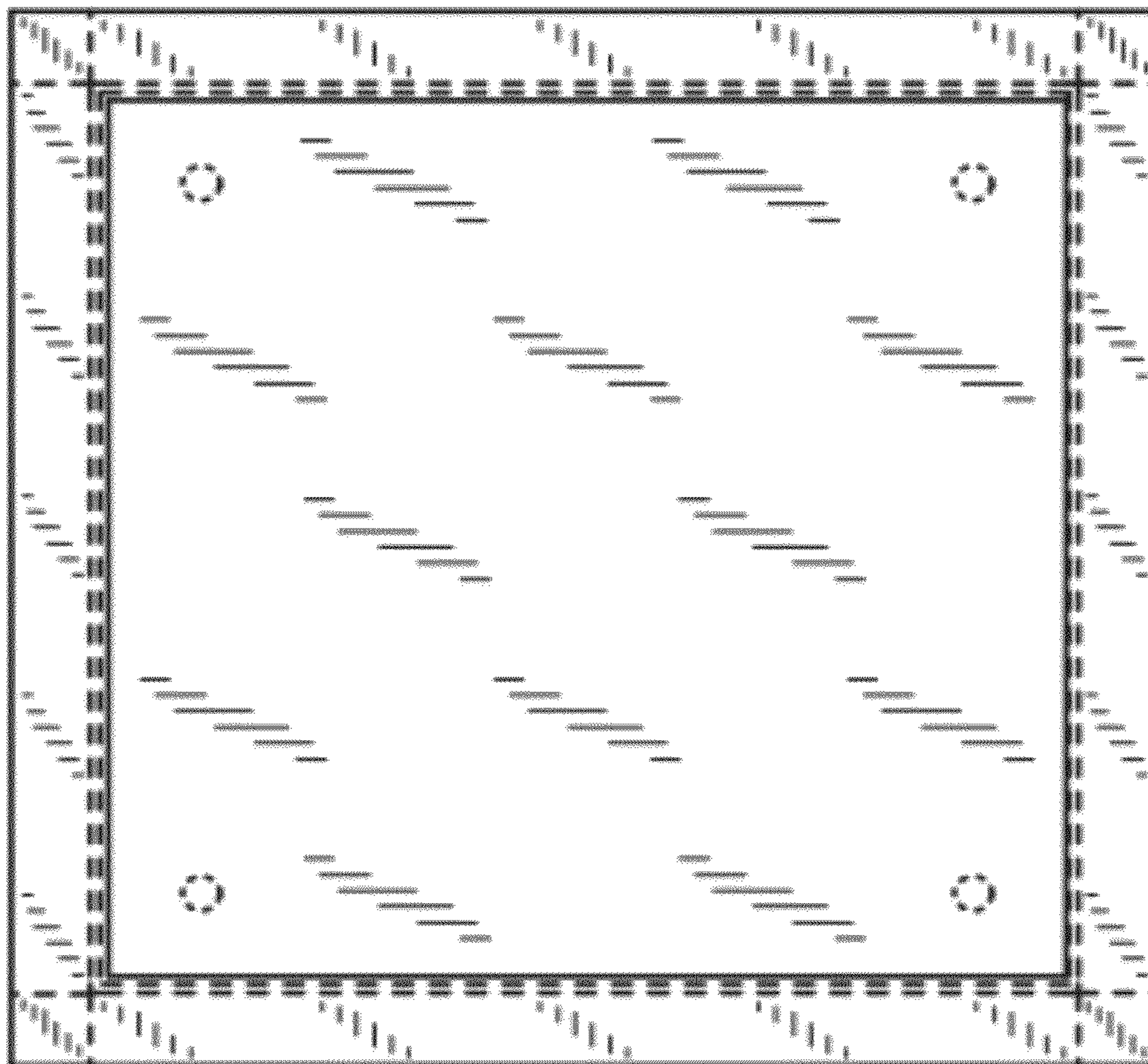


Fig. 4

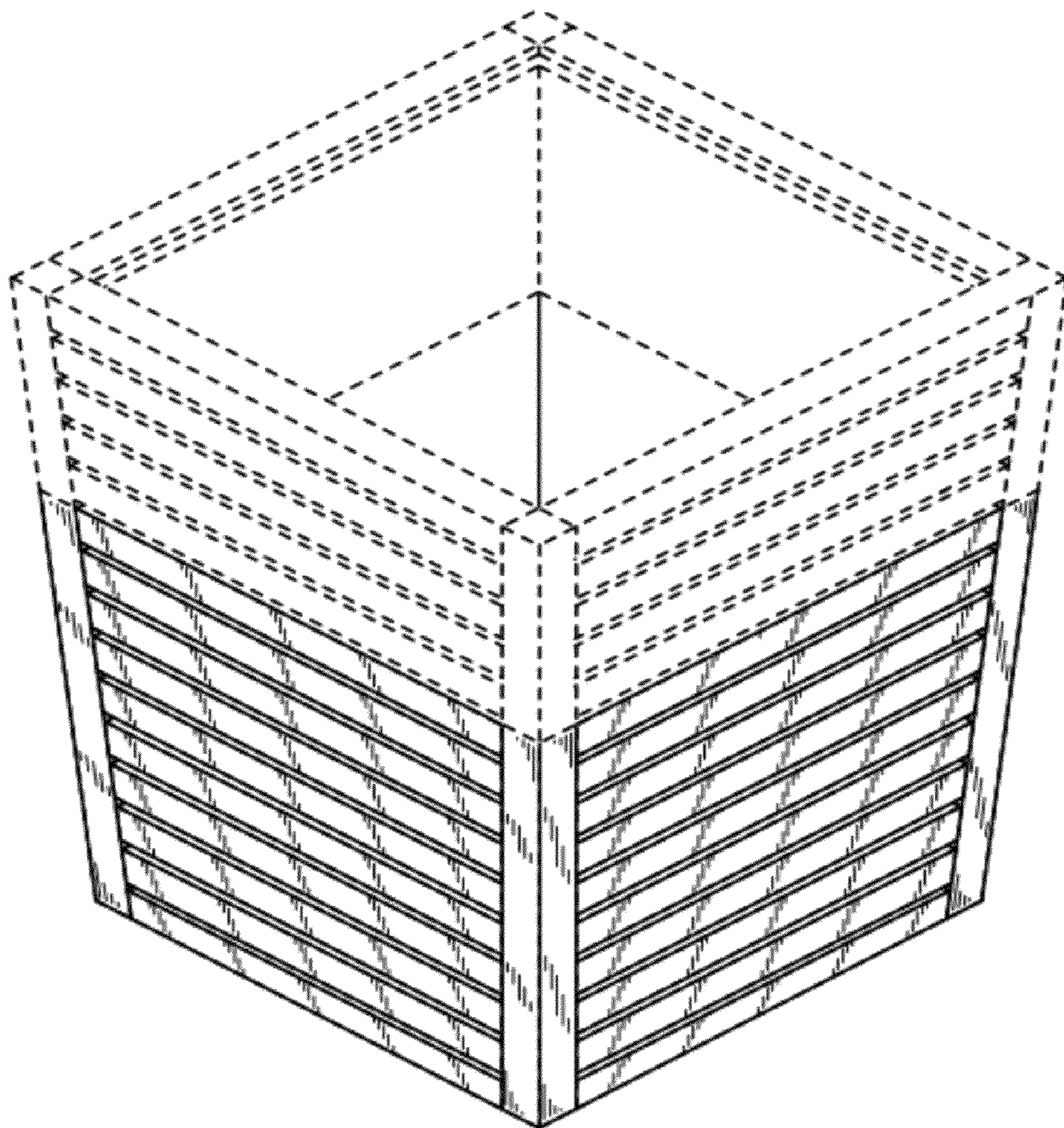


Fig. 5

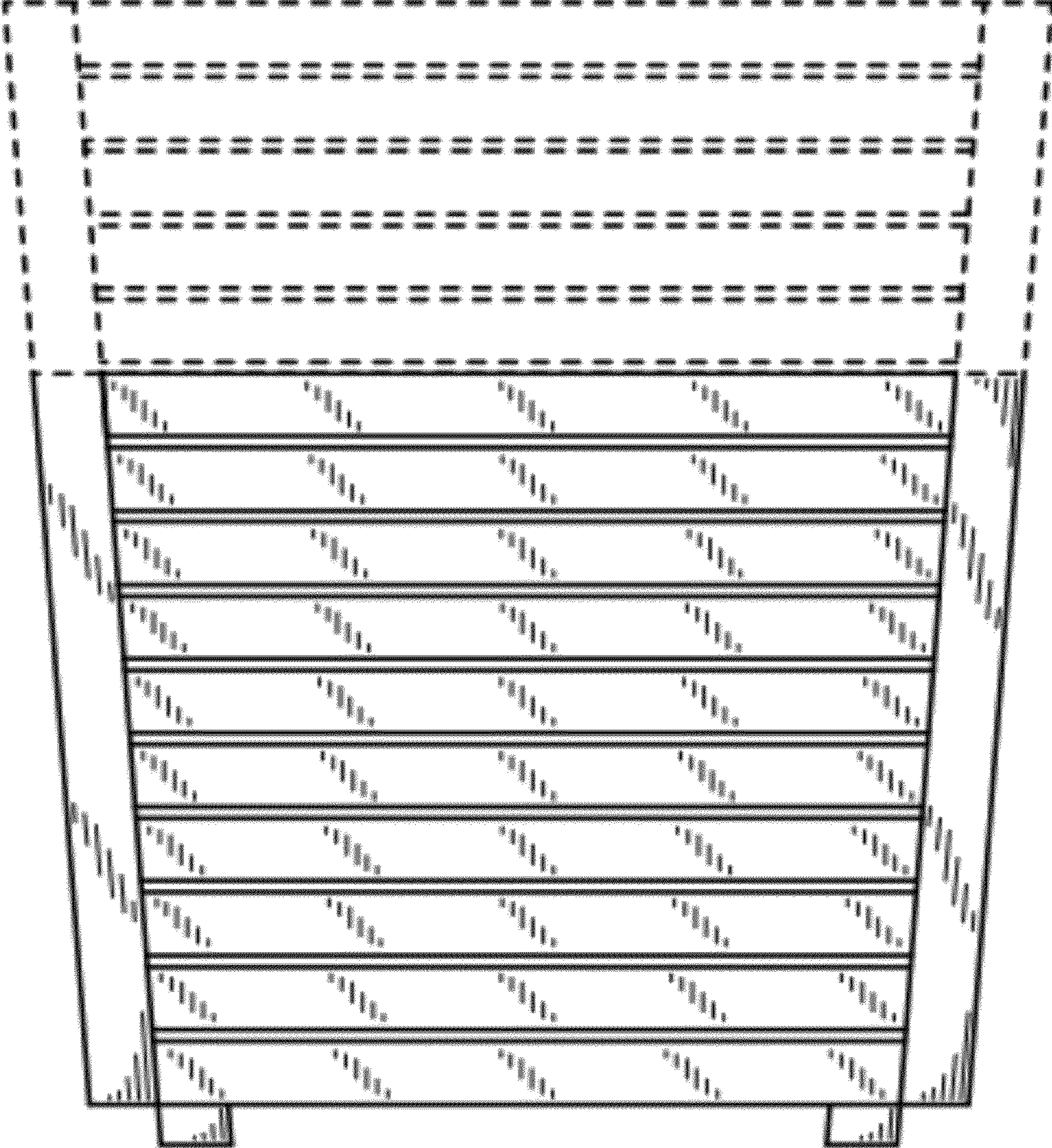


Fig. 6

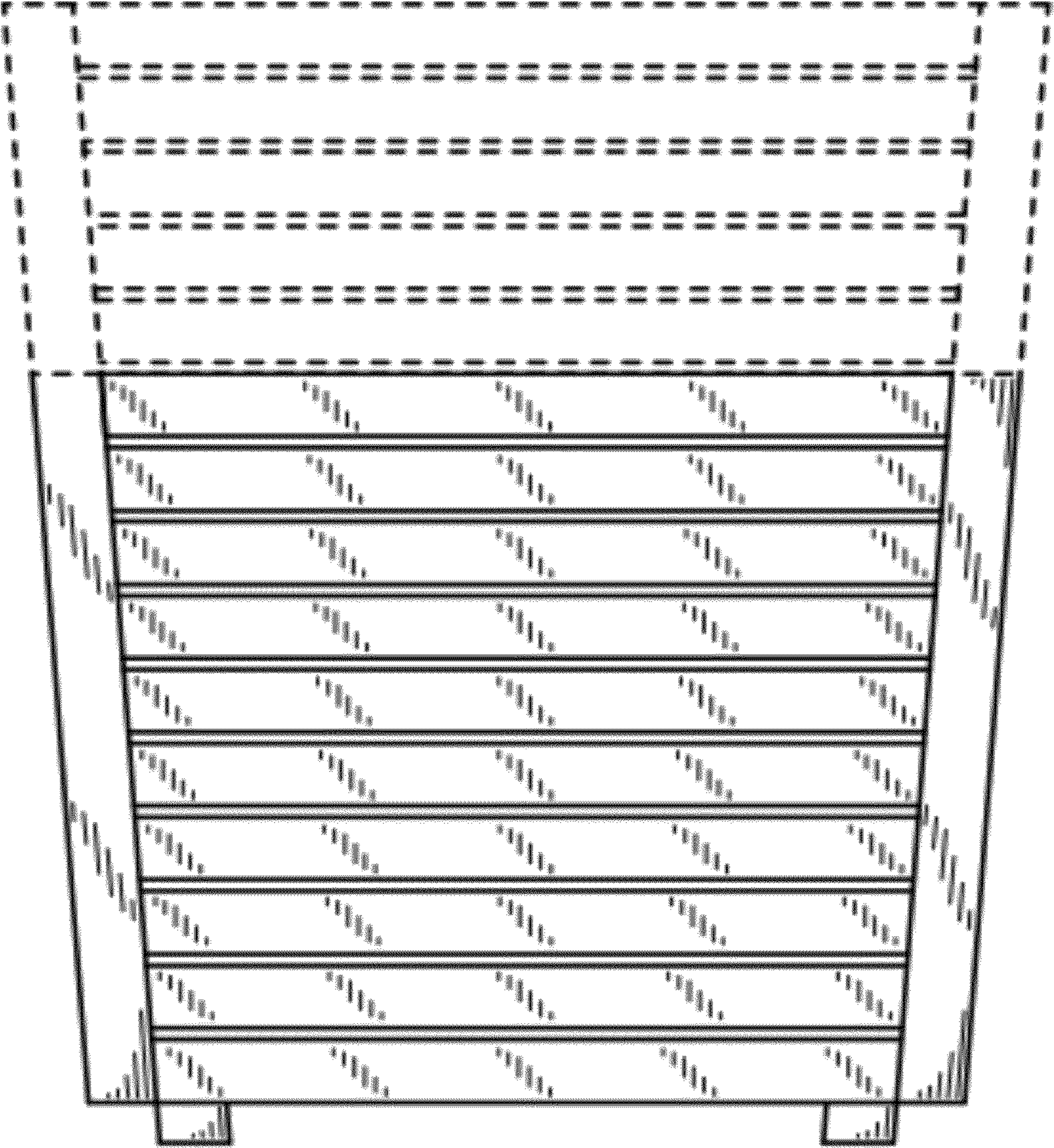


Fig. 7

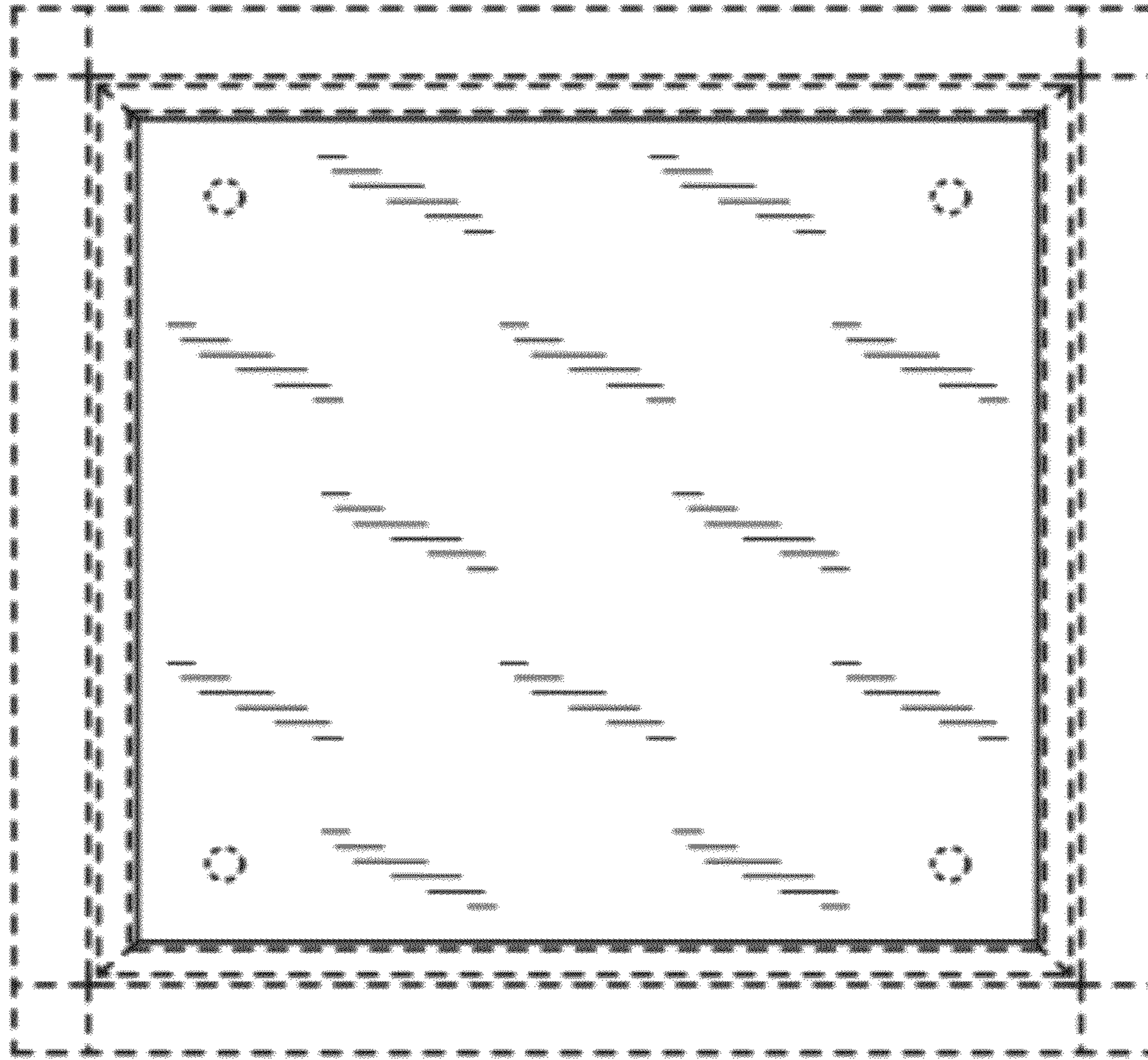


Fig. 8

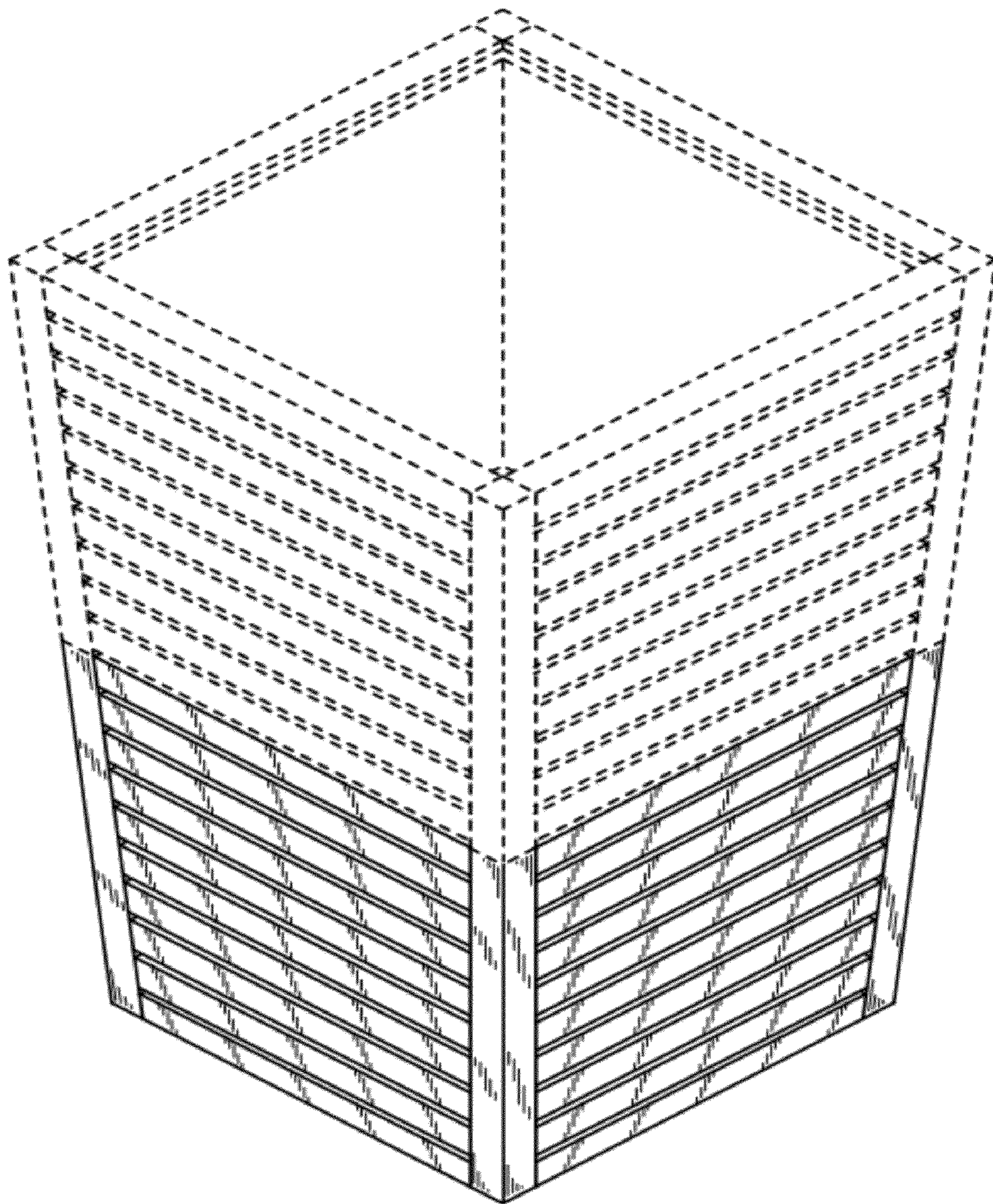


Fig. 9

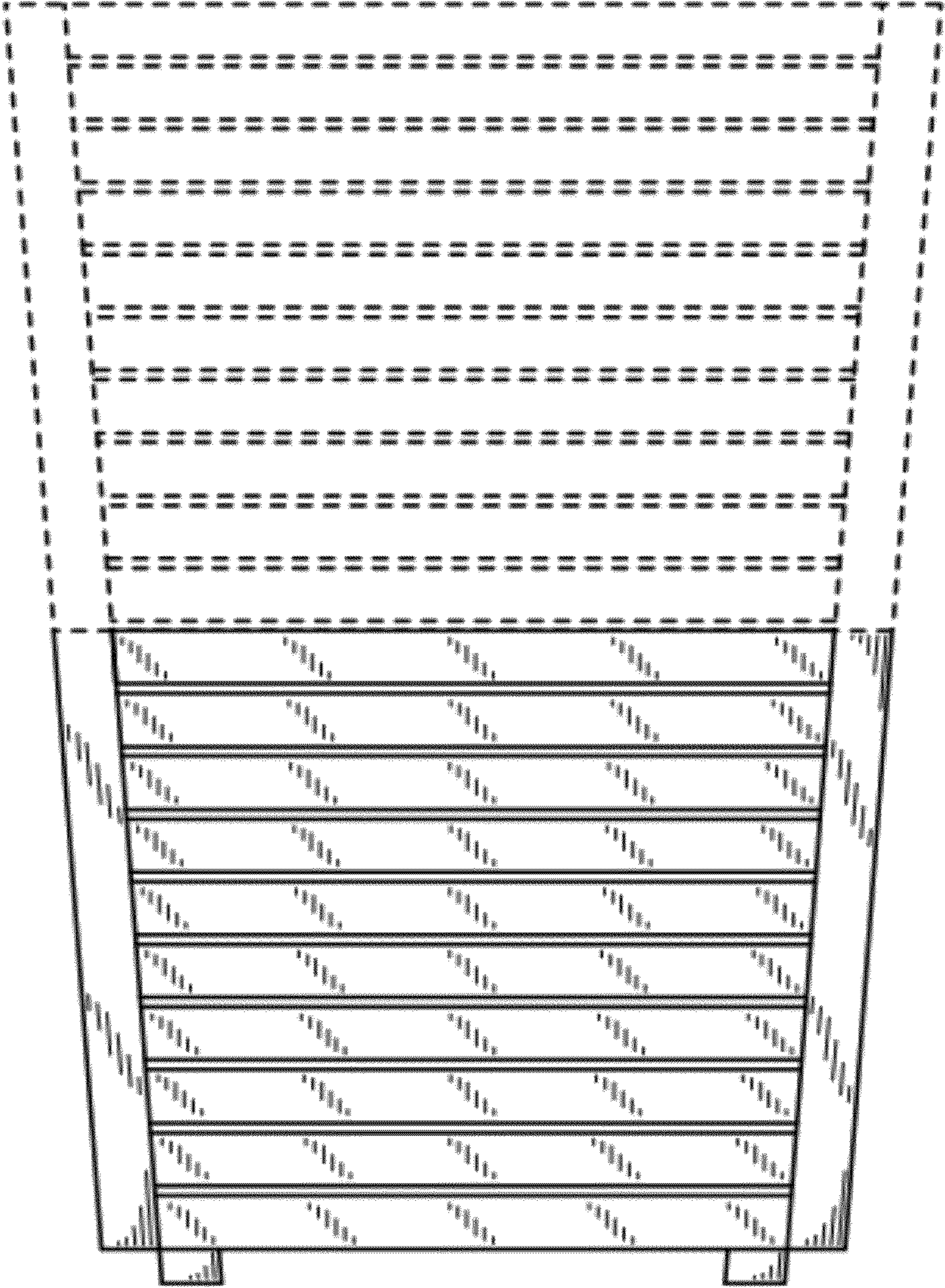


Fig. 10

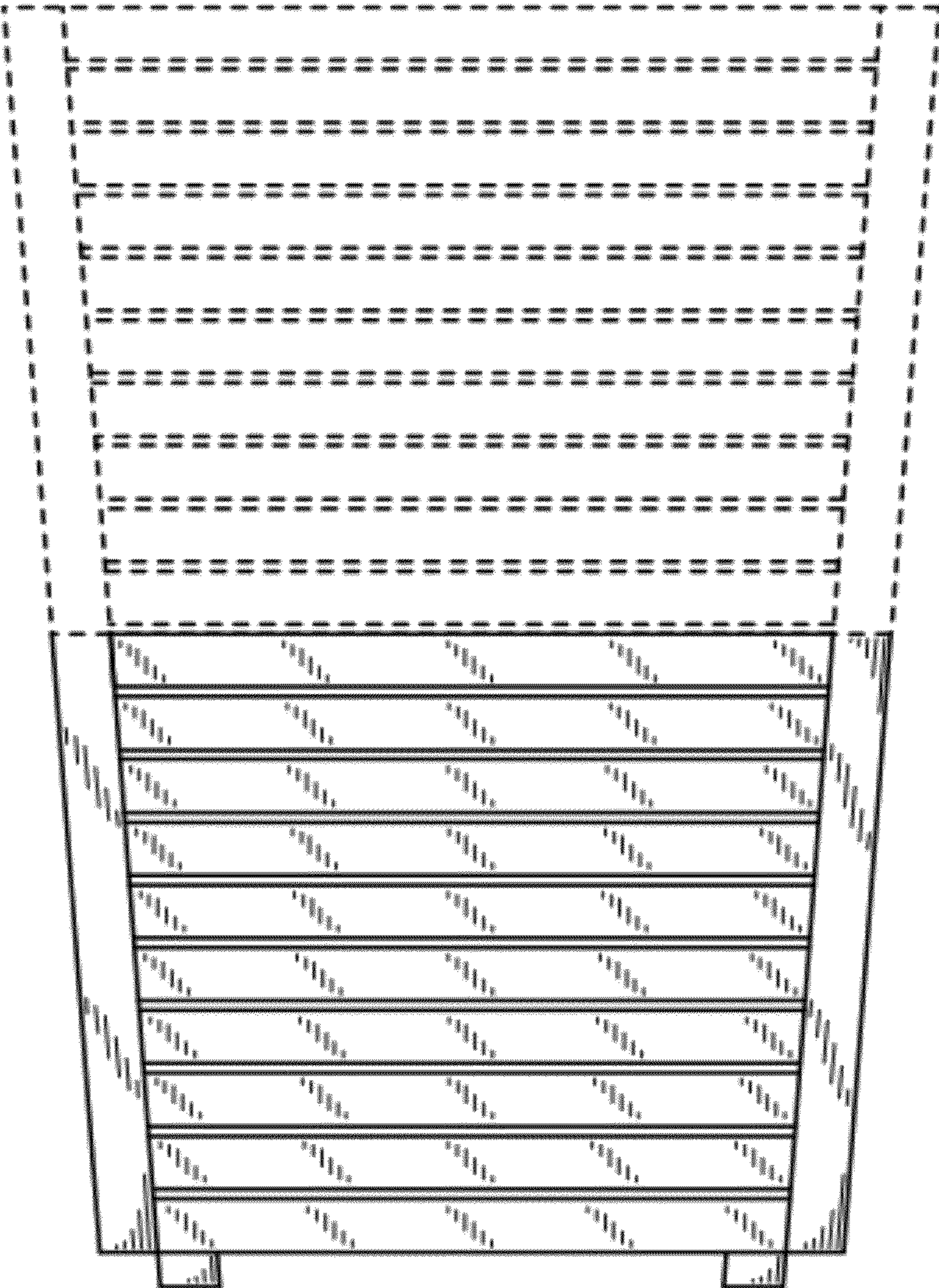


Fig. 11

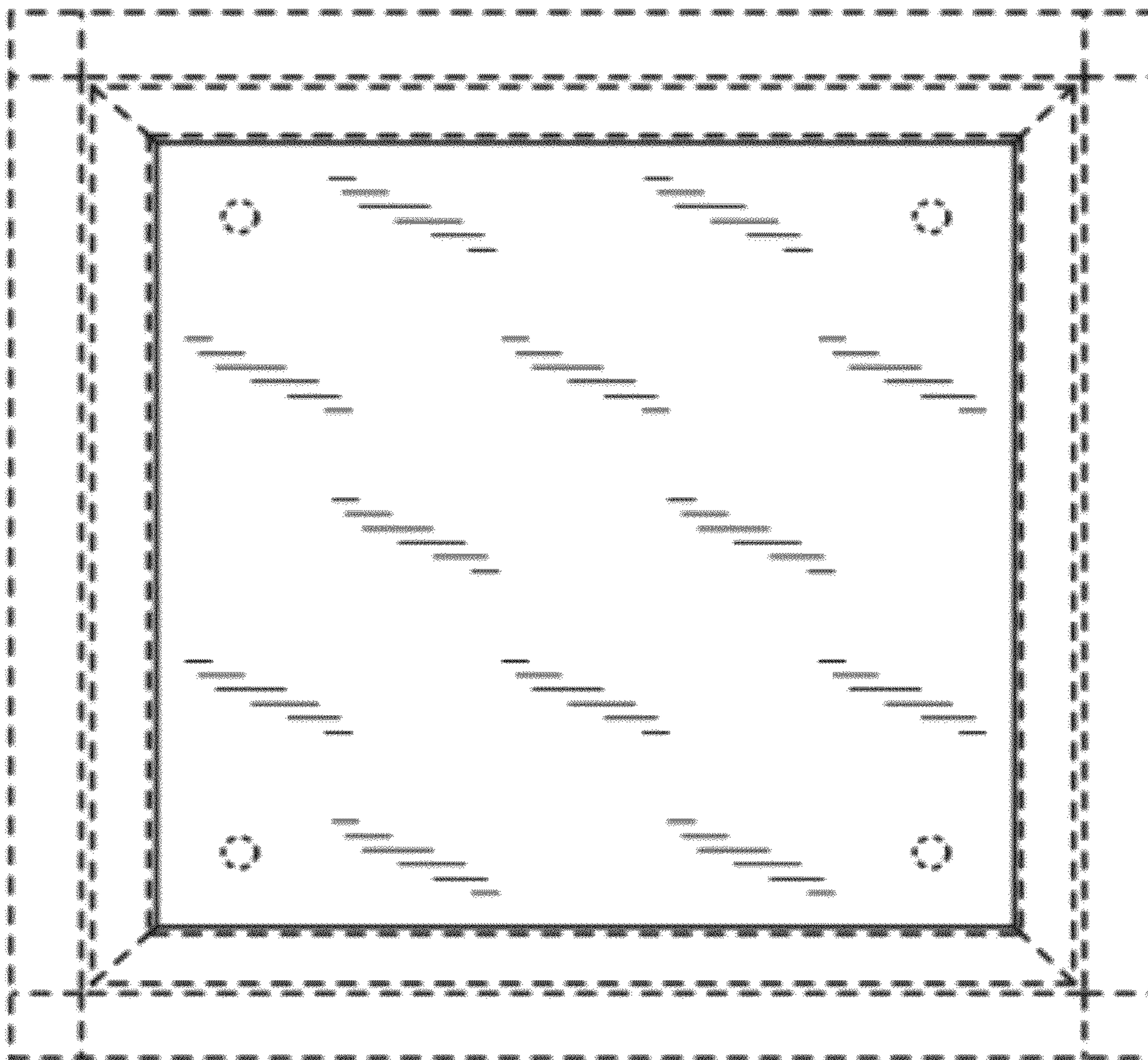


Fig. 12