

US00D660193S

(12) **United States Design Patent**  
**Neuner**

(10) **Patent No.:** **US D660,193 S**

(45) **Date of Patent:** **\*\* May 22, 2012**

(54) **FACETED BEAD WITH THROUGH HOLE**

(75) **Inventor:** **Clemens Neuner, Zirl (AT)**

(73) **Assignee:** **Swarovski Aktiengesellschaft, Triesen (LI)**

(\*\*) **Term:** **14 Years**

(21) **Appl. No.:** **29/384,371**

(22) **Filed:** **Jan. 31, 2011**

(30) **Foreign Application Priority Data**

Oct. 14, 2010 (EM) ..... 1767997-0002

(51) **LOC (9) Cl.** ..... **11-01**

(52) **U.S. Cl.** ..... **D11/86; D11/26; D11/3**

(58) **Field of Classification Search** ..... D11/1-39,  
D11/79-85, 164; 63/1.14, 1.15; D8/310,  
D8/312, 314, DIG. 2; D23/250

See application file for complete search history.

(56) **References Cited**

**U.S. PATENT DOCUMENTS**

D59,314 S \* 10/1921 Winsen ..... D11/38  
D61,982 S \* 2/1923 Lapidus ..... D11/4  
D207,986 S \* 6/1967 Smiley ..... D23/250  
D273,261 S \* 4/1984 Sun ..... D11/38  
D287,270 S \* 12/1986 Yost ..... D8/312

D290,494 S \* 6/1987 Dragos ..... D8/310  
D347,267 S \* 5/1994 Yost ..... D23/250  
D354,256 S \* 1/1995 Hou ..... D11/164  
D355,627 S \* 2/1995 Hou ..... D11/164  
D364,832 S \* 12/1995 Hou ..... D11/4  
D376,192 S \* 12/1996 Bavoso ..... D23/250  
D383,523 S \* 9/1997 Doughty et al. .... D23/250  
D395,486 S \* 6/1998 Doughty et al. .... D23/250  
D424,965 S \* 5/2000 Gueit ..... D11/26  
D439,189 S \* 3/2001 Gueit ..... D11/29

\* cited by examiner

*Primary Examiner* — Cathron Brooks

*Assistant Examiner* — Melanie Pellegrini

(74) *Attorney, Agent, or Firm* — Wenderoth, Lind & Ponack, L.L.P.

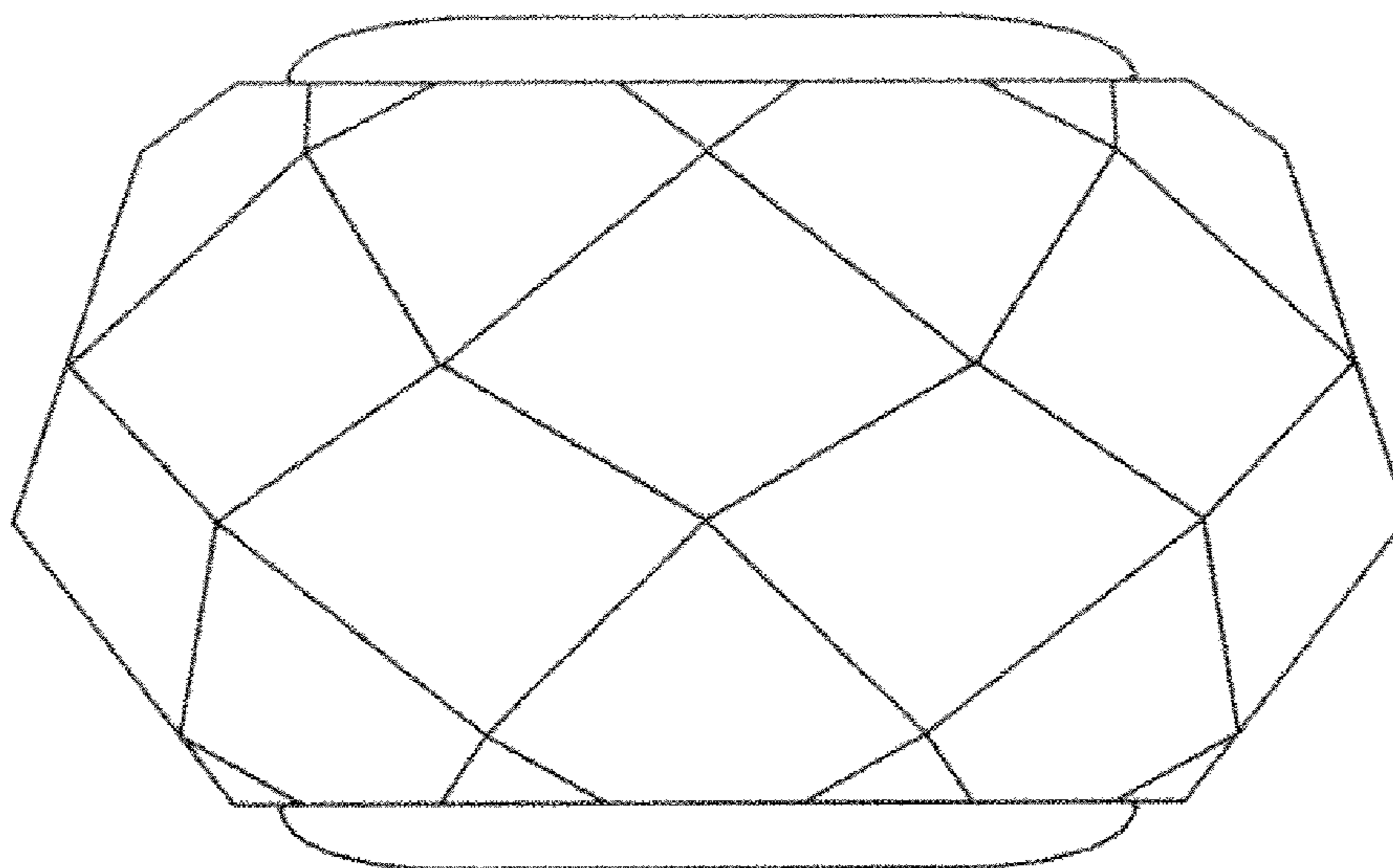
(57) **CLAIM**

The ornamental design for a faceted bead with through hole, as shown and described.

**DESCRIPTION**

FIG. 1 is a top view of the invention;  
FIG. 2 is a right view of the invention;  
FIG. 3 is a front view of the invention;  
FIG. 4 is a left view of the invention;  
FIG. 5 is a bottom view of the invention;  
FIG. 6 is a rear view of the invention; and,  
FIG. 7 is a perspective view of the invention.

**1 Claim, 2 Drawing Sheets**



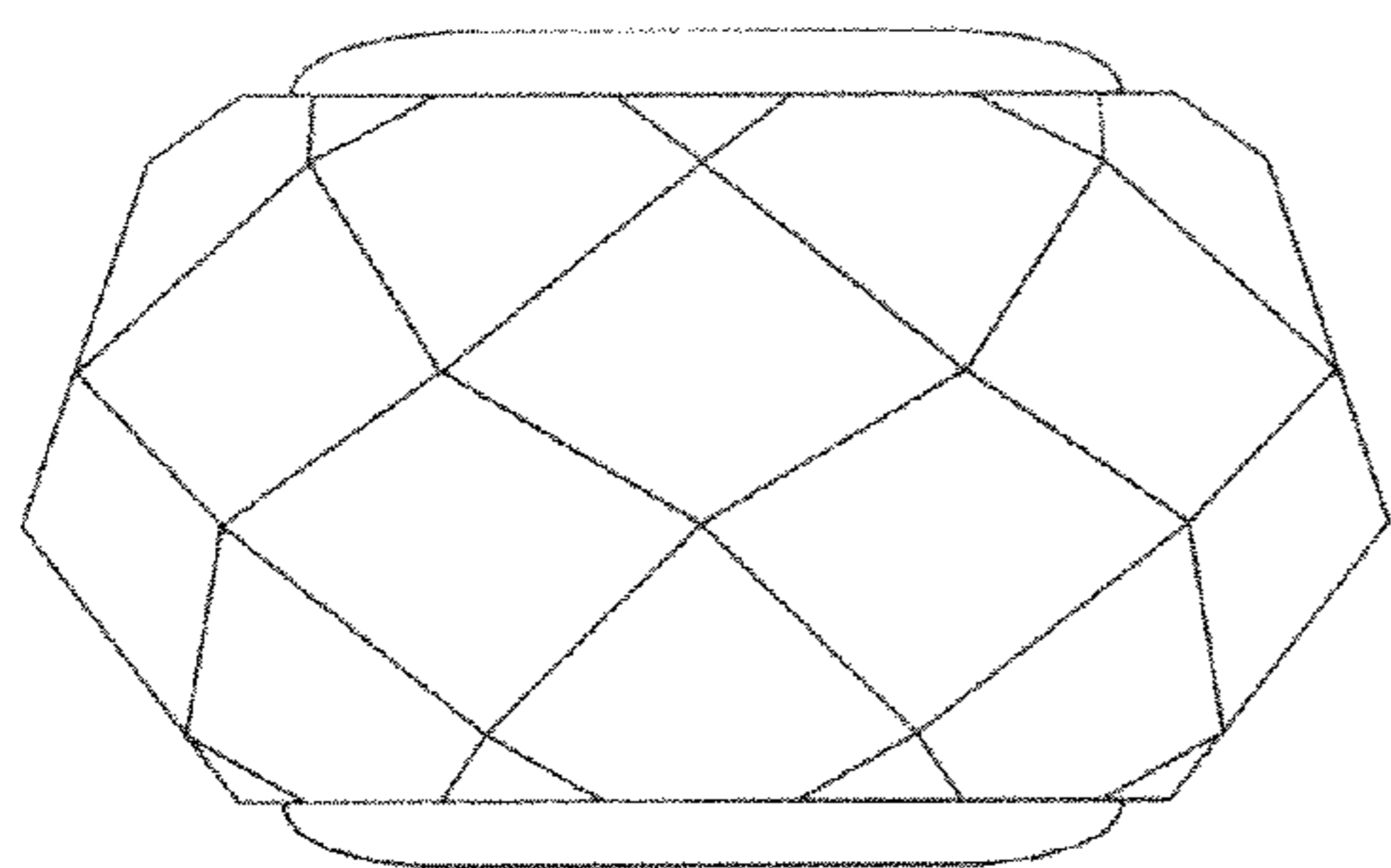


Fig. 1

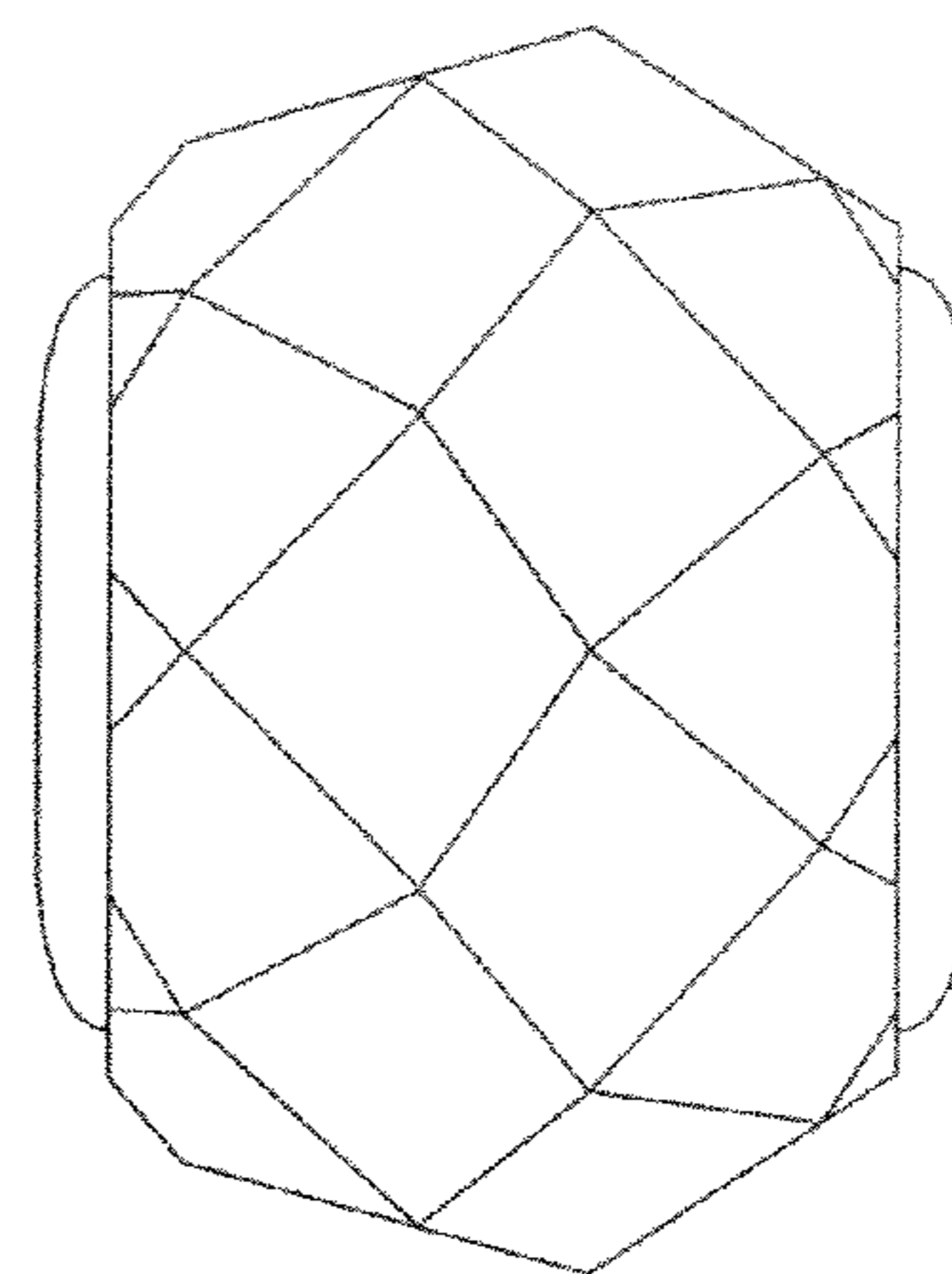


Fig. 2

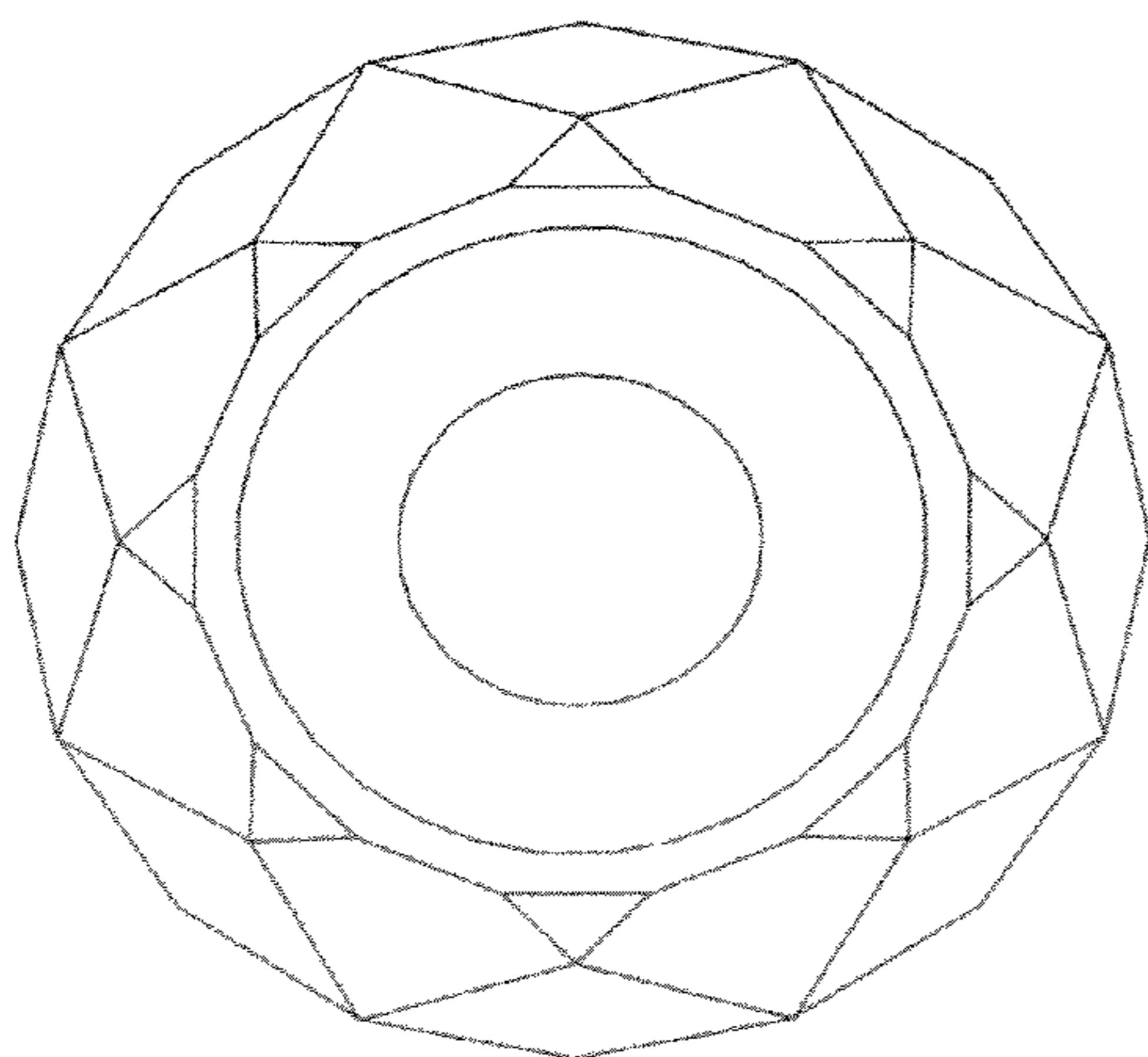


Fig. 3

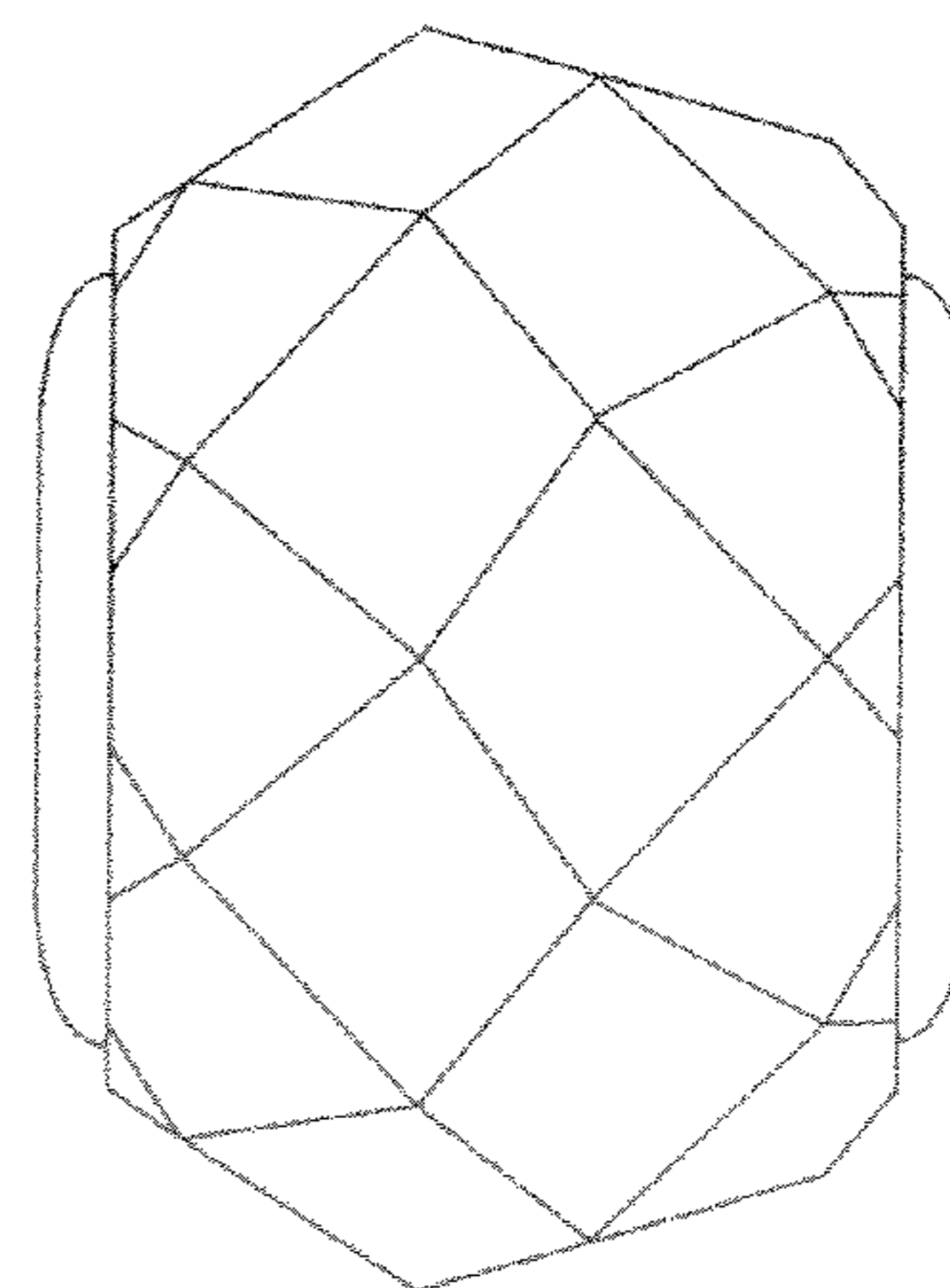


Fig. 4

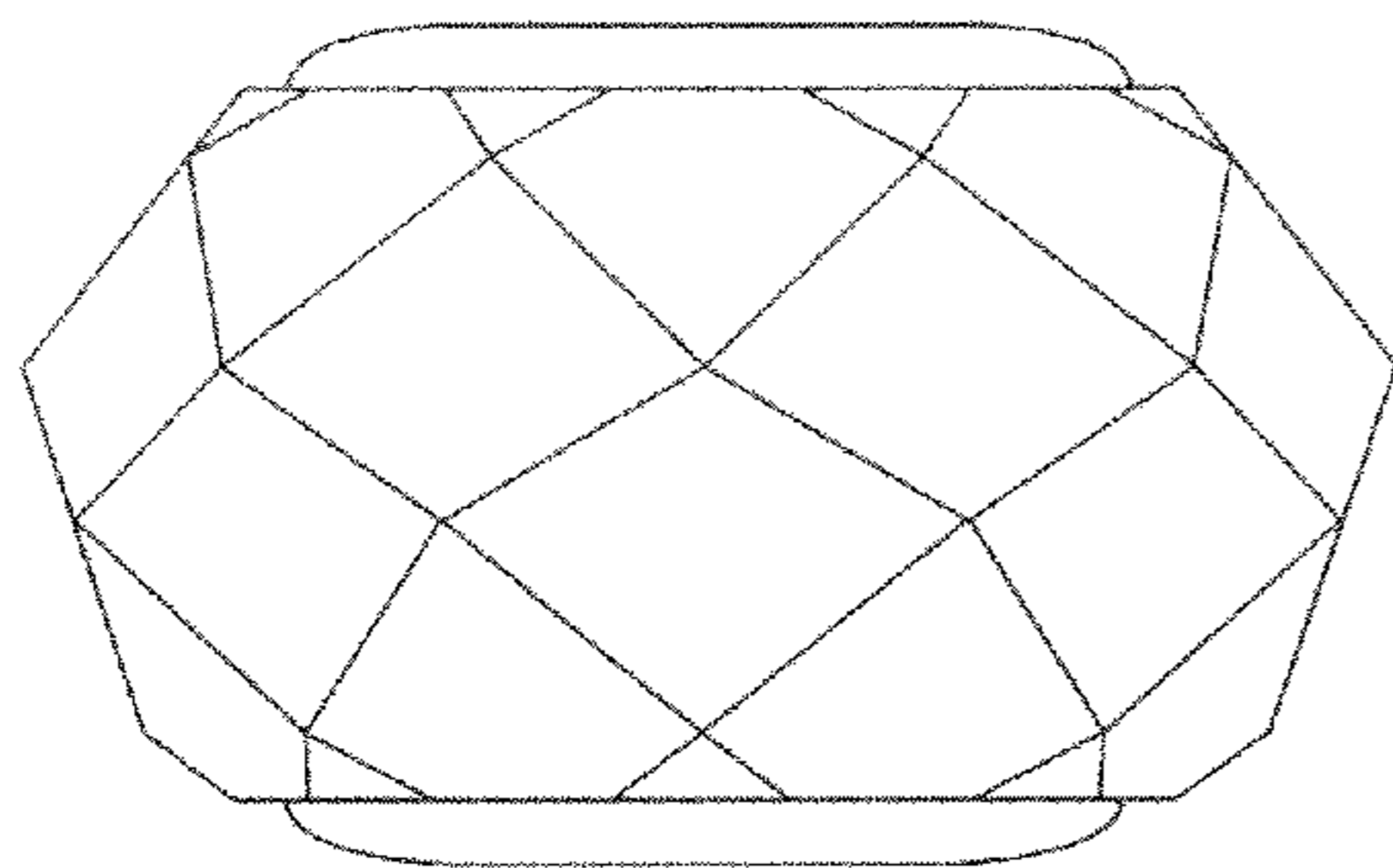


Fig. 5

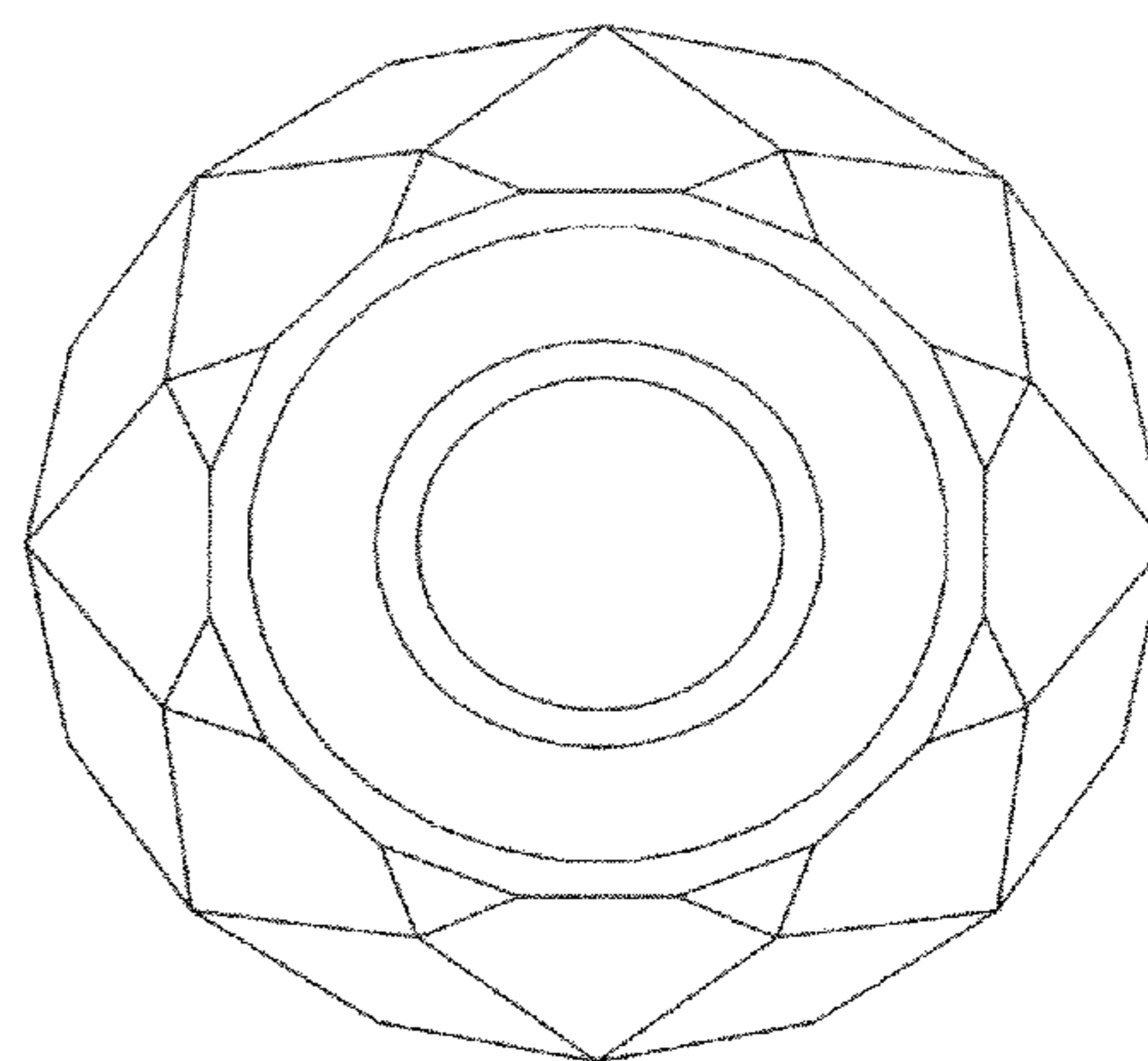


Fig. 6

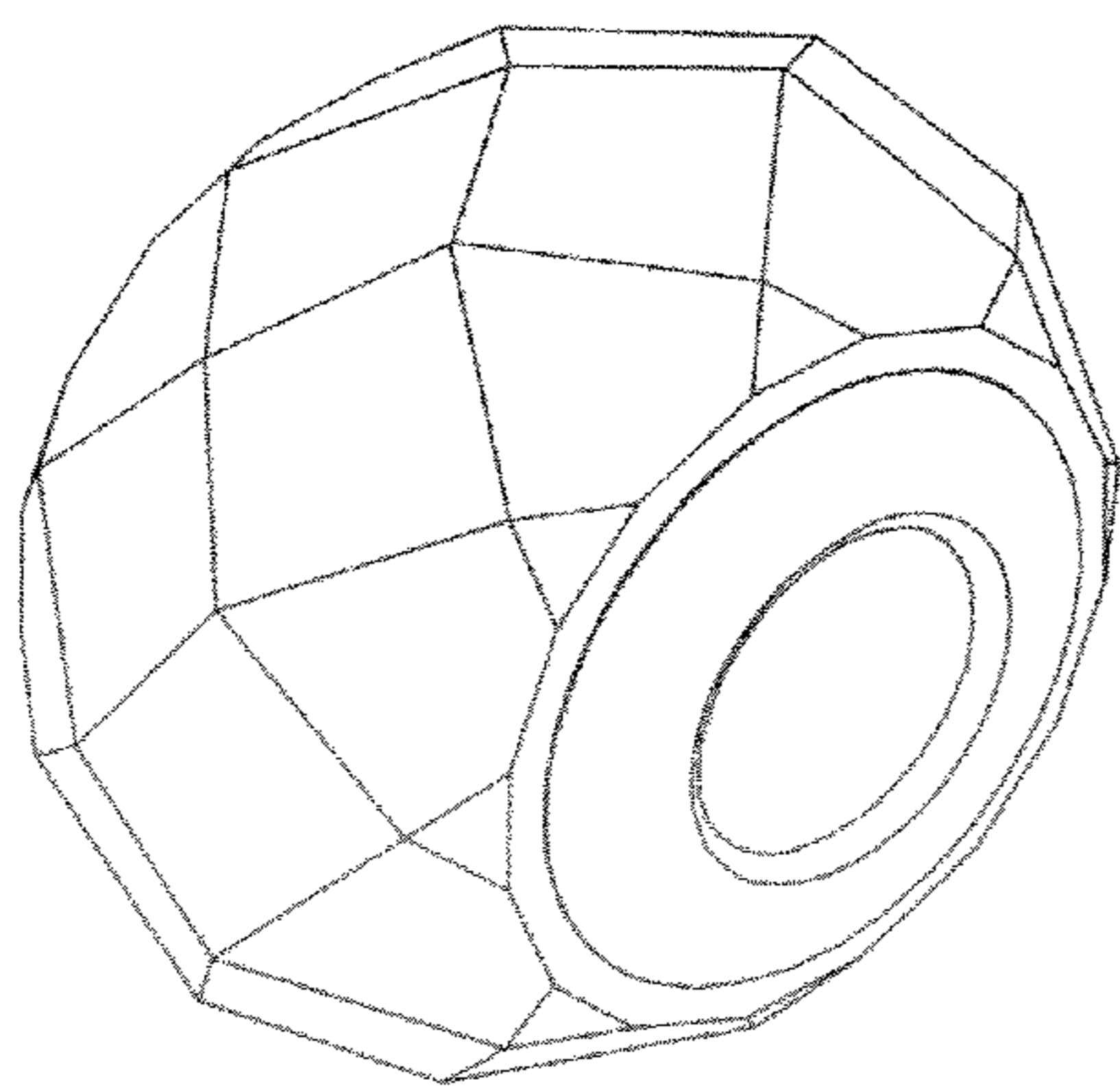


Fig. 7