



US00D660190S

(12) **United States Design Patent**
Laurino et al.

(10) **Patent No.:** **US D660,190 S**
(45) **Date of Patent:** **** May 22, 2012**

(54) **VIBRATION DETECTOR**

(75) Inventors: **Ferdinand Laurino**, Seattle, WA (US);
Christopher W. Lagerberg, Seattle, WA
(US); **Matthew Marzynski**, Seattle, WA
(US)

(73) Assignee: **Fluke Corporation**, Everett, WA (US)

(**) Term: **14 Years**

(21) Appl. No.: **29/397,450**

(22) Filed: **Jul. 15, 2011**

Related U.S. Application Data

(62) Division of application No. 29/359,069, filed on Apr. 5, 2010, now Pat. No. Des. 642,942.

(51) **LOC (9) Cl.** **10-04**

(52) **U.S. Cl.** **D10/78**

(58) **Field of Classification Search** D10/46,
D10/78; 73/660, 658, 659, 661, 593, 646,
73/647; 340/683

See application file for complete search history.

(56) **References Cited**

U.S. PATENT DOCUMENTS

6,351,714 B1 2/2002 Birchmeier
6,832,521 B1 12/2004 Courtney et al.

D510,044 S 9/2005 Ribeiro et al.
D518,394 S 4/2006 Lipscomb et al.
7,151,835 B2 12/2006 Yonovitz et al.
D579,361 S 10/2008 Wen
7,487,679 B2 2/2009 Serrine et al.
7,908,118 B2 3/2011 Trowbridge, Jr. et al.
D649,893 S * 12/2011 Beeke D10/78

* cited by examiner

Primary Examiner — Antoine D Davis

(74) *Attorney, Agent, or Firm* — Perkins Coie LLP

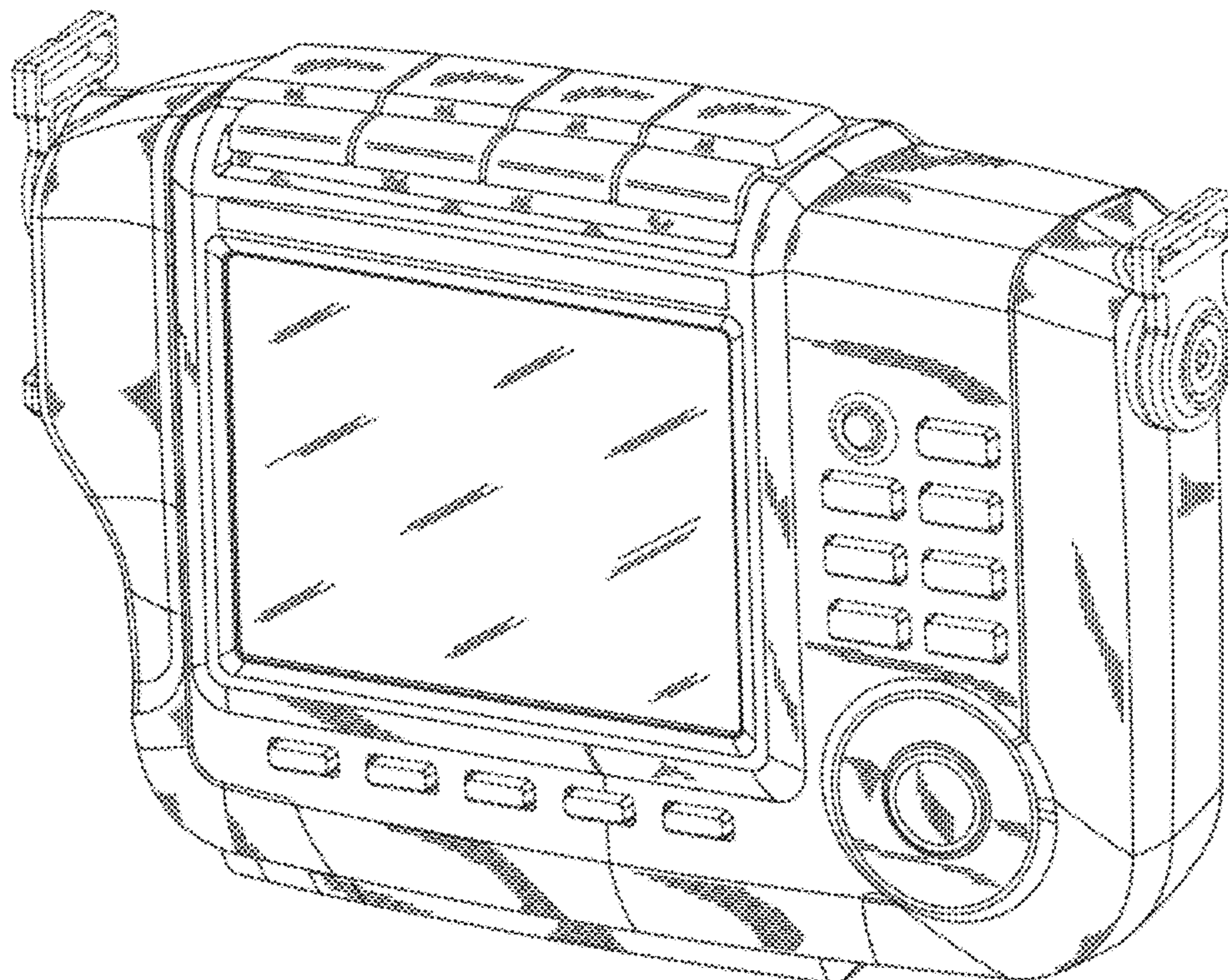
(57) **CLAIM**

The ornamental design for a vibration detector, as shown and described.

DESCRIPTION

FIG. 1 is a top view of a vibration detector.
FIG. 2 is a front view thereof.
FIG. 3 is a bottom view thereof.
FIG. 4 is a back view thereof.
FIG. 5 is a right side view thereof.
FIG. 6 is a left side view thereof.
FIG. 7 is a first perspective view thereof; and,
FIG. 8 is a second perspective view thereof.
The broken lines form no part of the claimed design.
The broken line showing of structural features is included for the purpose of illustrating non-claimed subject matter and forms no part of the claimed design.

1 Claim, 7 Drawing Sheets



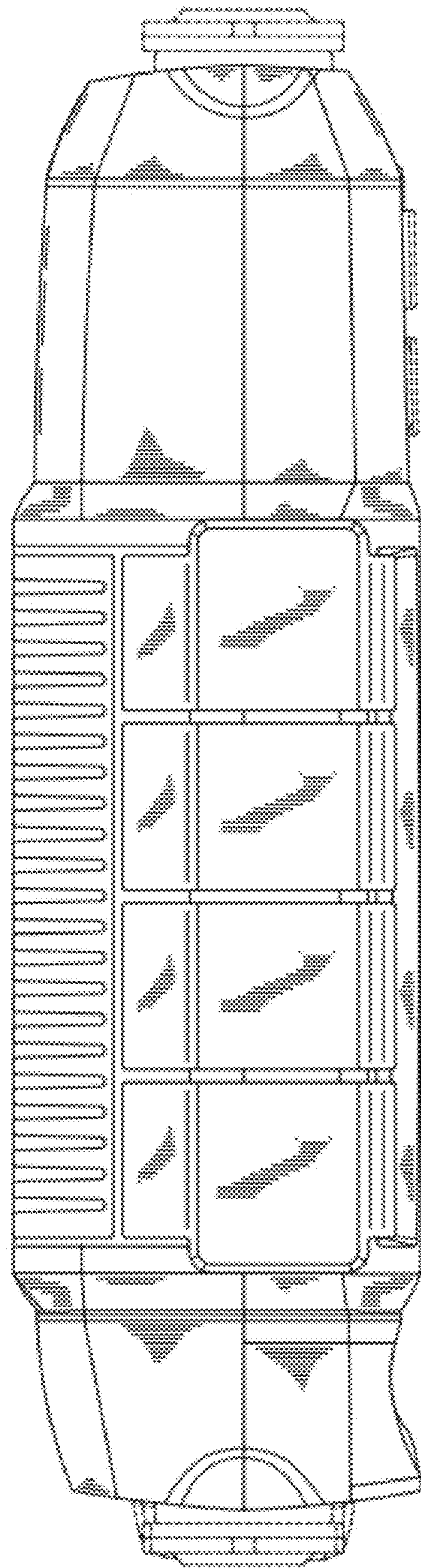


FIG. 1

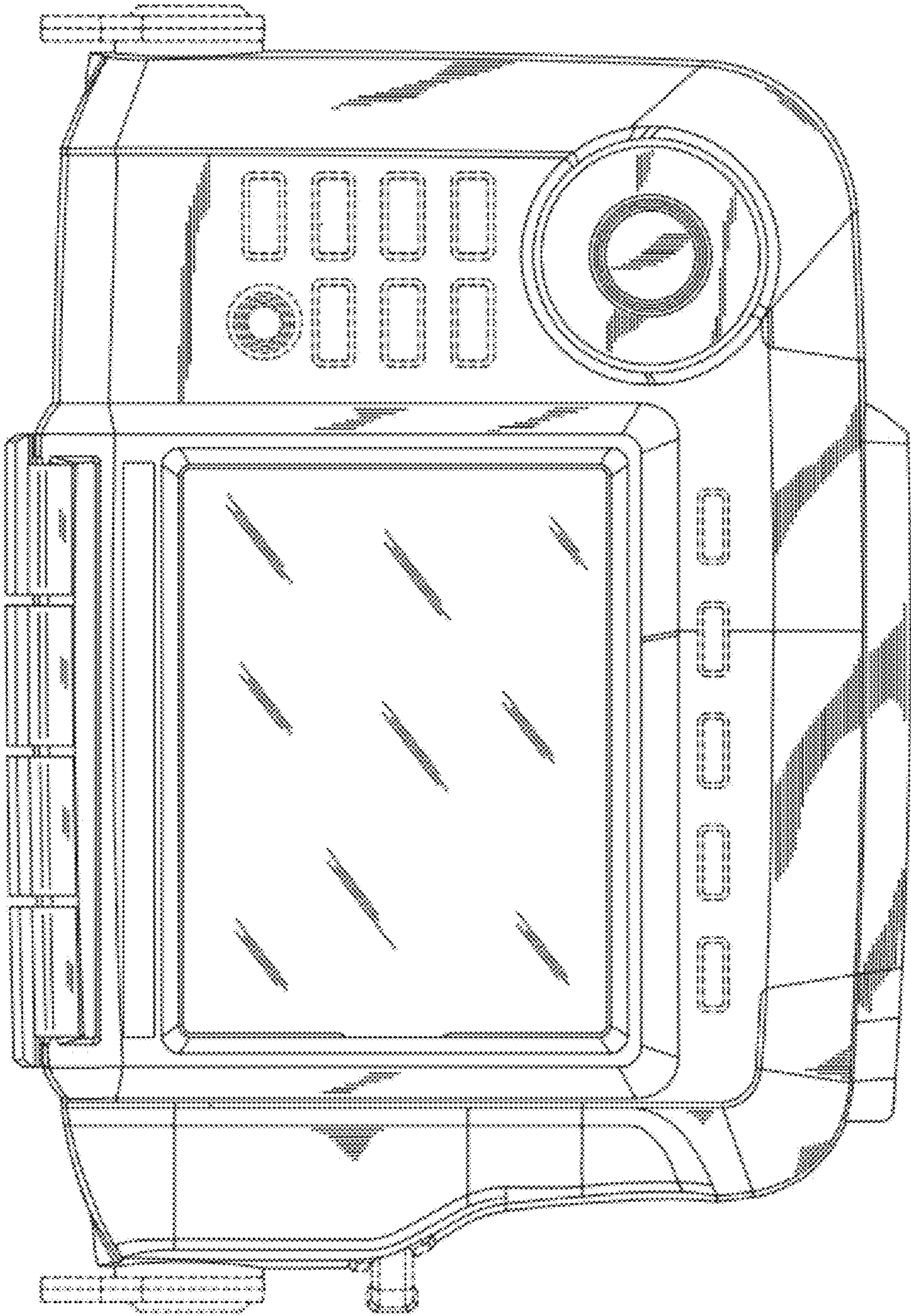


FIG. 2

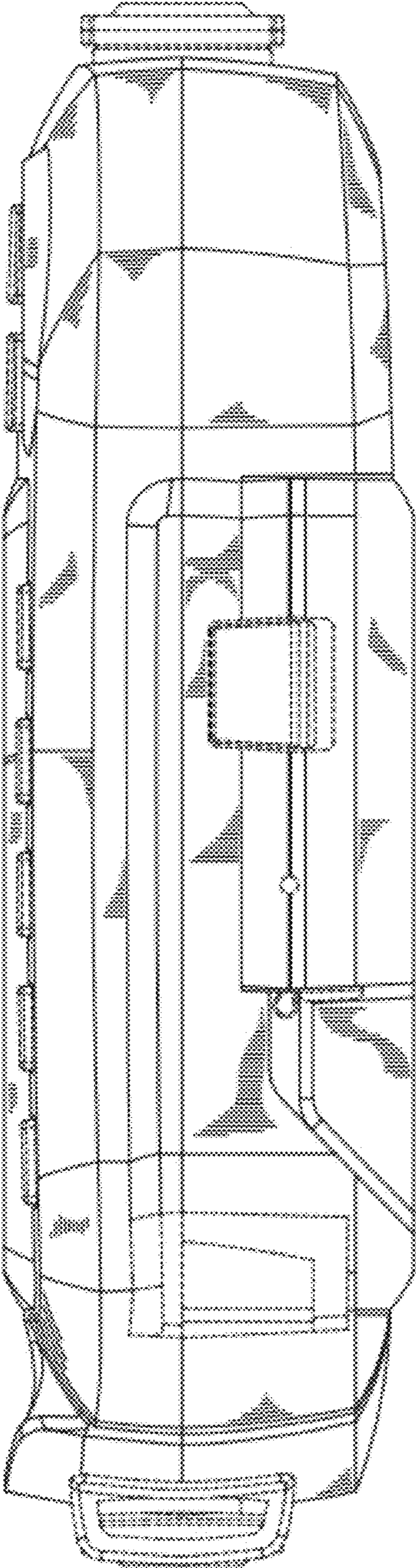


FIG. 3

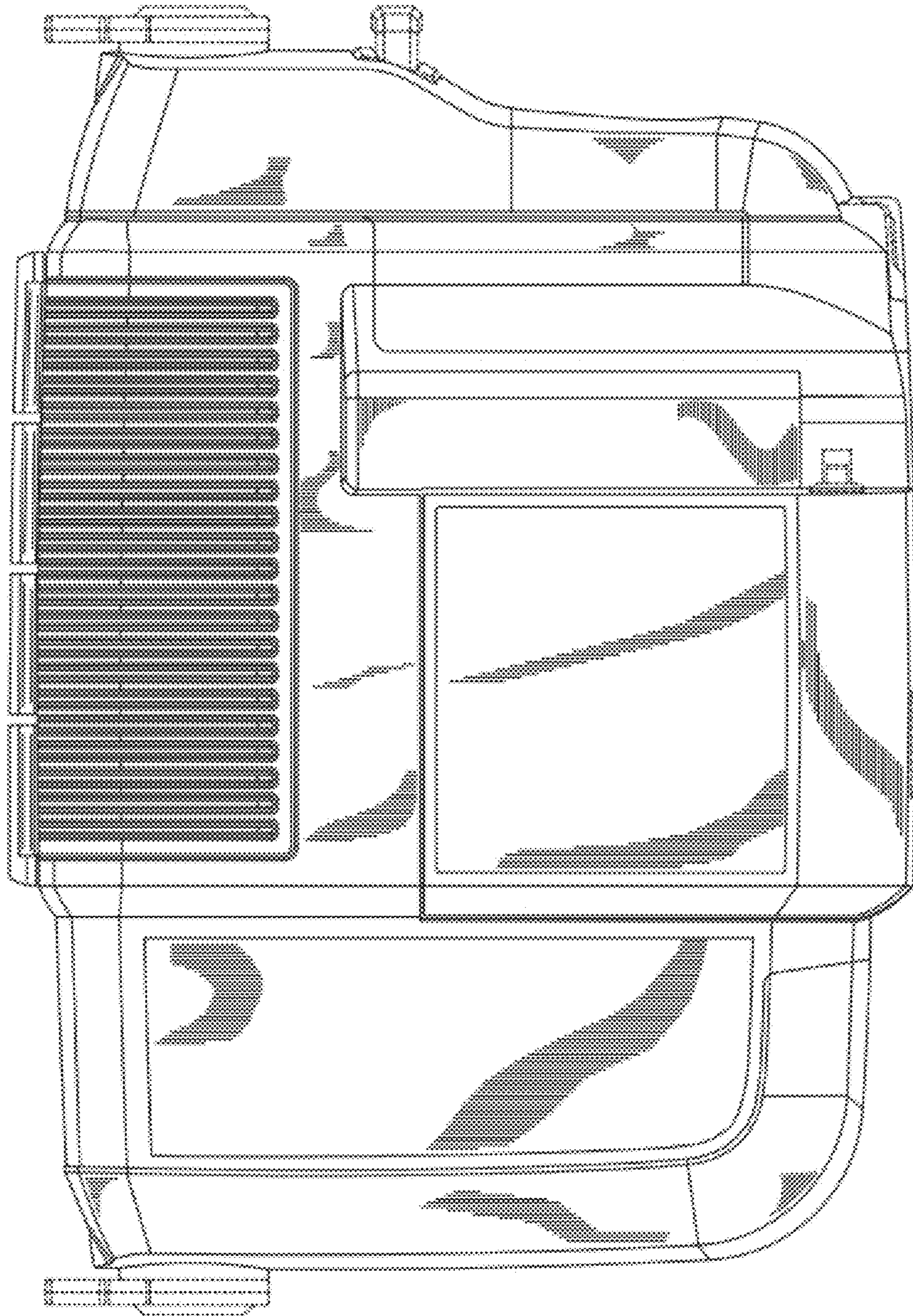


FIG. 4

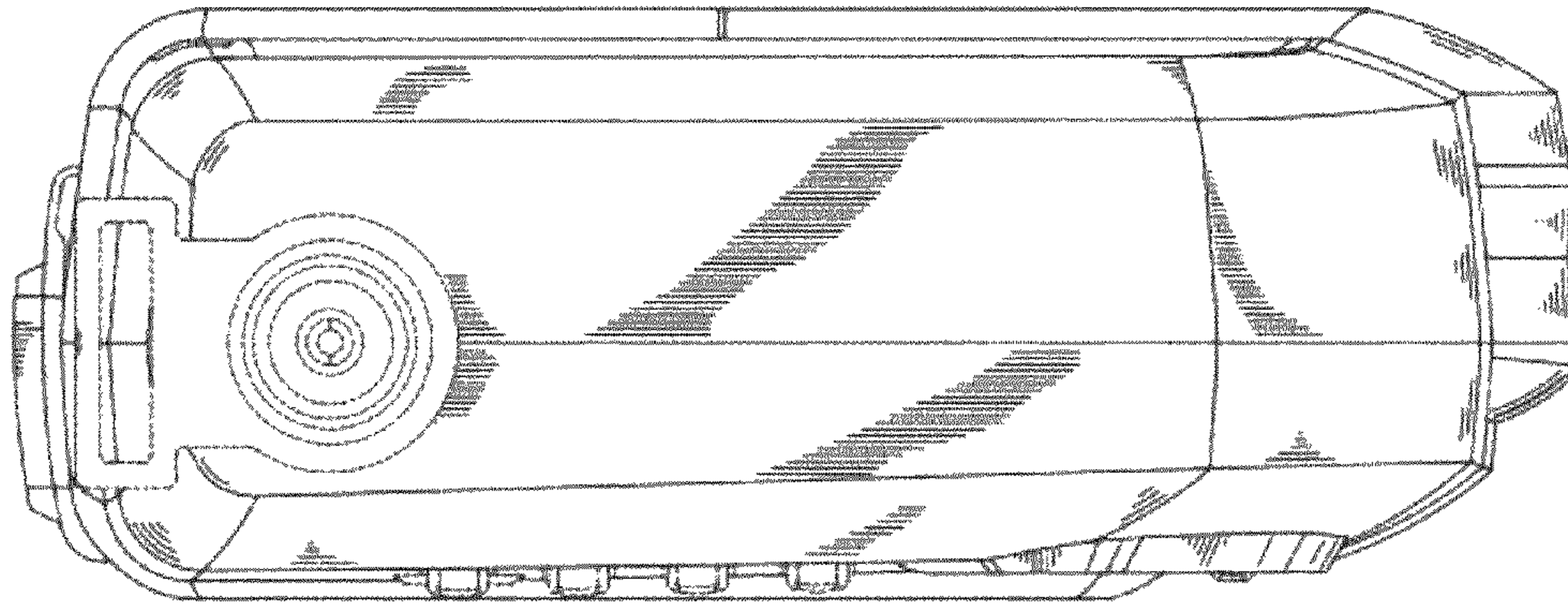


FIG. 6

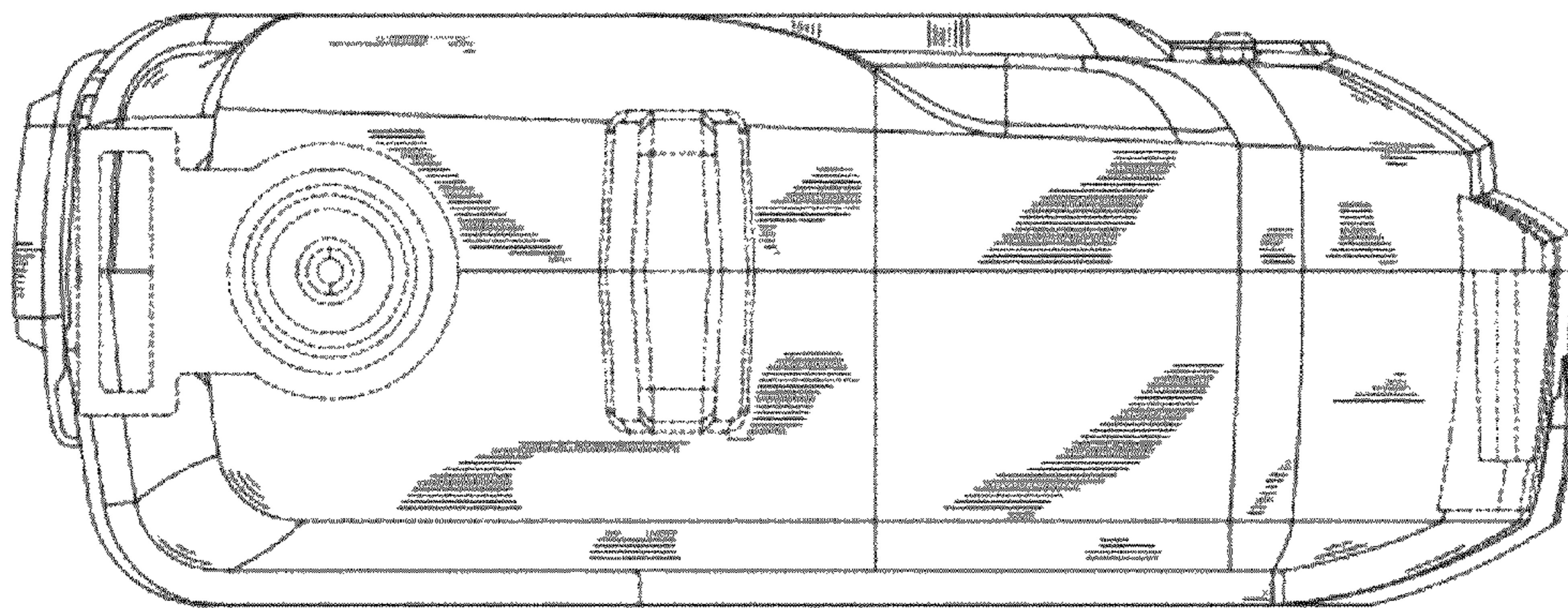


FIG. 5

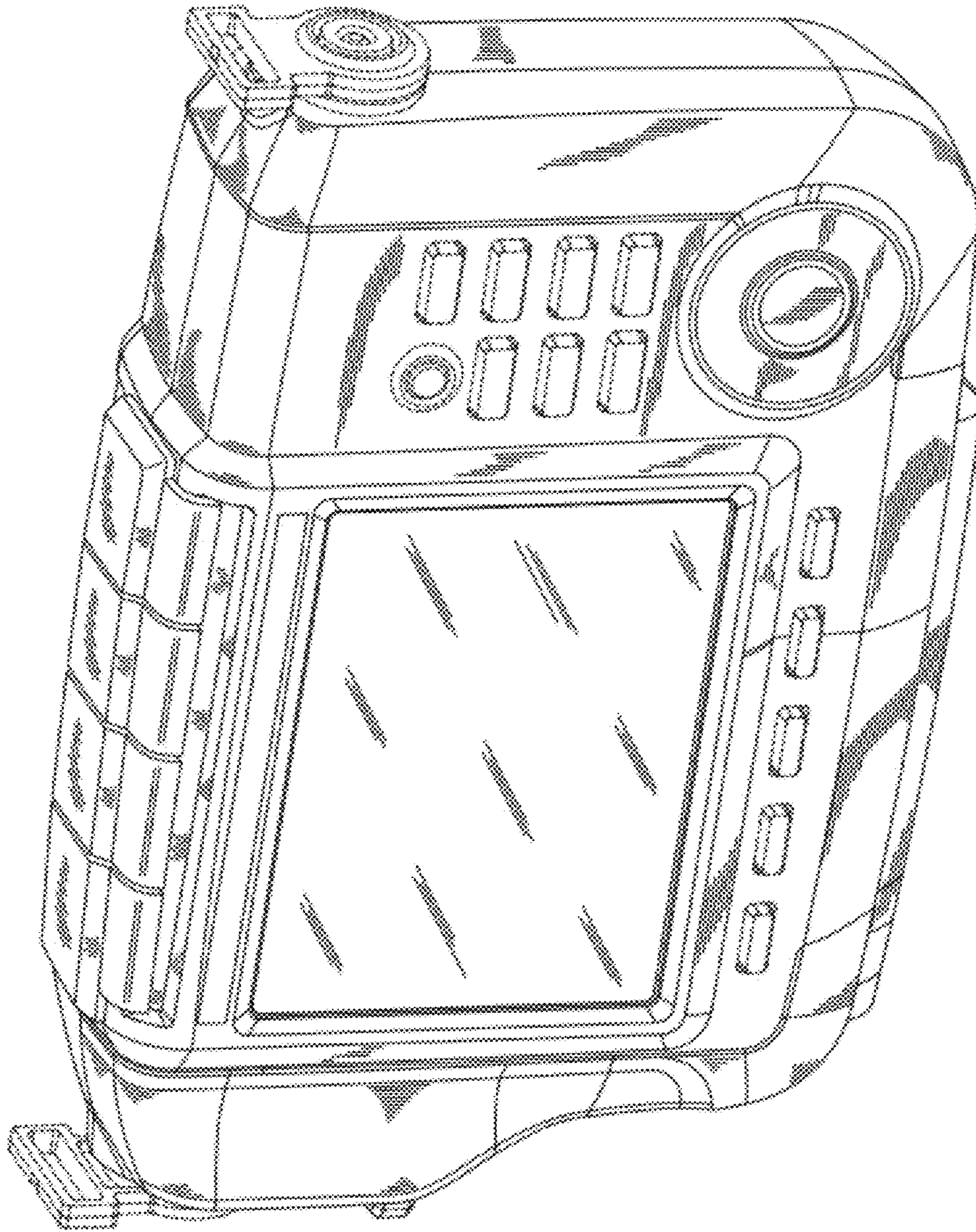


FIG. 7

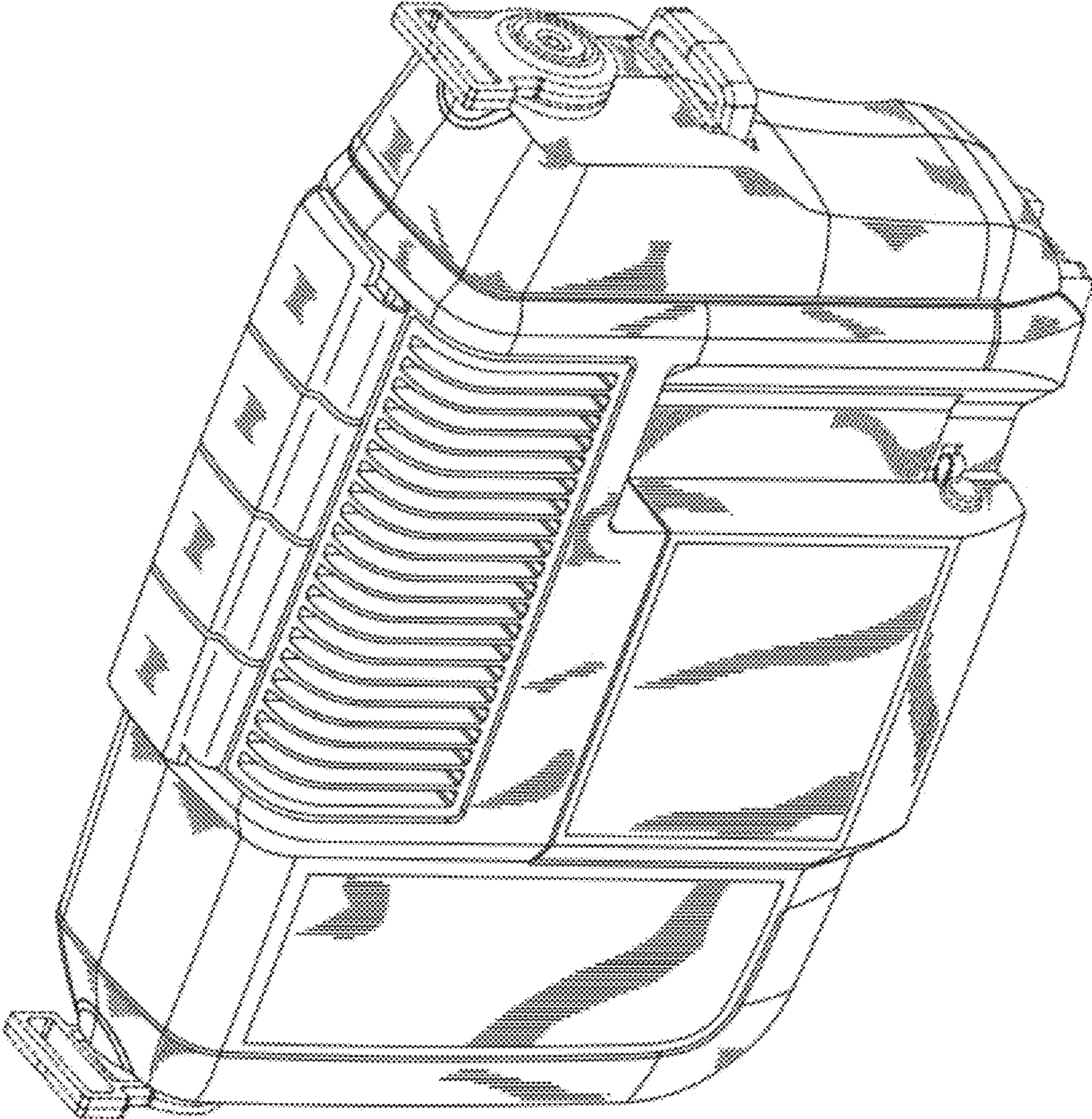


FIG. 8