

US00D660189S

(12) **United States Design Patent**
Velado et al.

(10) **Patent No.:** **US D660,189 S**
(45) **Date of Patent:** **** May 22, 2012**

(54) **TELEMATIC DEVICE**

(76) Inventors: **Nicholas F. Velado**, Pflugerville, TX
(US); **Fernando A. Velado**, Westerville,
OH (US)

(**) Term: **14 Years**

(21) Appl. No.: **29/412,503**

(22) Filed: **Feb. 3, 2012**

(51) **LOC (9) Cl.** **10-04**

(52) **U.S. Cl.** **D10/65**

(58) **Field of Classification Search** D10/65,
D10/70, 104.2, 106.6; D14/315, 336, 337,
D14/341, 342, 343, 240–242, 356–358, 371,
D14/140.1–140.6, 140, 155, 159, 137, 149,
D14/150, 217, 170–171, 125, 188, 203.3,
D14/203.4, 203.7; 342/386, 351, 419, 457,
342/357.2–357.78, 450, 458; 343/702; 345/87,
345/104, 133, 156, 168, 173, 901–905; 348/180,
348/184, 315, 739; 364/444, 499; 701/206–209,
701/213, 214

See application file for complete search history.

(56) **References Cited**

U.S. PATENT DOCUMENTS

D291,086 S	7/1987	Price
D300,032 S	2/1989	Brown et al.
D338,884 S	8/1993	Toedter
D385,533 S	10/1997	Adams
D454,882 S	3/2002	Jung
D457,823 S	5/2002	Nolan et al.
D459,667 S	7/2002	Kataoka
D469,705 S	2/2003	Siegert et al.

D540,203 S	4/2007	Jeon	
D547,308 S	7/2007	Aihara	
D564,374 S	3/2008	Wada	
D578,131 S	10/2008	Horito et al.	
D581,818 S	12/2008	Gretton	
D598,015 S	8/2009	Busri	
D626,103 S	10/2010	Buzzard et al.	
D627,244 S *	11/2010	Nakane et al. D10/65
D636,359 S	4/2011	Buzzard et al.	
D636,747 S	4/2011	Buzzard et al.	
D637,569 S	5/2011	Desai et al.	
D637,570 S	5/2011	Desai et al.	
D638,015 S	5/2011	Chong et al.	
8,018,438 B2 *	9/2011	Agata et al. 345/168
D653,132 S *	1/2012	Shimizu D10/65

* cited by examiner

Primary Examiner — Antoine D Davis

(74) *Attorney, Agent, or Firm* — Maier & Maier, PLLC

(57) **CLAIM**

The ornamental design for a telematic device, as shown and described.

DESCRIPTION

FIG. 1 is a front perspective view of a telematic device, showing our design;

FIG. 2 is a front view thereof;

FIG. 3 is a left side view thereof;

FIG. 4 is a right side view thereof;

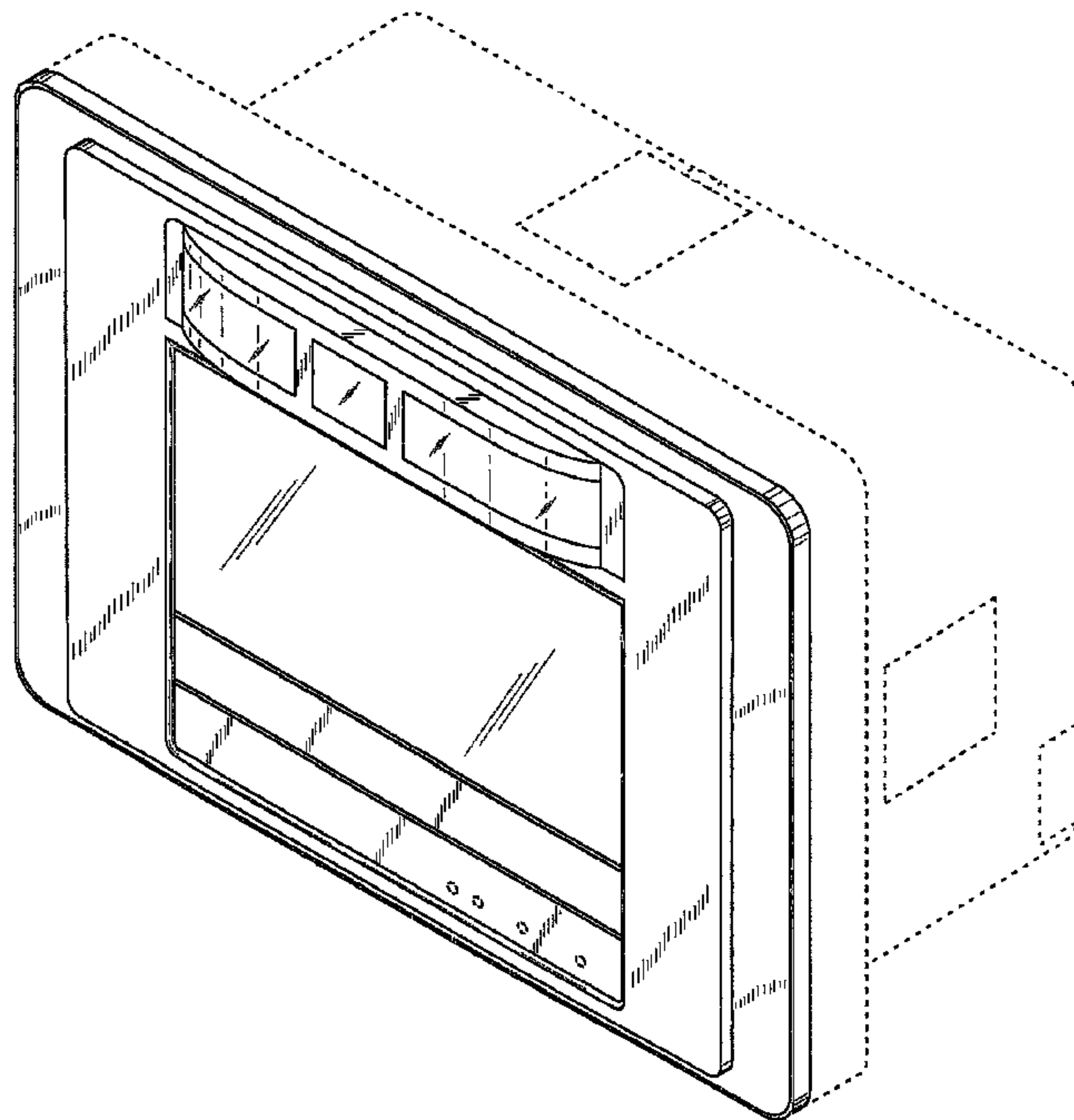
FIG. 5 is a top view thereof;

FIG. 6 is a bottom view thereof; and,

FIG. 7 is a rear view thereof.

The broken line showing of portions of the telematic device forms no part of the claimed design.

1 Claim, 6 Drawing Sheets



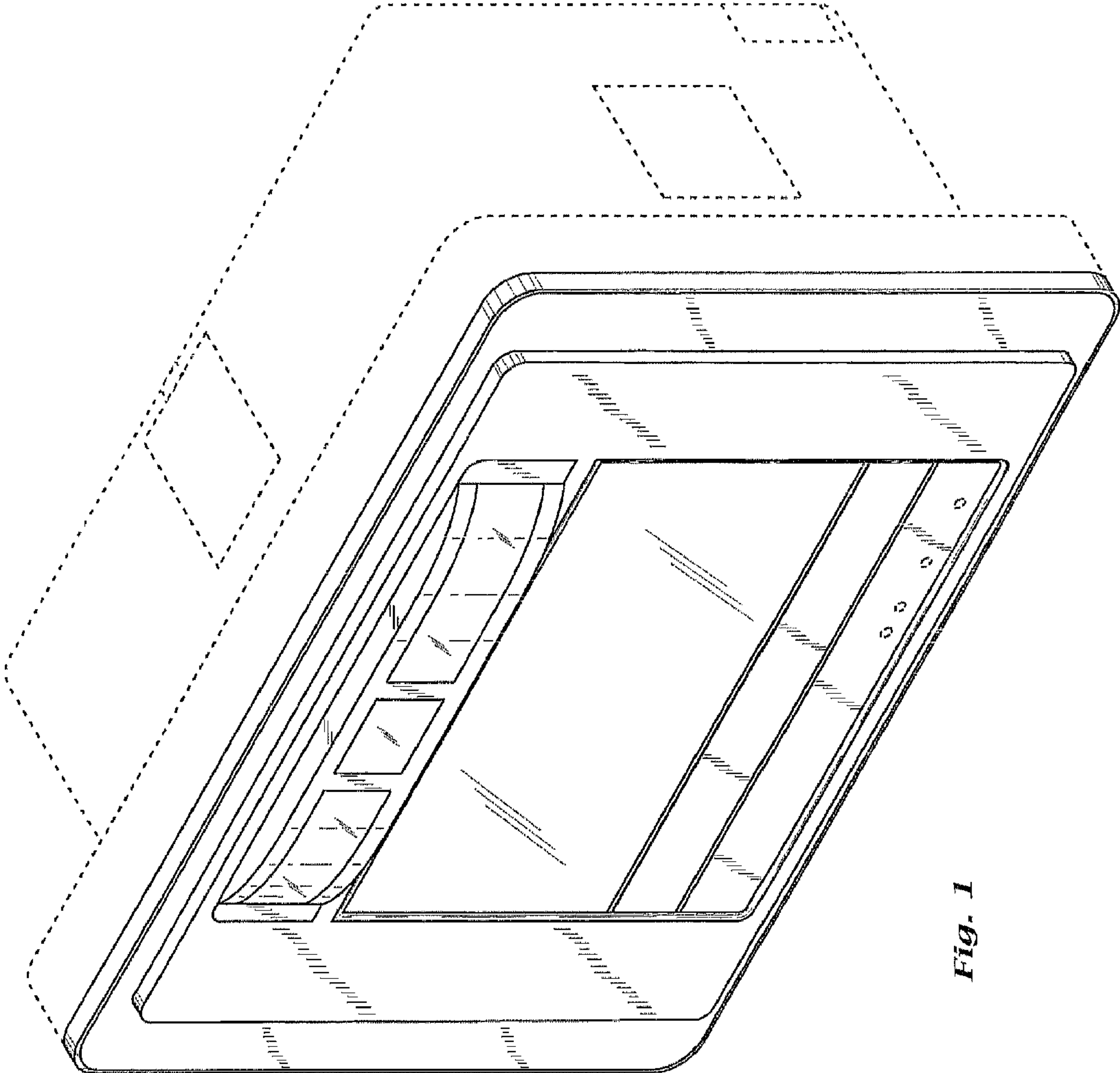


Fig. 1

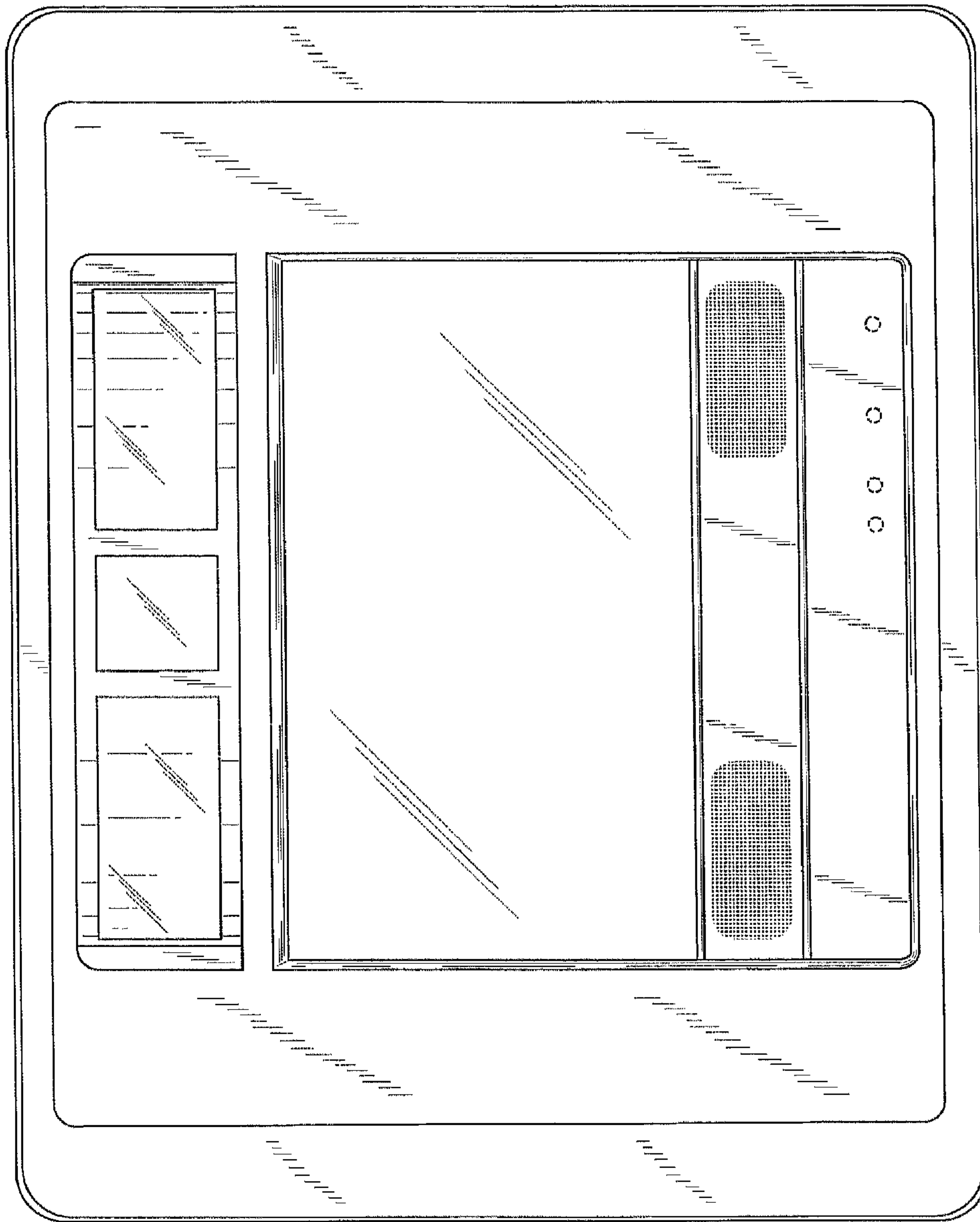


Fig. 2

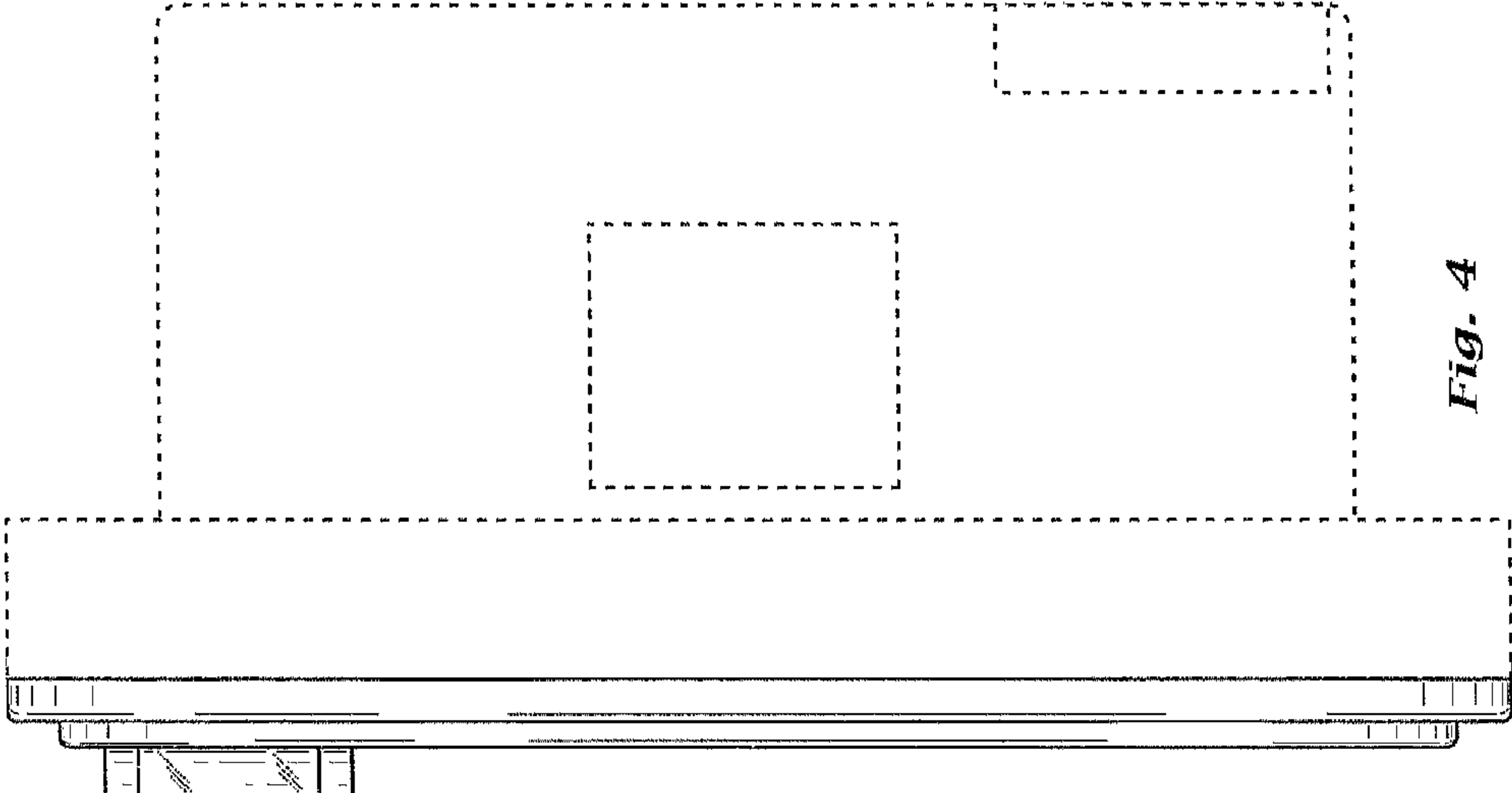


Fig. 4

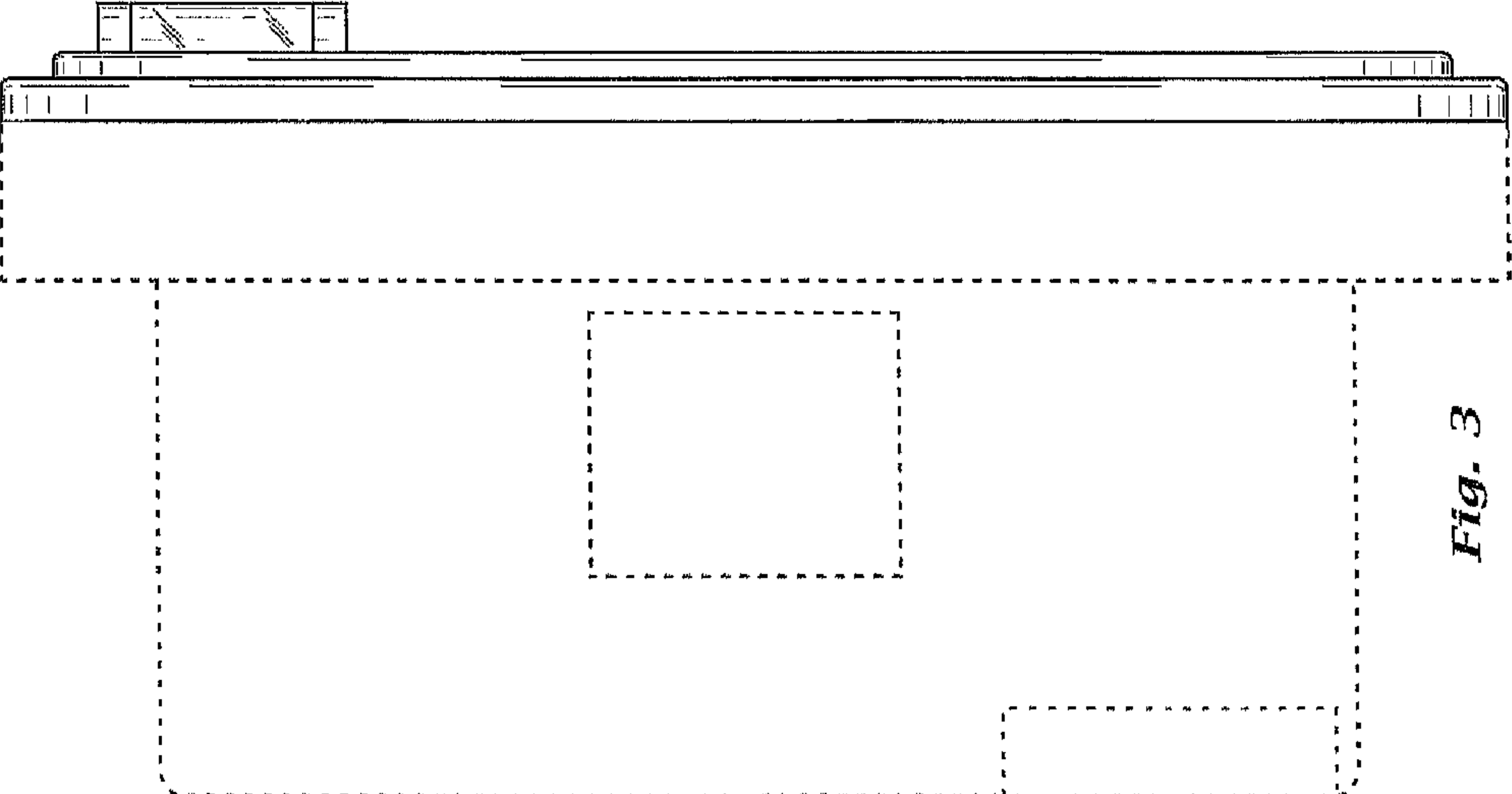


Fig. 3

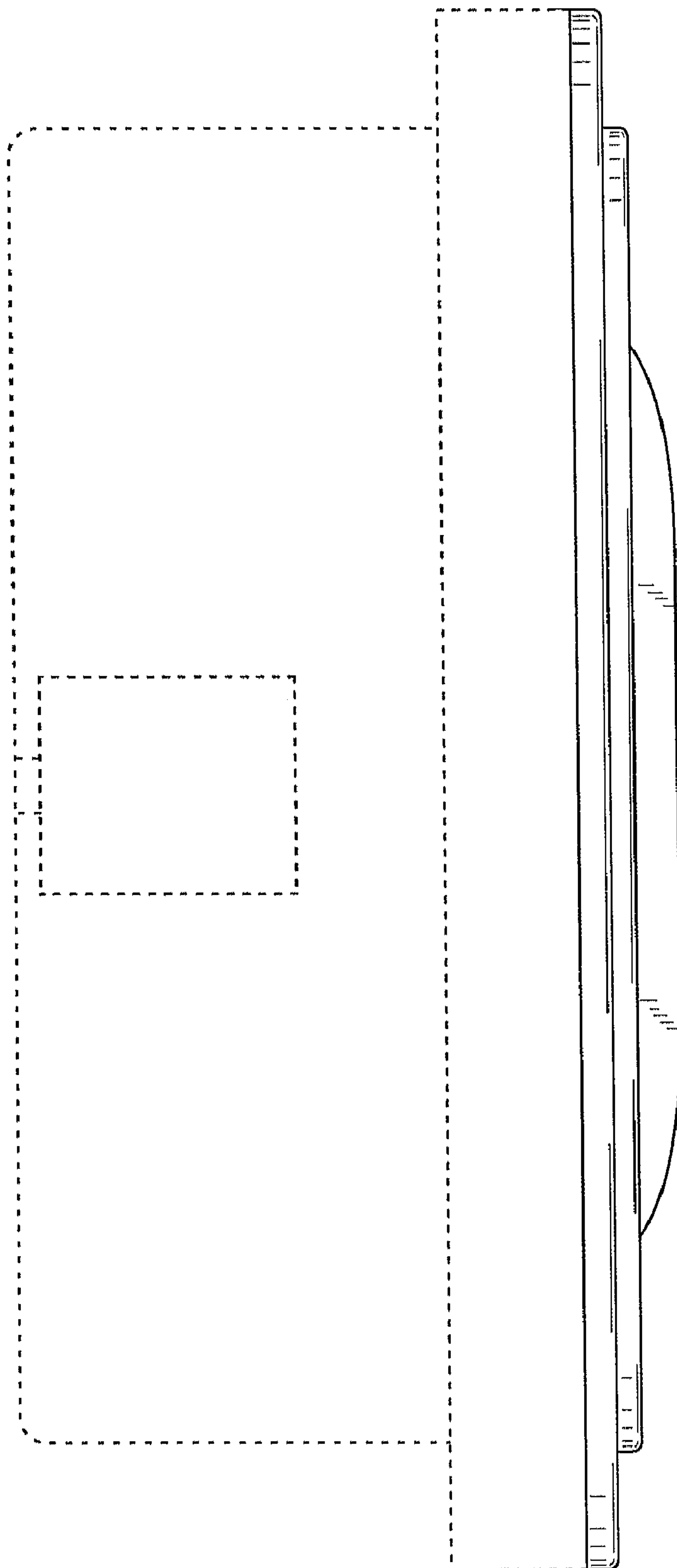


Fig. 5

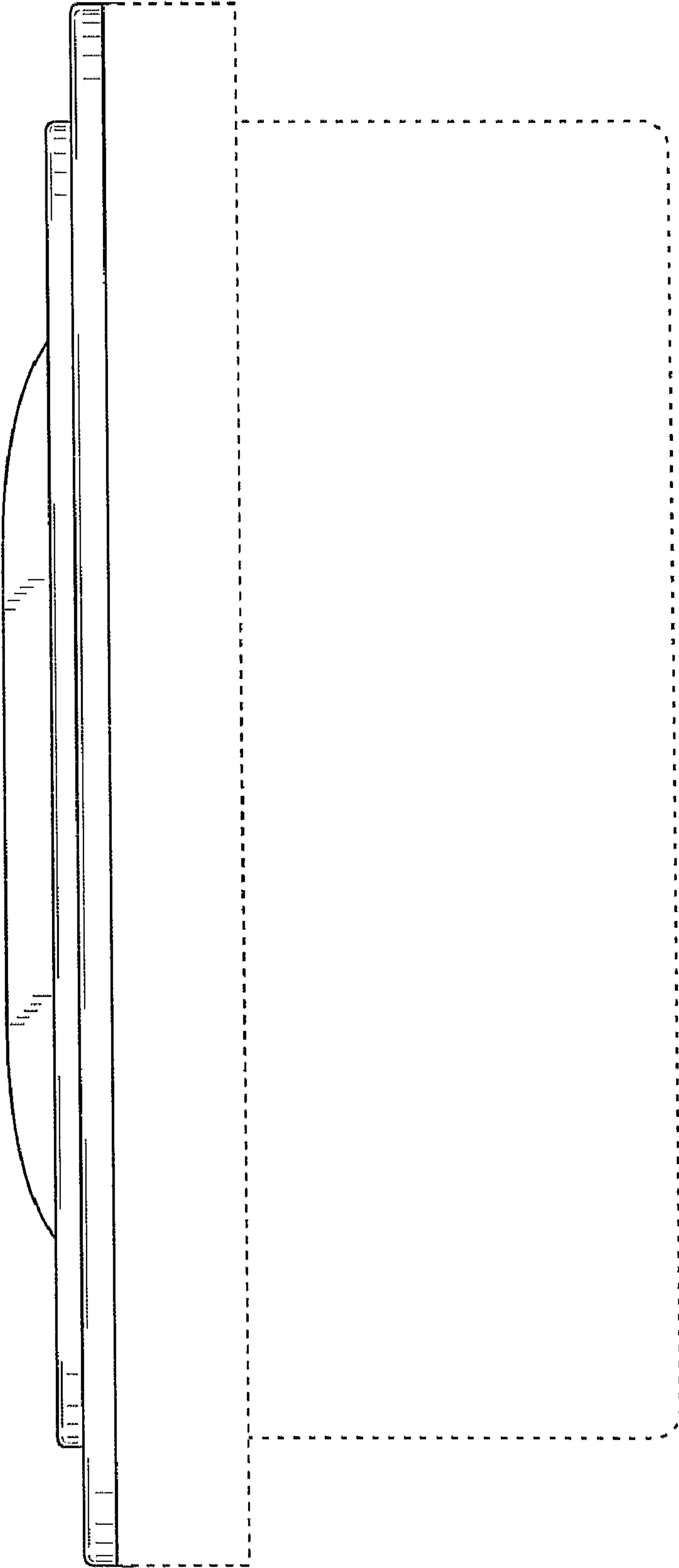


Fig. 6

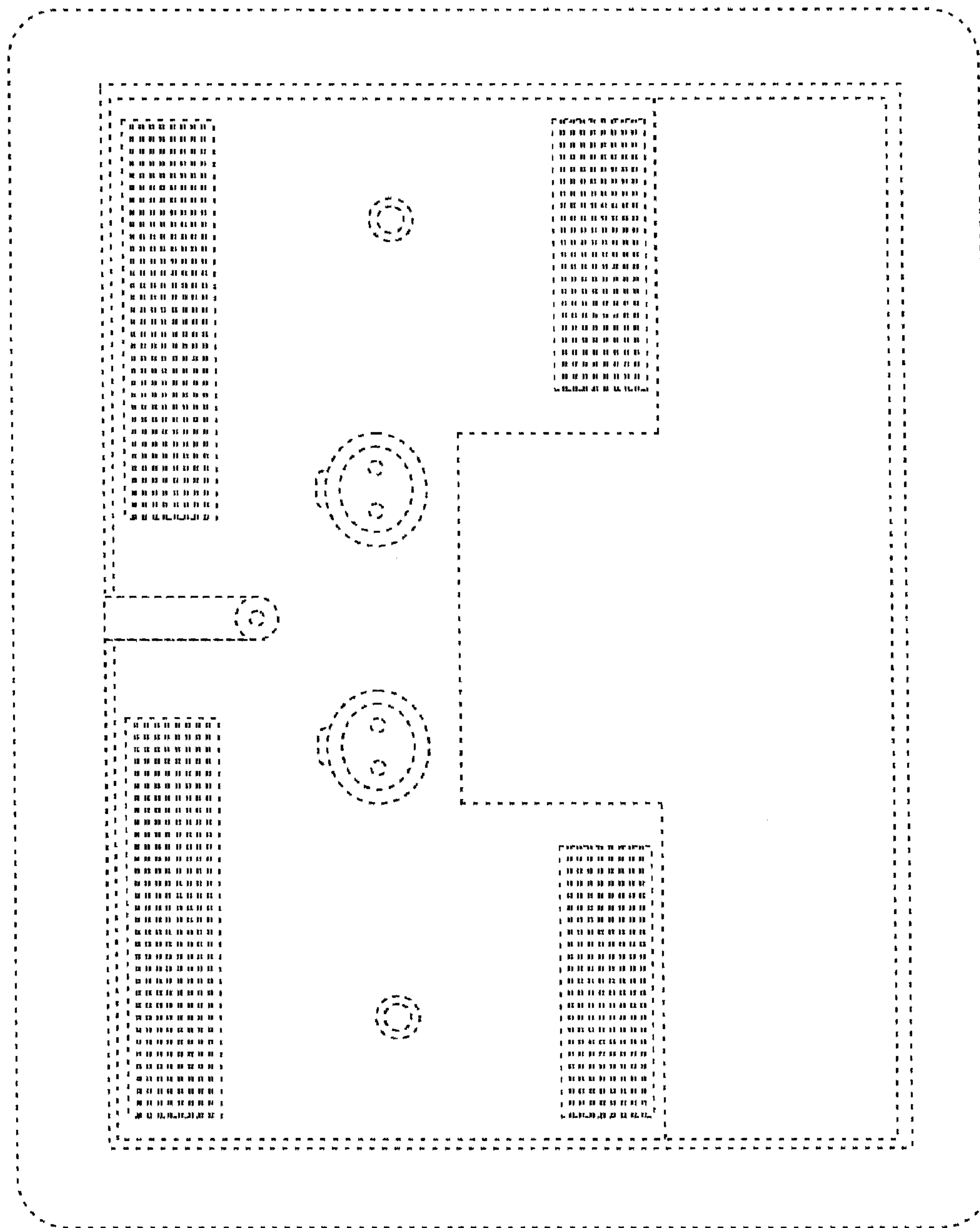


Fig. 7