



US00D660187S

(12) **United States Design Patent**
Chen

(10) **Patent No.:** **US D660,187 S**

(45) **Date of Patent:** **** May 22, 2012**

(54) **NOISE DOSIMETRY**

(76) Inventor: **Li-Chuan Chen**, Taipei (TW)

(**) Term: **14 Years**

(21) Appl. No.: **29/385,654**

(22) Filed: **Feb. 17, 2011**

(51) **LOC (9) Cl.** **10-04**

(52) **U.S. Cl.** **D10/47**

(58) **Field of Classification Search** D10/47;
250/483.1, 484.2, 484.3, 336.1; 381/56,
381/57, 94.1

See application file for complete search history.

(56) **References Cited**

U.S. PATENT DOCUMENTS

2002/0146136	A1*	10/2002	Carter, Jr.	381/59
2004/0190729	A1*	9/2004	Yonovitz et al.	381/72
2005/0244013	A1*	11/2005	Battenberg et al.	381/57
2008/0279392	A1*	11/2008	Correia et al.	381/94.1
2010/0034395	A1*	2/2010	Lundin	381/57
2010/0056227	A1*	3/2010	Hayakawa et al.	381/94.1
2010/0067708	A1*	3/2010	Groth	381/56

* cited by examiner

Primary Examiner — Antoine D Davis

(74) *Attorney, Agent, or Firm* — WPAT, P.C.; Anthony King

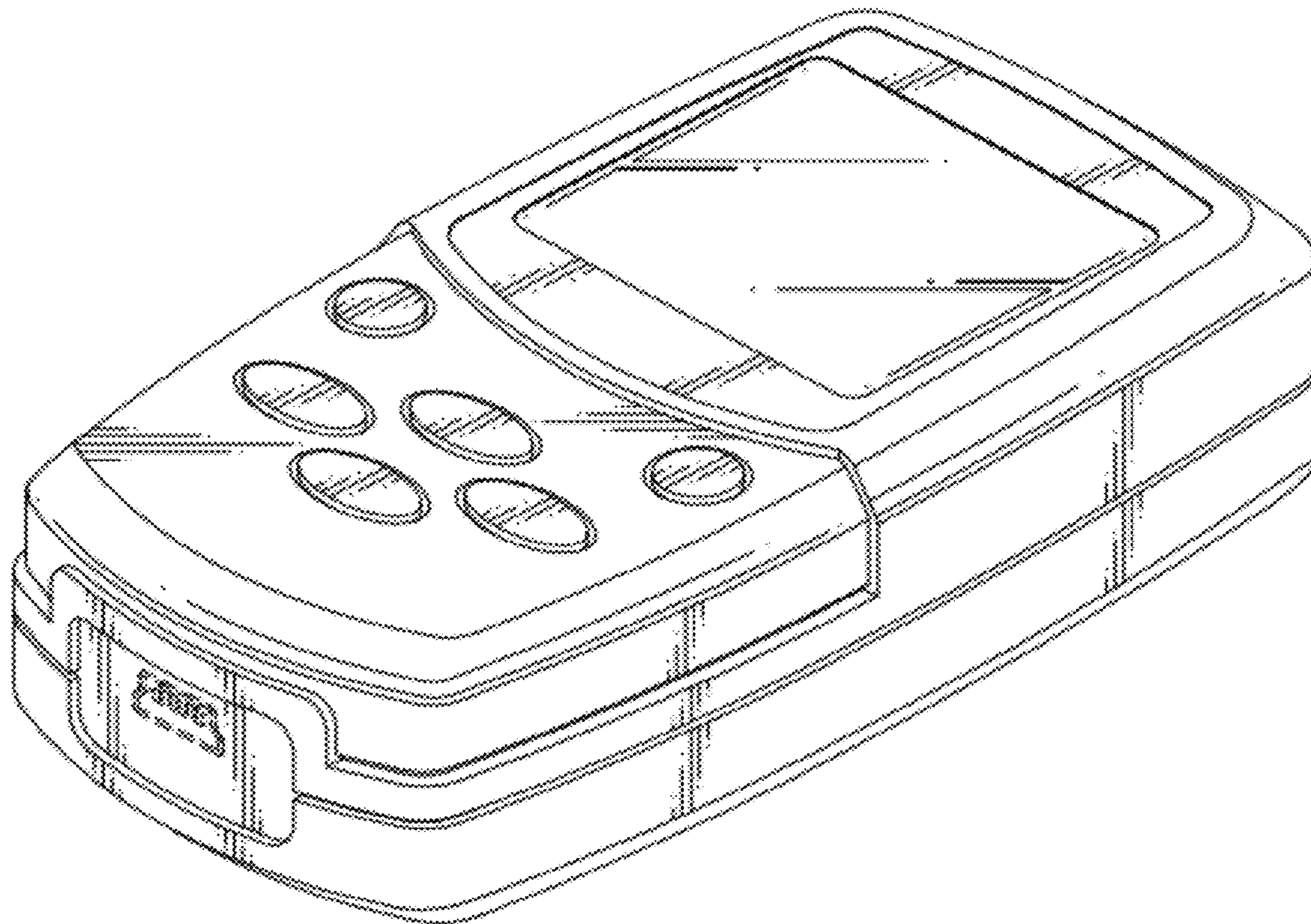
(57) **CLAIM**

The ornamental design for a noise dosimetry, as shown and described.

DESCRIPTION

FIG. 1 is a perspective view of a noise dosimetry showing my new design;
 FIG. 2 is a front view thereof;
 FIG. 3 is a rear view thereof;
 FIG. 4 is a left side view thereof;
 FIG. 5 is a right side view thereof;
 FIG. 6 is a top view thereof;
 FIG. 7 is a bottom view thereof;
 FIG. 8 is a perspective view thereof, wherein the buttons are covered by a transparent cover that prevents inadvertently touching the buttons; and,
 FIG. 9 is an exploded perspective view thereof, wherein the transparent cover is detached.
 The broken lines are shown for illustrative purposes only and form no part of the claimed design.

1 Claim, 9 Drawing Sheets



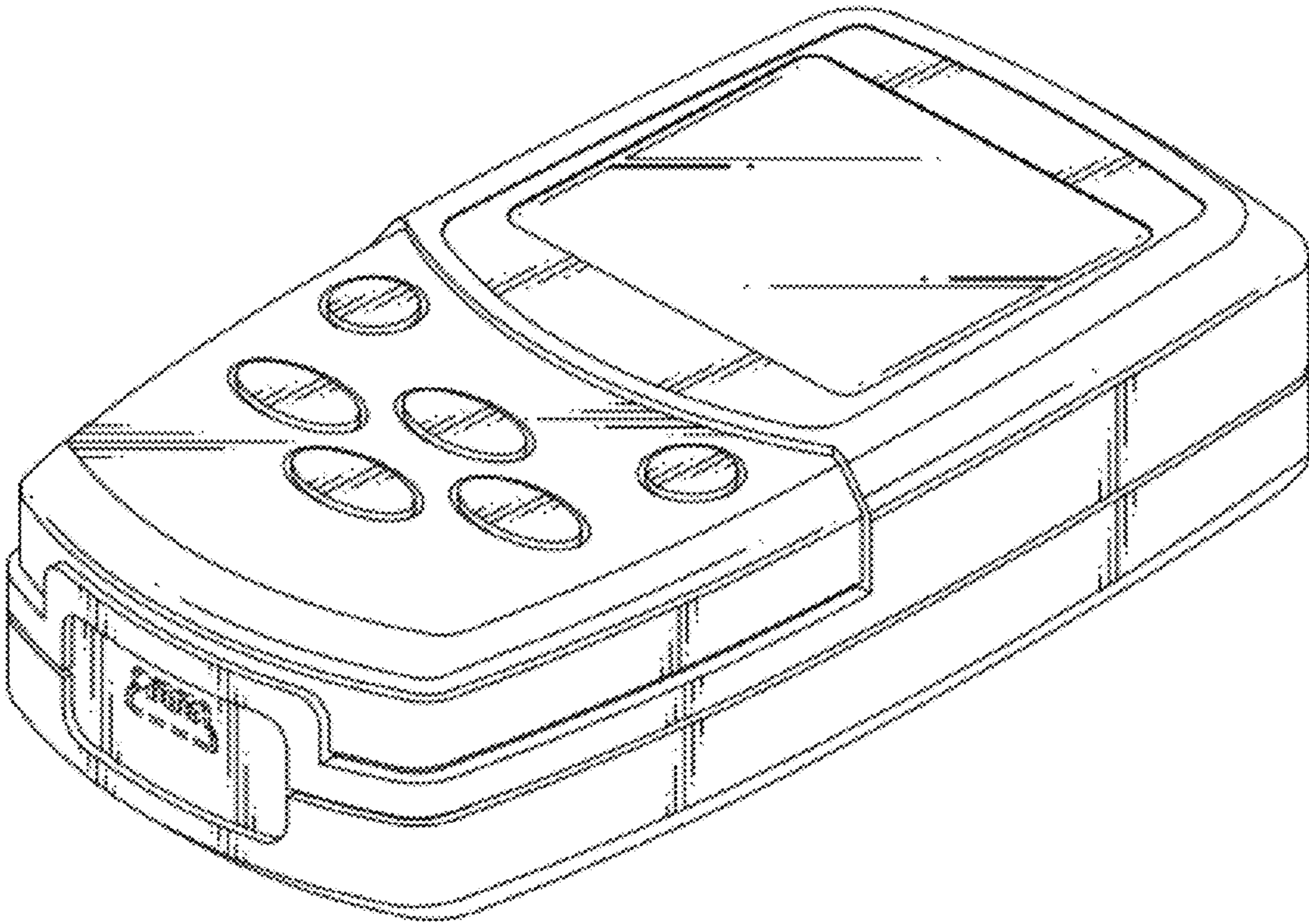


FIG.1

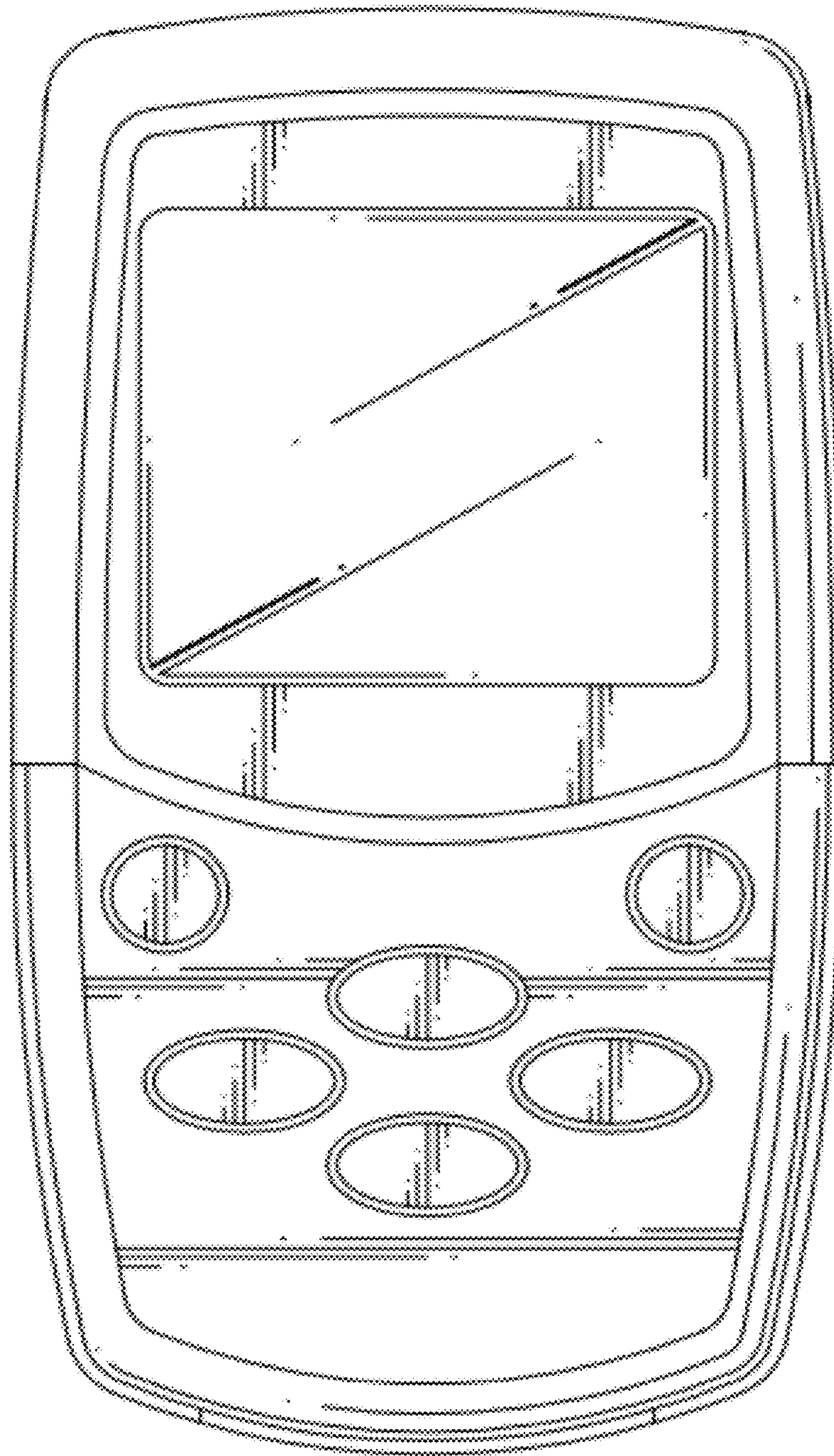


FIG.2

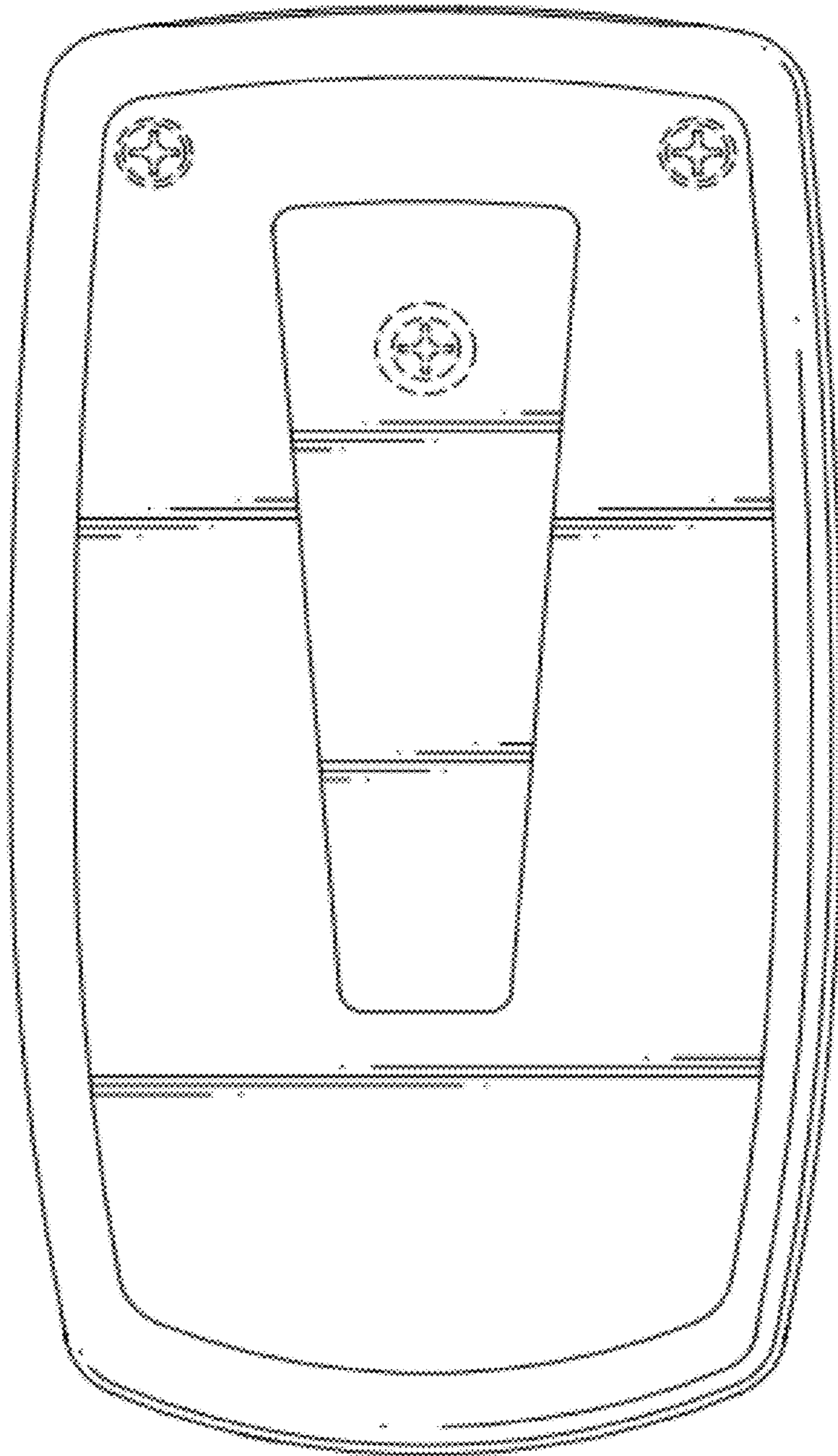


FIG. 3

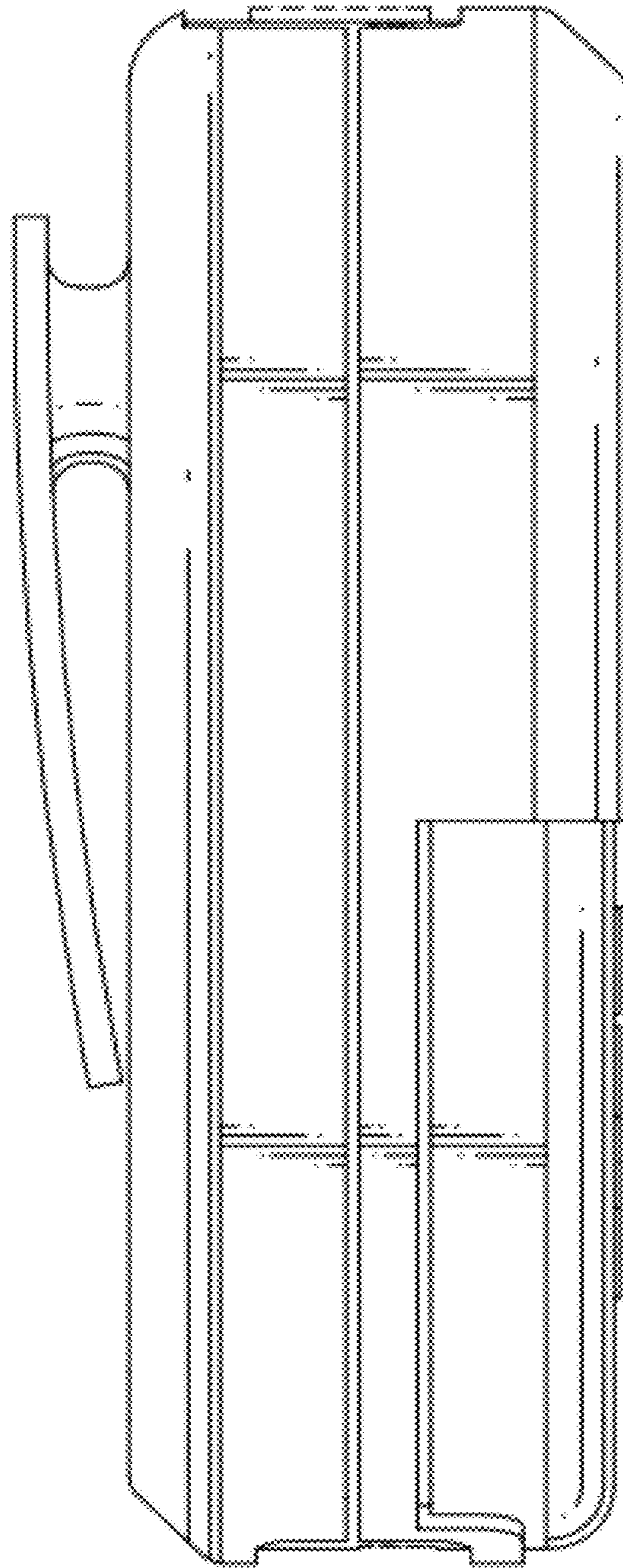


FIG.4

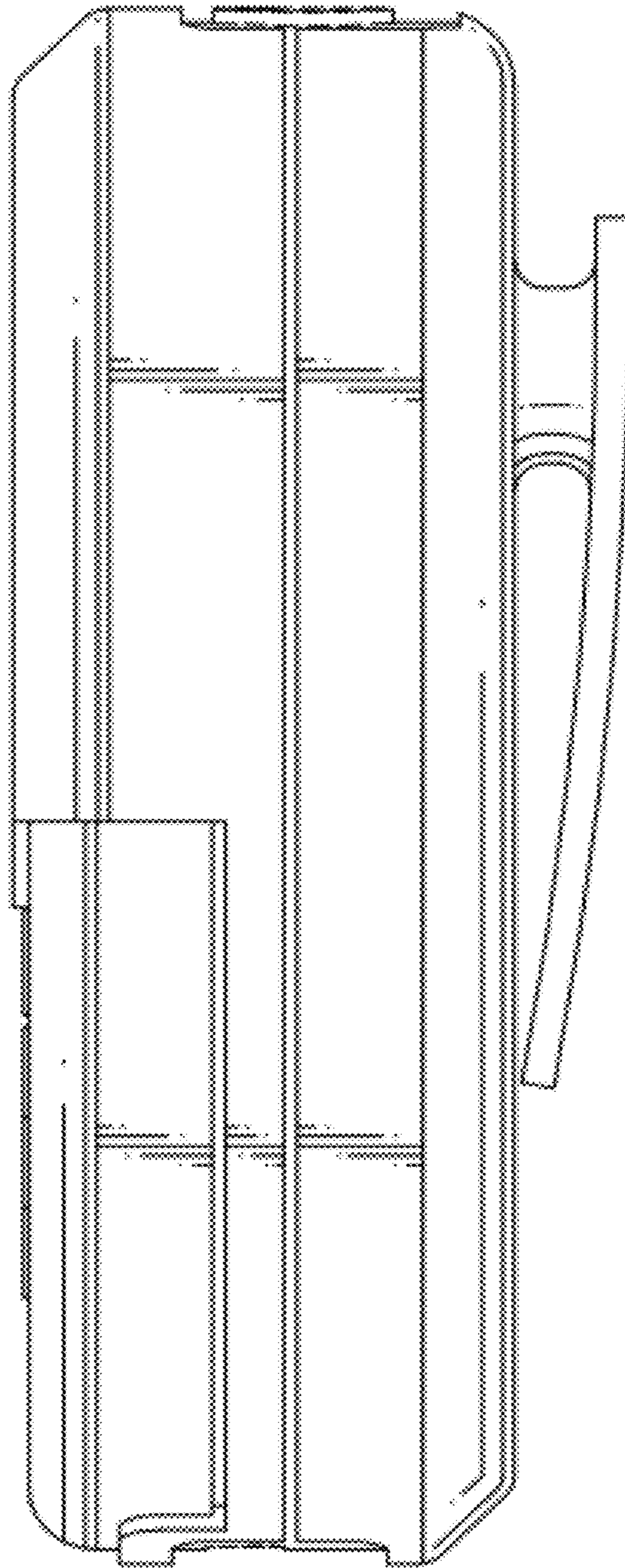


FIG.5

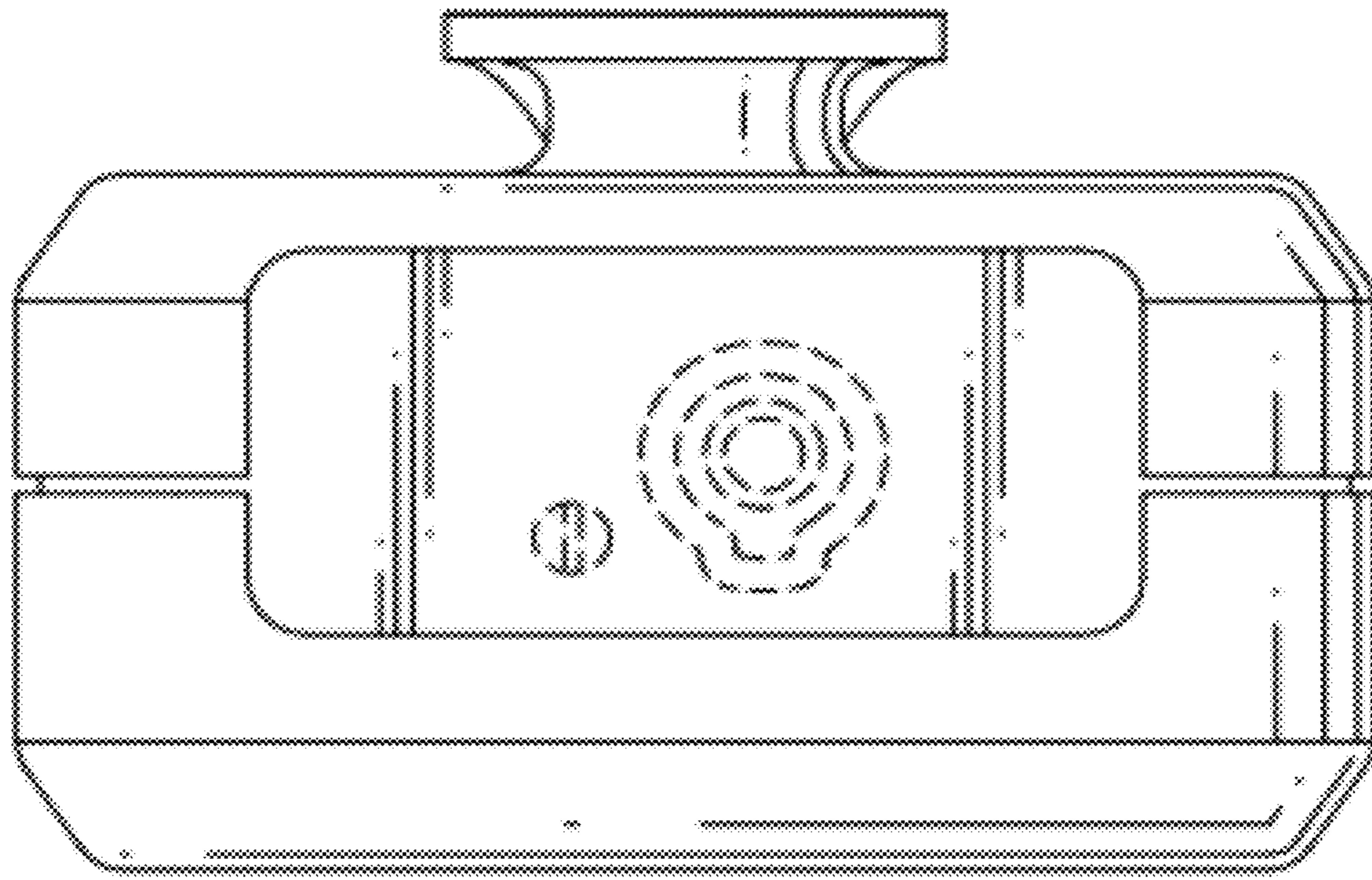


FIG. 6

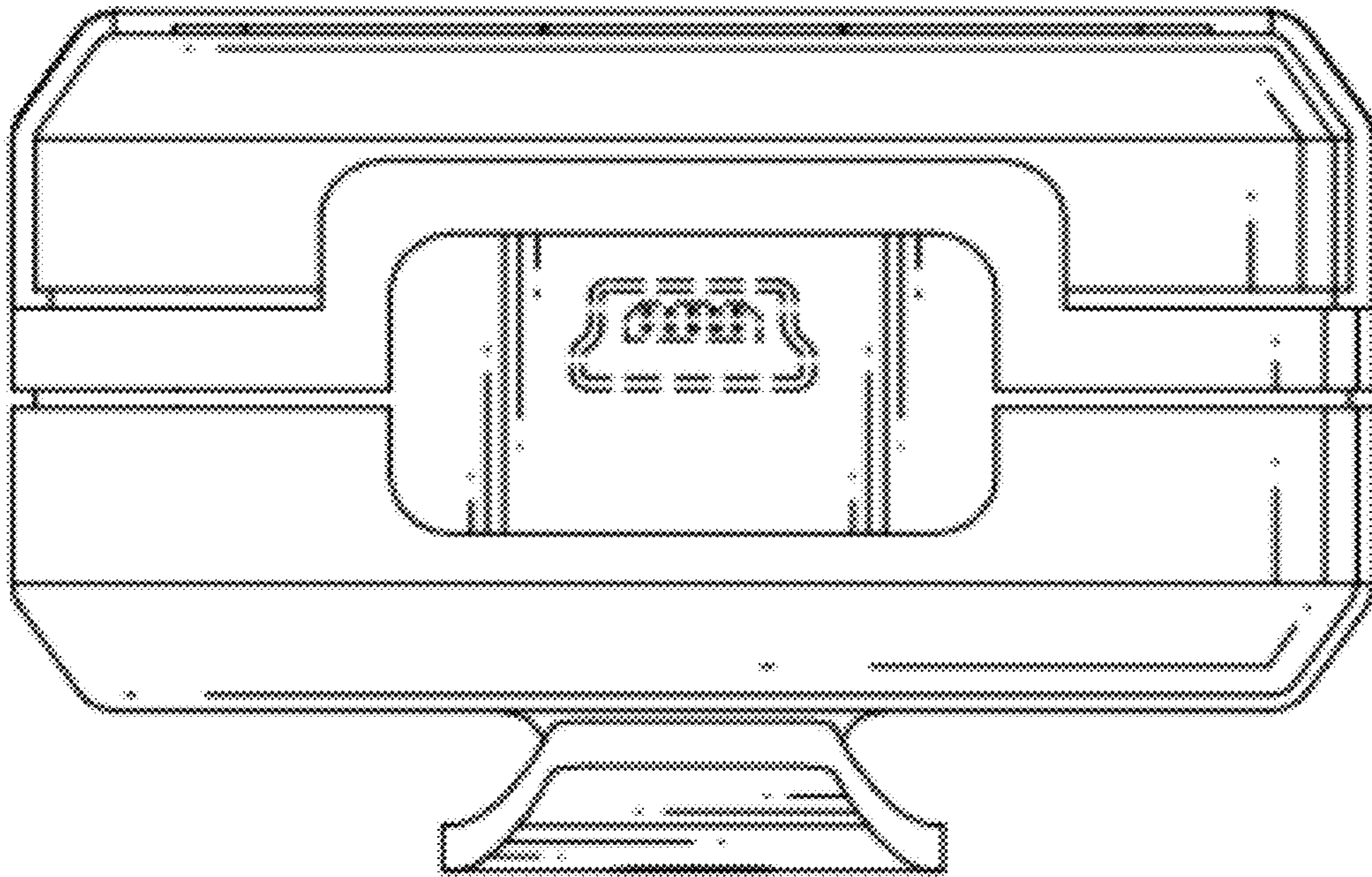


FIG. 7

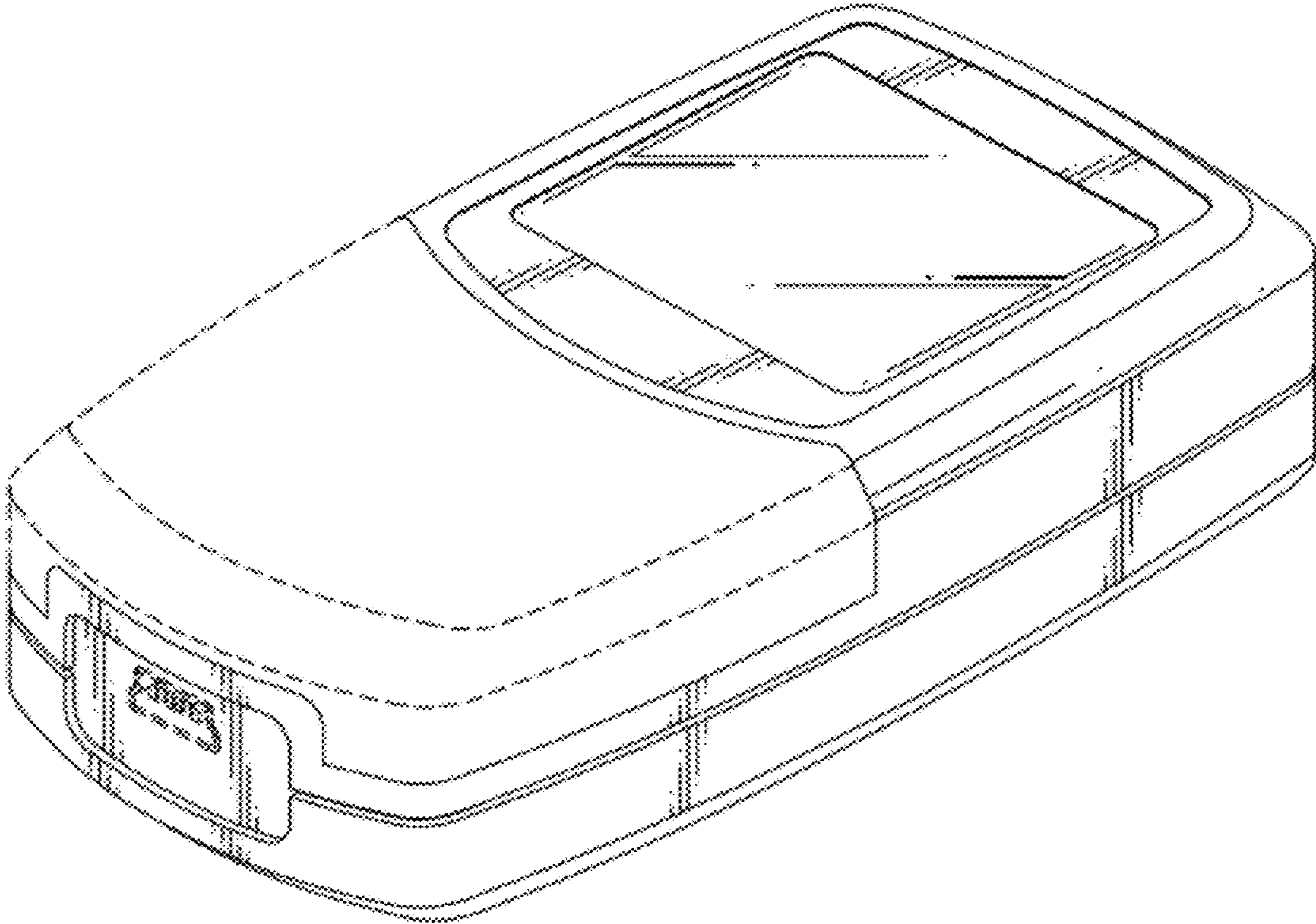


FIG.8

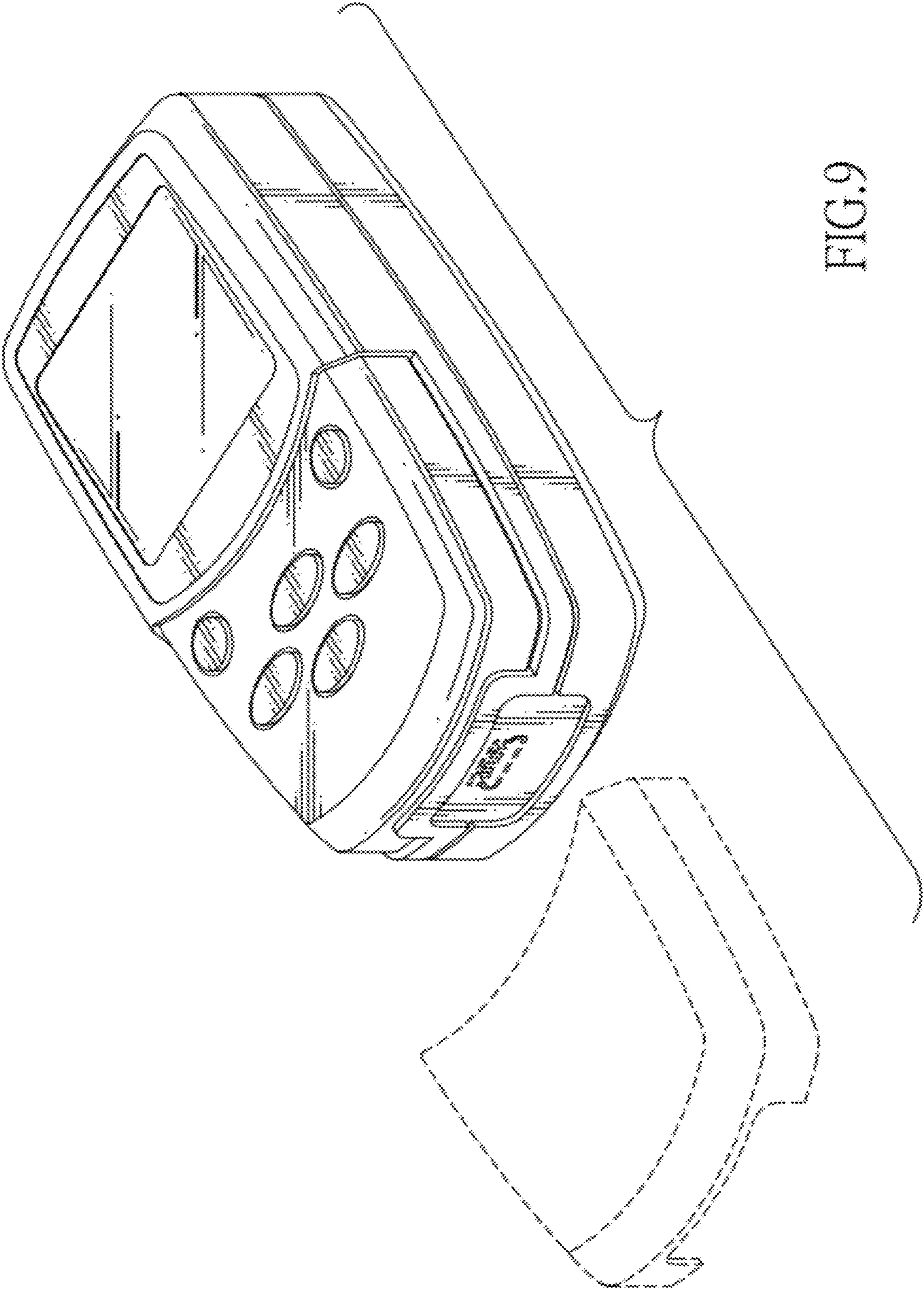


FIG. 9