



US00D660186S

(12) **United States Design Patent**
Williams et al.

(10) **Patent No.:** **US D660,186 S**

(45) **Date of Patent:** **** May 22, 2012**

(54) **MEASURING CUP**

(75) Inventors: **Benjamin P. Williams**, Houlton, WI (US); **Patrick R. O'Connell**, St. Louis Park, MN (US); **Stacy L. Abel**, Maple Grove, MN (US)

(73) Assignee: **Target Brands, Inc.**, Minneapolis, MN (US)

(**) Term: **14 Years**

(21) Appl. No.: **29/408,485**

(22) Filed: **Dec. 13, 2011**

(51) **LOC (9) Cl.** **10-04**

(52) **U.S. Cl.** **D10/46.2**

(58) **Field of Classification Search** D10/46.2,
D10/46.3; D7/312-322; 73/426-429

See application file for complete search history.

(56) **References Cited**

U.S. PATENT DOCUMENTS

6,769,302	B1 *	8/2004	King et al.	73/427
D548,114	S *	8/2007	Sawhney et al.	D10/46.2
D559,634	S *	1/2008	Chan	D7/668
D562,160	S *	2/2008	Cohen	D10/46.2
D580,798	S *	11/2008	Barber	D10/46.2
7,753,206	B2 *	7/2010	Sawhney et al.	206/514
D620,817	S *	8/2010	Eide et al.	D10/46.2
2006/0174694	A1 *	8/2006	Horst	73/32 R

OTHER PUBLICATIONS

Pyrex® Products, "Pyrex® 8-cup Measuring Cup w/ Red Plastic Cover," 1 page, <http://www.pyrexware.com/index.asp?pageId=13&CatID=379&SubCatID=391&upc=71160060463>, (last viewed Aug. 25, 2011).

Anchor Hocking, "Batter Bowl," pp. 1-2, http://www.anchorhocking.com/prodd_4816_cat_23_batter_bowl.html, (last viewed Aug. 25, 2011).

* cited by examiner

Primary Examiner — Terry Wallace

(74) *Attorney, Agent, or Firm* — Leanne Taveggia Farrell; Westman, Champlin & Kelly, P.A.

(57) **CLAIM**

The ornamental design for a measuring cup, as shown and described.

DESCRIPTION

FIG. 1 is a perspective view of a first embodiment of the measuring cup;

FIG. 2 is a front view of the measuring cup illustrated in FIG. 1;

FIG. 3 is a back view of the measuring cup illustrated in FIG. 1;

FIG. 4 is a top view of the measuring cup illustrated in FIG. 1;

FIG. 5 is a bottom view of the measuring cup illustrated in FIG. 1;

FIG. 6 is a right side view of the measuring cup illustrated in FIG. 1;

FIG. 7 is a left side view of the measuring cup illustrated in FIG. 1;

FIG. 8 is a perspective view of a second embodiment of the measuring cup;

FIG. 9 is a front view of the measuring cup illustrated in FIG. 8;

FIG. 10 is a back view of the measuring cup illustrated in FIG. 8;

FIG. 11 is a top view of the measuring cup illustrated in FIG. 8;

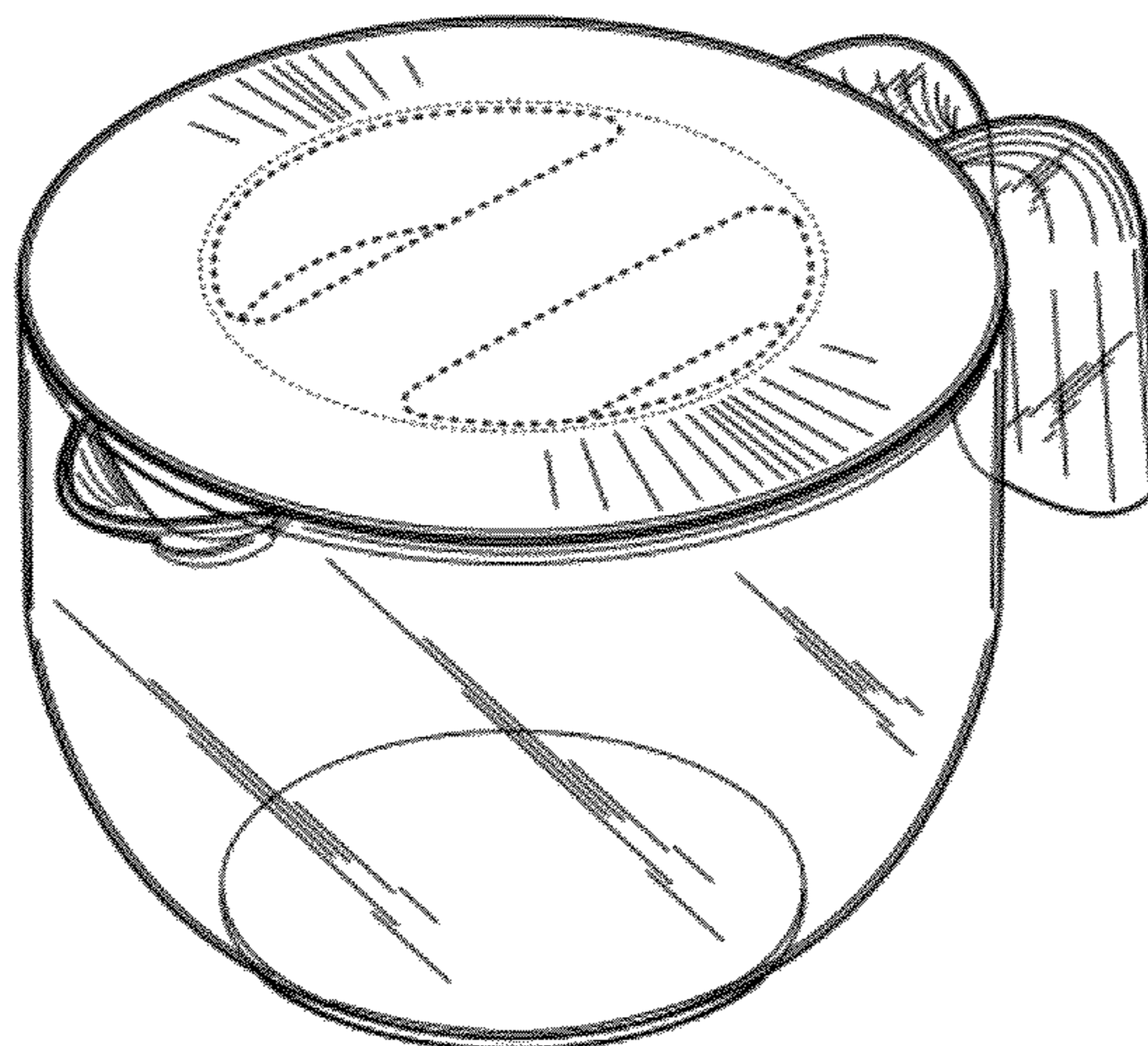
FIG. 12 is a bottom view of the measuring cup illustrated in FIG. 8;

FIG. 13 is a right side view of the measuring cup illustrated in FIG. 8; and,

FIG. 14 is a left side view of the measuring cup illustrated in FIG. 8.

The broken lines illustrated in FIGS. 1-11 and FIGS. 13-14 form no part of the claimed design.

1 Claim, 8 Drawing Sheets



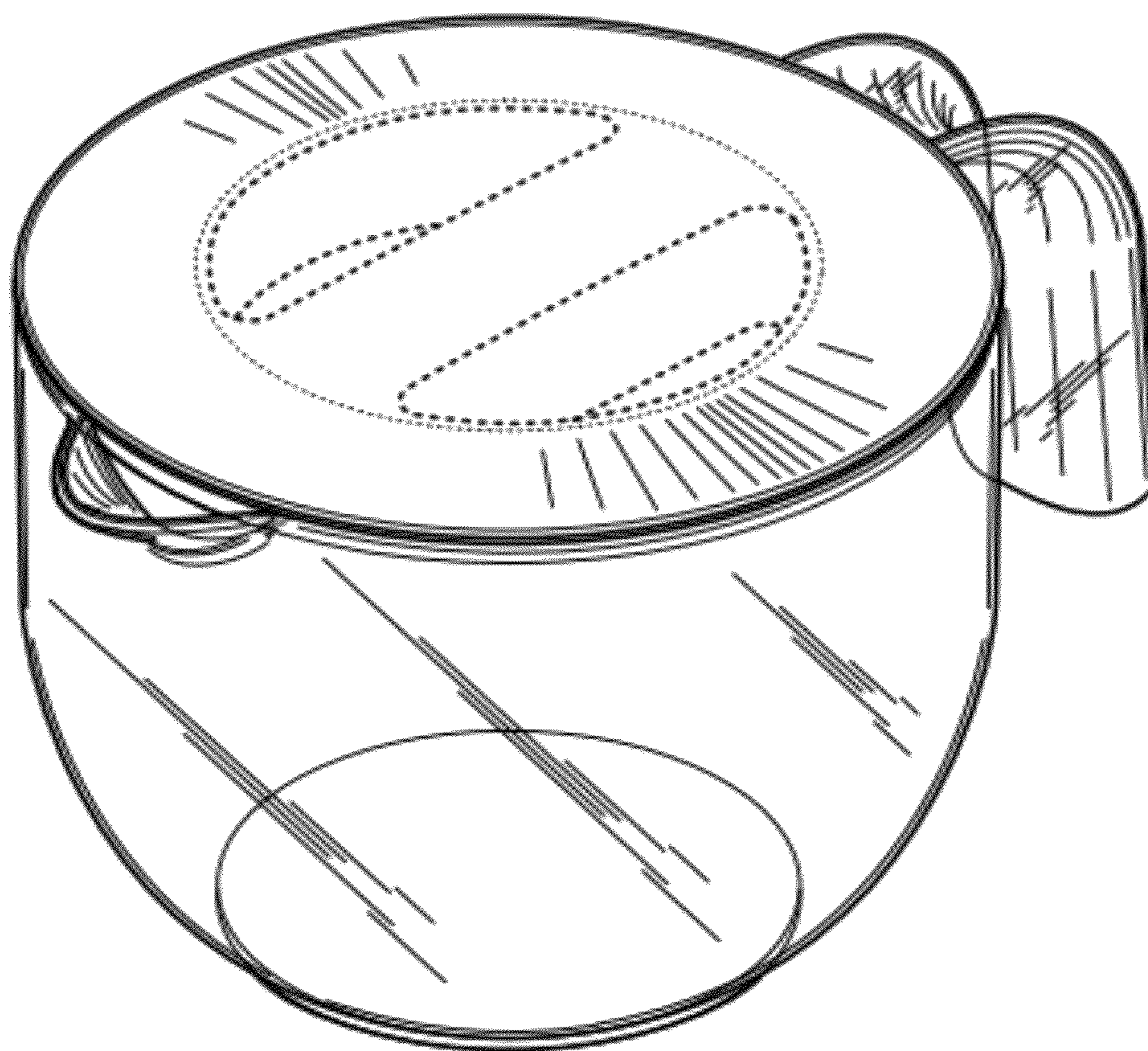


Fig. 1

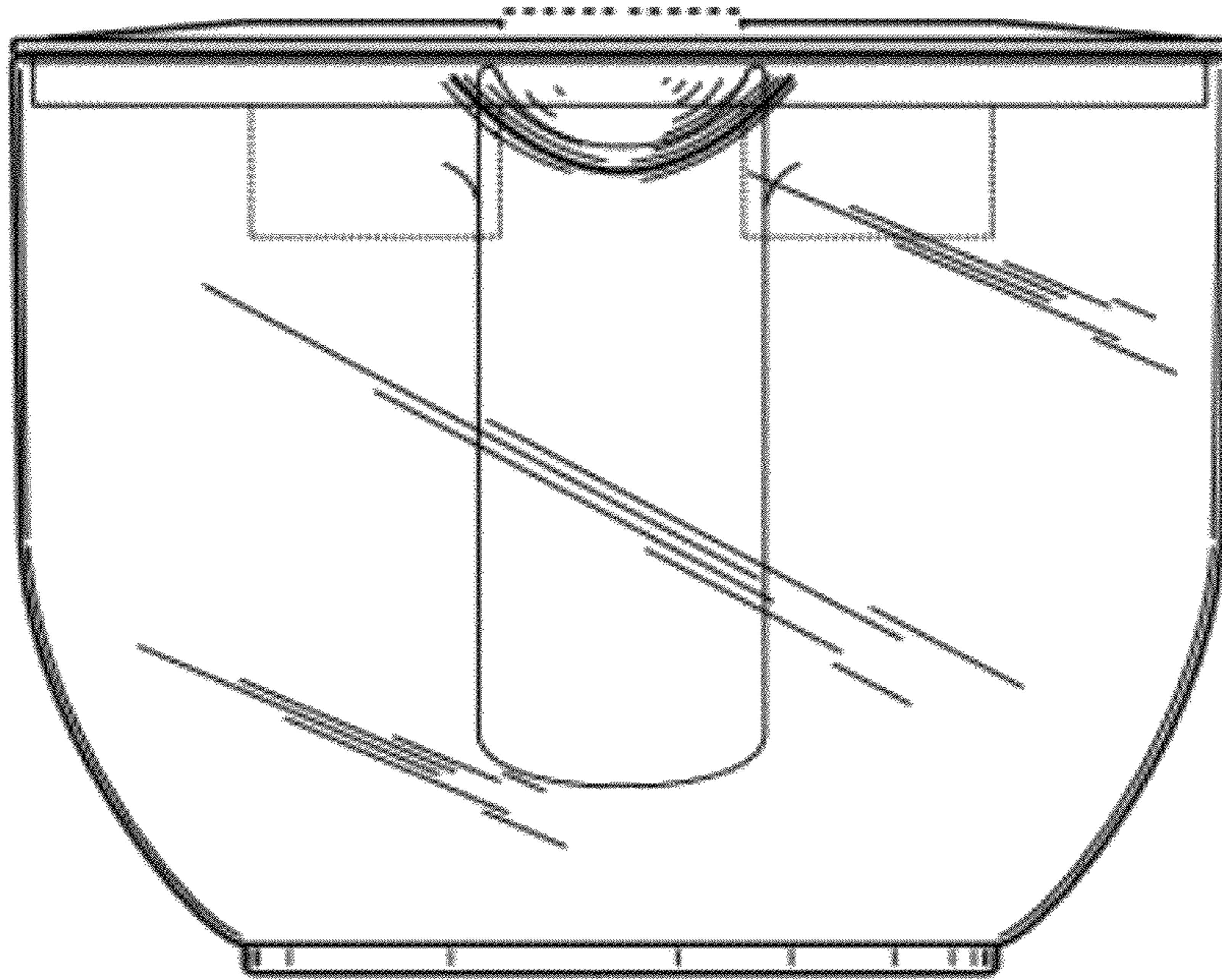


Fig. 2

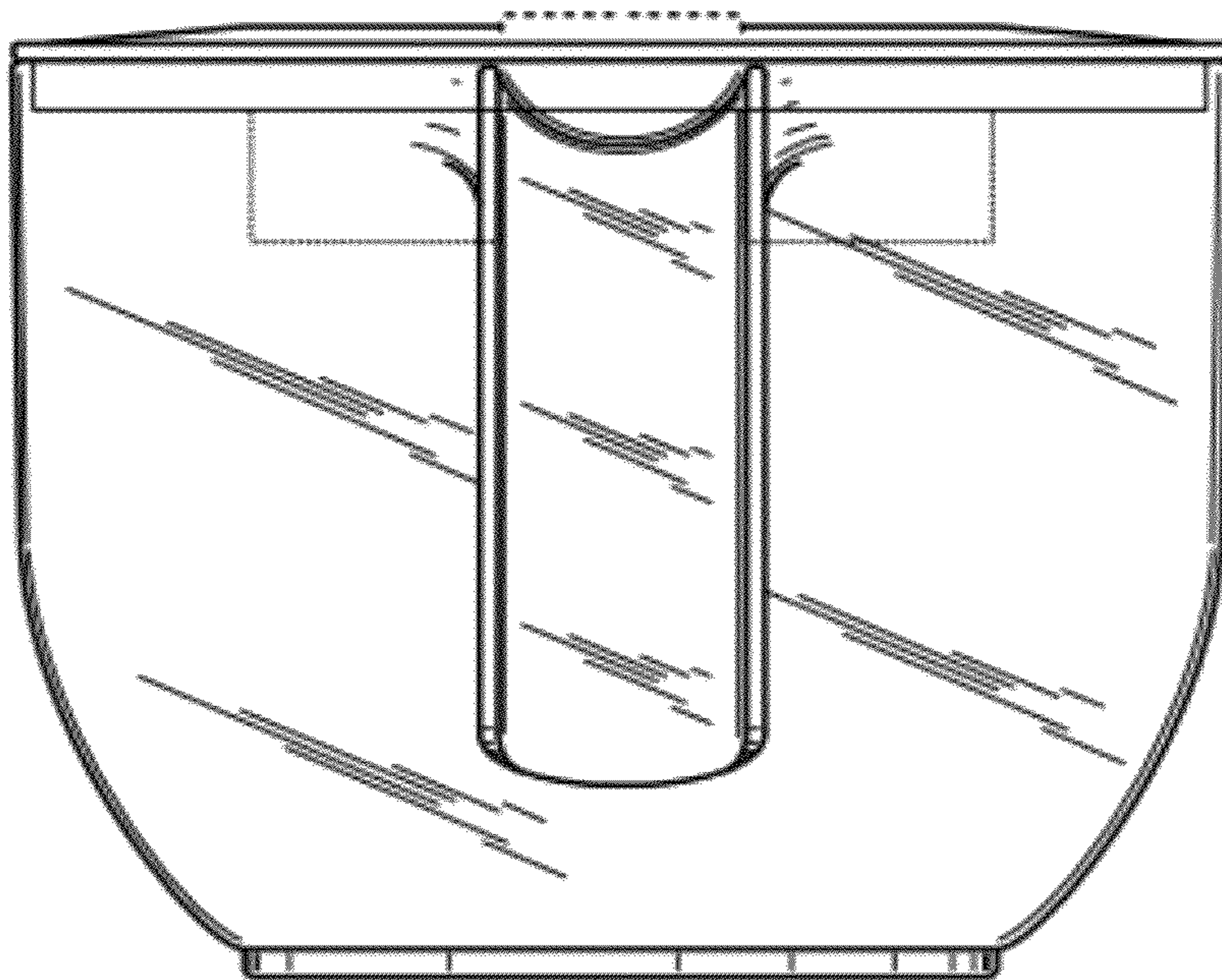


Fig. 3

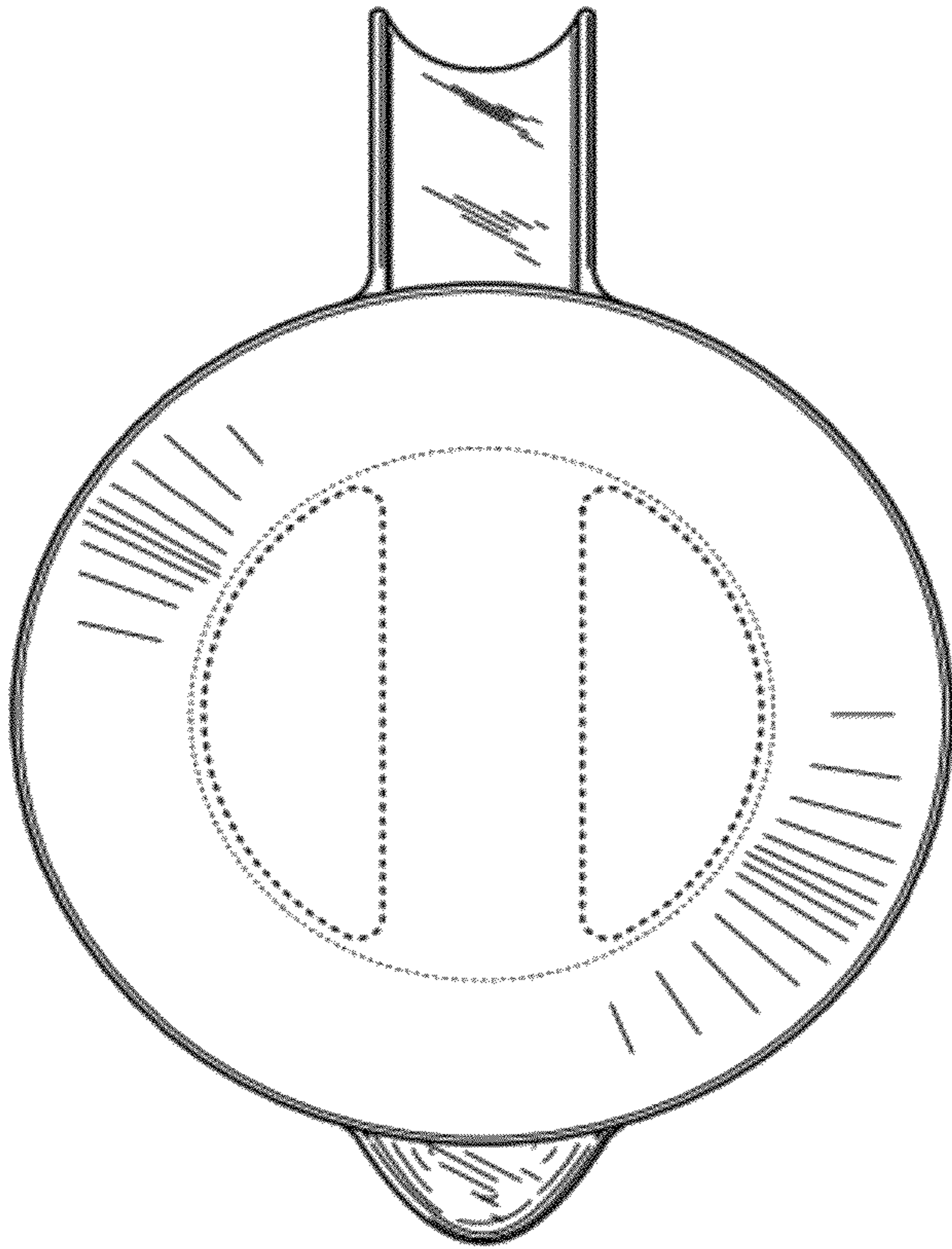


Fig. 4

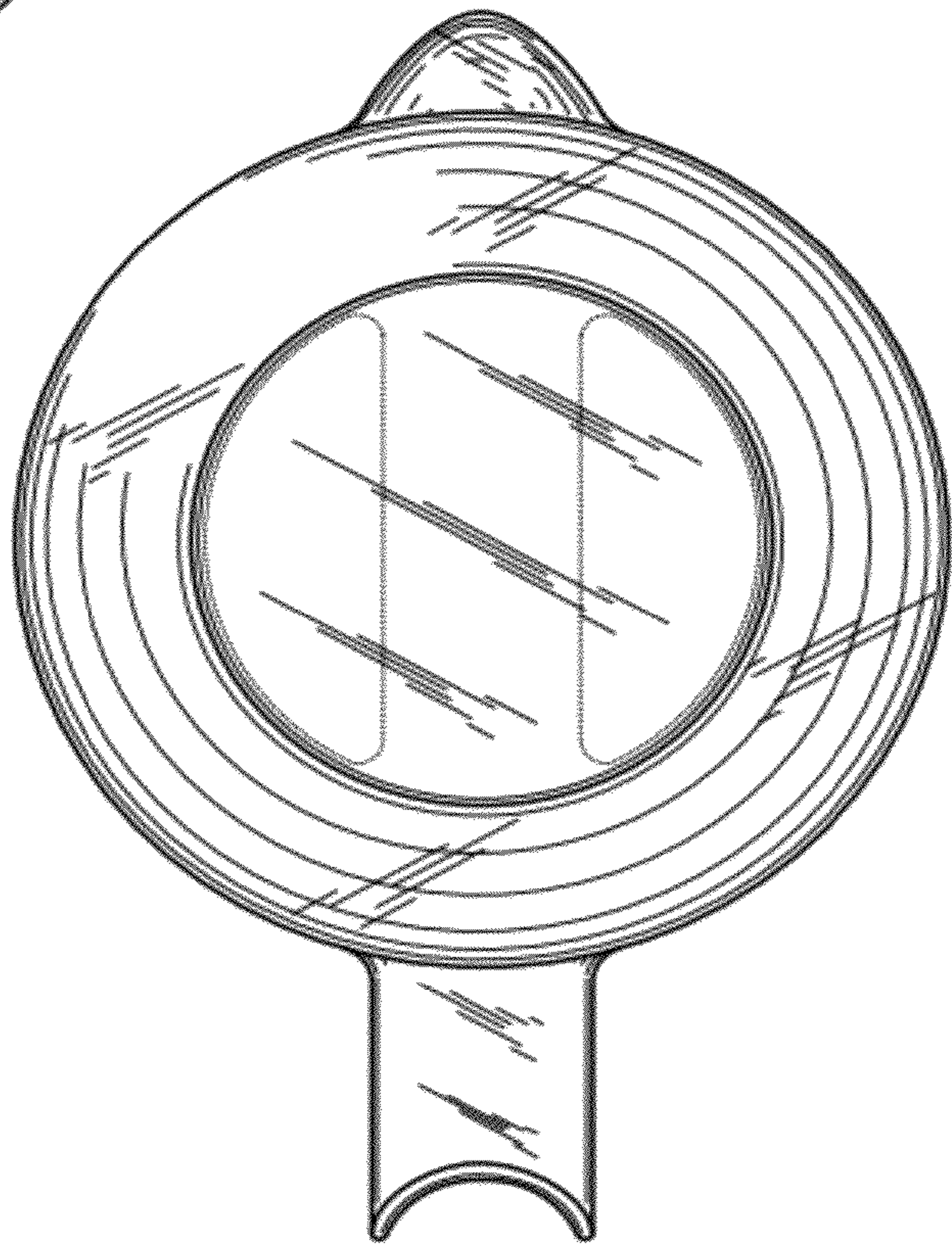


Fig. 5

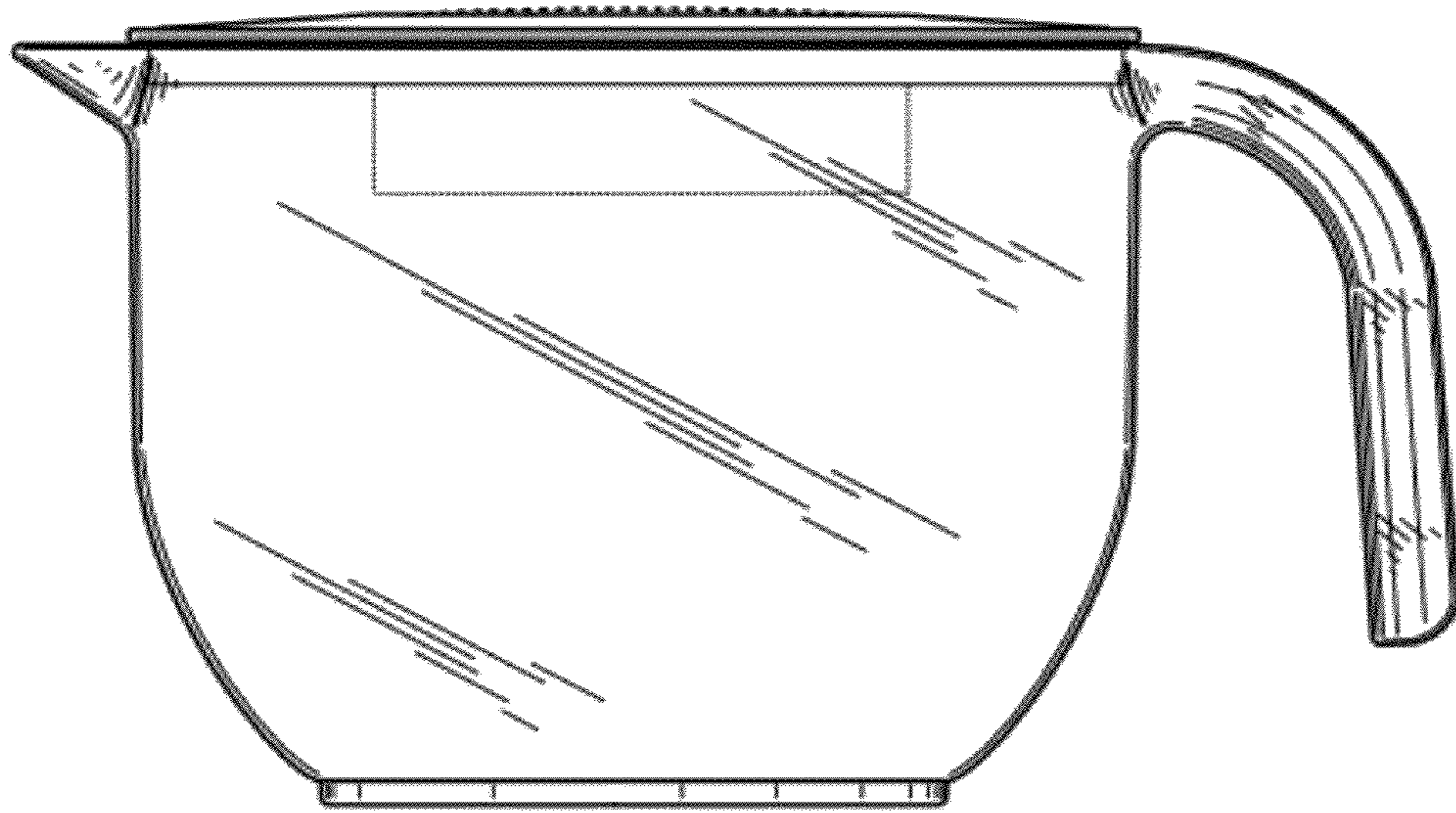


Fig. 6

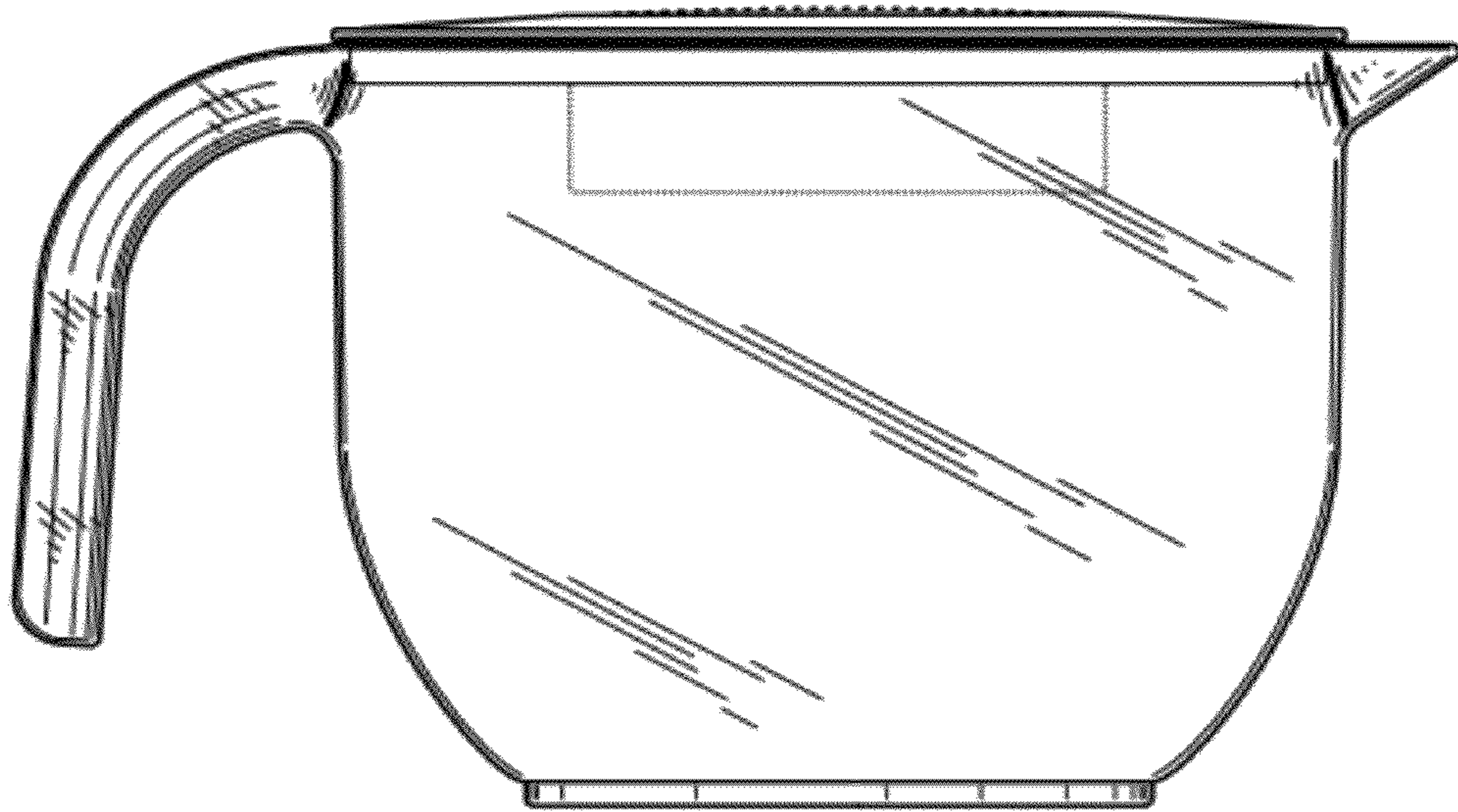


Fig. 7

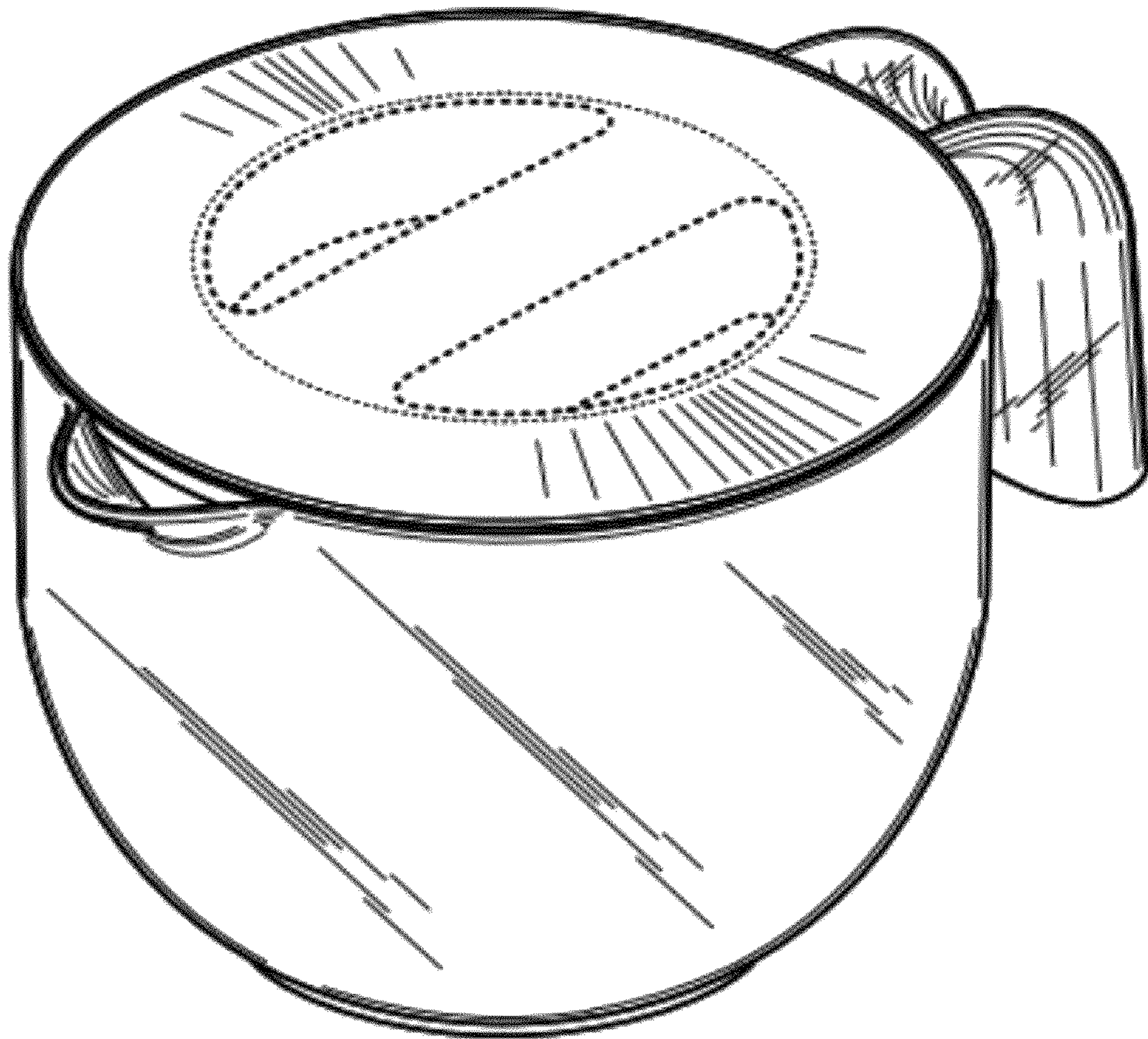


Fig. 8

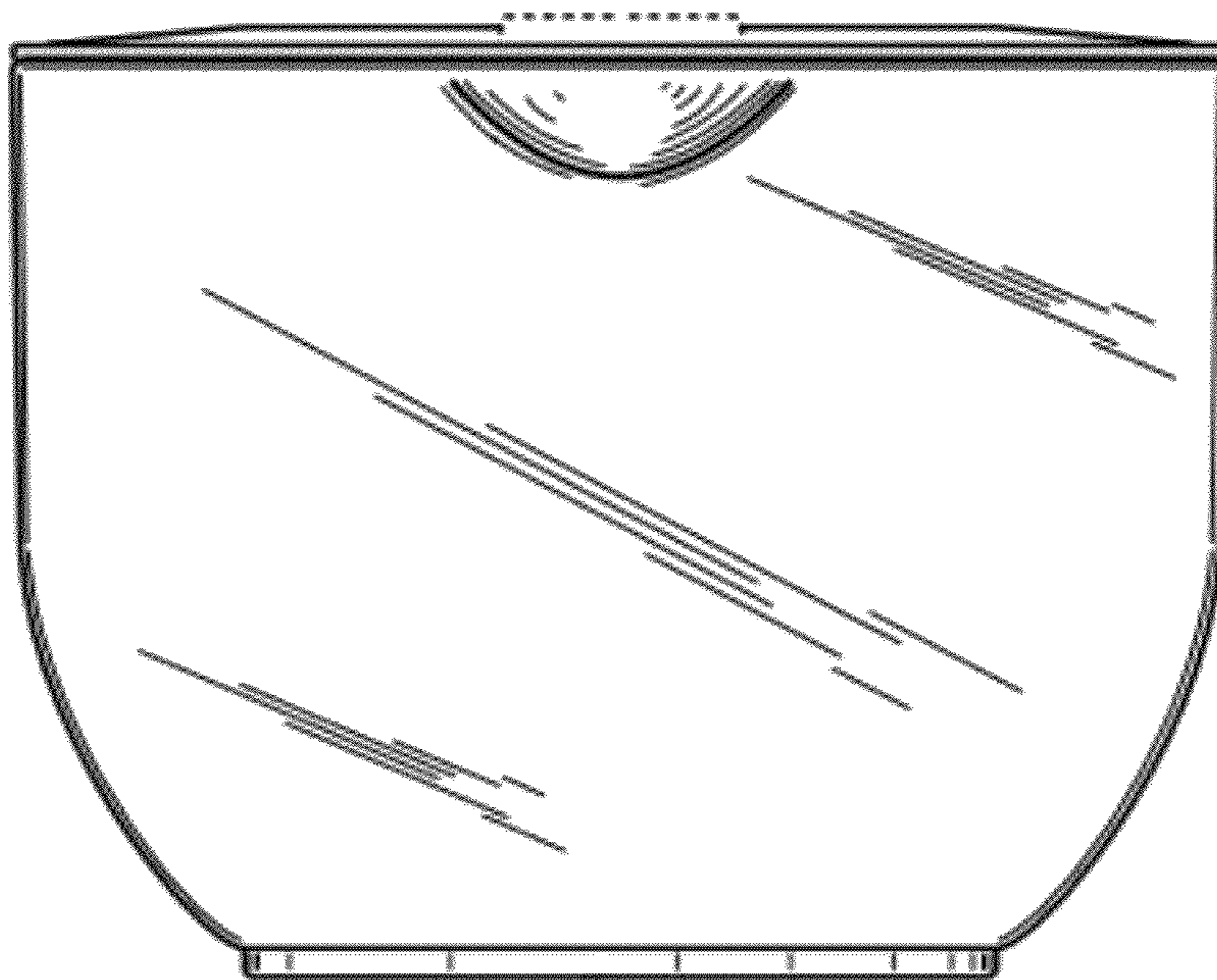


Fig. 9

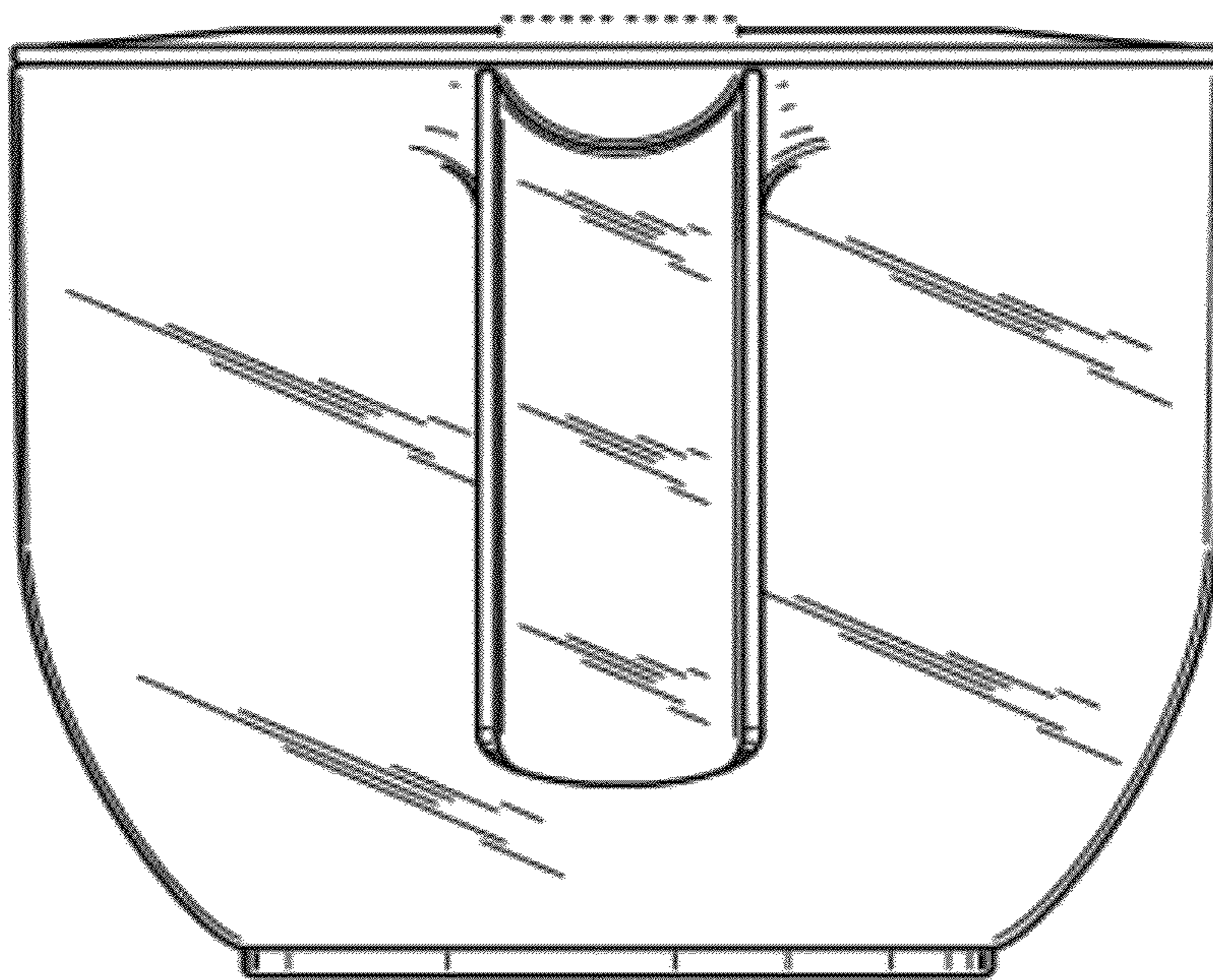


Fig. 10

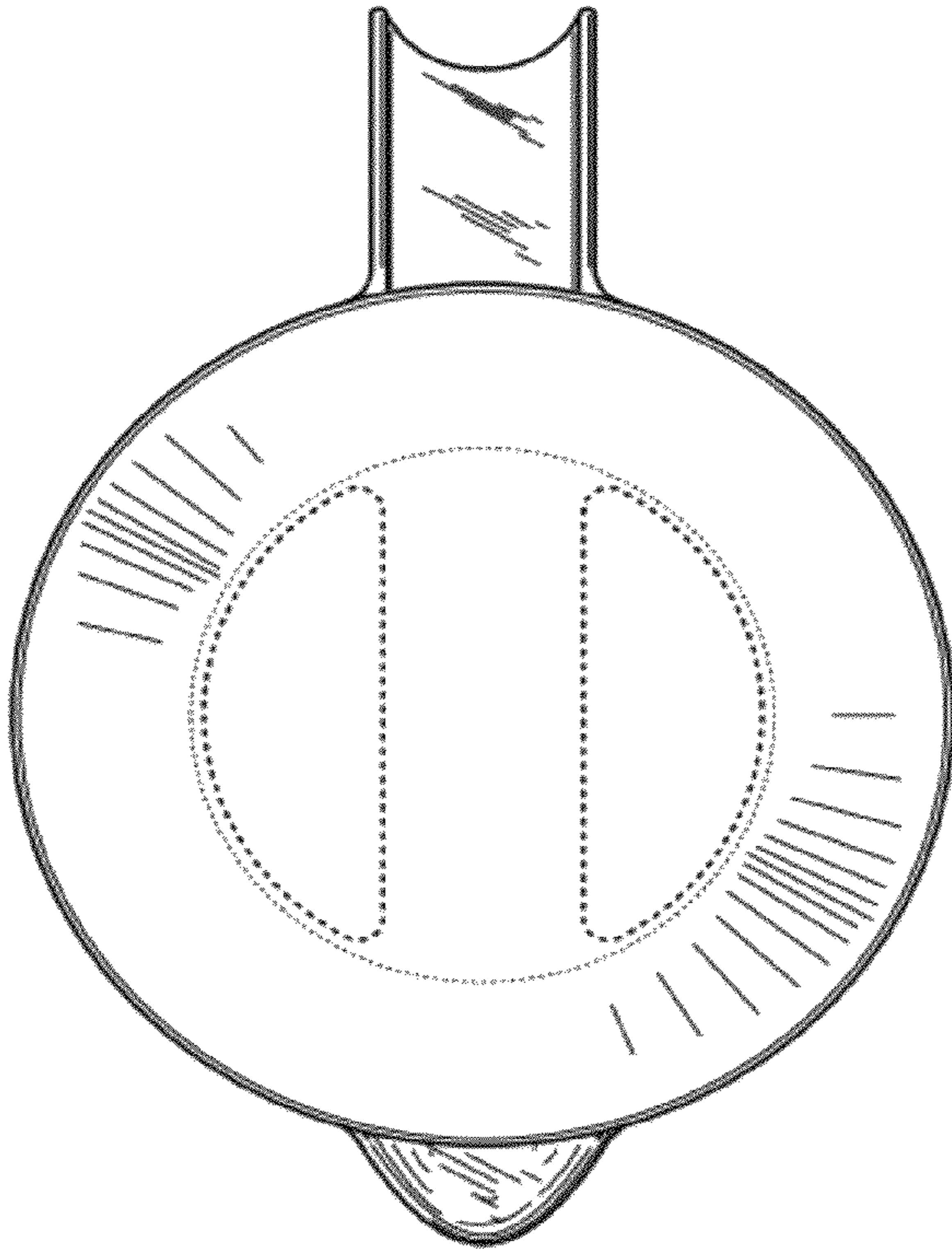


Fig. 11

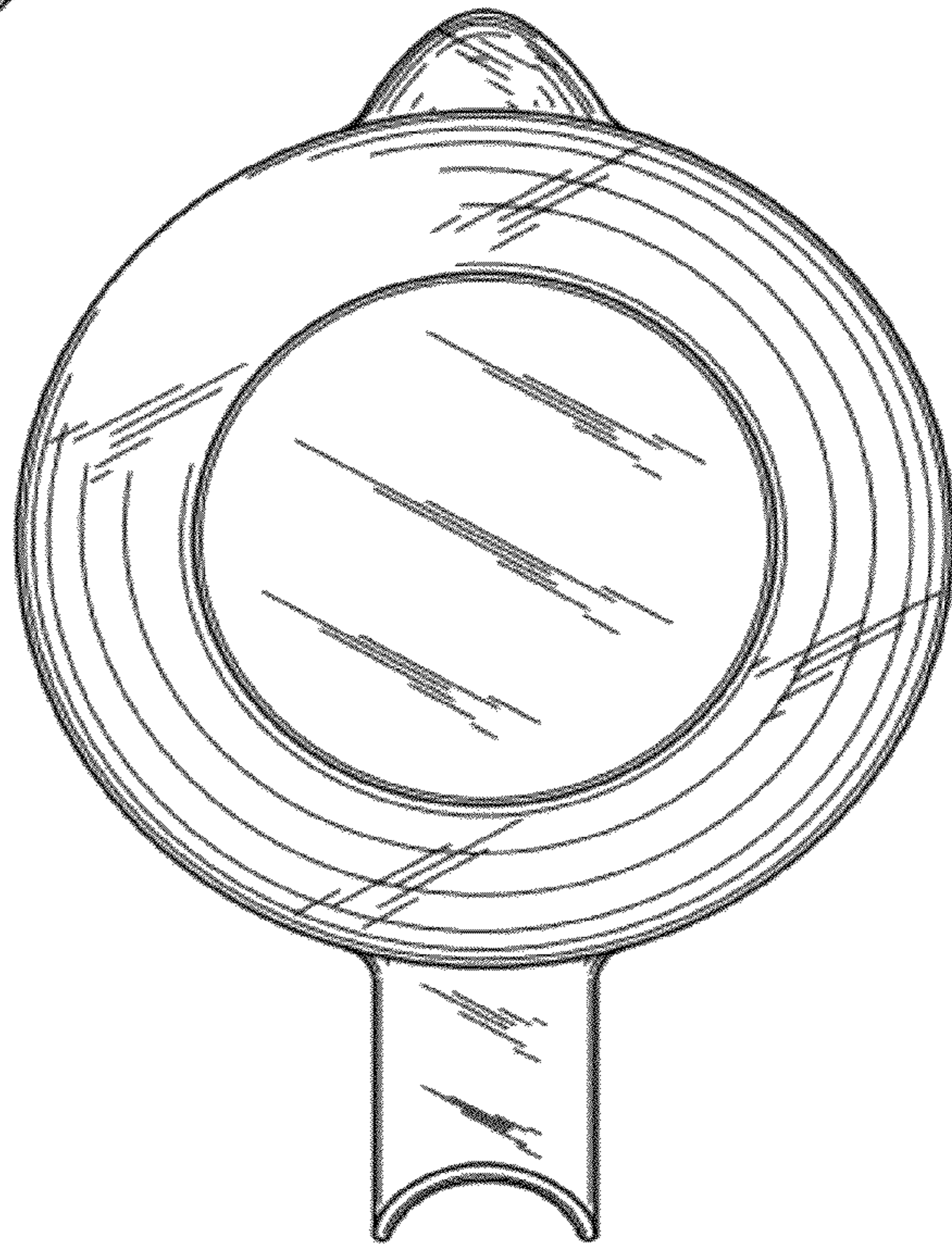


Fig. 12

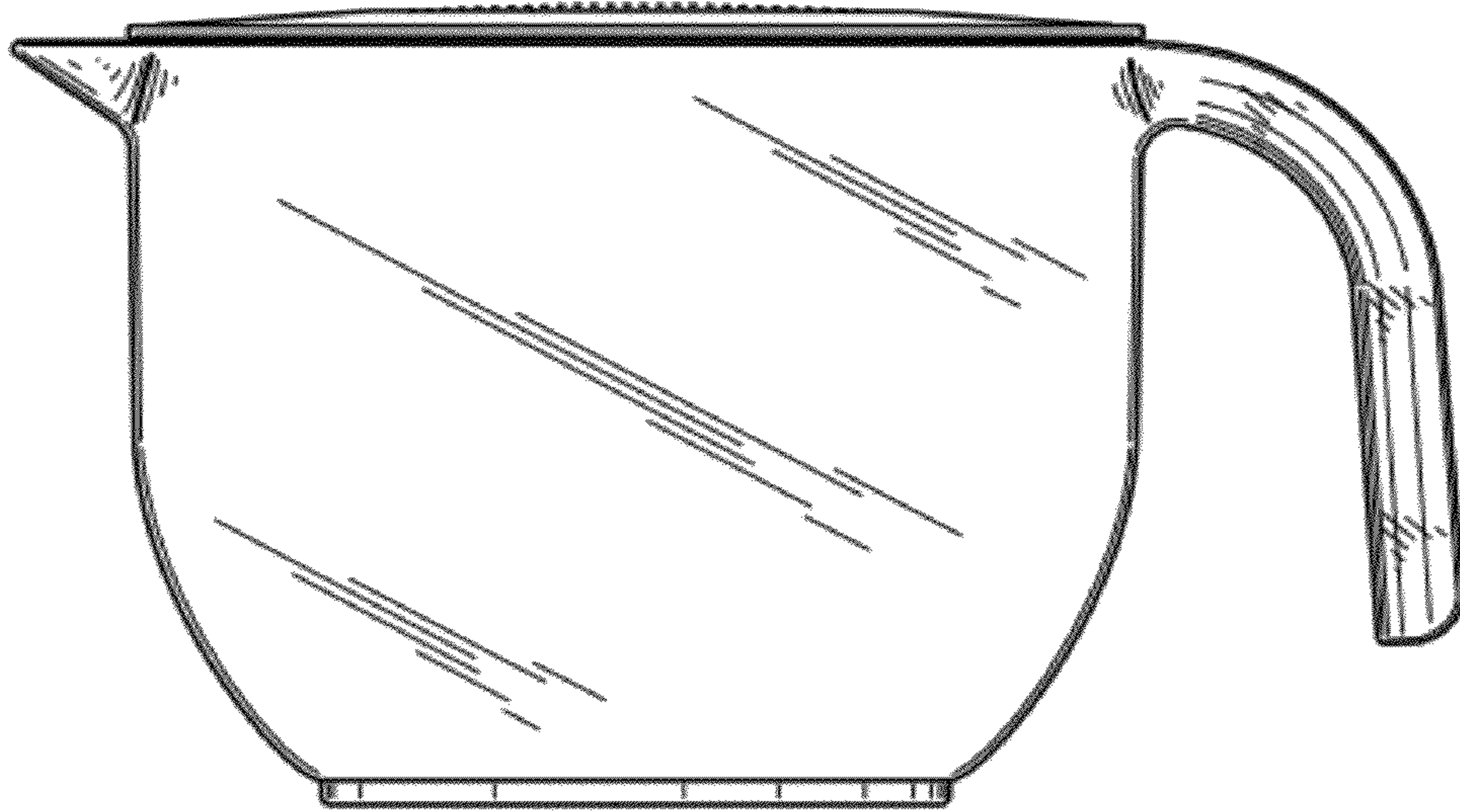


Fig. 13

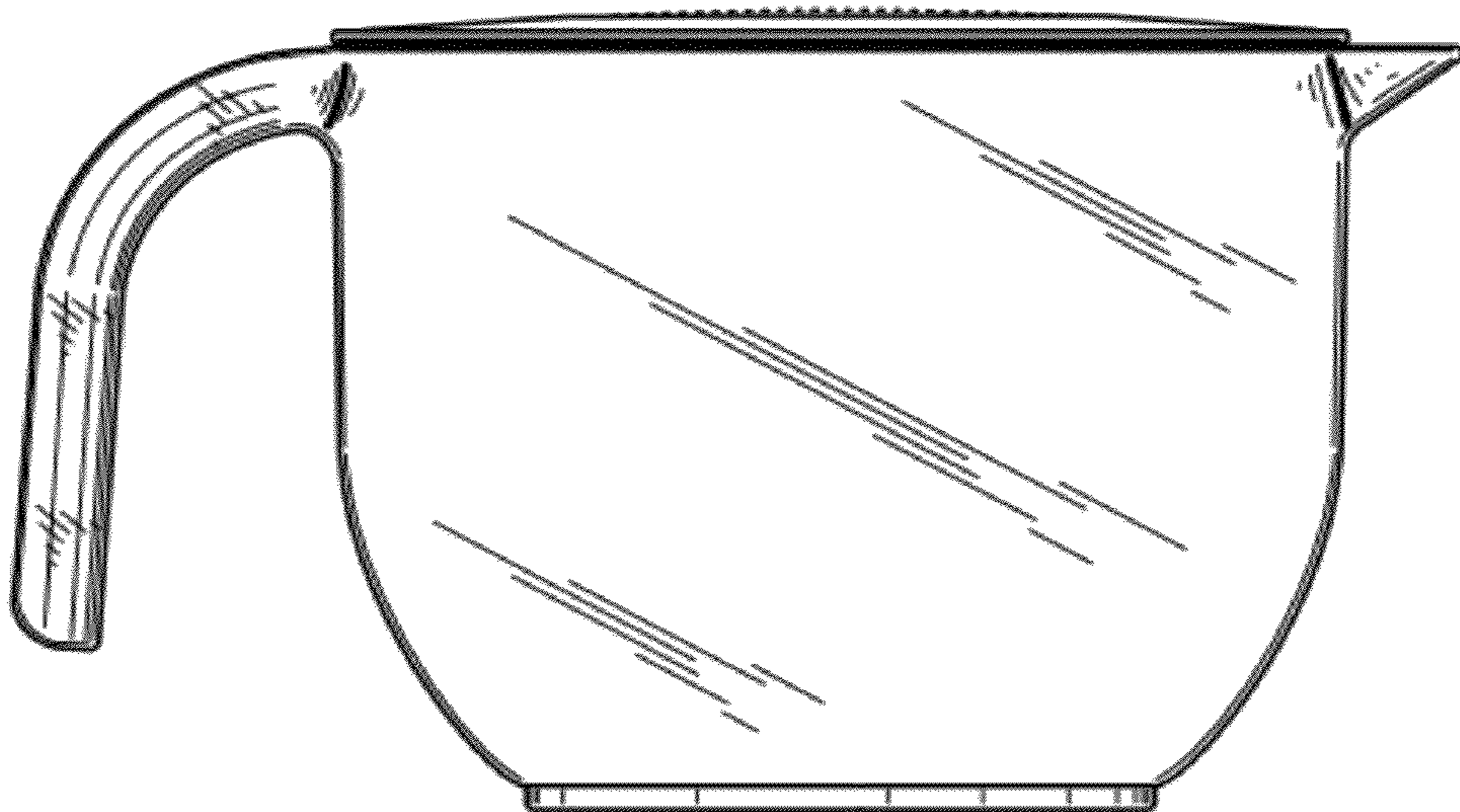


Fig. 14