

US00D660183S

(12) **United States Design Patent**  
**Giannini**

(10) **Patent No.:** **US D660,183 S**

(45) **Date of Patent:** **\*\* May 22, 2012**

(54) **PENDANT WATCH**

(75) Inventor: **Frida Giannini**, Florence (IT)

(73) Assignee: **Luxury Timepieces International SA**,  
Cortailod (CH)

(\*\*) Term: **14 Years**

(21) Appl. No.: **29/406,645**

(22) Filed: **Nov. 17, 2011**

(30) **Foreign Application Priority Data**

Jun. 7, 2011 (CH) ..... 138 000

(51) **LOC (9) Cl.** ..... **10-02**

(52) **U.S. Cl.** ..... **D10/30; D10/31**

(58) **Field of Classification Search** ..... D10/30-39,  
D10/122-132; D11/2, 79, 7; 368/276, 277,  
368/278, 301, 305

See application file for complete search history.

(56) **References Cited**

**U.S. PATENT DOCUMENTS**

920,433	A *	5/1909	Cohen	.....	368/286
1,077,025	A *	10/1913	Whitehead	.....	63/18
1,194,484	A *	8/1916	Depollier	.....	368/277
1,260,539	A *	3/1918	Hertz	.....	368/278
1,657,559	A *	1/1928	Taylor	.....	368/288
D154,210	S *	6/1949	Okun	.....	D3/208
D157,702	S *	3/1950	Reilly	.....	D28/77
2,591,078	A *	4/1952	Lazrus	.....	224/172
2,811,294	A *	10/1957	Sand	.....	224/172
D185,969	S *	8/1959	Katz	.....	D10/30

D202,642	S *	10/1965	Frost	.....	D10/128
D214,579	S *	7/1969	Hanhart	.....	D10/31
4,174,798	A *	11/1979	Pollard	.....	224/674
D256,560	S *	8/1980	van Eyben	.....	D10/30
D300,409	S *	3/1989	Moser	.....	D10/30
D324,655	S *	3/1992	Bulgari	.....	D10/37
D379,117	S *	5/1997	Ortiz	.....	D3/20
D380,979	S *	7/1997	Perlmutter	.....	D11/79
D390,128	S *	2/1998	Toribio	.....	D10/32
D412,446	S *	8/1999	Tse	.....	D10/32
D575,167	S *	8/2008	Giannini	.....	D10/32
D600,138	S *	9/2009	Tang	.....	D10/30
D640,574	S *	6/2011	Giannini	.....	D10/32
D644,950	S *	9/2011	Cooper	.....	D10/128

\* cited by examiner

*Primary Examiner* — Lucy Lieberman

(74) *Attorney, Agent, or Firm* — Sughrue Mion, PLLC

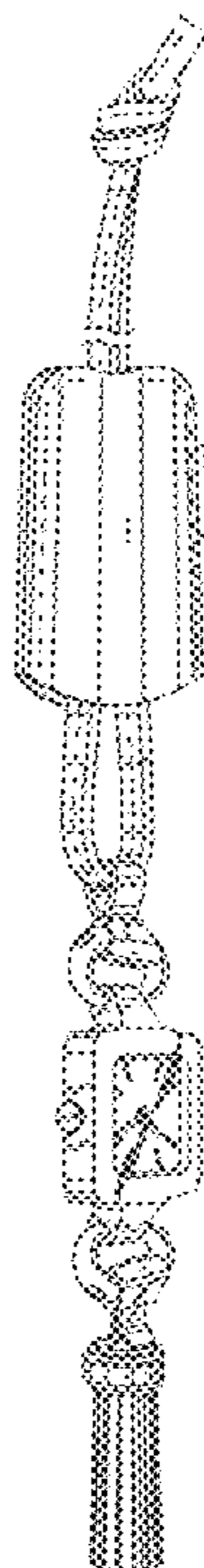
(57) **CLAIM**

The ornamental design for a pendant watch, as shown and described.

**DESCRIPTION**

FIG. 1 is a perspective view of the front and left side of a pendant watch showing my new design;  
FIG. 2 is a front elevational view thereof;  
FIG. 3 is a rear elevational view thereof;  
FIG. 4 is a left side elevational view thereof;  
FIG. 5 is a right side elevational view thereof;  
FIG. 6 is a top plan view thereof; and,  
FIG. 7 is a bottom plan view thereof.  
The strap is shown broken away in FIGS. 1 through 5 to indicate indeterminate length.

**1 Claim, 5 Drawing Sheets**



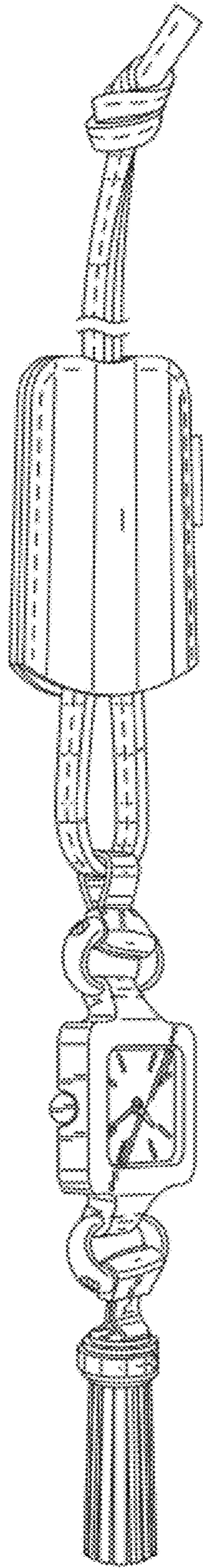


FIG. 1

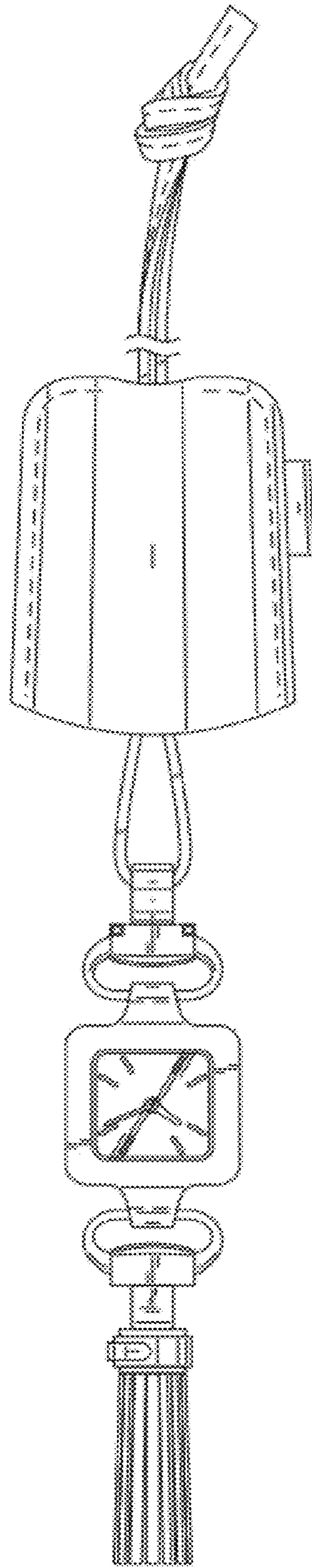


FIG. 2

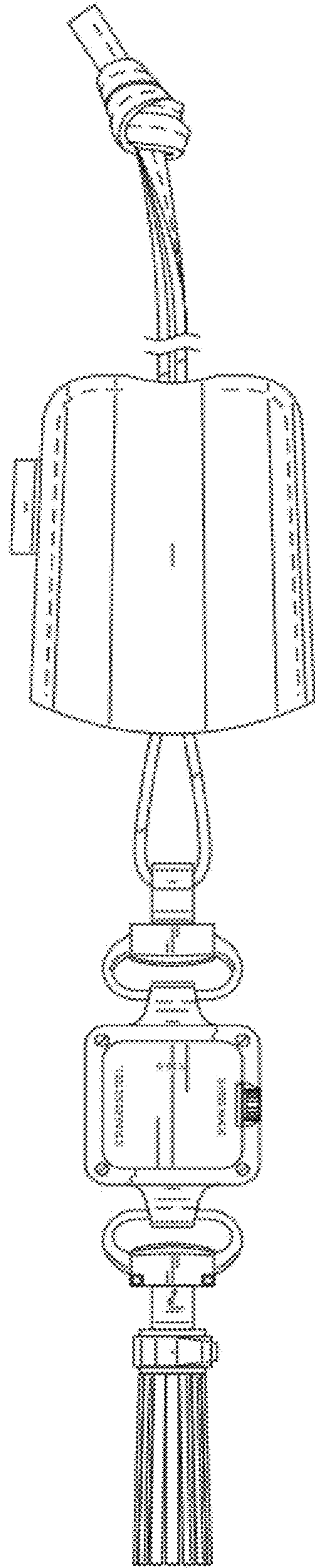


FIG. 3

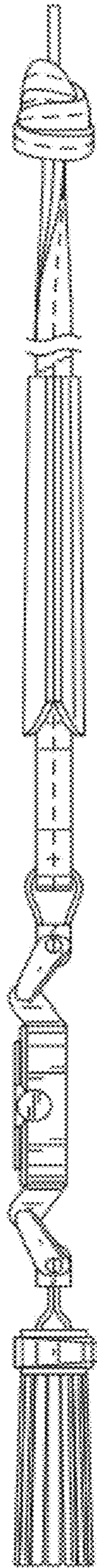


FIG. 4

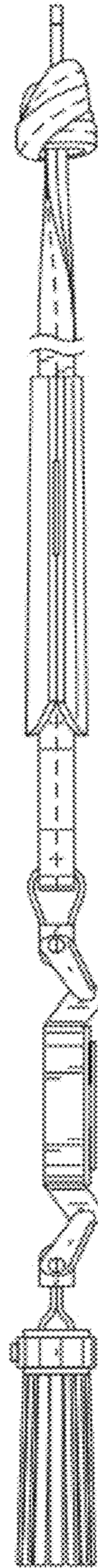


FIG. 5

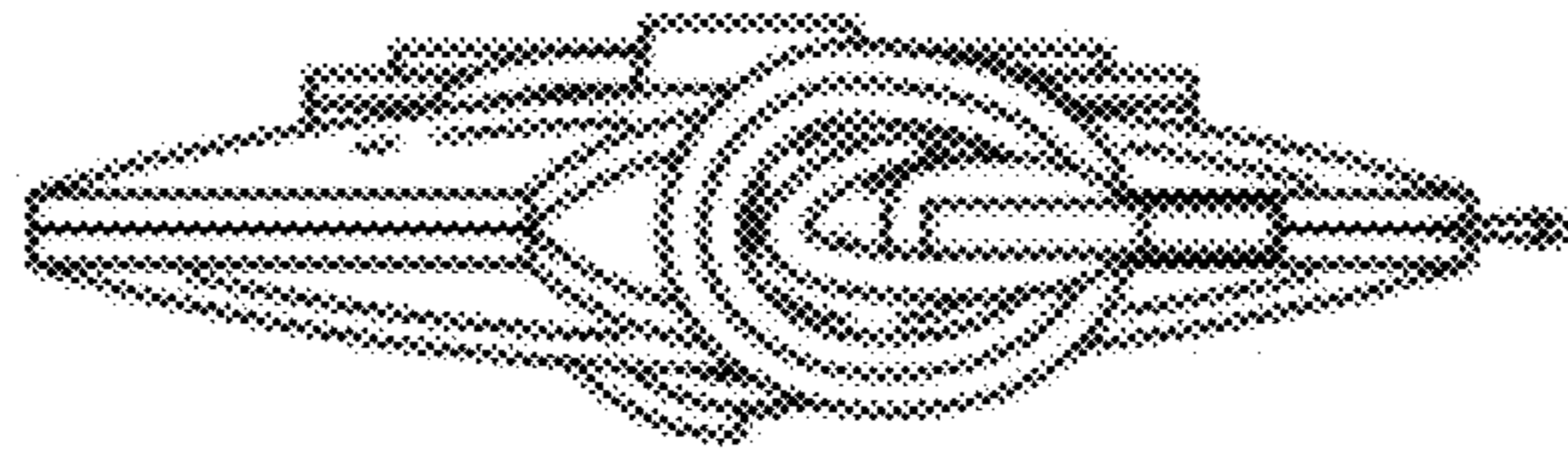


FIG. 6

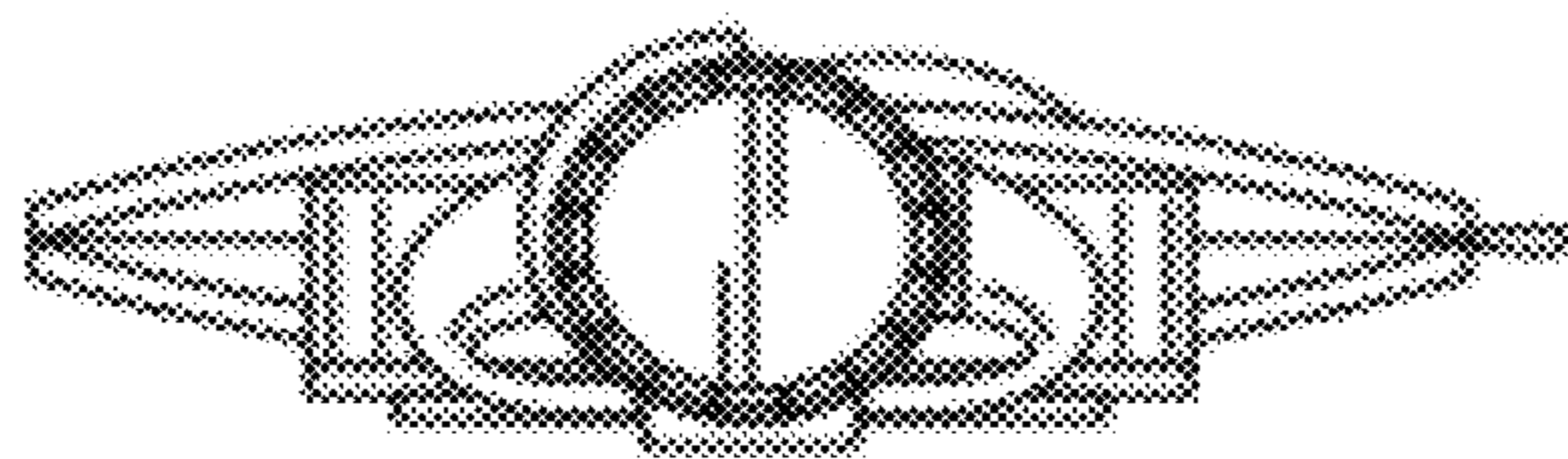


FIG. 7